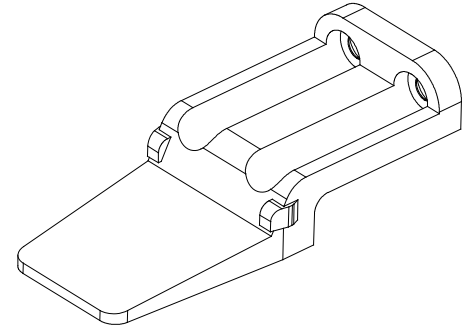
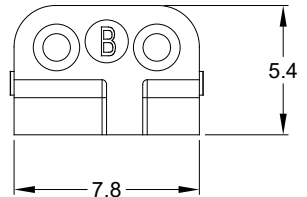
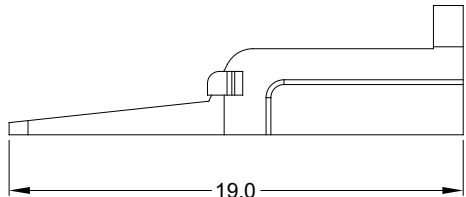
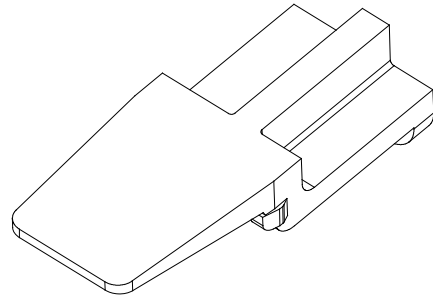
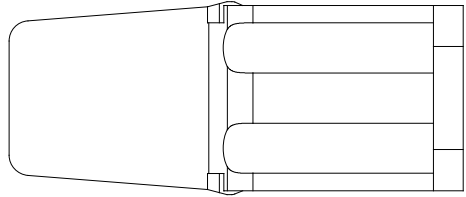


REVISIONS					
REV	ECO	DESCRIPTION	DATE	BY	APPR
A1	-	RELEASE	26/JUL/16	JONY	TOMMY



NOTES: UNLESS OTHERWISE SPECIFIED

1. MATERIAL: THERMOPLASTIC; COLOR: BLACK
2. RoHS COMPLIANT
3. CAVITIES: 2
4. KEYED: B KEYED
5. USE WITH CONNECTORS ATM06-2S\*  
(\* = MODIFICATIONS AND COLORS)
6. ALL DIMENSIONS ARE FOR REFERENCE USE ONLY.

AWM-2SB		REF: WM-2SB																			
PART NUMBER		DESCRIPTION																			
QUANTITY	MATERIALS LIST																				
<p>UNLESS OTHERWISE SPECIFIED</p> <p>1) All dimensions are in metric(mm).</p> <p>2) Tolerances are as follows:</p> <table border="0"> <tr> <td>1 PL DEC ±0.30</td> <td>Fractions ±1/64</td> </tr> <tr> <td>2 PL DEC ±0.15</td> <td>Angles ±1°</td> </tr> <tr> <td>3 PL DEC ±0.08</td> <td></td> </tr> </table> <p>3) Note reference = </p>		1 PL DEC ±0.30	Fractions ±1/64	2 PL DEC ±0.15	Angles ±1°	3 PL DEC ±0.08		<table border="1"> <thead> <tr> <th>SIGNATURES</th> <th>DATE</th> </tr> </thead> <tbody> <tr> <td>DRAWN: JONY</td> <td>26/JUL/16</td> </tr> <tr> <td>CHECKED: Orion</td> <td>26/JUL/16</td> </tr> <tr> <td>ENGINEER:</td> <td></td> </tr> <tr> <td>APPROVAL: Tommy</td> <td>26/JUL/16</td> </tr> <tr> <td>CUSTOMER:</td> <td></td> </tr> </tbody> </table>		SIGNATURES	DATE	DRAWN: JONY	26/JUL/16	CHECKED: Orion	26/JUL/16	ENGINEER:		APPROVAL: Tommy	26/JUL/16	CUSTOMER:	
1 PL DEC ±0.30	Fractions ±1/64																				
2 PL DEC ±0.15	Angles ±1°																				
3 PL DEC ±0.08																					
SIGNATURES	DATE																				
DRAWN: JONY	26/JUL/16																				
CHECKED: Orion	26/JUL/16																				
ENGINEER:																					
APPROVAL: Tommy	26/JUL/16																				
CUSTOMER:																					
MATERIAL SPECIFICATIONS:		<p><b>Amphenol</b></p> <p>Sine Systems - www.amphenol-sine.com 44724 Morley Drive Clinton Township, MI 48036</p>																			
PROCESS SPECIFICATIONS:		<p>S-WEDGELOCK, 2 POS, B KEYED, ATM SERIES</p>																			
NEXT ASSY:		<table border="1"> <tr> <td>SIZE</td> <td>TYPE</td> <td>DWG NO:</td> <td>REVISION</td> </tr> <tr> <td>B</td> <td>C-</td> <td>AWM-2SB</td> <td>A1</td> </tr> </table>	SIZE	TYPE	DWG NO:	REVISION	B	C-	AWM-2SB	A1	<table border="1"> <tr> <td>SCALE:</td> <td>SHEET</td> <td>OF</td> </tr> <tr> <td>NONE</td> <td>1</td> <td>1</td> </tr> </table>	SCALE:	SHEET	OF	NONE	1	1				
SIZE	TYPE	DWG NO:	REVISION																		
B	C-	AWM-2SB	A1																		
SCALE:	SHEET	OF																			
NONE	1	1																			