

REVISIONS					
P	LTR	DESCRIPTION	DATE	DWN	APVD
AA1		ECO-21-006679	16JUN2021	RK	AS

- FOR ADDITIONAL SPECIFICATIONS SEE AMP PRODUCT SPEC 108-7519.
- SWITCH HAS MAKE-BEFORE-BREAK OPERATION.
- ALL CHARACTERS AND ROCKERS ARE WHITE, HOUSING IS BLACK.
- LASER MARK WILL VARY ON 2 POSITION SIDES DUE TO SPACE RESTRICTIONS.
- .315 DIMENSION APPLIES AT TERMINAL TIPS. TERMINALS ARE $.300^{+.010}_{-.000}$ AT MOUNTING SURFACE.
- SWITCH POSITIONS ARE CLOSED WHEN ROCKERS ARE DOWN TOWARD DOTS.
- ALL MATERIALS AND FINISHES SHALL COMPLY WITH EU DIRECTIVE 2002/95/EC OF 27JAN2003 (ROHS).
- OBSOLETE PARTS: OBSOLETE CIS STREAMLINING PER D.RENAUD/D.SINISI
- MARKS WILL BE ADDED BY LASER MARK PROCESS.

	FIG 1	FIG 3	.48	DPDT	4	8-435470-1
OBSOLETE	-FIG 1	AS SHOWN	1.28	SPDT	12	7-435470-6
	-FIG 1	AS SHOWN	1.08	SPDT	10	7-435470-5
	-FIG 1	AS SHOWN	.88	SPDT	8	7-435470-4
	-FIG 1	AS SHOWN	.48	SPDT	4	7-435470-2
	FIG 1	FIG 4	.28	SPDT	2	7-435470-1
OBSOLETE	AS SHOWN	FIG 2	.88	DPDT	8	5-435470-9
	AS SHOWN	FIG 4	.28	SPDT	2	5-435470-7
	AS SHOWN	FIG 3	.48	DPDT	4	5-435470-5
	AS SHOWN	AS SHOWN	.88	SPDT	8	5-435470-3
	AS SHOWN	AS SHOWN	.68	SPDT	6	5-435470-2
	AS SHOWN	AS SHOWN	.48	SPDT	4	5-435470-1
OBSOLETE	FIG 1	FIG 2	1.28	DPDT	12	3-435470-3
SUPERSEDED BY 435470-9	FIG 1	FIG 2	.88	DPDT	8	3-435470-2
	FIG 1	FIG 3	.48	DPDT	4	3-435470-1
OBSOLETE	FIG 1	NONE	.88	SPDT	8	2-435470-7
OBSOLETE	-FIG 1	AS SHOWN	1.28	SPDT	12	2-435470-6
	-FIG 1	AS SHOWN	1.08	SPDT	10	2-435470-5
	FIG 1	AS SHOWN	.88	SPDT	8	2-435470-4
OBSOLETE	FIG 1	AS SHOWN	.68	SPDT	6	2-435470-3
OBSOLETE	-FIG 1	AS SHOWN	.48	SPDT	4	2-435470-2
	-FIG 1	FIG 4	.28	SPDT	2	2-435470-1
	AS SHOWN	FIG 2	.88	DPDT	8	435470-9
SUPERSEDED BY 2-435470-6	AS SHOWN	AS SHOWN	1.28	SPDT	12	435470-8
	AS SHOWN	FIG 4	.28	SPDT	2	435470-7
	AS SHOWN	FIG 3	.48	DPDT	4	435470-5
SUPERSEDED BY 2-435470-5	AS SHOWN	AS SHOWN	1.08	SPDT	10	435470-4
	AS SHOWN	AS SHOWN	.88	SPDT	8	435470-3
	AS SHOWN	AS SHOWN	.68	SPDT	6	435470-2
435470-3 SHOWN	OBSOLETE	AS SHOWN	.48	SPDT	4	435470-1

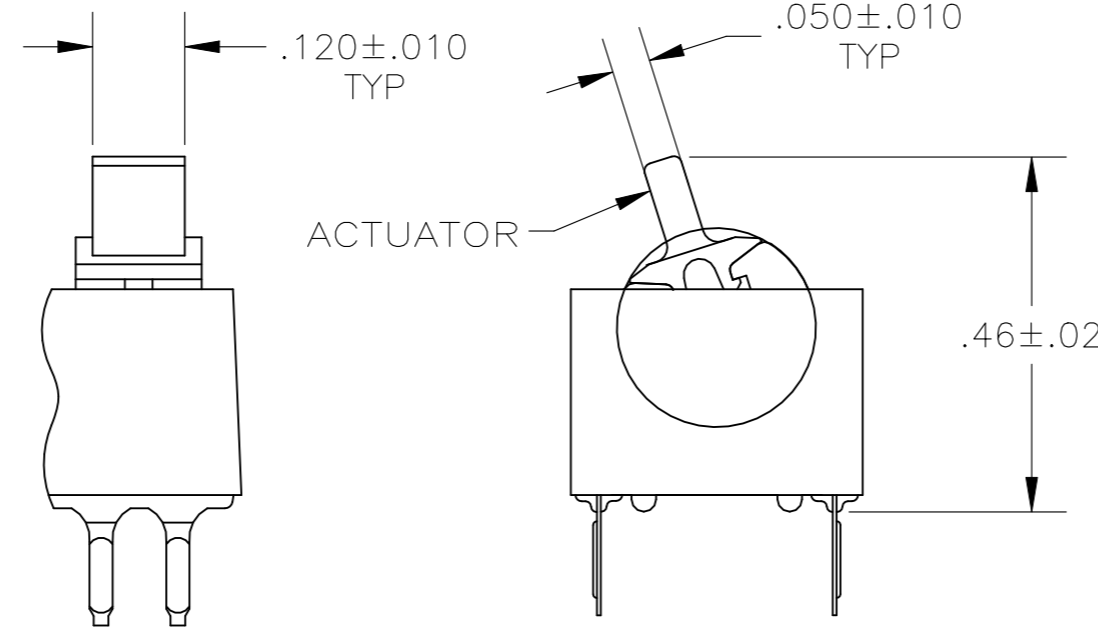
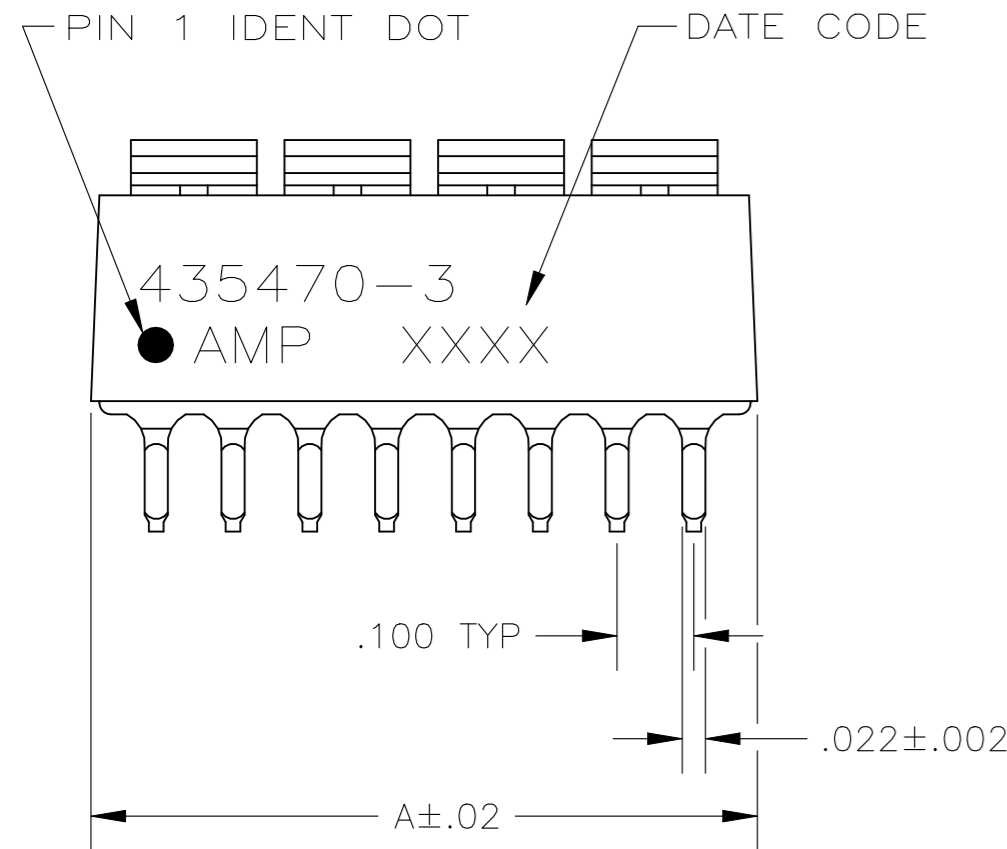
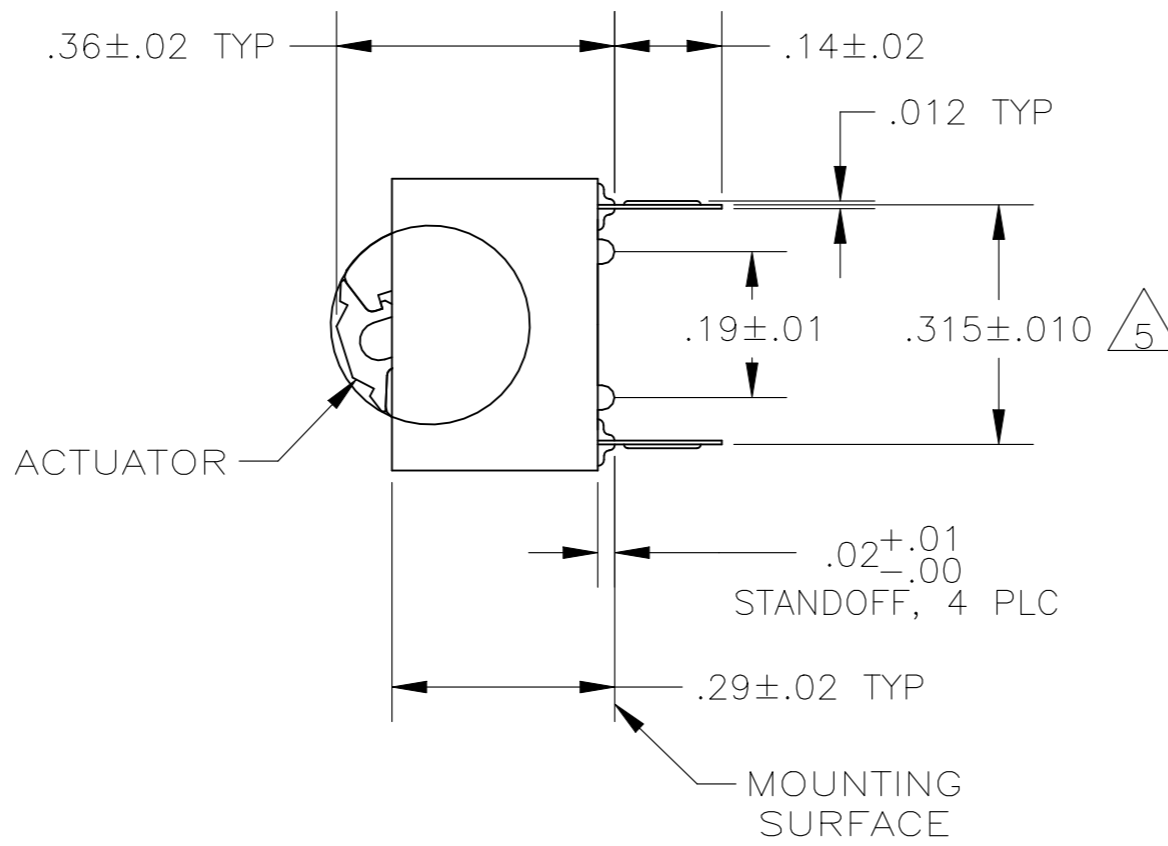
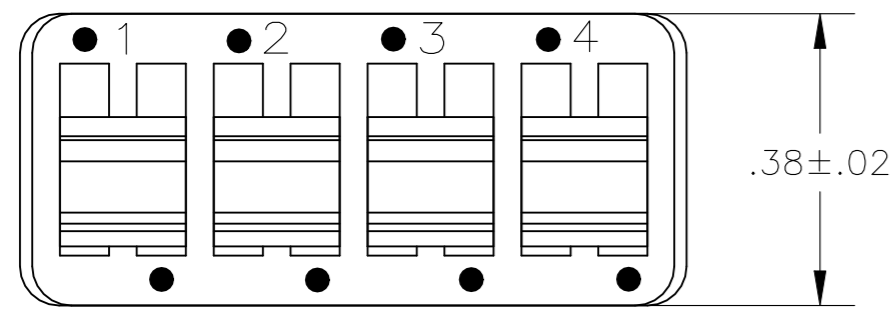


FIGURE 1 LEVER ACTUATOR SHOWN

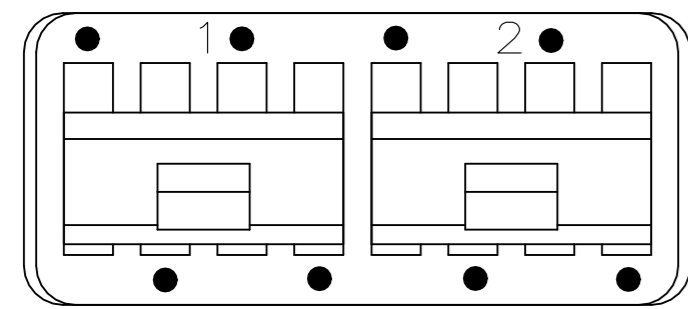


FIGURE 2

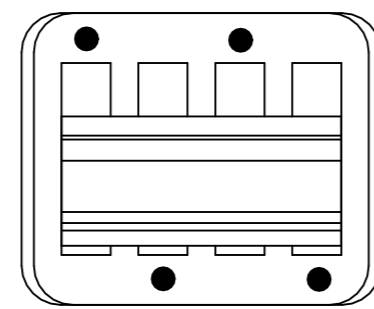


FIGURE 3

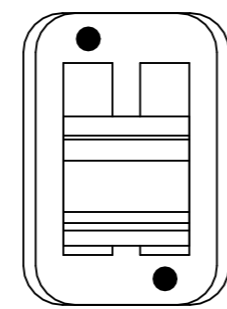
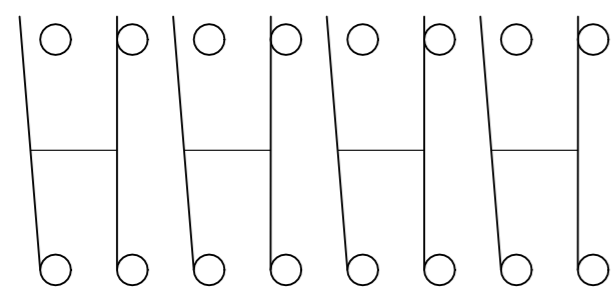
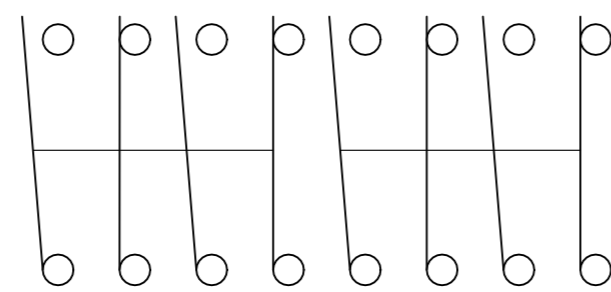


FIGURE 4



SPDT



DPDT

CONTACT ARRANGEMENT

THIS DRAWING IS A CONTROLLED DOCUMENT.		DWN R.TALLEY 15MAR90	TE Connectivity	
DIMENSIONS: INCHES		CHK R.MILLER 27MAR90	NAME	
TOLERANCES UNLESS OTHERWISE SPECIFIED:		APVD H.LEITER 27MAR90	SWITCH ASSY, DIP, TYPE C, 7000 SERIES, SPDT & DPDT	
0 PLC ± -		PRODUCT SPEC	SIZE A2	CAGE CODE 00779
1 PLC ± -		APPLICATION SPEC	DRAWING NO C=435470	RESTRICTED TO
2 PLC ± -		FINISH CONTACTS; PLATED .00030 MIN GOLD IN CONTACT AREA OVER .00050 MIN NICKEL	SCALE 4:1	SHEET 1 OF 1
3 PLC ± .005		WEIGHT -	REV AA1	
4 PLC ± -		CUSTOMER DRAWING		
ANGLES ± -				
MATERIAL HOUSING & ROCKER: POLYESTER CONTACTS; BERYLLIUM COPPER				