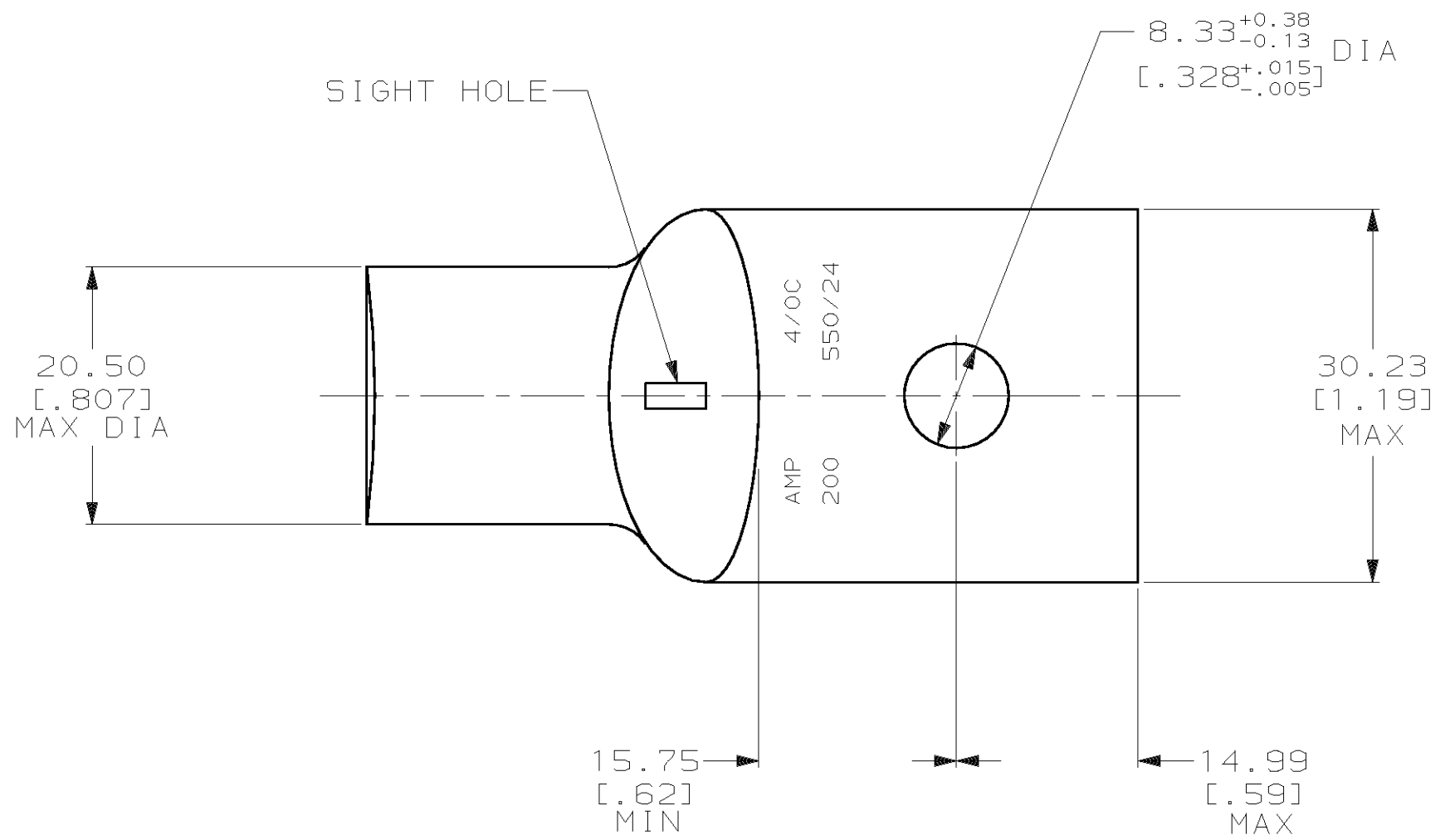
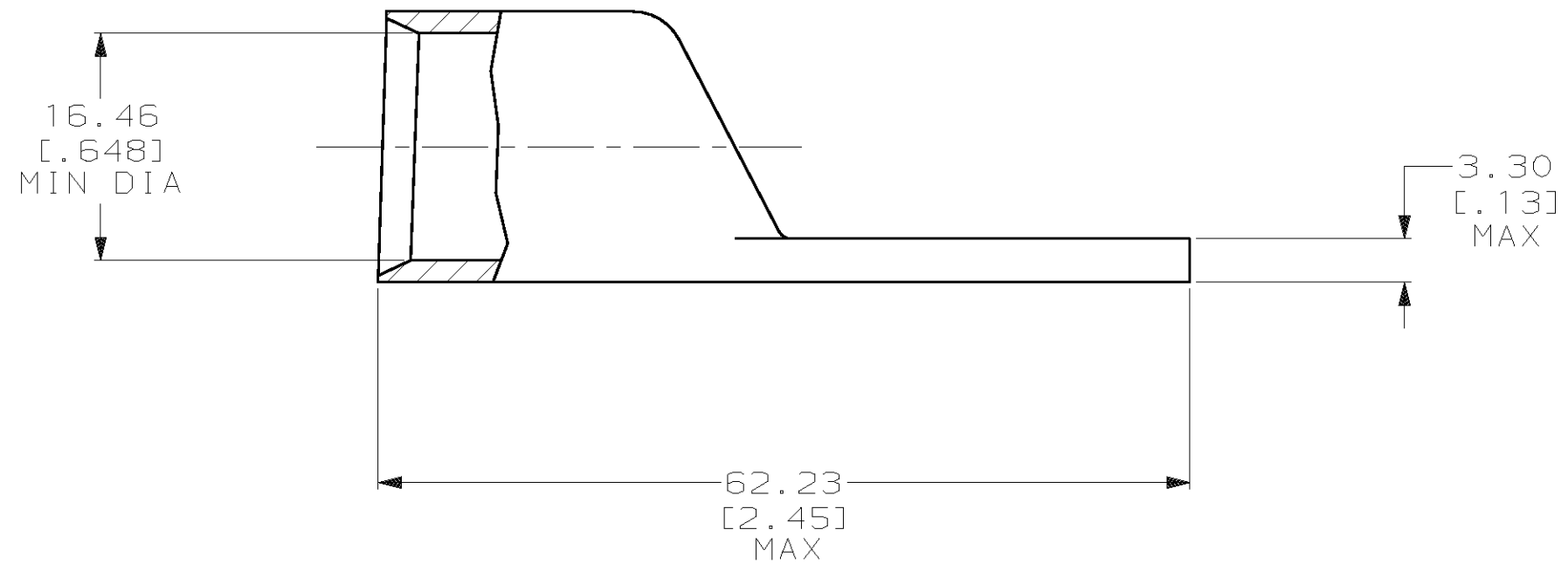


THIS DRAWING IS UNPUBLISHED. RELEASED FOR PUBLICATION, 19 .  
 © COPYRIGHT 19 BY AMP INCORPORATED. ALL INTERNATIONAL RIGHTS RESERVED.

LOC	DIST	P	F	ZONE	LTR	DESCRIPTION	DATE	APPD
G	86					REV PER 063A-0561-01	07OCT02	JR MS




1 CIRCULAR MIL RANGE: 190,000-231,000 CM



325602

PART NO

DO NOT SCALE PRINT. UNLESS SPECIFIED DIMENSIONS IN mm [INCHES] TOLERANCES ON : 2 PLC DEC ± 0.51 [.020] 3 PLC DEC ± - ANGLES ± -		DR 02/28/90 DK SCHRUM	 AMP Incorporated Harrisburg, PA 17105-3608
MATERIAL COPPER ASTM B-75 ANNEALED		CHK 08/12/92 AJ KAUFMAN	
FINISH TIN PLATE 0.00381 [.000150] MIN THK PER MIL-T-10727		APPD 08/12/92 WJ VOCKROTH	NAME TERMINAL, RECTANGULAR TONGUE, AMPOWER™ WIRE SIZE: 105.0mm <sup>2</sup> [4/0] AWG
THIS DRAWING IS A CONTROLLED DOCUMENT FOR AMP INCORPORATED. IT IS SUBJECT TO CHANGE AND THE CONTROLLING ENGINEERING ORGANIZATION SHOULD BE CONTACTED FOR THE LATEST REVISION.		APPD 08/12/92 CR RHOADS	SIZE C 00779
		PRODUCT SPEC -	DRAWING NO C-325602
		APPLICATION SPEC -	SCALE 2:1
		WEIGHT -	SHEET 1 OF 1