

MODELS:

# SRX42UBDP / SRX42UBDPEXP

## SmartRack® Euro-Series Deep Rack Enclosure



42 Rack Units



1360 kg  
Stationary  
Load Capacity



1020 kg  
Rolling  
Load Capacity



Heavy-Duty  
Casters



Locking Doors &  
Side Panels



Standard  
19-inch  
(48.3 cm)  
Rack Width



Toolless  
Mounting Slots



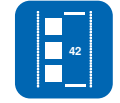
Adjustable  
Rails with  
Easy-View  
Depth Index



Airflow  
Exceeds  
Server OEM  
Requirements



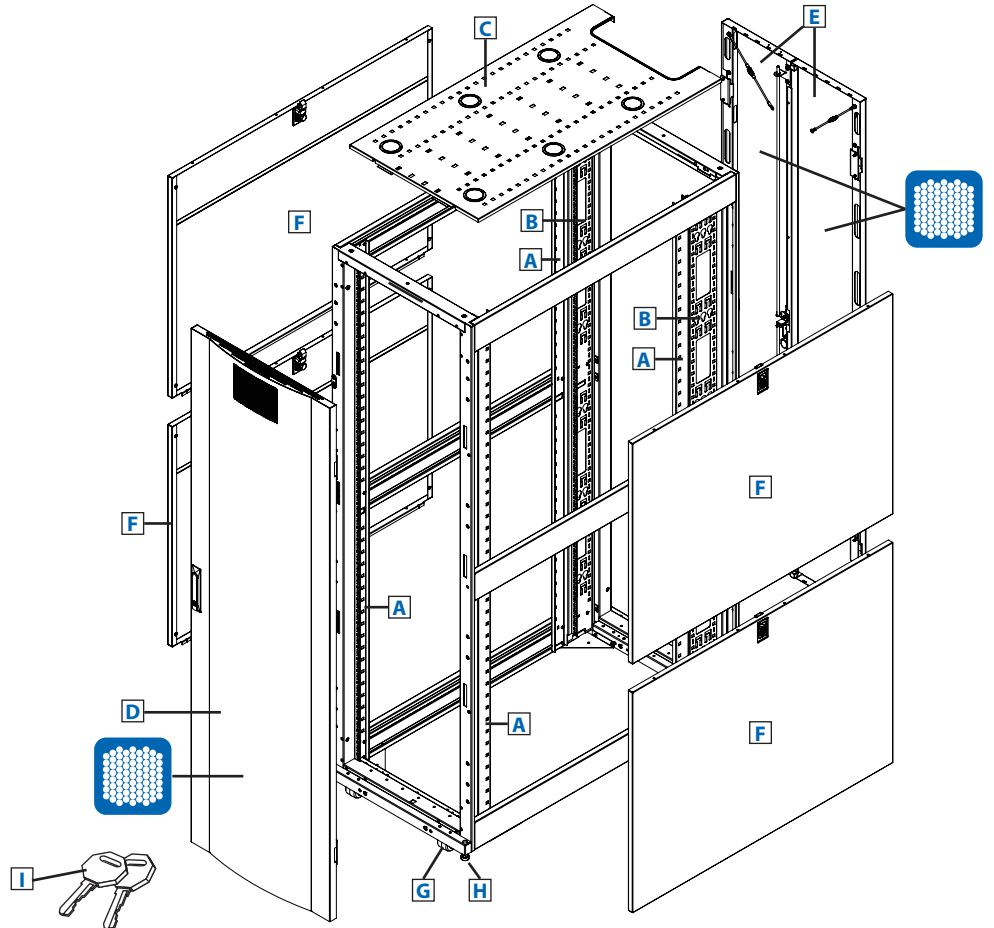
Integrated  
Baying Tabs



Square Hole  
Mounting

- A** Adjustable Mounting Rails
- B** Adjustable PDU Mounting Rails with Toolless Mounting Slots
- C** Roof Panel (Removable)
- D** Front Door (Lockable/Removable/Reversible)
- E** Split Rear Doors (Lockable/Removable)
- F** Side Panels (Lockable/Removable; not included with SRX42UBDPEXP)
- G** Heavy-Duty Casters
- H** Heavy-Duty Levelers
- I** Keys (For doors and side panels.)

Also Includes: Owner's manual, 2 shipping/stabilizing brackets and rack-mount equipment mounting hardware (50 cage nuts, 50 mounting screws, 50 nylon cup washers).



- Enclosures ship fully assembled for rapid deployment, but can be knocked down for easy reassembly in confined spaces
- 1200 mm depth allows extra space for cable management and hot-swap, removable power supplies
- Modular design optimized for quick configuration and reconfiguration
- Ideal for rack-mount server, network and telecom applications

**SEE NEXT PAGE FOR DETAILED UNIT MEASUREMENTS**

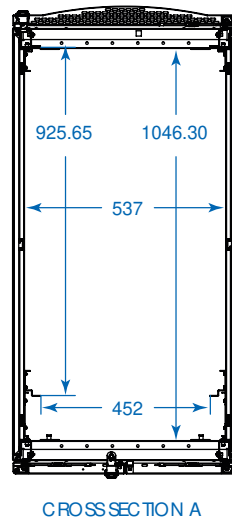
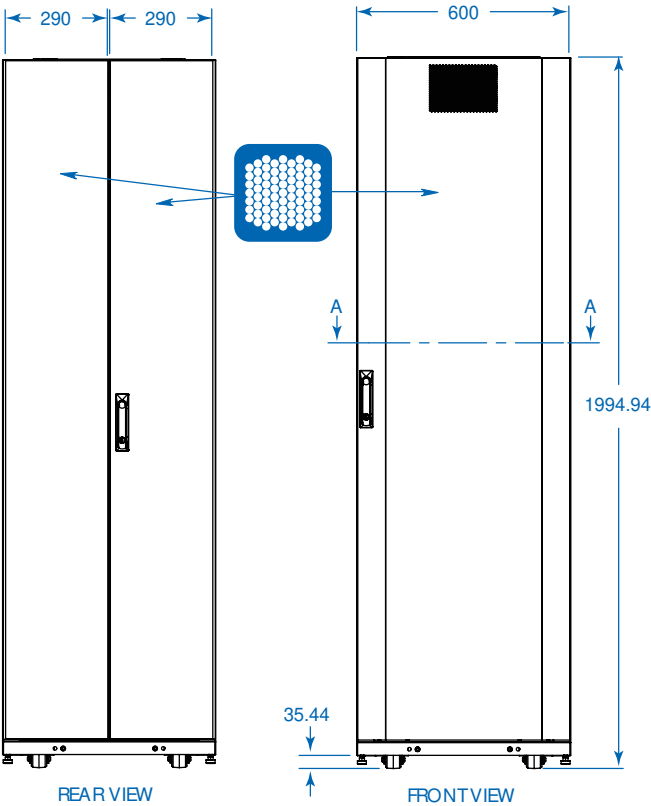
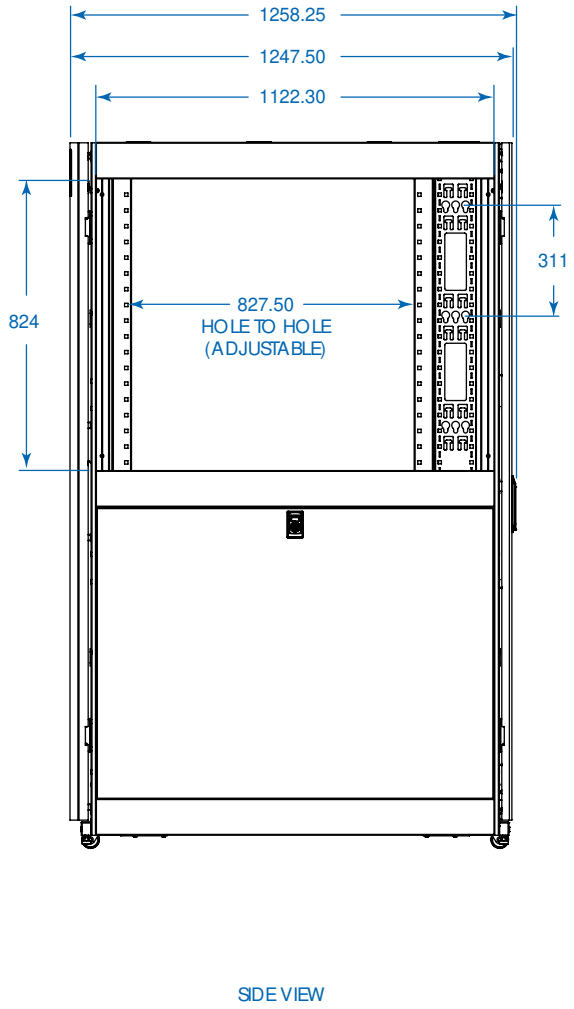
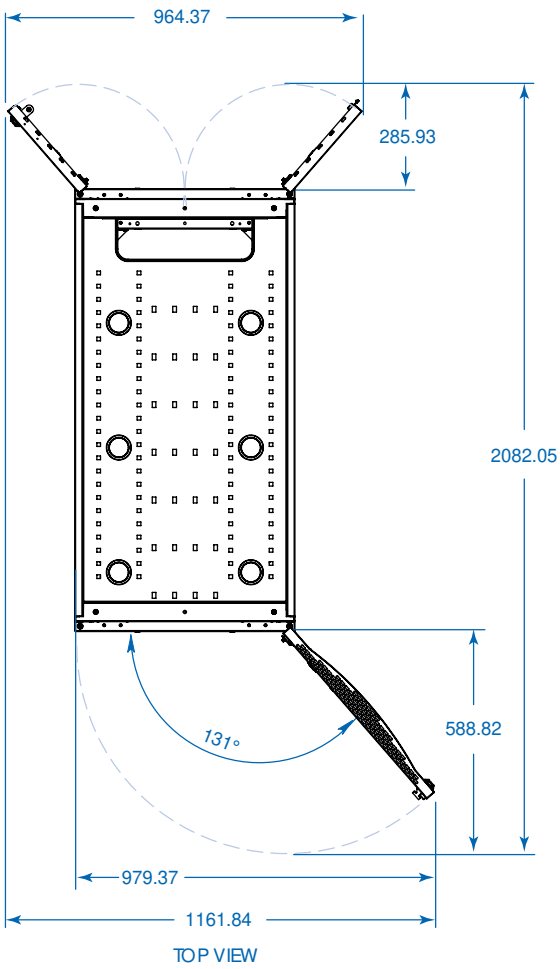


1111 W. 35th Street  
Chicago, IL 60609 USA  
773.869.1234  
www.tripplite.com



### Specifications

<b>Model</b>	SRX42UBDP
Rack Spaces	42U
Stationary Load Capacity	1360 kg
Rolling Load Capacity	1020 kg
Unit Dimensions (H x W x D)	1994 x 600 x 1219 mm
Shipping Dimensions (H x W x D)	2159 x 660 x 1340 mm
Unit Weight	147 kg
Shipping Weight	163 kg
Standards	UL 60950, IP20; EIA/ECA-310-E, ETSI, RoHS Compliant
<b>Model</b>	SRX42UBDPEXP
	(Identical to SRX42UBDP, but without side panels)
Unit Weight	106 kg
Shipping Weight	123 kg

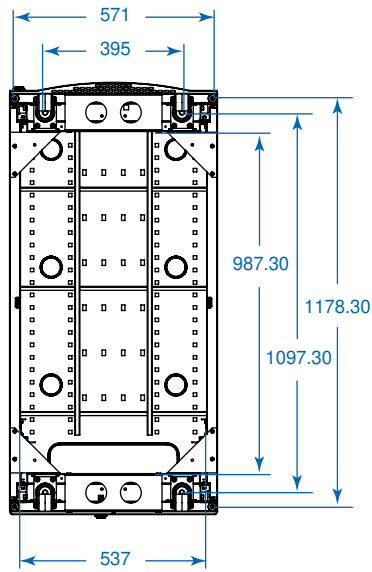


MODELS:  
**SRX42UBDP**  
**SRX42UBDPEXP**

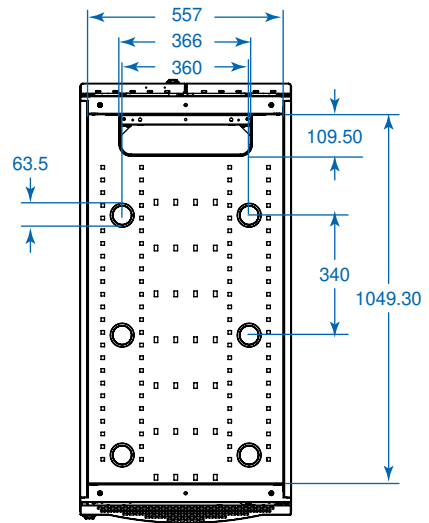


Dimensions: mm

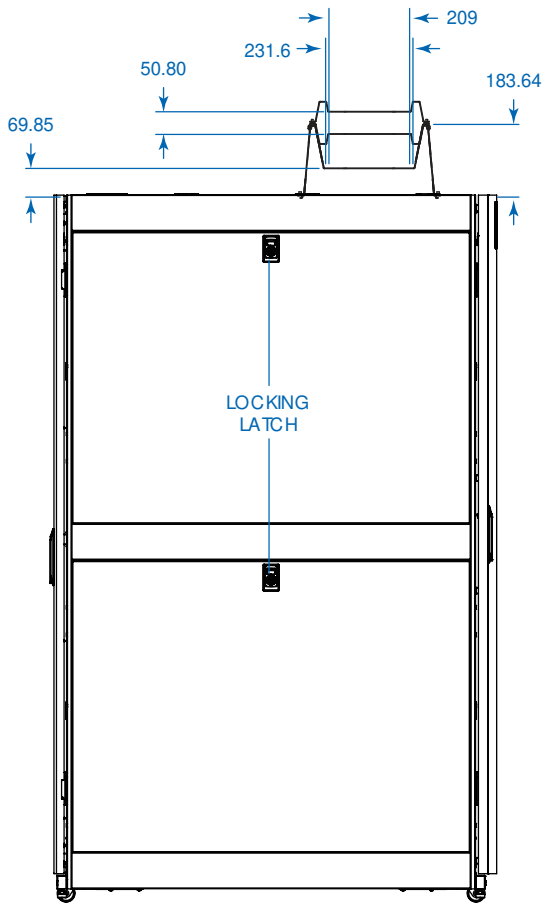
Tripp Lite has a policy of continuous improvement. Specifications are subject to change without notice.



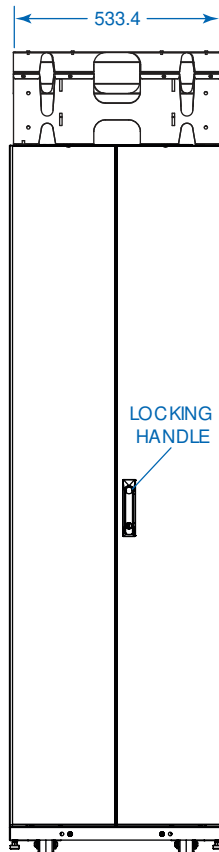
BOTTOM VIEW



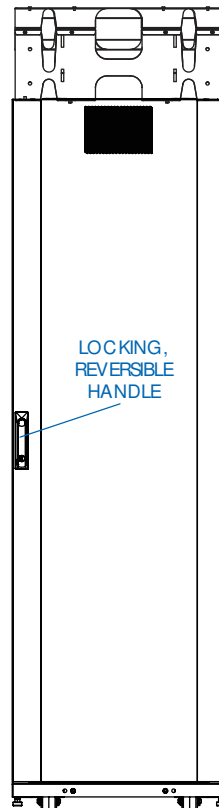
TOP VIEW



SIDE VIEW



REAR VIEW



FRONT VIEW

OPTIONAL SRCABLETRAY AND SRCABLETRAYEXP CABLE MANAGEMENT ACCESSORIES SHOWN (MOUNTING POSITION ADJUSTS TO ACCOMMODATE A WIDE RANGE OF APPLICATIONS)

MODELS:  
**SRX42UBDP**  
**SRX42UBDPEXP**



1111 W. 35th Street  
 Chicago, IL 60609 USA  
 773.869.1234  
 www.tripplite.com

Dimensions: mm

Tripp Lite has a policy of continuous improvement. Specifications are subject to change without notice.