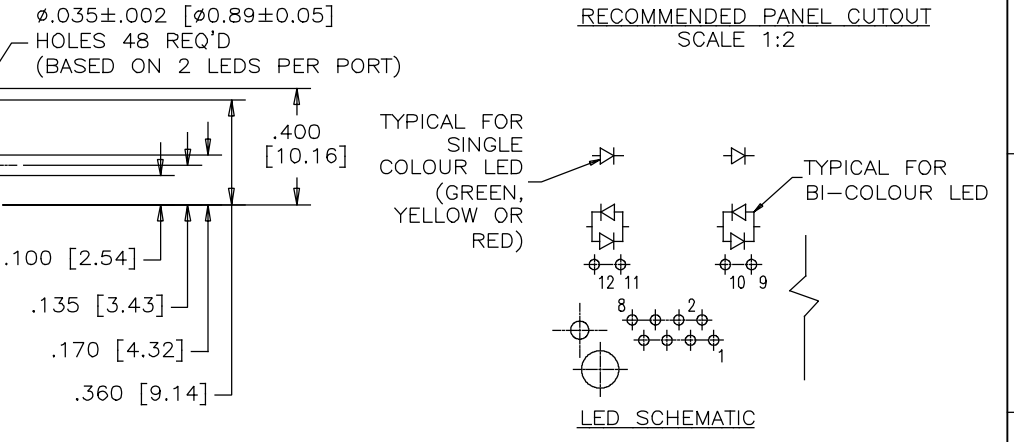
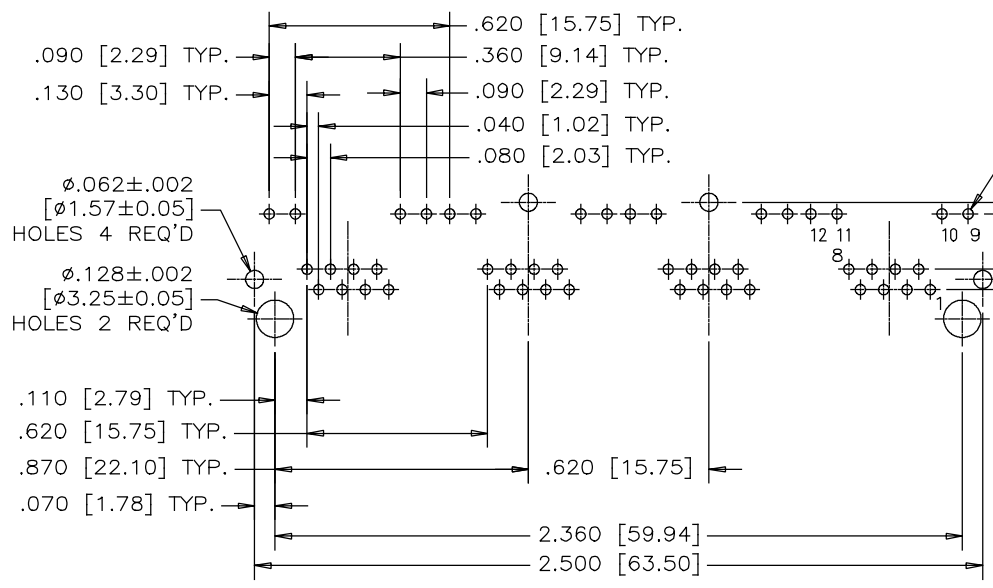
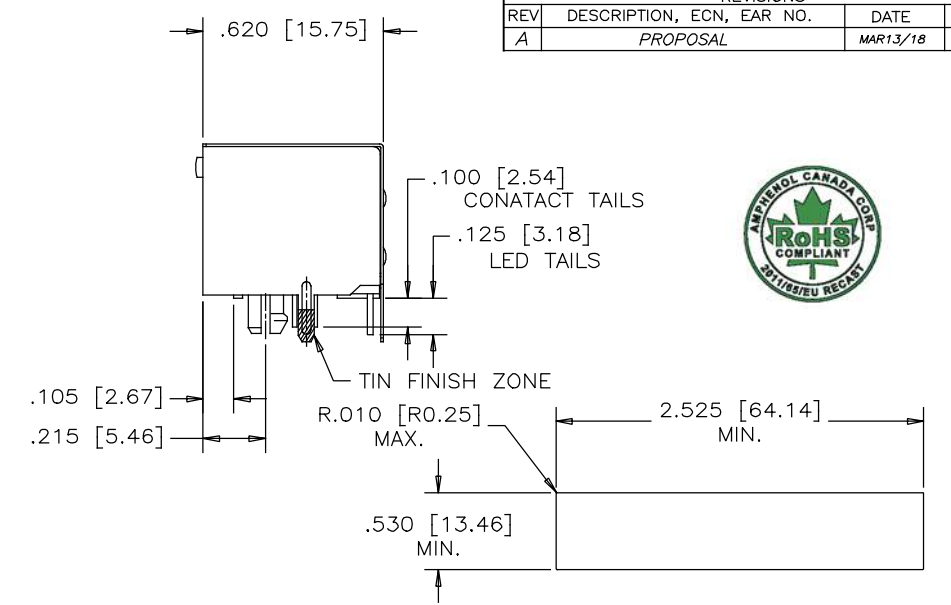
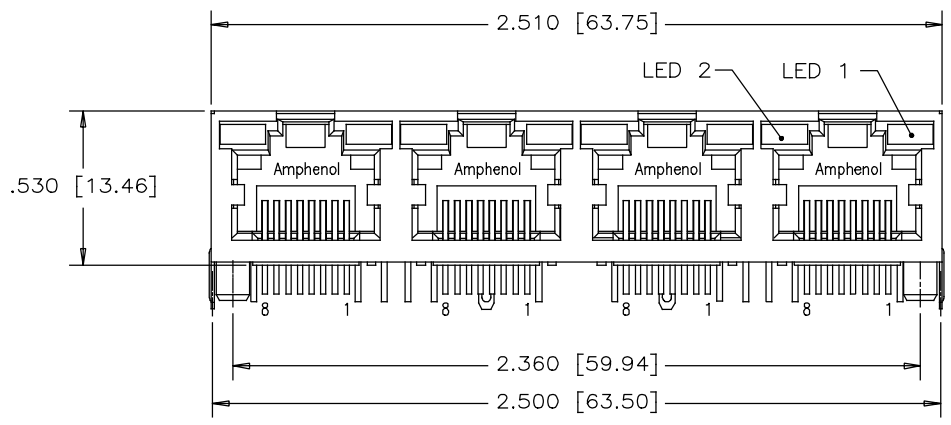


REVISIONS			
REV	DESCRIPTION, ECN, EAR NO.	DATE	APP'D
A	PROPOSAL	MAR13/18	L.CHAN



RECOMMENDED P.C.B. LAYOUT
(COMPONENT SIDE OF BOARD)

RECOMMENDED PANEL CUTOUT
SCALE 1:2

MATERIALS:
PLASTIC HOUSING: HIGH TEMPERATURE THERMOPLASTIC
FLAMMABILITY RATING UL 94V-0, COLOR BLACK

CONTACTS: PHOSPHOR BRONZE
PLATING: GOLD PLATING ON MATING SURFACE.
[SEE PART NUMBER FOR THICKNESS]
50 μ" [1.27 MICRONS]
MIN. NICKEL UNDERPLATE
100 μ" [2.54 MICRONS]
MIN. MATTE TIN ON CONTACT TAILS.

SHIELD: STAINLESS STEEL WITH TIN FINISH ON SOLDER TAIL

LOCATE HOLES
⊕ ⌀.005 [0.13]
POSITION DIMENSIONS
ARE BASIC

PART NUMBER: RJHSE-XF8X-04

GOLD PLATING
E=RJ45 FLAT CONTACT 6u"
G=RJ45 FLAT CONTACT 15u"
J=RJ45 FLAT CONTACT 30u"
5=RJ45 FLAT CONTACT 50u"

REFER TO LED OPTIONS
DRAWING FOR ORDERING
CODES

UNLESS SPECIFIED OTHERWISE		DRAWN	W.QIU	DATE	MAR13/18
PRIMARY UNITS	INCH	CHECKED	L.CHAN	DATE	MAR13/18
SECONDARY UNITS	MILLIMETER	M.E. APP'D			
REFERENCE IN PARENTHESES		Q.A. APP'D			
GENERAL TOLERANCES		ENG. REL. NO.			
1 DECIMAL PLACE	±0.025	REF.			
2 DECIMAL PLACES	±0.020	THIRD ANGLE PROJECTION			
3 DECIMAL PLACES	±0.015	DO NOT SCALE DRAWING			
ANGULAR DEGREES	±1.0°				

Amphenol Canada Corp.
www.amphenolcanada.com

TITLE
FOUR-PORT HIGH SPEED MODULAR JACK,
8 POSITIONS, 8 CONTACTS, WITH LED,
SHIELD WITH NO TABS-RoHS COMPLIANT

DWG. NO.
P-RJHSE-XF8X-04

REV
A

CODE ID NO. 03554 DWG SIZE: C SCALE: N/A SHEET 1 OF 1