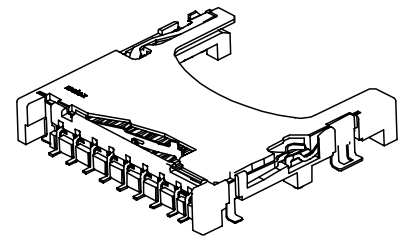
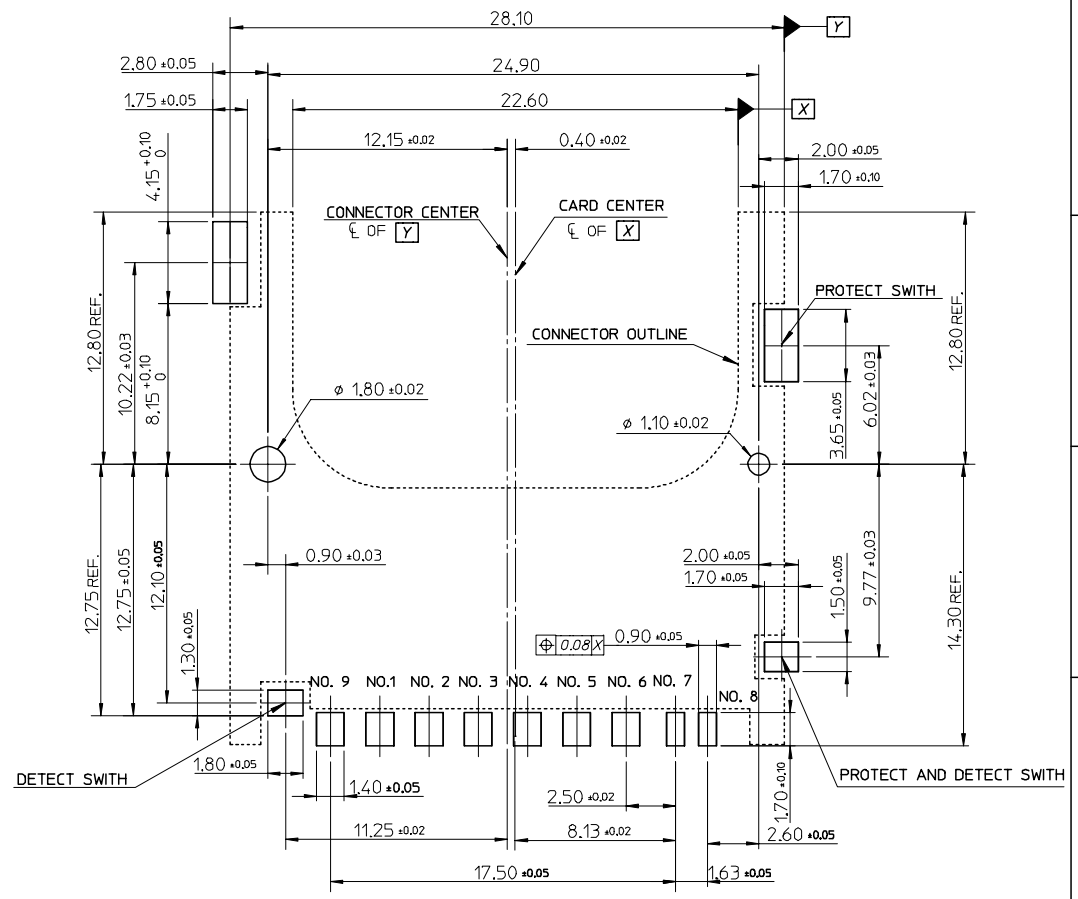


- NOTES :
- MATERIAL :  
 HOUSING : HEAT RESISTANCE POLYMER, UL94-V0, BLACK.  
 TERMINAL : COPPER ALLOY.  
 PLATING : SELECTIVE GOLD PLATING  
 PROTECT PIN : COPPER ALLOY.  
 PLATING :  
 CONTACT AREA : SELECTIVE GOLD PLATING .  
 PROTECT AND DETECT PIN : COPPER ALLOY.  
 PLATING :  
 CONTACT AREA : SELECTIVE GOLD PLATING.  
 DETECT PIN : COPPER ALLOY.  
 PLATING :  
 CONTACT AREA : SELECTIVE GOLD PLATING.  
 CARD LOCK PIN : STAINLESS STEEL.
  - PLATING OF SOLDER AREA FOR ALL TERMINALS AND PINS :  
 TIN-LEAD PLATING.
  - PLATING OF UNDER PLATING FOR ALL TERMINALS AND PINS :  
 NICKEL PLATING.
  - TERMINALS AND PINS COPLANARITY TO BE 0.1mm MAXIMUM.
  - PRODUCT SPECIFICATION REFER TO PS-67781-001.
  - PACKAGE INFORMATION REFER TO PK-67781-002.



ADD ISO VIEW EC NO: IT2004-00035 DRAWN: EKAO 2003/11/04 CHKD: APPR:	QUALITY SYMBOLS	GENERAL TOLERANCES (UNLESS SPECIFIED)	SCALE 3:1	DESIGN UNITS METRIC	THIRD ANGLE PROJECTION	REVISE ON CAD ONLY
	▼ = 0	mm INCH	DIMENSION STYLE MM ONLY		TITLE	
	∇ = 0	4 PLACES ± --- ± ---	DRAWN BY DATE		SD MEMORY CARD CONNECTOR	
	∠ = 0	3 PLACES ± --- ± ---	ALLEN '02/11/01		STAND OFF 1.8 MM TYPE	
		2 PLACES ± 0.25 ± ---	CHECKED BY DATE		MOLEX INCORPORATED	
		1 PLACE ± 0.25 ± ---	WWSCHANG '02/11/01		MATERIAL NO. DOCUMENT NO. SHEET NO.	
		ANGULAR ± 2 °	APPROVED BY DATE		67781-0003 SD-67781-002 1 OF 3	
		DRAFT WHERE APPLICABLE	ELAN '02/11/01		THIS DRAWING CONTAINS INFORMATION THAT IS PROPRIETARY TO MOLEX INCORPORATED AND SHOULD NOT BE USED WITHOUT WRITTEN PERMISSION	
		MUST REMAIN WITHIN DIMENSIONS	A3			

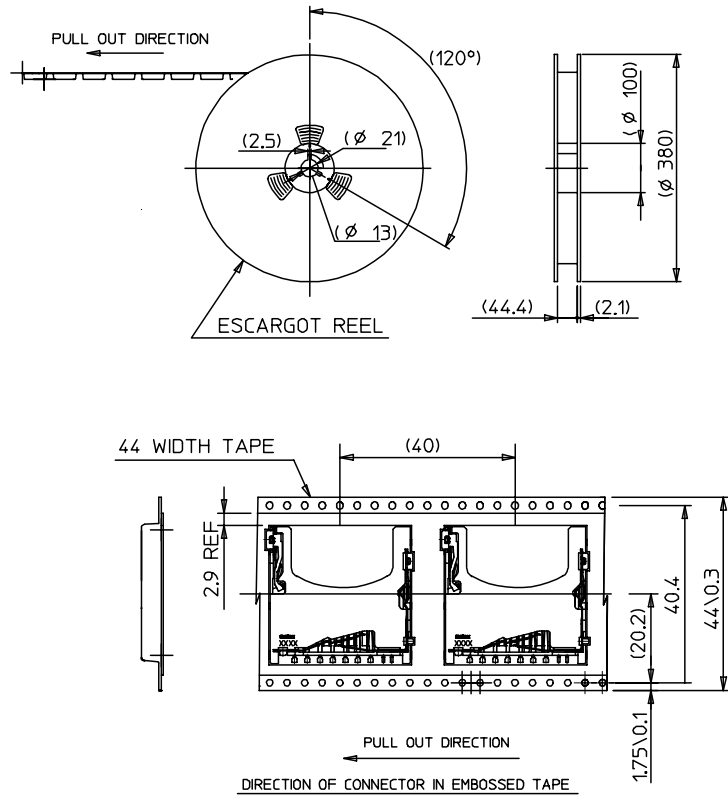
	OPENING AND CLOSE OF EACH SWITCH		
CARD INSERTION STATUS	WRITE PROTECT SWITCH		CARD DETECT SWITCH
	WRITE PROTECT POSITION	WRITE ENABLE POSITION	
CARD UNINSERTION	OPEN	OPEN	OPEN
CARD INSERTION PROCESS	CLOSE	CLOSE	OPEN
CARD INSERTION	OPEN	CLOSE	CLOSE



RECOMMENDED P.C.B. PATTERN LAYOUT

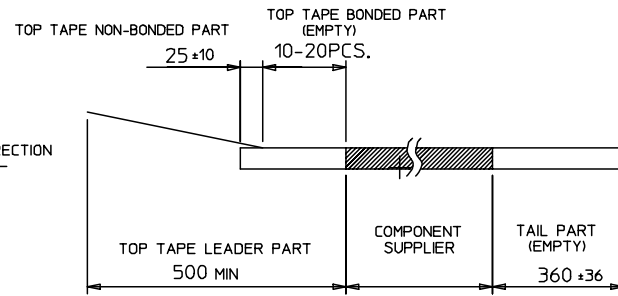
T2004-0045

ADD ISO VIEW EC NO: T2004-0045 DRWN: EKAO 2003/11/04 CHKD: 2003/11/06 APPR: WWSCHANG 2003/11/07	QUALITY SYMBOLS	GENERAL TOLERANCES (UNLESS SPECIFIED)	SCALE 4:1	DESIGN UNITS METRIC	THIRD ANGLE PROJECTION	REVISE ON CAD ONLY																											
	▽ = 0 ∇ = 0 S = 0	<table border="1"> <tr> <th></th> <th>mm</th> <th>INCH</th> </tr> <tr> <td>4 PLACES</td> <td>± ---</td> <td>± ---</td> </tr> <tr> <td>3 PLACES</td> <td>± ---</td> <td>± ---</td> </tr> <tr> <td>2 PLACES</td> <td>± 0.25</td> <td>± ---</td> </tr> <tr> <td>1 PLACE</td> <td>± 0.25</td> <td>± ---</td> </tr> <tr> <td colspan="3">ANGULAR ± 2 °</td> </tr> </table>		mm	INCH	4 PLACES	± ---	± ---	3 PLACES	± ---	± ---	2 PLACES	± 0.25	± ---	1 PLACE	± 0.25	± ---	ANGULAR ± 2 °			<table border="1"> <tr> <th colspan="2">DIMENSION STYLE</th> </tr> <tr> <td colspan="2">MM ONLY</td> </tr> <tr> <td>DRAWN BY ALLEN</td> <td>DATE '02/11/01</td> </tr> <tr> <td>CHECKED BY WWSCHANG</td> <td>DATE '02/11/01</td> </tr> <tr> <td>APPROVED BY ELAN</td> <td>DATE '02/11/01</td> </tr> </table>	DIMENSION STYLE		MM ONLY		DRAWN BY ALLEN	DATE '02/11/01	CHECKED BY WWSCHANG	DATE '02/11/01	APPROVED BY ELAN	DATE '02/11/01	TITLE SD MEMORY CARD CONNECTOR STAND OFF 1.8 MM TYPE (NO PUSH FUNCTION)	
		mm	INCH																														
	4 PLACES	± ---	± ---																														
3 PLACES	± ---	± ---																															
2 PLACES	± 0.25	± ---																															
1 PLACE	± 0.25	± ---																															
ANGULAR ± 2 °																																	
DIMENSION STYLE																																	
MM ONLY																																	
DRAWN BY ALLEN	DATE '02/11/01																																
CHECKED BY WWSCHANG	DATE '02/11/01																																
APPROVED BY ELAN	DATE '02/11/01																																
DRAFT WHERE APPLICABLE MUST REMAIN WITHIN DIMENSIONS		MATERIAL NO. 67781-0003 DOCUMENT NO. SD-67781-002 SHEET NO. 2 OF 3		MOLEX INCORPORATED THIS DRAWING CONTAINS INFORMATION THAT IS PROPRIETARY TO MOLEX INCORPORATED AND SHOULD NOT BE USED WITHOUT WRITTEN PERMISSION		A3																											

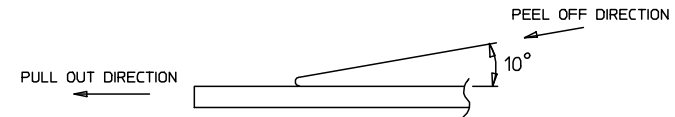


**NOTES**

1. NUMBER OF CONNECTORS: 300 PCS/REEL
- 2.



3. PEEL-OFF FORCE OF TOP TAPE: 0.1 - 1.3 N (10.2 - 130gf)  
(PEELING DIRECTION AS SHOWN IN FOLLOWING FIG.)  
<PEEL-OFF SPEED: 300mm/min (REF.)>



ADD ISO VIEW EC NO: 11000400345 DRAWN: EKA0 2003/11/04 CHKD: 2003/11/06 APPR: WWSCHANG 2003/11/07	QUALITY SYMBOLS ▴ = 0 ▽ = 0 S = 0	GENERAL TOLERANCES (UNLESS SPECIFIED)		SCALE 1:1	DESIGN UNITS METRIC	THIRD ANGLE PROJECTION	REVISE ON CAD ONLY																			
		<table border="1"> <thead> <tr> <th></th> <th>mm</th> <th>INCH</th> </tr> </thead> <tbody> <tr> <td>4 PLACES</td> <td>± ---</td> <td>± ---</td> </tr> <tr> <td>3 PLACES</td> <td>± ---</td> <td>± ---</td> </tr> <tr> <td>2 PLACES</td> <td>± 0.25</td> <td>± ---</td> </tr> <tr> <td>1 PLACE</td> <td>± 0.25</td> <td>± ---</td> </tr> <tr> <td colspan="3">ANGULAR ± 2 °</td> </tr> </tbody> </table>			mm	INCH	4 PLACES	± ---	± ---	3 PLACES	± ---	± ---	2 PLACES	± 0.25	± ---	1 PLACE	± 0.25	± ---	ANGULAR ± 2 °			DIMENSION STYLE MM ONLY		TITLE SD MEMORY CARD CONNECTOR STAND OFF 1.8 MM TYPE (NO PUSH FUNCTION)		
			mm	INCH																						
		4 PLACES	± ---	± ---																						
3 PLACES	± ---	± ---																								
2 PLACES	± 0.25	± ---																								
1 PLACE	± 0.25	± ---																								
ANGULAR ± 2 °																										
DRAFT WHERE APPLICABLE MUST REMAIN WITHIN DIMENSIONS		DRAWN BY ALLEN CHECKED BY WWSCHANG APPROVED BY ELAN	DATE '02/11/01 DATE '02/11/01 DATE '02/11/01	MOLEX INCORPORATED MATERIAL NO. 67781-0003 DOCUMENT NO. SD-67781-002 SHEET NO. 3 OF 3																						
THIS DRAWING CONTAINS INFORMATION THAT IS PROPRIETARY TO MOLEX INCORPORATED AND SHOULD NOT BE USED WITHOUT WRITTEN PERMISSION																										