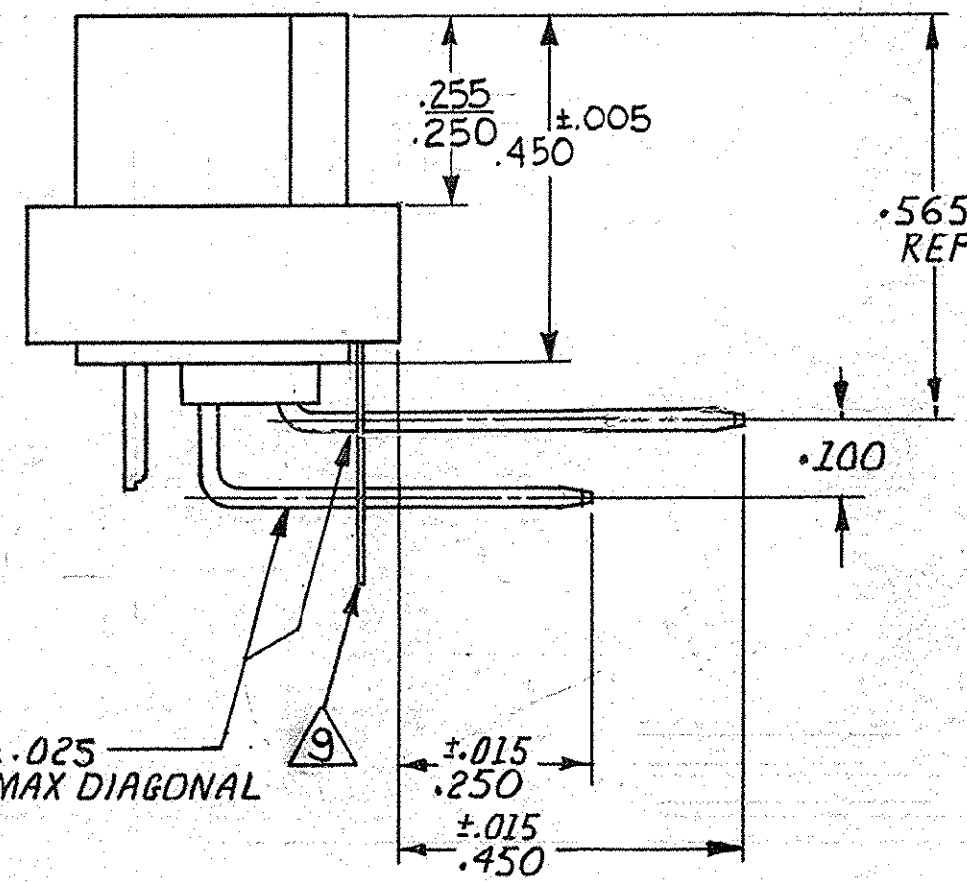
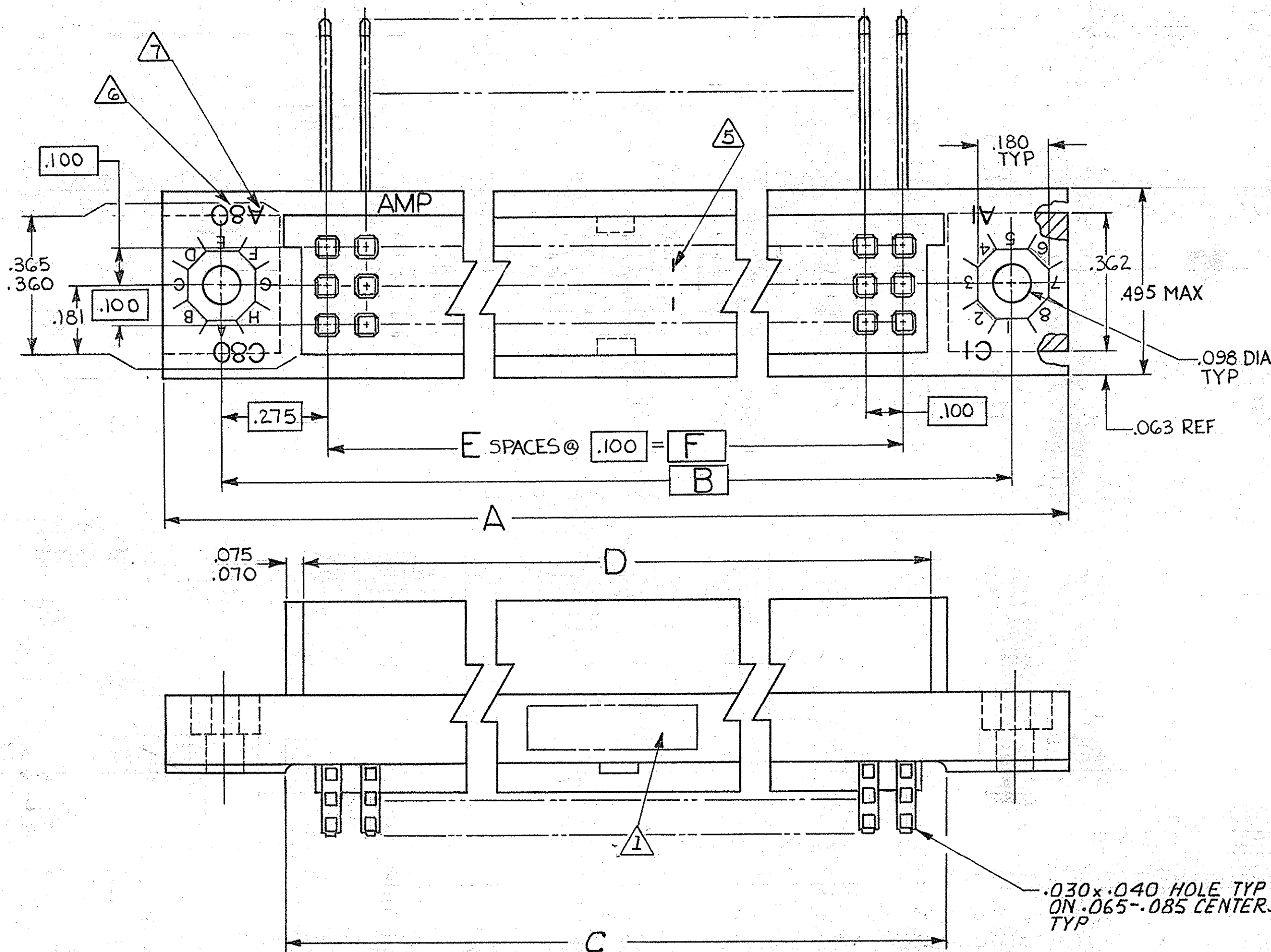


© COPYRIGHT 19 \_\_\_\_\_ BY AMP INCORPORATED, HARRISBURG, PA.  
 ALL INTERNATIONAL RIGHTS RESERVED. AMP INCORPORATED PRODUCTS  
 COVERED BY U. S. AND FOREIGN PATENTS AND/OR PATENTS PENDING.

REVISIONS					
P	F	ZONE	LTR	DESCRIPTION	DATE APPROVED
			0	WAS 5085-501	6-80
			01	REVISED 6924 mms	10-80 DMW
			A	REVISED 7328 DLK	4-13-81
			A1	DIMENSIONS ADDED PER 7656 PLP	12-8-81
A2			A2	REVISED 8143	9-82 EAM
			B	REV. PER ECN AB-0535	1-17-85 EAM
			B1	REVISED PER ECN AB-0812-0731 RDB	4-15-85 EAM
			C	REV PER AB-0993	7-23-85 EAM
			D	REVISED PER AB-1230	11-85 EAM
			E	REVISED PER AB-1674 WAP	11-86 EAM
			F	REVISED PER DF-0117	8-88
			G	REV PER DF-2458 JM	11-20-89 GSH
			H	REV PER DF-6974 TA	3-93 DM
			J	REV 0600-5641-96	9-97 DM
			K	REV 0600-6467-97	10-98 BY
			L	REV PER 063D-0392-00 CT	12-00 DM
			M	REV PER ECO-05-013283	11-05 PY



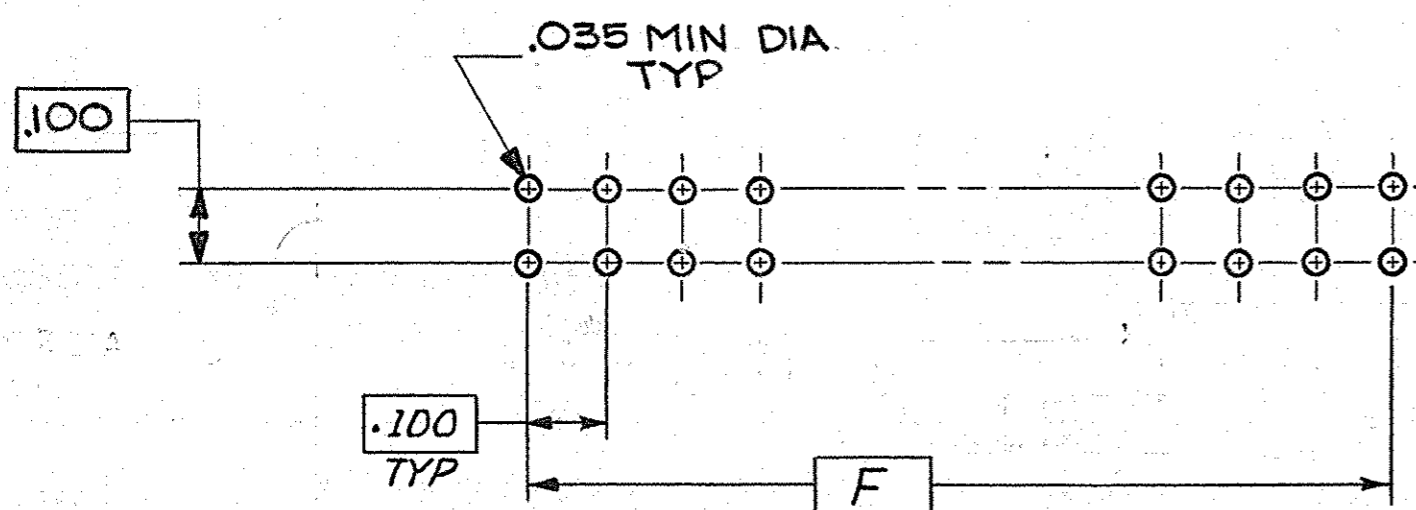
- ① AMP DATE CODE, AND PART NUMBER MARKED THIS AREA.
  - ② HOUSING MATERIAL: POLYPHENYLENE SULFIDE GST-40F PER MIL-M-24519.
  - ③ CONTACT MATERIAL-BERYLLIUM COPPER OR COPPER-NICKEL-SILICONE
  - ④ FINISH-.000050 GOLD OVER .000030 NICKEL
  - ⑤ LINES INDICATING EVERY FIVE CAVITIES MARKED THIS SURFACE.
  - ⑥ NUMBERS INDICATING END CAVITIES MARKED THIS SURFACE.  
.062 ±.010 HIGH
  - ⑦ LETTERS INDICATING OUTSIDE ROWS MARKED THIS SURFACE.
- B. THIRD ROW USES SOLDER EYELET TYPE CONTACTS, AND IS TO BE WIRED TO PC BOARD.
- ⑨ A TRANSPARENT MYLAR STRIP IS PLACED ON THE RIGHT-ANGLE TAILS TO IMPROVE CONTACT ALIGNMENT AND STABILITY.

UNLESS OTHERWISE SPECIFIED DIMENSIONS ARE IN INCHES. TOLERANCES ON: DECIMALS ±.020 ANGLES ±		CONTRACT NO	AMP INCORPORATED Harrisburg, Pa.	
MATERIAL	②③	DR Debra Kelly 7/2/80	NAME RECEPTACLE ASS Y, .100¢, W/ MOUNTING EARS, SNAP-IN BOX CONTACTS	
FINISH	④	CHK W. H. Fitchard Jr. 7/10/80	SIZE CODE IDENT NO DRAWING NO C 00779 531718	
		APPD W. H. Fitchard Jr. 7/10/80	SCALE 4:1	
		APPD E. Parsons 7/11/80	SHEET 1 OF 2	
		DSGN APPD	CUSTOMER DRAWING	
		OTHER APPD		

531718

© COPYRIGHT 19 BY AMP INCORPORATED, HARRISBURG, PA.  
 ALL INTERNATIONAL RIGHTS RESERVED. AMP INCORPORATED PRODUCTS  
 COVERED BY U. S. AND FOREIGN PATENTS AND/OR PATENTS PENDING.

REVISIONS				DATE	APPROVED
P	F	ZONE	LTR	DESCRIPTION	
			M.	SEE SHEET 1	



PC BOARD HOLE LAYOUT

OBSOLETE	8.900	89	9.024	9.125	9.450	9.750	270	1-531718-5	
OBSOLETE	6.400	64	6.524	6.625	6.950	7.250	195	1-531718-4	
OBSOLETE	4.400	44	4.524	4.625	4.950	5.250	135	1- -3	
OBSOLETE	3.600	36	3.724	3.825	4.150	4.450	111	1- -2	
	2.900	29	3.024	3.125	3.450	3.750	90	1- -1	
OBSOLETE	3.200	32	3.324	3.425	3.750	4.050	99	1- -0	
OBSOLETE	3.400	34	3.524	3.625	3.950	4.250	105	-9	
OBSOLETE	3.900	39	4.024	4.125	4.450	4.750	120	-8	
OBSOLETE	4.000	40	4.124	4.225	4.550	4.850	123	-7	
	4.100	41	4.224	4.325	4.650	4.950	126	-6	
	4.900	49	5.024	5.125	5.450	5.750	150	-5	
OBSOLETE	5.400	54	5.524	5.625	5.950	6.250	165	-4	
	5.900	59	6.024	6.125	6.450	6.750	180	-3	
OBSOLETE	6.900	69	7.024	7.125	7.450	7.750	210	-2	
	7.900	79	8.024	8.125	8.450	8.750	240	531718-1	

	F	E	D	C	B	A	NO OF POSN	PART NO
UNLESS OTHERWISE SPECIFIED DIMENSIONS ARE IN INCHES. TOLERANCES ON: DECIMALS $\pm .010$ ANGLES $\pm$	CONTRACT NO		AMP INCORPORATED Harrisburg, Pa.					
MATERIAL	DR A.M. SHARPE 7/2/80		NAME RECEPTACLE ASSY, .100 E, W/ MOUNTING EARS, SNAP-IN BOX CONTACTS					
FINISH	CHK W.L. Pritchard Jr. 7/10/80		SIZE CODE IDENT NO DRAWING NO C 00779 531718					
	APPD W.L. Pritchard Jr. 7/10/80		SCALE 4:1 SHEET 2 of 2					
	APPD E. Parsons 7/11/80		OTHER APPD					
	DSGN APPD							