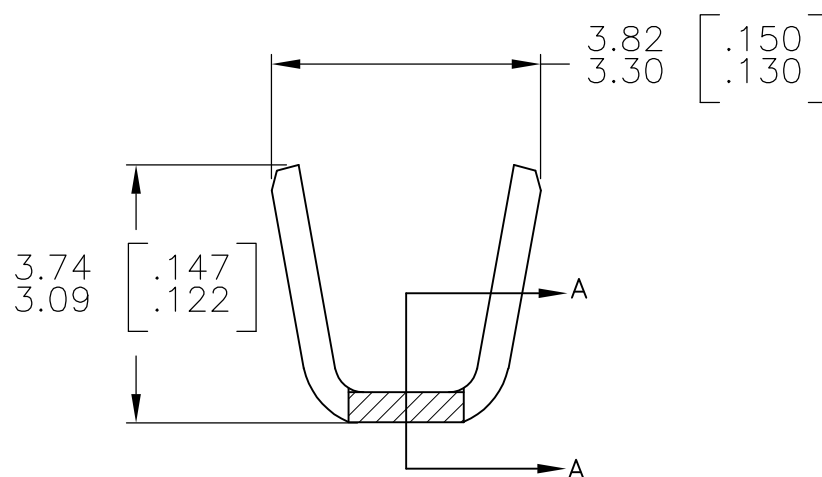
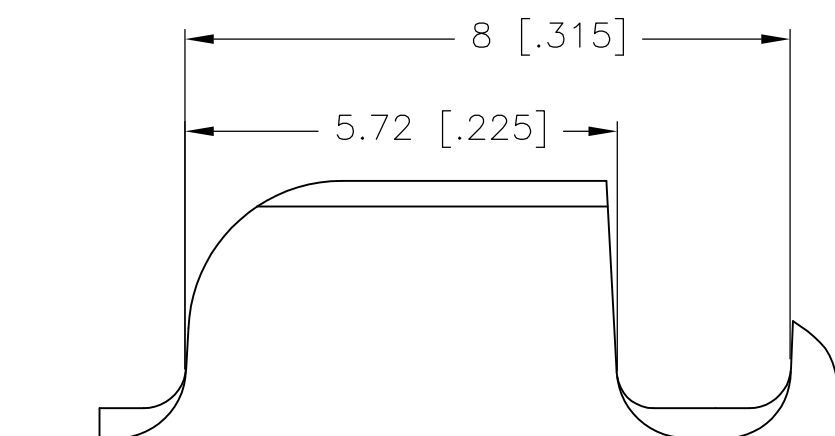
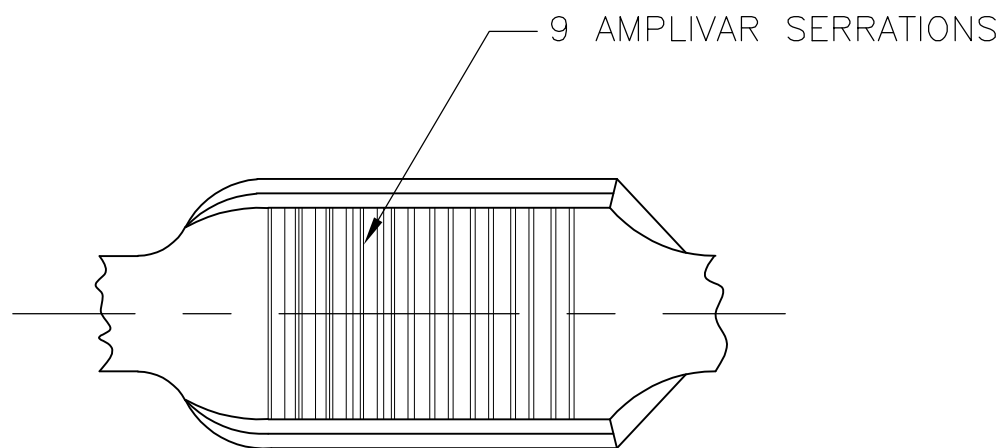
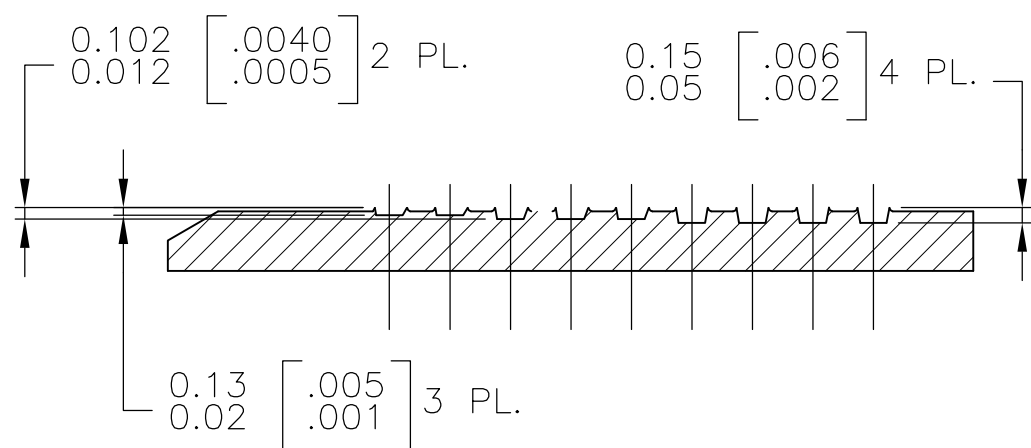


THIS DRAWING IS UNPUBLISHED. RELEASED FOR PUBLICATION
 © COPYRIGHT - By - ALL RIGHTS RESERVED.

LOC	DIST	REVISIONS			
P	LTR	DESCRIPTION	DATE	DWN	APVD
AF	50	E1	REVISE PER ECR-14-006618	14MAY2014	GRZ JL



- PRODUCT PROVIDED IN STRIP FORM ON REELS; BREAKS MAY BE PRESENT.
- FOR FOREIGN USE ONLY
- DIMENSIONS IN BRACKETS ARE IN INCHES.
- CRIMP WIDTH: .110 F (AMPLIVAR TYPE)
 CRIMP HEIGHT (±.002)=(TOTAL CMA +7730)/188,900
 CRIMP WIDTH: .090 F (AMPLIVAR TYPE)
 CRIMP HEIGHT (±.002)=(TOTAL CMA +7300)/153,500
 GENERAL APPLICATION GUIDELINES MUST BE FOLLOWED AS SPECIFIED IN CATALOG # 82221
 FOR APPLICATOR INFORMATION CALL: 1-800-722-1111
 FOR PRODUCT INFORMATION CALL: 1-800-522-6752
- NOT FOR USE WITH ALUMINUM MAGNET WIRE. USE WITH COPPER MAGNET WIRE ONLY.



SECTION A-A
 SCALE : 20:1

METRIC

(E)	0.41[.016] PHOS-BRONZE	TIN PL.	62305-3
	0.41[.016] BRASS	TIN PL.	62305-2
(5)	0.41[.016] BRASS	(2)	62305-1
	MATERIAL	FINISH	PART NO.

DIMENSIONS:		TOLERANCES UNLESS OTHERWISE SPECIFIED:		DWN		RAGHAVENDRA		30JAN06		TE Connectivity	
mm	[INCHES]	0 PLC	± -	1 PLC	± -	CHK	G.D.PORTA	APVD	G.D.PORTA	NAME	SPLICE, AMPLIVAR
		2 PLC	± 0.38[.015]	3 PLC	± -	PRODUCT SPEC	-		G.D.PORTA		600-3000 CMA
		4 PLC	± -	ANGLES	± 1°	APPLICATION SPEC	-				
						114-2003		SIZE	CAGE CODE	DRAWING NO	RESTRICTED TO
MATERIAL	SEE TABLE	FINISH	SEE TABLE			WEIGHT	-	A3	00779	C-62305	-
CUSTOMER DRAWING								SCALE	10:1	SHEET	1 OF 1
								REV	E1		