

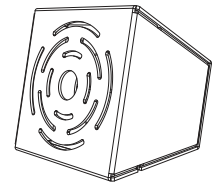
# Cardboard Mono Amplifier Case

www.kitronik.co.uk

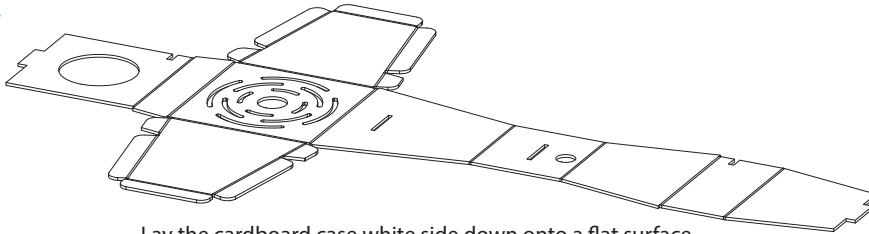


## Description

Follow the step by step diagrams below to assemble the case for the Mono Amplifier Project Kit.

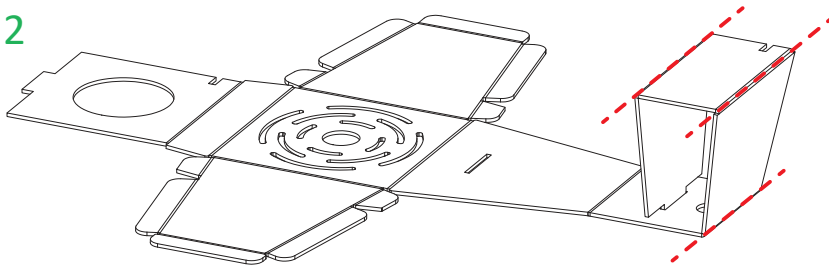


1



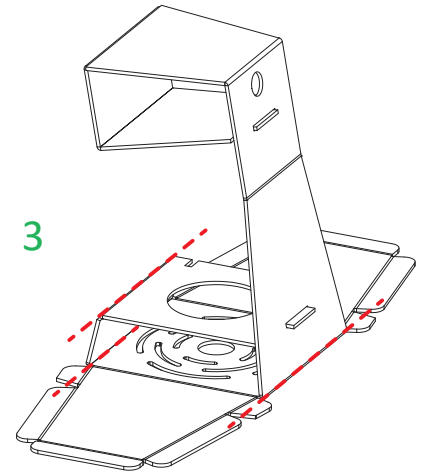
Lay the cardboard case white side down onto a flat surface.

2



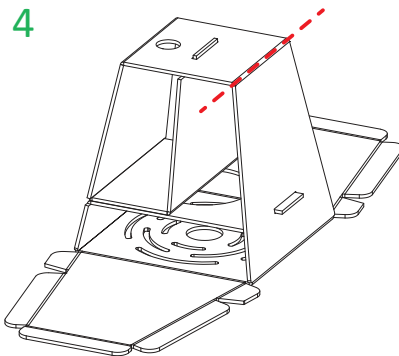
Fold marked lines and push the tab through the slot.

3



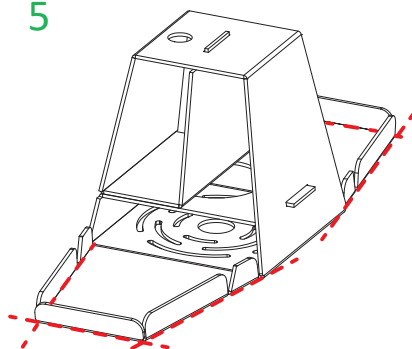
Fold marked lines and push the second tab through the other slot.

4



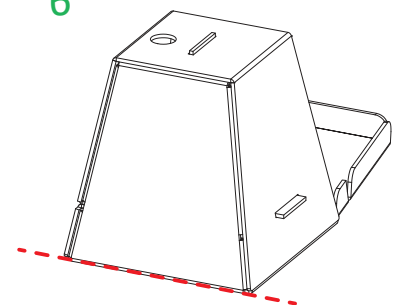
Fold marked line to form the three compartments.

5



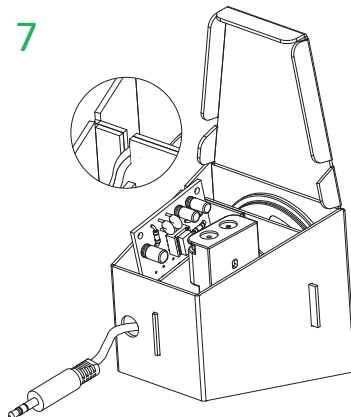
Fold all tabs in.

6



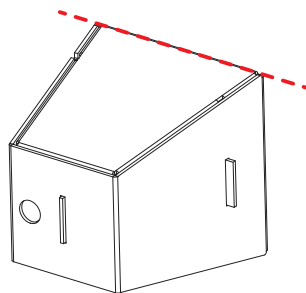
With the case orientated like the image above, fold the side closest to you. This will leave the correct side open for the next step.

7



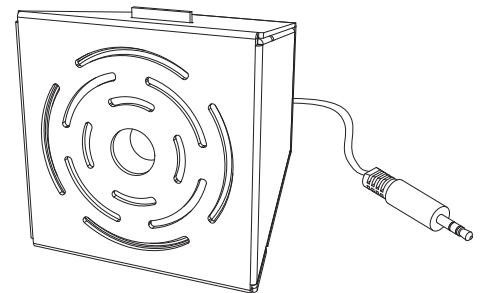
Slot the audio jack through the hole, insert electronics into the designated compartments & ensure wires are sat in the notches provided.

8



Fold final panel to close the product.

9



Plug in your device and enjoy the music!

