

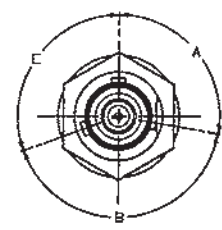
RED INDICATES ORIGINAL

DATA CONTAINED IN THIS DOCUMENT IS PROPRIETARY TO TROMPETER ELECTRONICS INC. AND SHALL NOT BE DISCLOSED, COPIED OR USED FOR REPRODUCTION OR MANUFACTURE WITHOUT EXPRESS WRITTEN PERMISSION.

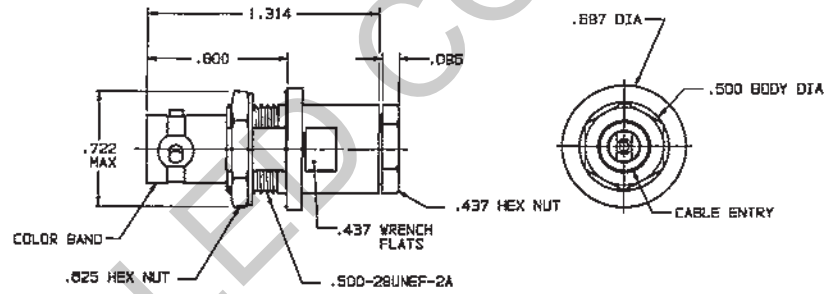
REV EDITION		DESCRIPTION	DWN	APPROVED	DATE
REV	ED				
A.J	11495	FOR CHANGES SEE BCD	AAH	<i>Am: FOL</i>	1/19/96

DASH NO	CABLES ACCOMMODATED	ASSEMBLE PER
-7	TRC-50-2/TRC-75-2	TAI-189
-9	TWC-78-2/TWC-124-2	TAI-102
-23	250-3884, MICRODOT	TAI-189
-24	282-3884, MICRODOT	TAI-102
-24A	9530A5117, RAYCHEM	TAI-189
-25	T-43M, GENERAL	TAI-102
-25A	5021H5331, RAYCHEM	TAI-189
-26	7028A5518, RAYCHEM	TAI-189
-27	282-3827, MICRODOT	TAI-102
-29	TWC-78-1/TWC-124-1A	TAI-102
-30	761A, W.E.CO./B441, BELDEN	TAI-102
-32	TRC-50-1	TAI-189
-33	TRC-75-1	TAI-189
-42	21-204, ESSEX 4463, CONSOLIDATED	TAI-189
-43	250-4044/250-4045 283-3880, MICRODOT	TAI-189
-45	M27500-22TE2T14 1100-66F, STANDARD	TAI-189
-47	H17/176-00002	TAI-102
-49	TWAC-78-1F2	TAI-102
-55	BS272, BELDEN	TAI-189
-56	GC875G1, GRUMMAN	TAI-189
-57	GC875G81, GRUMMAN	TAI-189
-58	GC875TM24H, GRUMMAN	TAI-102
-59	GC875LN1, GRUMMAN	TAI-189
-80	H17/177, THERMATICS 380-10045, BOEING	TAI-189
-84	7528AS314, RAYCHEM	TAI-189

KEYING LETTER	A DEGREES	B DEGREES	C DEGREES	COLOR BAND
NONE	120°	120°	120°	NONE
T	100°	150°	110°	RED
U	120°	130°	110°	ORANGE
V	115°	130°	115°	YELLOW
W	125°	110°	125°	GREEN
X	130°	100°	130°	BLUE
Y	110°	140°	110°	VIOLET
Z	100°	160°	100°	GRAY
S	135°	135°	90°	WHITE

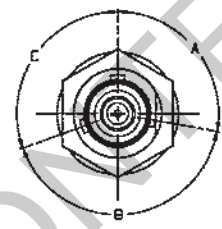


-7 SHOWN
FIG 1

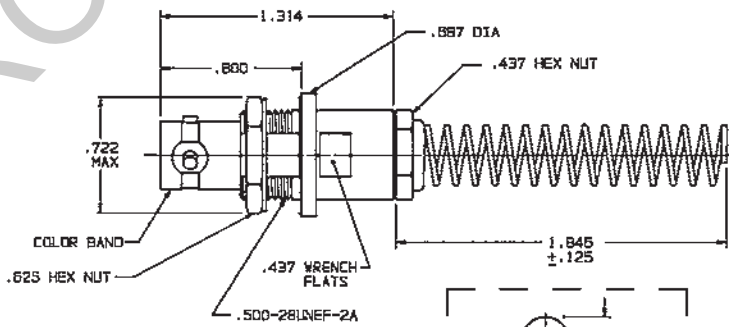


INCH	MM
.005	0.13
.008	2.44
.125	3.18
.132	3.35
.145	3.68
.160	4.06
.164	4.17
.193	4.89
.191	4.85
.198	5.03
.200	5.08
.217	5.51
.218	5.54
.221	5.61
.235	5.97
.250	6.35
.274	6.96
.285	7.24
.300	7.62
.437	11.10
.500	12.70
.505	12.83
.510	12.95
.625	15.88
.687	17.45
.722	18.34
.800	20.32
1.314	33.38
1.645	46.88

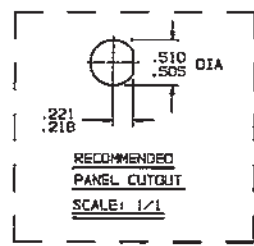
MILITARY PART NO (PIN)	MILITARY CABLE PART NO	TROMPETER PART NO (REF ONLY)
M49142/05-0001	M17/134-00001	M3-001B-7
M49142/05-0101	M17/134-00001	M3-001BY-7
M49142/05-0201	M17/134-00001	M3-001BS-7
M49142/05-0002	M17/134-00002	M3-001B-7
M49142/05-0102	M17/134-00002	M3-001BY-7
M49142/05-0202	M17/134-00002	M3-001BS-7
M49142/05-0007	M17/45-RG10B	M3-001B-9
M49142/05-0107	M17/45-RG10B	M3-001BY-9
M49142/05-0207	M17/45-RG10B	M3-001BS-9
M49142/05-0008	M17/176-00002	M3-001B-47
M49142/05-0108	M17/176-00002	M3-001BY-47
M49142/05-0208	M17/176-00002	M3-001BS-47
M49142/05-0009	M17/177-00001	M3-001B-50
M49142/05-0109	M17/177-00001	M3-001BY-50
M49142/05-0209	M17/177-00001	M3-001BS-50



-7 SHOWN
FIG 2

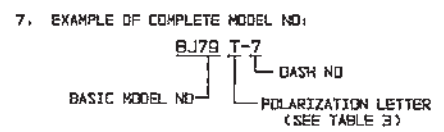


DASH NO	DIA	DASH NO	DIA
-7	.274	-33	.217
-9	.285	-42	.300
-23	.183	-43	.200
-24	.191	-45	.183
-24A	.200	-47	.164
-25	.265	-49	.132
-25A	.265	-55	.250
-26	.183	-56	.191
-27	.145	-57	.191
-28	.191	-58	.198
-30	.235	-59	.198
-32	.191	-60	.217



- ⚠ WHEN CONNECTOR IS SUPPLIED TO MILITARY PART NO (SEE TABLE 2):
 - a) ALL PARTS NORMALLY PLATED TFS-1A OR TFS-1U (NICKEL) ARE TO BE PLATED TFS-1M (SILVER)
 - b) MARK PART WITH MILITARY PIN (SEE TABLE 2) AND "14949"
 - c) QUALITY CONFORMANCE INSPECTION SHALL BE PER MIL-C-48142 SECTION 4.5

- ⚠ IF BEND RELIEF SPRING REQD ADD SUFFIX "BR" TO MODEL NO (SEE FIG 2)
- 4. CONCENTRIC TWINAX/TRIAX TR8 BULKHEAD MOUNT CABLE RECEPTACLE
- 3. MAX PANEL THK .160
- 2. FINISH: TFS-1A (NICKEL) ⚠
- 1. ALL DIM ARE IN INCHES



QTY	DESCRIPTION	PART NUMBER	ITEM
305-0522	TDL UNLESS SPECIFIED		
305-0521	.005 ± .005		
305-0459	ANGLE		
305-0404			
305-0382	DWN AAH 1-13-96		
305-0534	CHK BM 1-18-96		
210-0003	ENGR		
	NEXT ASSY		
	APPR		

TROMPETER RF connectivity		BJ79/TWINAX/23/BR	
MATERIAL	CODE IDENT	DRAWING NO.	REV
	14949	3-001B	A.J
SCALE 2/1	DATE 4/13/87	SHEET 1 OF 2	