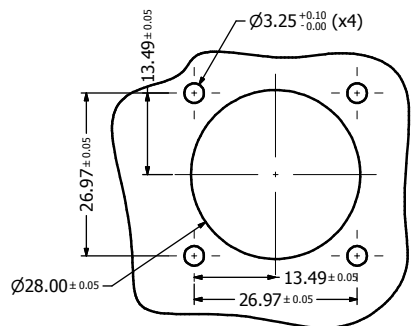
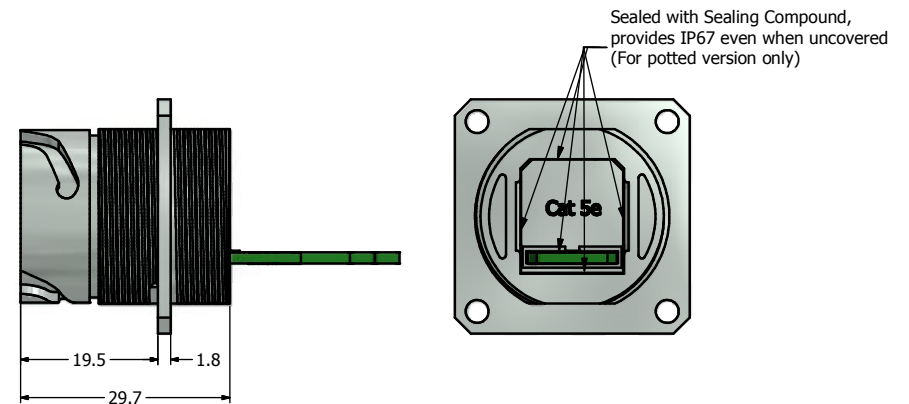
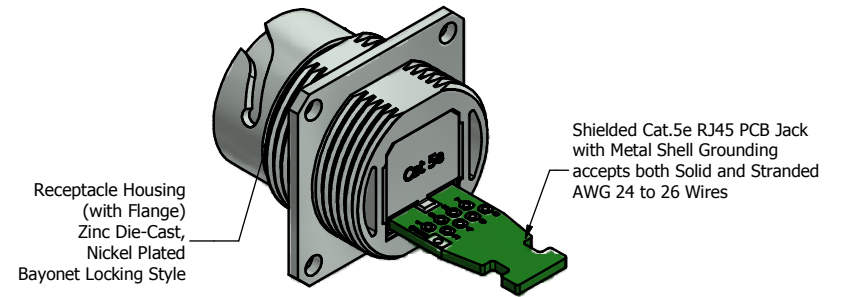
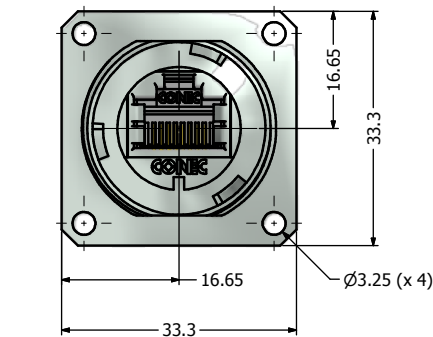
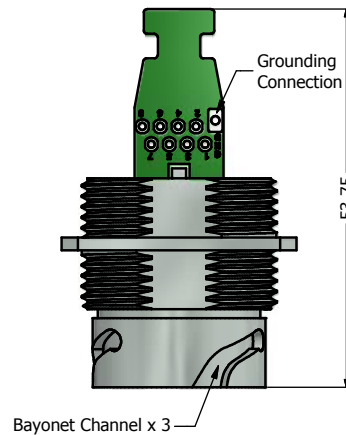


Recommended Double-D Panel Cutout



Recommended Round Panel Cutout



Notes:

- Electrical Specifications:
 - Meets EIA/TIA-568-B.2 Cat.5e Specification
 - Contact Resistance: 20mOhm max.
 - Insulation Resistance: 500MOhm min. @ 100 VDC
 - Current Rating: 1.2A max. at 25~C
 - Working Voltage: 100 VDC
 - DWV: 1000 VDC/60s Contact to Contact, 1500 VDC/60s Contact to Metal Shell
 - Operating Temperature: -40~C to +85~C
- Material and Finish:
 - Receptacle Housing (with Flange): Zinc Die-Cast, Nickel Plated
 - Cat.5e RJ45 PCB Jack Metal Shell: Copper Alloy, Nickel Plated
 - Cat.5e RJ45 PCB Jack Plastic Housing: Glass filled PBT UL94 V-0, Color: Black
 - Cat.5e RJ45 PCB Jack Contacts: Phosphor Bronze, Finish: 50u" Gold min. over Nickel
- Connector can be front or rear mounted to a maximum panel thickness of 3.2mm.
- IP67 rated when covered or fully mated with the appropriate mating connector
- Supply with a cable tie

Directive 2002/95/EC RoHS Compliant

Description	Part Number
Nickel Plated Zinc Die-Cast with Shielded Cat5e RJ45 Jack + Grounding Hole + Cable Tie	17-111114
Potted Nickel Plated Zinc Die-Cast with Shielded Cat5e RJ45 Jack + Grounding Hole + Cable Tie	17-111124

Ⓢ Note: the panel gasket (P/N: 17-103540) and the M3 mounting hardware (P/N: 17-103530) must be ordered separately, the recommended mounting torque is 8 to 10 lb-inch

THIS DRAWING MAY NOT BE COPIED OR REPRODUCED IN ANY MANNER WITHOUT WRITTEN PERMISSION. OWNERSHIP AND COPYRIGHT OF CONEC CORPORATION.	Customer:		Tolerance Unless otherwise specified	Scale: NTS	Dim. in mm	
	Name		0 PLC ±0.50			
	Title		1 PLC ±0.38	Autodesk Inventor	Material: See Notes	
	Approval Date		2 PLC ±0.25			
2012		Date	3 PLC ±0.10	PCB Jack Receptacle (with Flange) with Cat. 5e RJ45 PCB Jack Version-III Nickel Plated Zinc Die-Cast Version		
Nov. 22		Name	ANGLES ±.7			
Nov. 22		Draw.	Nov. 22	Vincent Ke	Drawing No.: 17K1A381	
Nov. 22		Appd.	Nov. 22	J. Chaudry		
Norm		Rev.	Changes	Date	Name	Part No.: SEE TABLE ABOVE
D-old		b	1 x b	Mar/07/2013	Vincnet Ke	
D-old		a	original			DIN A3
D-old		Rev.	Changes	Date	Name	Sheet 1/1

