

FEATURES

- 28-/56-bit, 25 MIPS digital audio processor
- 2 ADCs: SNR of 100 dB, THD + N of -83 dB
- 4 DACs: SNR of 104 dB, THD + N of -90 dB
- Complete standalone operation
- Self-boot from serial EEPROM
- Auxiliary ADC with 4-input mux for analog control
- GPIOs for digital controls and outputs
- Fully programmable with SigmaStudio graphical tool
- 28-bit × 28-bit multiplier with 56-bit accumulator for full double precision processing
- Clock oscillator for generating master clock from crystal
- PLL for generating a master clock from $64 \times f_s$, $256 \times f_s$, $384 \times f_s$, or $512 \times f_s$ clocks
- Flexible serial data input/output ports with I²S-compatible, left-justified, right-justified, and TDM modes
- Sampling rates of up to 192 kHz are supported
- On-chip voltage regulator for compatibility with 3.3 V systems
- 48-lead, plastic LQFP

APPLICATIONS

- Multimedia speaker systems
- MP3 player speaker docks
- Automotive head units
- Minicomponent stereos
- Digital televisions
- Studio monitors
- Speaker crossovers
- Musical instrument effects processors
- In-seat sound systems (aircraft/motor coaches)

GENERAL DESCRIPTION

The ADAU1702 is a complete single-chip audio system with a 28-/56-bit audio DSP, ADCs, DACs, and microcontroller-like control interfaces. Signal processing includes equalization, cross-over, bass enhancement, multiband dynamics processing, delay compensation, speaker compensation, and stereo image widening. This processing can be used to compensate for real-world limitations of speakers, amplifiers, and listening environments, providing dramatic improvements in perceived audio quality.

Its signal processing is comparable to that found in high end studio equipment. Most processing is done in full 56-bit, double precision mode, resulting in very good low level signal performance. The ADAU1702 is a fully programmable DSP. The easy to use SigmaStudio™ software allows the user to graphically configure a custom signal processing flow using blocks such as biquad filters, dynamics processors, level controls, and GPIO interface controls.

ADAU1702 programs can be loaded on power-up either from a serial EEPROM through its own self-boot mechanism or from an external microcontroller. On power-down, the current state of the parameters can be written back to the EEPROM from the ADAU1702 to be recalled the next time the program is run.

Two Σ - Δ ADCs and four Σ - Δ DACs provide a 98.5 dB analog input to analog output dynamic. Each ADC has a THD + N of -83 dB, and each DAC has a THD + N of -90 dB. Digital input and output ports allow a glueless connection to additional ADCs and DACs. The ADAU1702 communicates through an I²C bus or a 4-wire SPI port.

TABLE OF CONTENTS

| | | | |
|--|----|--|----|
| Features | 1 | Parameter RAM..... | 30 |
| Applications..... | 1 | Data RAM | 30 |
| General Description | 1 | Read/Write Data Formats | 30 |
| Revision History | 3 | Control Register Map..... | 32 |
| Functional Block Diagram | 4 | Control Register Details | 34 |
| Specifications..... | 5 | Address 2048 to Address 2055 (0x0800 to 0x0807)—Interface Registers..... | 34 |
| Analog Performance | 5 | Address 2056 (0x0808)—GPIO Pin Setting Register | 35 |
| Digital Input/Output..... | 6 | Address 2057 to Address 2060 (0x0809 to 0x080C)—Auxiliary ADC Data Registers..... | 36 |
| Power..... | 6 | Address 2064 to Address 2068 (0x0810 to 0x0814)—Safeload Data Registers | 37 |
| PLL and Oscillator..... | 6 | Address 2069 to Address 2073 (0x0815 to 0x0819)—Safeload Address Registers | 37 |
| Regulator..... | 6 | Address 2074 to Address 2075 (0x081A to 0x081B)—Data Capture Registers..... | 38 |
| Digital Timing Specifications | 7 | Address 2076 (0x081C)—DSP Core Control Register | 39 |
| Absolute Maximum Ratings..... | 10 | Address 2078 (0x081E)—Serial Output Control Register | 40 |
| Thermal Resistance | 10 | Address 2079 (0x081F)—Serial Input Control Register | 41 |
| ESD Caution..... | 10 | Address 2080 to Address 2081 (0x0820 to 0x0821)—Multipurpose Pin Configuration Registers | 42 |
| Pin Configuration and Function Descriptions..... | 11 | Address 2082 (0x0822)—Auxiliary ADC and Power Control Register | 43 |
| Typical Performance Characteristics | 14 | Address 2084 (0x0824)—Auxiliary ADC Enable Register ... | 43 |
| System Block Diagram | 15 | Address 2086 (0x0826)—Oscillator Power-Down Register . | 43 |
| Theory of Operation | 16 | Address 2087 (0x0827)—DAC Setup | 44 |
| Initialization | 17 | Multipurpose Pins | 45 |
| Power-Up Sequence | 17 | Auxiliary ADC..... | 45 |
| Control Registers Setup | 17 | General-Purpose Input/Output Pins..... | 45 |
| Recommended Program/Parameter Loading Procedure | 17 | Serial Data Input/Output Ports | 45 |
| Power Reduction Modes..... | 18 | Layout Recommendations..... | 48 |
| Using the Oscillator..... | 18 | Parts Placement | 48 |
| Setting Master Clock/PLL Mode..... | 18 | Grounding..... | 48 |
| Voltage Regulator | 19 | Typical Application Schematics..... | 49 |
| Audio ADCs | 20 | Self-Boot Mode..... | 49 |
| Audio DACs | 21 | I ² C Control | 50 |
| Control Ports..... | 22 | SPI Control..... | 51 |
| I ² C Port..... | 23 | Outline Dimensions | 52 |
| SPI Port | 26 | Ordering Guide | 52 |
| Self-Boot | 27 | | |
| Signal Processing | 29 | | |
| Numeric Formats..... | 29 | | |
| Programming..... | 29 | | |
| RAMs and Registers | 30 | | |
| Address Maps..... | 30 | | |

REVISION HISTORY**5/16—Rev. C to Rev. D**

Changes to Audio DACs Section and Figure 1921

6/11—Rev. B to Rev. C

Deleted Table 26

2/11—Rev. A to Rev. B

Changes to Test Conditions/Comments Column, Table 38

Changes to Table 1012

Changes to Figure 20, Figure 2125

Changes to Figure 2727

9/10—Rev. 0 to Rev. ADeleted Temperature Range Section and Table 4, Renumbered
Sequentially4Moved and Changes to Functional Block Diagram Section and
Figure 14

Changes to Table 15

Added Table 2; Renumbered Sequentially6

Changes to Table 3 and Table 57

Changes to Table 78

Reorganized Digital Timing Diagrams Section9

Changes to Figure 2.....9

Changes to Figure 510

Changes to Table 811

Changes to Table 1012

Changes to Figure 8 to Figure 1115

Renamed Theory of Operation Section17

Changes to Initialization Section18

Changes to Setting the Master Clock/PLL Mode Section19

Changes to Voltage Regulator Section20

Changes to Figure 1922

Changes to Table 1423

Changes to Figure 22 through Figure 25.....26

Deleted Table 2027

Changes to Self-Boot Section and EEPROM Format Section ..28

Added Figure 28, Renumbered Sequentially29

Changes to Address 2057 to Address 2060 (0x809 to 0x80C)—
Auxiliary ADC Data Registers Section37Changes to Multipurpose Pins Section and Auxiliary ADC
Section46

Changes to Ordering Guide.....56

7/07—Revision 0: Initial Version

SPECIFICATIONS

AVDD = 3.3 V, DVDD = 1.8 V, PVDD = 3.3 V, IOVDD = 3.3 V, master clock input = 12.288 MHz, unless otherwise noted.

ANALOG PERFORMANCE

Specifications are guaranteed at 25°C (ambient).

Table 1.

| Parameter | Min | Typ | Max | Unit | Test Conditions/Comments |
|-----------------------------------|------|-----------|-----|-----------------|---|
| ADC INPUTS | | | | | |
| Number of Channels | | 2 | | | Stereo input |
| Resolution | | 24 | | Bits | |
| Full-Scale Input | | 100 (283) | | μA rms (μA p-p) | 2 V rms input with 20 kΩ (18 kΩ external + 2 kΩ internal) series resistor |
| Signal-to-Noise Ratio | | | | | |
| A-Weighted | | 100 | | dB | |
| Dynamic Range | | | | | –60 dB with respect to full-scale analog input |
| A-Weighted | 95 | 100 | | dB | |
| Total Harmonic Distortion + Noise | | –83 | | dB | –3 dB with respect to full-scale analog input |
| Interchannel Gain Mismatch | | 25 | 250 | mdB | |
| Crosstalk | | –82 | | dB | Analog channel-to-channel crosstalk |
| DC Bias | 1.4 | 1.5 | 1.6 | V | |
| Gain Error | –11 | | +11 | % | |
| Group Delay | | 480 | | μs | Delay is the same across all frequencies |
| DAC OUTPUTS | | | | | |
| Number of Channels | | 4 | | | Two stereo output channels |
| Resolution | | 24 | | Bits | |
| Full-Scale Analog Output | | 0.9 (2.5) | | V rms (V p-p) | |
| Signal-to-Noise Ratio | | | | | |
| A-Weighted | | 104 | | dB | |
| Dynamic Range | | | | | –60 dB with respect to full-scale analog output |
| A-Weighted | 99 | 104 | | dB | |
| Total Harmonic Distortion + Noise | | –90 | | dB | –1 dB with respect to full-scale analog output |
| Crosstalk | | –100 | | dB | Analog channel-to-channel crosstalk |
| Interchannel Gain Mismatch | | 25 | 250 | mdB | |
| Gain Error | –10 | | +10 | % | |
| DC Bias | 1.4 | 1.5 | 1.6 | V | |
| Group Delay | | 400 | | μs | Delay is the same across all frequencies |
| VOLTAGE REFERENCE | | | | | |
| Absolute Voltage (CM) | 1.4 | 1.5 | 1.6 | V | |
| AUXILIARY ADC | | | | | |
| Full-Scale Analog Input | 2.8 | 3.0 | 3.1 | V | |
| INL | | 0.5 | | LSB | |
| DNL | | 1.0 | | LSB | |
| Offset | | 15 | | mV | |
| Input Impedance | 17.8 | 30 | 42 | kΩ | |

DIGITAL INPUT/OUTPUT

Table 2.

| Parameter | Symbol | Min | Typ | Max ¹ | Unit | Test Conditions/Comments |
|--|-----------------|-----|-----|------------------|------|--|
| Input Voltage, High | V _{IH} | 2.0 | | IOVDD | V | |
| Input Voltage, Low | V _{IL} | | | 0.8 | V | |
| Input Leakage, High | I _{IH} | | | 1 | μA | Excluding MCLKI |
| Input Leakage, Low | I _{IL} | | | 1 | μA | Excluding MCLKI and bidirectional pins |
| Bidirectional Pin Pull-Up Current, Low | | | | 150 | μA | |
| MCLKI Input Leakage, High | I _{IH} | | | 3 | μA | |
| MCLKI Input Leakage, Low | I _{IL} | | | 3 | μA | |
| High Level Output Voltage | V _{OH} | 2.0 | | | V | I _{OH} = 2 mA |
| Low Level Output Voltage | V _{OL} | | | 0.8 | V | I _{OL} = 2 mA |
| Input Capacitance | | | | 5 | pF | |
| GPIO Output Drive | | | 2 | | mA | |

¹ Maximum specifications are measured across a temperature range of -40°C to +130°C (case), a DVDD range of 1.62 V to 1.98 V, and an AVDD range of 2.97 V to 3.63 V.

POWER

Table 3.

| Parameter | Min | Typ | Max ¹ | Unit |
|---|-----|-------|------------------|------|
| SUPPLY VOLTAGE | | | | |
| Analog Voltage | | 3.3 | | V |
| Digital Voltage | | 1.8 | | V |
| PLL Voltage | | 3.3 | | V |
| IOVDD Voltage | | 3.3 | | V |
| SUPPLY CURRENT | | | | |
| Analog Current (AVDD and PVDD) | | 50 | 85 | mA |
| Digital Current (DVDD) | | 40 | 60 | mA |
| Analog Current, Reset | | 35 | 55 | mA |
| Digital Current, Reset | | 1.5 | 4.5 | mA |
| DISSIPATION | | | | |
| Operation (AVDD, DVDD, PVDD) ² | | 286.5 | | mW |
| Reset, All Supplies | | 118 | | mW |
| POWER SUPPLY REJECTION RATIO (PSRR) | | | | |
| 1 kHz, 200 mV p-p Signal at AVDD | | 50 | | dB |

¹ Maximum specifications are measured across a temperature range of -40°C to +130°C (case), a DVDD range of 1.62 V to 1.98 V, and an AVDD range of 2.97 V to 3.63 V.

² Power dissipation does not include IOVDD power because the current drawn from this supply is dependent on the loads at the digital output pins.

PLL AND OSCILLATOR

Table 4. PLL and Oscillator

| Parameter | Min | Typ | Max ¹ | Unit |
|---|----------------|-----|------------------|------|
| PLL Operating Range | MCLK_Nom - 20% | | MCLK_Nom + 20% | MHz |
| PLL Lock Time | | | 20 | ms |
| Crystal Oscillator Transconductance (g _m) | | 78 | | mmho |

¹ Maximum specifications are measured across a temperature range of -40°C to +130°C (case), a DVDD range of 1.62 V to 1.98 V, and an AVDD range of 2.97 V to 3.63 V.

REGULATOR

Table 5. Regulator

| Parameter | Min ¹ | Typ ¹ | Max ¹ | Unit |
|--------------|------------------|------------------|------------------|------|
| DVDD Voltage | 1.7 | 1.8 | 1.84 | V |

¹ Regulator specifications are calculated using a Zetex Semiconductors FZT953 transistor in the circuit.

DIGITAL TIMING SPECIFICATIONS

All timing specifications are given for the default (I²S) states of the serial input port and the serial output port (see Table 64).

Table 6. Digital Timing

| Parameter | Limit | | Unit | Description |
|------------------------------------|------------------|------------------------|------|---|
| | t _{MIN} | t _{MAX} | | |
| MASTER CLOCK | | | | |
| t _{MP} | 36 | 244 | ns | MCLKI period, 512 × f _s mode |
| t _{MP} | 48 | 366 | ns | MCLKI period, 384 × f _s mode |
| t _{MP} | 73 | 488 | ns | MCLKI period, 256 × f _s mode |
| t _{MP} | 291 | 1953 | ns | MCLKI period, 64 × f _s mode |
| SERIAL PORT | | | | |
| t _{BIL} | 40 | | ns | INPUT_BCLK (Pin 9) low pulse width |
| t _{BIH} | 40 | | ns | INPUT_BCLK (Pin 9) high pulse width |
| t _{LIS} | 10 | | ns | INPUT_LRCLK (Pin 8) setup; time to INPUT_BCLK rising |
| t _{LIH} | 10 | | ns | INPUT_LRCLK (Pin 8) hold; time from INPUT_BCLK rising |
| t _{SIS} | 10 | | ns | SDATA_INx (Pin 10, Pin 11, Pin 28, or Pin 29) setup; time to INPUT_BCLK (Pin 9) rising |
| t _{SIH} | 10 | | ns | SDATA_INx (Pin 10, Pin 11, Pin 28, or Pin 29) hold; time from INPUT_BCLK (Pin 9) rising |
| t _{LOS} | 10 | | ns | OUTPUT_LRCLK (Pin 16) setup in slave mode |
| t _{LOH} | 10 | | ns | OUTPUT_LRCLK (Pin 16) hold in slave mode |
| t _{TS} | | 5 | ns | OUTPUT_BCLK (Pin 19) falling to OUTPUT_LRCLK (Pin 16) timing skew |
| t _{SODS} | | 40 | ns | SDATA_OUTx (Pin 14, Pin 15, Pin 26, or Pin 27) delay in slave mode; time from OUTPUT_BCLK (Pin 19) falling |
| t _{SODM} | | 40 | ns | SDATA_OUTx (Pin 14, Pin 15, Pin 26, or Pin 27) delay in master mode; time from OUTPUT_BCLK (Pin 19) falling |
| SPI PORT | | | | |
| f _{CCLK} | | 6.25 | MHz | CCLK (Pin 23) frequency |
| t _{CCPL} | 80 | | ns | CCLK (Pin 23) pulse width low |
| t _{CCPH} | 80 | | ns | CCLK (Pin 23) pulse width high |
| t _{CLS} | 0 | | ns | CLATCH (Pin 21) setup; time to CCLK (Pin 23) rising |
| t _{CLH} | 100 | | ns | CLATCH (Pin 21) hold; time from CCLK (Pin 23) rising |
| t _{CLPH} | 80 | | ns | CLATCH (Pin 21) pulse width high |
| t _{CDS} | 0 | | ns | CDATA (Pin 20) setup; time to CCLK (Pin 23) rising |
| t _{CDH} | 80 | | ns | CDATA (Pin 20) hold; time from CCLK (Pin 23) rising |
| t _{COD} | | 101 | ns | COUT (Pin 22) delay; time from CCLK (Pin 23) falling |
| I²C PORT | | | | |
| f _{SCL} | | 400 | kHz | SCL (Pin 23) frequency |
| t _{SCLH} | 0.6 | | μs | SCL (Pin 23) high |
| t _{SCLL} | 1.3 | | μs | SCL (Pin 23) low |
| t _{SCS} | 0.6 | | μs | Setup time, relevant for repeated start condition |
| t _{SCH} | 0.6 | | μs | Hold time; after this period, the first clock is generated |
| t _{DS} | 100 | | ns | Data setup time |
| t _{SCR} | | 300 | ns | SCL (Pin 23) rise time |
| t _{SCF} | | 300 | ns | SCL (Pin 23) fall time |
| t _{SDR} | | 300 | ns | SDA (Pin 22) rise time |
| t _{SDF} | | 300 | ns | SDA (Pin 22) fall time |
| t _{BFT} | 0.6 | | | Bus-free time; time between stop and start |
| MULTIPURPOSE PINS AND RESET | | | | |
| t _{GRT} | | 50 | ns | GPIO (MPx pins) rise time |
| t _{GFT} | | 50 | ns | GPIO (MPx pins) fall time |
| t _{GIL} | | 1.5 × 1/f _s | μs | GPIO (MPx pins) input latency; time until high/low value is read by core |
| t _{RLPW} | 20 | | ns | RESET low pulse width |

Digital Timing Diagrams

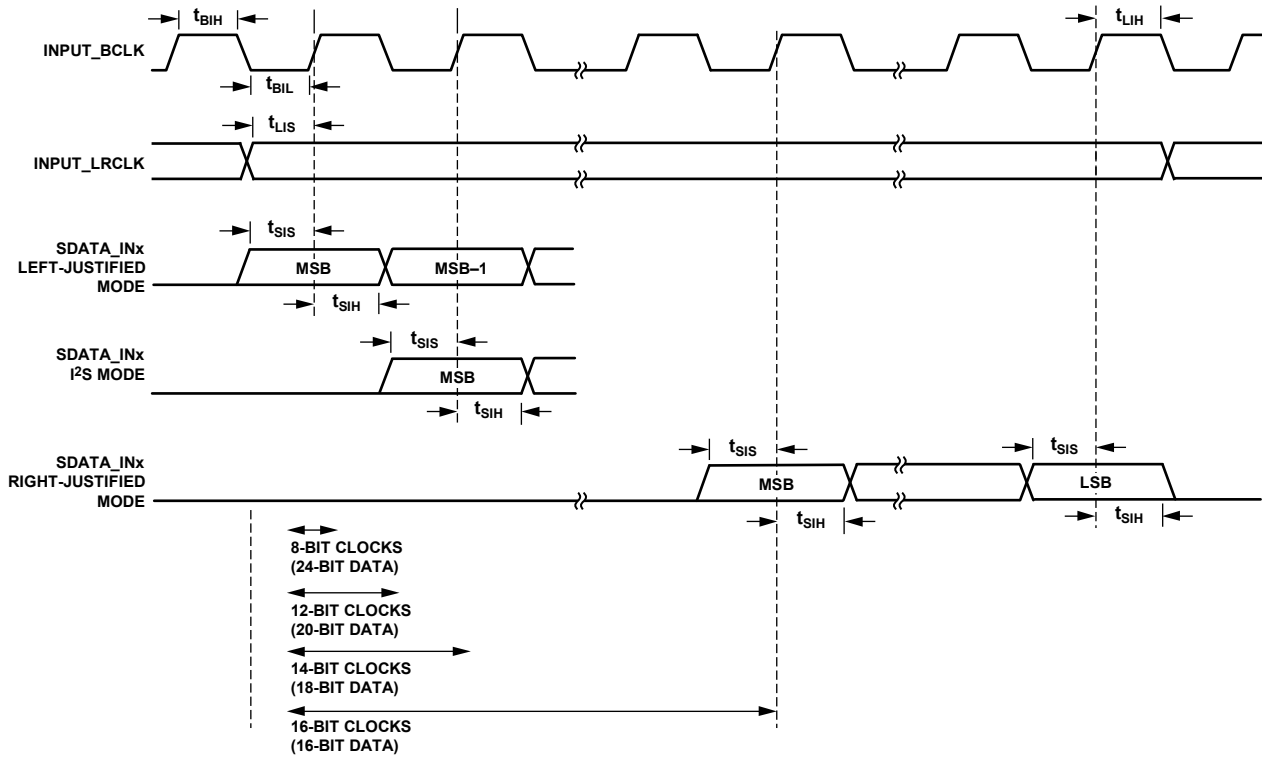


Figure 2. Serial Input Port Timing

05798-002

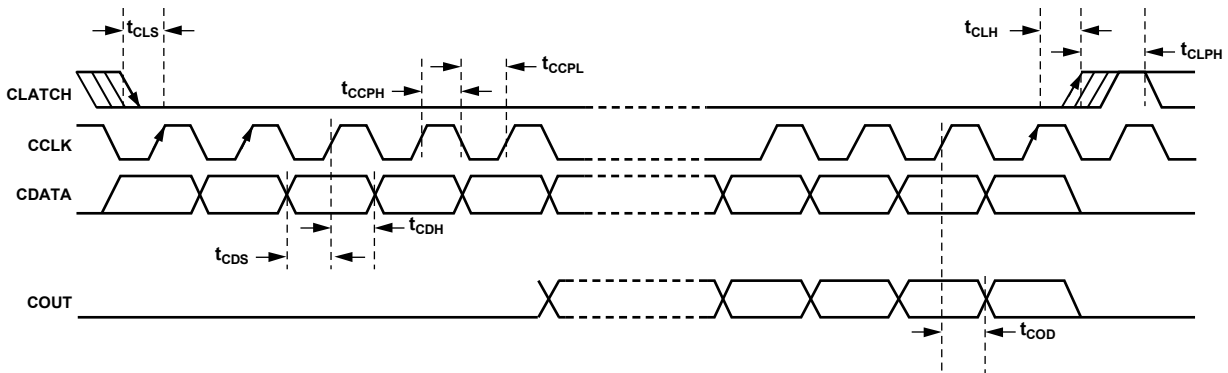


Figure 3. SPI Port Timing

05798-004

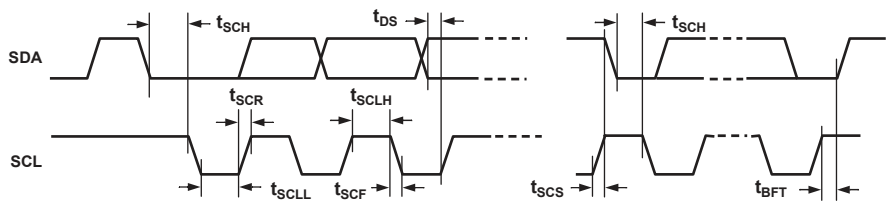


Figure 4. I²C Port Timing

05798-005

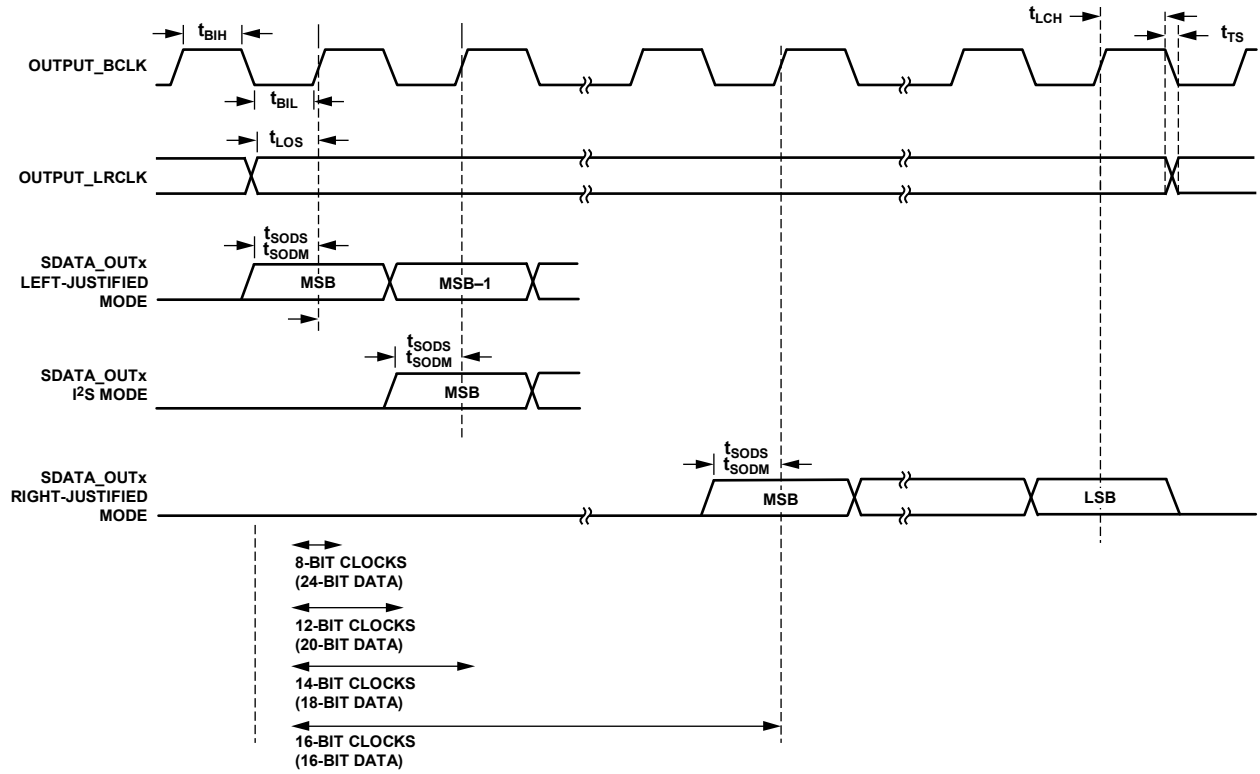


Figure 5. Serial Output Port Timing

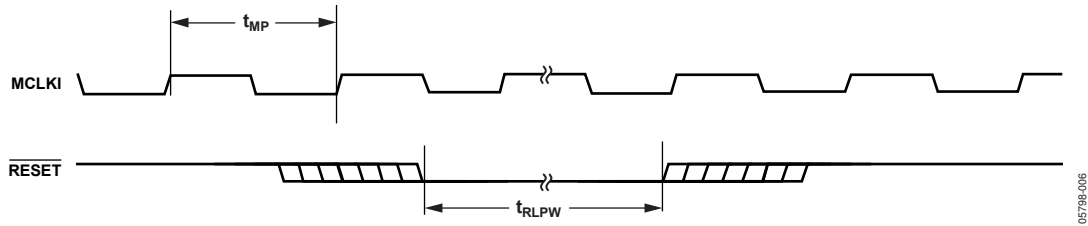


Figure 6. Master Clock and \overline{RESET} Timing

05798-003

05798-006

ABSOLUTE MAXIMUM RATINGS

Table 7.

| Parameter | Rating |
|---|-----------------------------|
| DVDD to Ground | 0 V to 2.2 V |
| AVDD to Ground | 0 V to 4.0 V |
| IOVDD to Ground | 0 V to 4.0 V |
| Digital Inputs | DGND – 0.3 V, IOVDD + 0.3 V |
| Temperature Range | |
| Storage | –65°C to +150°C |
| Operating (Ambient), Functionally Guaranteed | 0°C to +70°C |
| Maximum Junction Temperature | 135°C |
| Soldering (10 sec) | 300°C |

Stresses at or above those listed under Absolute Maximum Ratings may cause permanent damage to the product. This is a stress rating only; functional operation of the product at these or any other conditions above those indicated in the operational section of this specification is not implied. Operation beyond the maximum operating conditions for extended periods may affect product reliability.

THERMAL RESISTANCE

θ_{JA} is specified for the worst-case conditions, that is, a device soldered in a circuit board for surface-mount packages.

Table 8. Thermal Resistance

| Package Type | θ_{JA} | θ_{JC} | Unit |
|--------------|---------------|---------------|------|
| 48-Lead LQFP | 72 | 19.5 | °C/W |

ESD CAUTION



ESD (electrostatic discharge) sensitive device. Charged devices and circuit boards can discharge without detection. Although this product features patented or proprietary protection circuitry, damage may occur on devices subjected to high energy ESD. Therefore, proper ESD precautions should be taken to avoid performance degradation or loss of functionality.

PIN CONFIGURATION AND FUNCTION DESCRIPTIONS

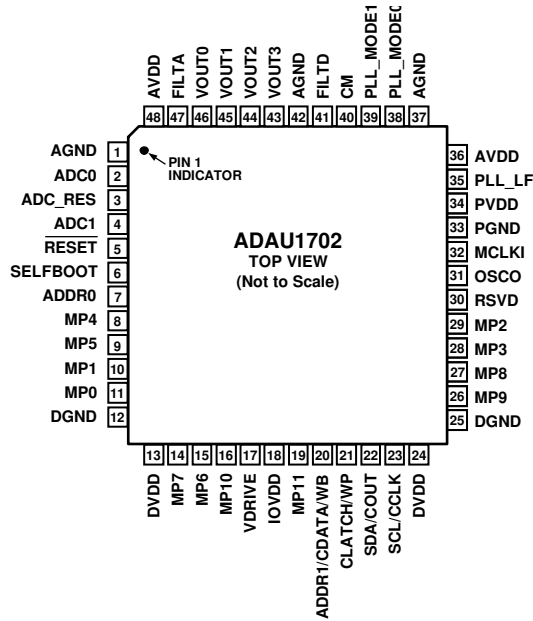


Figure 7. 48-Lead LQFP Pin Configuration

Table 9. Pin Function Descriptions

| Pin No. | Mnemonic | Type ¹ | Description |
|-----------|----------|-------------------|--|
| 1, 37, 42 | AGND | PWR | Analog Ground Pin. The AGND, DGND, and PGND pins can be tied directly together in a common ground plane. Decouple AGND to an AVDD pin with a 100 nF capacitor. |
| 2 | ADC0 | A_IN | Analog Audio Input 0. Full-scale 100 μ A rms input. Current input allows the input voltage level to be scaled with an external resistor. An 18 k Ω resistor gives a 2 V rms full-scale input. See the Audio ADCs section for details. |
| 3 | ADC_RES | A_IN | ADC Reference Current. Set the full-scale current of the ADCs with an external 18 k Ω resistor connected between this pin and ground. See the Audio ADCs section for details. |
| 4 | ADC1 | A_IN | Analog Audio Input 1. Full-scale 100 μ A rms input. Current input allows the input voltage level to be scaled with an external resistor. An 18 k Ω resistor gives a 2 V rms full-scale input. |
| 5 | RESET | D_IN | Active Low Reset Input. Reset is triggered on a high-to-low edge, and the ADAU1702 exits reset on a low-to-high edge. For more information about initialization, see the Power-Up Sequence section for details. |
| 6 | SELFBOOT | D_IN | Enable/Disable Self-Boot. SELFBOOT selects control port (low) or self-boot (high). Setting this pin high initiates a self-boot operation when the ADAU1702 is brought out of a reset. This pin can be tied directly to the control voltage or pulled up/down with a resistor. See the Self-Boot section for details. |
| 7 | ADDR0 | D_IN | I ² C and SPI Address 0. In combination with the ADDR1 function on Pin 20, this pin allows up to four ADAU1702 devices to be used on the same I ² C bus and up to two ICs to be used with a common SPI CLATCH signal. See the I ² C Port section for details. |
| 8 | MP4 | D_IO | Multipurpose GPIO or Serial Input Port LRCLK (INPUT_LRCLK). See the Multipurpose Pins section for more details. |
| 9 | MP5 | D_IO | Multipurpose GPIO or Serial Input Port BCLK (INPUT_BCLK). See the Multipurpose Pins section for more details. |
| 10 | MP1 | D_IO | Multipurpose GPIO or Serial Input Port Data 1 (SDATA_IN1). See the Multipurpose Pins section for more details. |
| 11 | MP0 | D_IO | Multipurpose GPIO or Serial Input Port Data 0 (SDATA_IN0). See the Multipurpose Pins section for more details. |
| 12, 25 | DGND | PWR | Digital Ground Pin. The AGND, DGND, and PGND pins can be tied directly together in a common ground plane. Decouple DGND to a DVDD pin with a 100 nF capacitor. |
| 13, 24 | DVDD | PWR | 1.8 V Digital Supply. This can be supplied either externally or generated from a 3.3 V supply with the on-board 1.8 V regulator. Decouple DVDD to DGND with a 100 nF capacitor. |

| Pin No. | Mnemonic | Type ¹ | Description |
|---------|----------------|-------------------|---|
| 14 | MP7 | D_IO | Multipurpose GPIO or Serial Output Port Data 1 (SDATA_OUT1). See the Multipurpose Pins section for more details. |
| 15 | MP6 | D_IO | Multipurpose GPIO, Serial Output Port Data 0, or TDM Data Output (SDATA_OUT0). See the Multipurpose Pins section for more details. |
| 16 | MP10 | D_IO | Multipurpose GPIO or Serial Output Port LRCLK (OUTPUT_LRCLK). See the Multipurpose Pins section for more details. |
| 17 | VDRIVE | A_OUT | Drive for 1.8 V Regulator. The base of the voltage regulator external PNP transistor is driven from VDRIVE. See the Voltage Regulator section for details. |
| 18 | IOVDD | PWR | Supply for Input and Output Pins. The voltage on this pin sets the highest input voltage that should be seen on the digital input pins. This pin is also the supply for the digital output signals on the control port and MP pins. Always set IOVDD to 3.3 V. The current draw of this pin is variable because it is dependent on the loads of the digital outputs. |
| 19 | MP11 | D_IO | Multipurpose GPIO or Serial Output Port BCLK (OUTPUT_BCLK). See the Multipurpose Pins section for more details. |
| 20 | ADDR1/CDATA/WB | D_IN | I ² C Address 1/SPI Data Input/EEPROM Write Back Trigger. This is a multifunction pin as follows: ADDR1: In combination with ADDR0, this sets the I ² C address of the IC so that four ADAU1702s can be used on the same I ² C bus. See the I ² C Port section for details. CDATA: See the SPI Port section for details. WB: A rising (default) or falling (if set in the EEPROM messages) edge on this pin triggers a writeback of the interface registers to the external EEPROM. This function can be used to save parameter data on power-down. See the Self-Boot section for details. |
| 21 | CLATCH/WP | D_IO | SPI Latch Signal/ Self-Boot EEPROM Write Protect. This is a multifunction pin as follows: CLATCH: must go low at the beginning of an SPI transaction and high at the end of a transaction. Each SPI transaction can take a different number of cycles on the CCLK pin to complete, depending on the address and read/write bit that are sent at the beginning of the SPI transaction. See the SPI Port section for details. WP: an open-collector output pin when in self-boot mode. The ADAU1702 pulls this low to enable writes to an external EEPROM. This pin should be pulled high to 3.3 V. See the Self-Boot section for details. |
| 22 | SDA/COUT | D_IO | I ² C Data/ SPI Data Output. This is a multifunction pin, as follows: SDA: this is for I ² C data and is a bidirectional open-collector pin. The line connected to this pin should have a 2.2 k Ω pull-up resistor. See the I ² C Port section for details. COUT: this SPI data output is used for reading back registers and memory locations. It is three-stated when an SPI read is not active. See the SPI Port section for details. |
| 23 | SCL/CCLK | D_IO | I ² C Clock/SPI Clock. This is a multifunction pin, as follows: SCL: this pin function is for the I ² C clock and is always an open-collector input when in I ² C control mode. In self-boot mode, this pin is an open-collector output (I ² C master). The line connected to this pin should have a 2.2 k Ω pull-up resistor. See the I ² C Port section for details. CCLK: this pin function is for the SPI Clock and it either runs continuously or is gated off between SPI transactions. See the SPI Port section for details. |
| 26 | MP9 | D_IO/A_IO | Multipurpose GPIO, Serial Output Port Data 3 (SDATA_OUT3), or Auxiliary ADC Input 0. See the Multipurpose Pins section for more details. |
| 27 | MP8 | D_IO/A_IO | Multipurpose GPIO, Serial Output Port Data 2 (SDATA_OUT2), or Auxiliary ADC Input 3. See the Multipurpose Pins section for more details. |
| 28 | MP3 | D_IO/A_IO | Multipurpose GPIO, Serial Input Port Data 3 (SDATA_IN3), or Auxiliary ADC Input 2. See the Multipurpose Pins section for more details. |
| 29 | MP2 | D_IO/A_IO | Multipurpose GPIO, Serial Input Port Data 2 (SDATA_IN2), or Auxiliary ADC Input 1. See the Multipurpose Pins section for more details. |
| 30 | RSVD | N/A | Reserved. Tie to ground, either directly or through a pull-down resistor. |
| 31 | OSCO | D_OUT | Crystal Oscillator Circuit Output. Connect a 100 Ω damping resistor between this pin and the crystal. Do not use this output to directly drive a clock to another IC. If the crystal oscillator is not used, this pin can be left disconnected. See the Using the Oscillator section for details. |
| 32 | MCLKI | D_IN | Master Clock Input. MCLKI can either be connected to a 3.3 V clock signal or be the input from the crystal oscillator circuit. See the Setting Master Clock/PLL Mode section for details. |

| Pin No. | Mnemonic | Type ¹ | Description |
|---------|-------------------------|-------------------|--|
| 33 | PGND | PWR | PLL Ground Pin. The AGND, DGND, and PGND pins can be tied directly together in a common ground plane. Decouple PGND to PVDD with a 100 nF capacitor. |
| 34 | PVDD | PWR | 3.3 V Power Supply for the PLL and the Auxiliary ADC Analog Section. Decouple this pin should to PGND with a 100 nF capacitor. |
| 35 | PLL_LF | A_OUT | PLL Loop Filter Connection. Two capacitors and a resistor need to be connected to this pin, as shown in Figure 15. See the Setting Master Clock/PLL Mode section for more details. |
| 36, 48 | AVDD | PWR | 3.3 V Analog Supply. Decouple this pin to AGND with a 100 nF capacitor. |
| 38, 39 | PLL_MODE0, PLL_MODE1 | D_IN | PLL Mode Setting. PLL_MODE0 and PLL_MODE1 set the output frequency of the master clock PLL. See the Setting Master Clock/PLL Mode section for more details. |
| 40 | CM | A_OUT | 1.5 V Common-Mode Reference. Connect a 47 μ F decoupling capacitor between this pin and ground to reduce crosstalk between the ADCs and DACs. The material of the capacitors is not critical. This pin can be used to bias external analog circuits, as long as those circuits are not drawing current from the pin (such as when CM is connected to the noninverting input of an op amp). |
| 41 | FILTD | A_OUT | DAC Filter Decoupling Pin. Connect a 10 μ F capacitor between this pin and ground. The capacitor material is not critical. The voltage on this pin is 1.5 V. |
| 43 | VOUT3 | A_OUT | VOUT3 DAC Output. The full-scale output voltage is 0.9 V rms. This output can be used with either an active or passive output reconstruction filter. See the Audio DACs section for details. |
| 44 | VOUT2 | A_OUT | VOUT2 DAC Output. The full-scale output voltage is 0.9 V rms. This output can be used with either an active or passive output reconstruction filter. See the Audio DACs section for details. |
| 45 | VOUT1 | A_OUT | VOUT1 DAC Output. The full-scale output voltage is 0.9 V rms. This output can be used with either an active or passive output reconstruction filter. See the Audio DACs section for details. |
| 46 | VOUT0 | A_OUT | VOUT0 DAC Output. The full-scale output voltage is 0.9 V rms. This output can be used with either an active or passive output reconstruction filter. See the Audio DACs section for details. |
| 47 | FILTA | A_OUT | ADC Filter Decoupling Pin. Connect a 10 μ F capacitor between this pin and ground. The capacitor material is not critical. The voltage on this pin is 1.5 V. |

¹ PWR is power/ground, A_IN is analog input, D_IN is digital input, A_OUT is analog output, D_IN is digital input/output, D_IO is digital input/output, A_IO is analog input/output, and N/A is not applicable.

TYPICAL PERFORMANCE CHARACTERISTICS

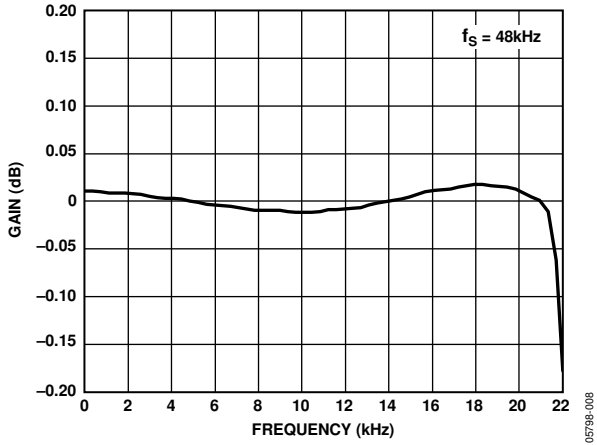


Figure 8. ADC Pass-Band Filter Response

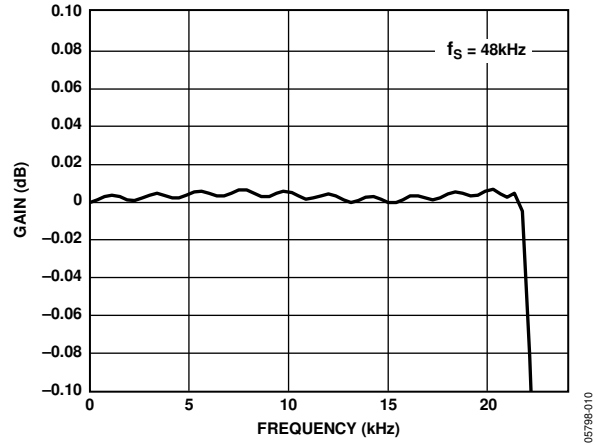


Figure 10. DAC Pass-Band Filter Response

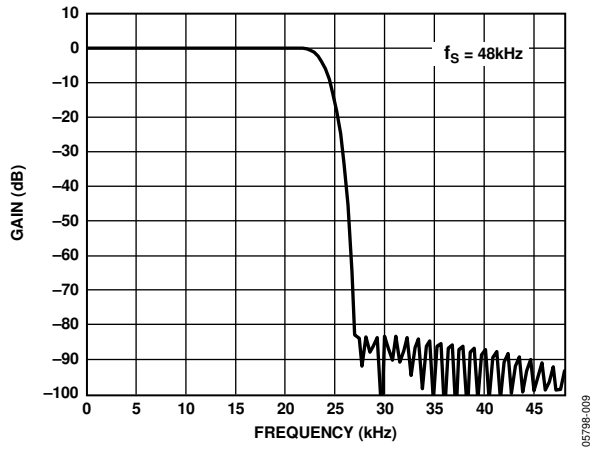


Figure 9. ADC Stop-Band Filter Response

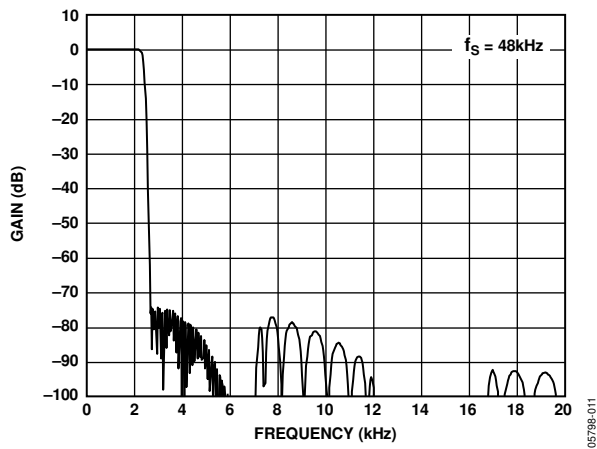


Figure 11. DAC Stop-Band Filter Response

SYSTEM BLOCK DIAGRAM

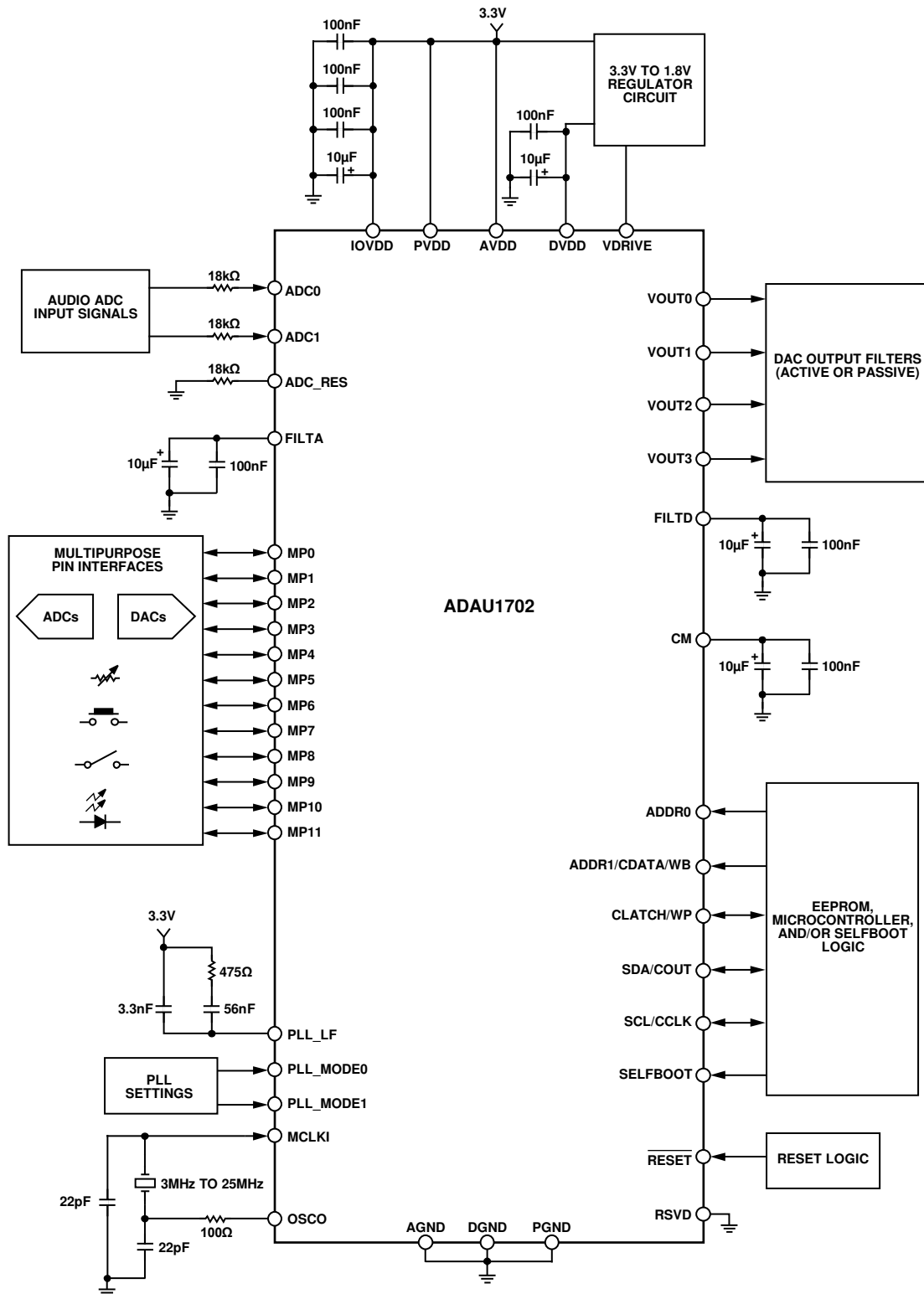


Figure 12. System Block Diagram

05796-012

THEORY OF OPERATION

The core of the [ADAU1702](#) is a 28-bit DSP (56-bit with double precision processing) optimized for audio processing. The program and parameter RAMs can be loaded with a custom audio processing signal flow built by using SigmaStudio graphical programming software from Analog Devices, Inc. The values stored in the parameter RAM control individual signal processing blocks, such as equalization filters, dynamics processors, audio delays, and mixer levels. A safeload feature allows for transparent parameter updates and prevents clicks in the output signals.

The program RAM, parameter RAM, and register contents can be saved in an external EEPROM, from which the [ADAU1702](#) can self-boot on startup. In this standalone mode, parameters can be controlled through the on-board multipurpose pins. The [ADAU1702](#) can accept controls from switches, potentiometers, rotary encoders, and IR receivers. Parameters such as volume and tone settings can be saved to the EEPROM on power-down and recalled on power-up.

The [ADAU1702](#) can operate with digital or analog inputs and outputs, or a mix of both. The stereo ADC and four DACs each have an SNR of at least +100 dB and a THD + N of at least -83 dB. The 8-channel, flexible serial data input/output ports allow glueless interconnection to a variety of ADCs, DACs, general-purpose DSPs, S/PDIF receivers and transmitters, and sample rate converters. The serial ports of the [ADAU1702](#) can be configured in I²S, left justified, right justified, or TDM serial port compatible modes.

Twelve multipurpose (MP) pins allow the [ADAU1702](#) to receive external control signals as input and to output flags or controls to other devices in the system. The MP pins can be configured as digital I/Os, inputs to the 4-channel auxiliary ADC, or serial data I/O ports. As inputs, they can be connected to buttons, switches, rotary encoders, potentiometers, IR receivers, or other external circuitry to control the internal signal processing program. When configured as outputs, these pins can drive LEDs, control other ICs, or connect to other external circuitry in an application.

The [ADAU1702](#) has a sophisticated control port that supports complete read/write capability of all memory locations. Control registers are provided to offer complete control of the configuration and serial modes of the chip. The [ADAU1702](#) can be configured for either SPI or I²C control, or can self-boot from an external EEPROM.

An on-board oscillator can be connected to an external crystal to generate the master clock. In addition, a master clock phase-locked loop (PLL) allows the [ADAU1702](#) to be clocked from

various clock speeds. The PLL can accept inputs of $64 \times f_s$, $256 \times f_s$, $384 \times f_s$, or $512 \times f_s$ to generate the internal master clock of the core.

The SigmaStudio software is used to program and control the SigmaDSP® through the control port. Along with designing and tuning a signal flow, the tools can be used to configure all of the DSP registers and burn a new program into the external EEPROM. The SigmaStudio graphical interface allows anyone with digital or analog audio processing knowledge to easily design a DSP signal flow and port it to a target application. At the same time, it provides enough flexibility and programmability for an experienced DSP programmer to have in-depth control of the design. In SigmaStudio, the user can connect graphical blocks (such as biquad filters, dynamics processors, mixers, and delays), compile the design, and load the program and parameter files into the [ADAU1702](#) memory through the control port. Signal processing blocks available in the provided libraries include

- Single- and double-precision biquad filters
- Processors with peak or rms detection for monochannel and multichannel dynamics
- Mixers and splitters
- Tone and noise generators
- Fixed and variable gain
- Loudness
- Delay
- Stereo enhancement
- Dynamic bass boost
- Noise and tone sources
- FIR filters
- Level detectors
- GPIO control and conditioning

Additional processing blocks are always being developed. Analog Devices also provides proprietary and third-party algorithms for applications such as matrix decoding, bass enhancement, and surround virtualizers. Contact Analog Devices for information about licensing these algorithms.

The [ADAU1702](#) operates from a 1.8 V digital power supply and a 3.3 V analog supply. An on-board voltage regulator can be used to operate the chip from a single 3.3 V supply. It is fabricated on a single monolithic, integrated circuit and is packaged in a 48-lead LQFP for operation over the 0°C to +70°C temperature range.

INITIALIZATION

This section details the procedure for properly setting up the ADAU1702. The following five-step sequence provides an overview of how to initialize the IC:

1. Apply power to ADAU1702.
2. Wait for PLL to lock.
3. Load the SigmaDSP program and parameters.
4. Set up the registers (including multipurpose pins and digital interfaces).
5. Turn off the default muting of the converters, clear the data registers, and initialize the DAC setup register (see the Control Registers Setup section for specific settings).

POWER-UP SEQUENCE

The ADAU1702 has a built-in power-up sequence that initializes the contents of all internal RAMs on power-up or when the device is brought out of a reset. On the positive edge of RESET, the contents of the Internal Program Boot ROM are copied to the Internal Program RAM memory, the parameter RAM, is filled with values (all 0s) from its associated Boot ROM, and all registers are initialized to 0s. The default Boot ROM program copies audio from the inputs to the outputs without processing it (see Figure 13). In this program, serial digital Input 0 and Input 1 are output on DAC0 and DAC1 and serial digital Output 0 and Output 1. ADC0 and ADC1 are output on DAC2 and DAC3. The data memories are also zeroed at power-up. Do not write new values to the control port until the initialization is complete.

Table 10. Power-Up Time

| MCLKI Input | Init. Time | Max Program/Parameter/Register Boot Time (I ² C) | Total |
|------------------------------------|------------|---|--------|
| 3.072 MHz (64 × f _s) | 85 ms | 133 ms | 218 ms |
| 11.289 MHz (256 × f _s) | 23 ms | 133 ms | 156 ms |
| 12.288 MHz (256 × f _s) | 21 ms | 133 ms | 154 ms |
| 18.432 MHz (384 × f _s) | 16 ms | 133 ms | 149 ms |
| 24.576 MHz (512 × f _s) | 11 ms | 133 ms | 144 ms |

The PLL start-up time lasts for 2¹⁸ cycles of the clock on the MCLKI pin. This time ranges from 10.7 ms for a 24.576 MHz (512 × f_s) input clock to 85.3 ms for a 3.072 MHz (64 × f_s) input clock and is measured from the rising edge of RESET. Following the PLL startup, the duration of the ADAU1702 boot cycle is about 42 μs for a f_s of 48 kHz. The user should avoid writing to or reading from the ADAU1702 during this start-up time.

For an MCLK input of 12.288 MHz, the full initialization sequence (PLL startup plus boot cycle) is approximately 21 ms. As the device comes out of a reset, the clock mode is immediately set by the PLL_MODE0 and PLL_MODE1 pins. The reset is synchronized to the falling edge of the internal clock.

Table 10 lists typical times to boot the ADAU1702 into an operational state of an application, assuming a 400 kHz I²C clock loading a full program, parameter set, and all registers (about 6.5 kB). In reality, most applications do not fill the RAMs and therefore boot time (Column 3 of Table 10) is less.

CONTROL REGISTERS SETUP

The following registers must be set as described in this section to initialize the ADAU1702. These settings are the basic minimum settings needed to operate the IC with an analog input/output of 48 kHz. More registers may need to be set, depending on the application. See the RAMs and Registers section for additional settings.

DSP Core Control Register (Address 2076)

Set Bits[4:2] (ADM, DAM, and CR) each to 1.

DAC Setup Register (Address 2087)

Set Bits[0:1] (DS[1:0]) to 01.

RECOMMENDED PROGRAM/PARAMETER LOADING PROCEDURE

When writing large amounts of data to the program or parameter RAM in direct write mode, the processor core should be disabled to prevent unpleasant noises from appearing in the audio output.

1. Set Bit 3 and Bit 4 (active low) of the core control register to 1 to mute the ADCs and DACs. This begins a volume ramp-down.
2. Set Bit 2 (active low) of the core control register to 1. This zeroes the SigmaDSP accumulators, the data output registers, and the data input registers.
3. Fill the program RAM using burst mode writes.
4. Fill the parameter RAM using burst mode writes.
5. Deassert Bit 2 to Bit 4 of the core control register.

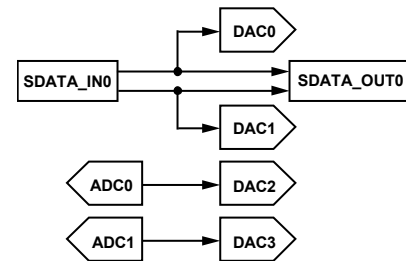


Figure 13. Default Program Signal Flow

05789-013

POWER REDUCTION MODES

Sections of the ADAU1702 chip can be turned on and off as needed to reduce power consumption. These include the ADCs, DACs, and voltage reference.

The individual analog sections can be turned off by writing to the auxiliary ADC and power control register. By default, the ADCs, DACs, and reference are enabled (all bits set to 0). Each of these can be turned off by writing a 1 to the appropriate bits in this register. The ADC power-down mode powers down both ADCs, and each DAC can be powered down individually. The current savings is about 15 mA when the ADCs are powered down and about 4 mA for each DAC that is powered down. The voltage reference, which is supplied to both the ADCs and DACs, should only be powered down if all ADCs and DACs are powered down. The reference is powered down by setting both Bit 6 and Bit 7 of the control register.

USING THE OSCILLATOR

The ADAU1702 can use an on-board oscillator to generate its master clock. The oscillator is designed to work with a $256 \times f_s$ master clock, which is 12.288 MHz for a f_s of 48 kHz and 11.2896 MHz for a f_s of 44.1 kHz. The crystal in the oscillator circuit should be an AT-cut, parallel resonator operating at its fundamental frequency. Figure 14 shows the external circuit recommended for proper operation.

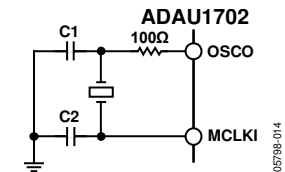


Figure 14. Crystal Oscillator Circuit

The 100 Ω damping resistor on OSCO gives the oscillator a voltage swing of approximately 2.2 V. The crystal shunt capacitance should be 7 pF. Its load capacitance should be about 18 pF, although the circuit supports values of up to 25 pF. The necessary values of the C1 and C2 load capacitors can be calculated from the crystal load capacitance as follows:

$$C_L = \frac{C1 \times C2}{C1 + C2} + C_{stray}$$

where C_{stray} is the stray capacitance in the circuit and is usually assumed to be approximately 2 pF to 5 pF.

OSCO should not be used to drive the crystal signal directly to another IC. This signal is an analog sine wave, and it is not appropriate to use it to drive a digital input. There are two options for using the ADAU1702 to provide a master clock to other ICs in the system. The first, and less recommended, method is to use a high impedance input digital buffer on the OSCO signal. If this approach is used, minimize the trace length to the buffer input. The second method is to use a clock from the serial output port. Pin MP11 can be set as an output (master) clock divided down from the internal core clock. If this pin is set to serial output port (OUTPUT_BCLK) mode in the multipurpose pin configuration

register (Address 2081) and the port is set to master in the serial output control register (Address 2078), the desired output frequency can also be set in the serial output control register with the OBF[1:0] bits (see Table 47).

If the oscillator is not used in the design, it can be powered down to save power. This can be done if a system master clock is already available in the system. By default, the oscillator is powered on. The oscillator powers down when a 1 is written to the OPD bit of the oscillator power-down register (see Table 58).

SETTING MASTER CLOCK/PLL MODE

The MCLKI input of the ADAU1702 feeds a PLL, which generates the 25 MIPS SigmaDSP core clock. In normal operation, the input to MCLKI must be one of the following: $64 \times f_s$, $256 \times f_s$, $384 \times f_s$, or $512 \times f_s$, where f_s is the input sampling rate. The mode is set on PLL_MODE0 and PLL_MODE1 as described in Table 11. If the ADAU1702 is set to receive double-rate signals (by reducing the number of program steps per sample by a factor of 2 using the core control register), the master clock frequency must be $32 \times f_s$, $128 \times f_s$, $192 \times f_s$, or $256 \times f_s$. If the ADAU1702 is set to receive quad-rate signals (by reducing the number of program steps per sample by a factor of 4 using the core control register), the master clock frequency must be $16 \times f_s$, $64 \times f_s$, $96 \times f_s$, or $128 \times f_s$. On power-up, a clock signal must be present on the MCLKI pin so that the ADAU1702 can complete its initialization routine.

Table 11. PLL Modes

| MCLKI Input | PLL_MODE0 | PLL_MODE1 |
|------------------|-----------|-----------|
| $64 \times f_s$ | 0 | 0 |
| $256 \times f_s$ | 0 | 1 |
| $384 \times f_s$ | 1 | 0 |
| $512 \times f_s$ | 1 | 1 |

Do not change the clock mode without also resetting the ADAU1702. If the mode is changed during operation, a click or pop can result in the output signals. Change the state of the PLL_MODEx pins while holding RESET low.

Connect the PLL loop filter to the PLL_LF pin. This filter, shown in Figure 15, includes three passive components—two capacitors and a resistor. The values of these components do not need to be exact; the tolerance can be up to 10% for the resistor and up to 20% for the capacitors. The 3.3 V signal shown in Figure 15 can be connected to the AVDD supply of the chip.

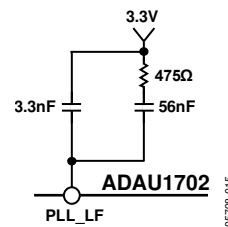


Figure 15. PLL Loop Filter

VOLTAGE REGULATOR

The digital voltage of the ADAU1702 must be set to 1.8 V. The chip includes an on-board voltage regulator that allows the device to be used in systems without an available 1.8 V supply but with an available 3.3 V supply. The only external components needed in such instances are a PNP transistor, a resistor, and a few bypass capacitors. Only one pin, VDRIVE, is necessary to support the regulator.

The recommended design for the voltage regulator is shown in Figure 16. The 10 μ F and 100 nF capacitors shown in this configuration are recommended for bypassing, but are not necessary for operation. Each DVDD pin should have its own 100 nF bypass capacitor, but only one bulk capacitor (10 μ F to 47 μ F) is needed for both DVDD pins. With this configuration, 3.3 V is the main system voltage; 1.8 V is generated at the transistor's collector, which is connected to the DVDD pins. VDRIVE is connected to the base of the PNP transistor. If the regulator is not used in the design, VDRIVE can be tied to ground.

Two specifications must be considered when choosing a regulator transistor: The transistor's current amplification factor (h_{FE} or beta) should be at least 100, and the transistor's collector must be able to dissipate the heat generated when regulating from 3.3 V to 1.8 V. The maximum digital current drawn from the ADAU1702 is 60 mA. The equation to determine the minimum power dissipation of the transistor is as follows:

$$(3.3 \text{ V} - 1.8 \text{ V}) \times 60 \text{ mA} = 90 \text{ mW}$$

There are many transistors with these specifications available in small SOT-23 or SOT-223 packages.

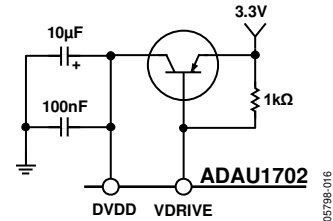


Figure 16. Voltage Regulator Configuration

AUDIO ADCs

The ADAU1702 has two Σ - Δ ADCs. The signal-to-noise ratio (SNR) of the ADCs is 100 dB, and the THD + N is -83 dB.

The stereo audio ADCs are current input; therefore, a voltage-to-current resistor is required on the inputs. This means that the voltage level of the input signals to the system can be set to any level; only the input resistors need to be scaled to provide the proper full-scale current input. The ADC0 and ADC1 input pins, as well as ADC_RES, have an internal 2 k Ω resistor for ESD protection. The voltage seen directly on the ADC input pins is the 1.5 V common mode.

The external resistor connected to ADC_RES sets the full-scale current input of the ADCs. The full range of the ADC inputs is 100 μ A rms with an external 18 k Ω resistor on ADC_RES (20 k Ω total, because it is in series with the internal 2 k Ω). The only reason to change the ADC_RES resistor is if a sampling rate other than 48 kHz is used.

The voltage-to-current resistors connected to ADC0/ADC1 set the full-scale voltage input of the ADCs. With a full-scale current input of 100 μ A rms, a 2.0 V rms signal with an external 18 k Ω resistor (in series with the 2 k Ω internal resistor) results in an input using the full range of the ADC. The matching of these resistors to the ADC_RES resistor is important to the operation of the ADCs. For these three resistors, a 1% tolerance is recommended.

Either the ADC0 and/or ADC1 input pins can be left unconnected if that channel of the ADC is unused.

These calculations of resistor values assume a 48 kHz sample rate. The recommended input and current setting resistors scale linearly with the sample rate because the ADCs have a switched-capacitor input. The total value (2 k Ω internal plus external resistor) of the ADC_RES resistor with sample rate f_{S_NEW} can be calculated as follows:

$$R_{TOTAL} = 20 \text{ k}\Omega \times \frac{48,000}{f_{S_NEW}}$$

The values of the resistors (internal plus external) in series with the ADC0 and ADC1 pins can be calculated as follows:

$$R_{INPUT\ TOTAL} = (rms \text{ Input Voltage}) \times 10 \text{ k}\Omega \times \frac{48,000}{f_{S_NEW}}$$

Table 12 lists the external and total resistor values for common signal input levels at a 48 kHz sampling rate. A full-scale rms input voltage of 0.9 V is shown in the table because a full-scale signal at this input level is equal to a full-scale output on the DACs.

Table 12. ADC Input Resistor Values

| Full-Scale RMS Input Voltage (V) | ADC_RES Value (k Ω) | ADC0/ADC1 Resistor Value (k Ω) | Total ADC0/ADC1 Input Resistance (External + Internal) (k Ω) |
|----------------------------------|-----------------------------|--|--|
| 0.9 | 18 | 7 | 9 |
| 1.0 | 18 | 8 | 10 |
| 2.0 | 18 | 18 | 20 |

Figure 17 shows a typical configuration of the ADC inputs for a 2.0 V rms input signal for a f_s of 48 kHz. The 47 μ F capacitors are used to ac-couple the signals so that the inputs are biased at 1.5 V.

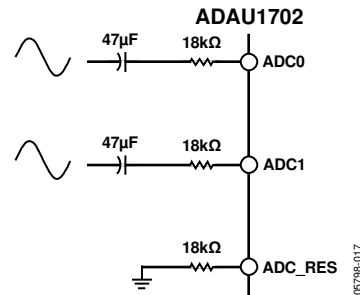


Figure 17. Audio ADC Input Configuration

AUDIO DACs

The ADAU1702 includes four Σ - Δ DACs. The SNR of the DAC is 104 dB, and the THD + N is -90 dB. A full-scale output on the DACs is 0.9 V rms (2.5 V p-p).

The DACs are in an inverting configuration. If a signal inversion from input to output is undesirable, it can be reversed either by using an inverting configuration for the output filter or by simply inverting the signal in the SigmaDSP program flow.

The DAC outputs can be filtered with either an active or a passive reconstruction filter. A single-pole, passive, low-pass filter with a 50 kHz corner frequency, as shown in Figure 18, is sufficient to filter the DAC out-of-band noise, although an active filter may provide better audio performance. Figure 19

shows a triple-pole, active, low-pass filter that provides a steeper roll-off and better stop-band attenuation than the passive filter. In this configuration, the V+ and V- pins of the AD8606 op amp are set to AVDD and ground, respectively.

To properly initialize the DACs, the DS[1:0] bits in the DAC setup register (Address 2087) should be set to 01.

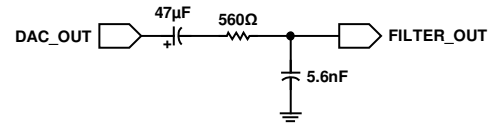


Figure 18. Passive DAC Output Filter

05798-018

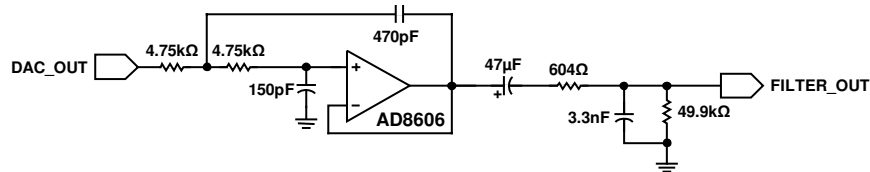


Figure 19. Active DAC Output Filter

05798-019

CONTROL PORTS

The ADAU1702 can operate in one of three control modes:

- I²C control
- SPI control
- Self-boot (no external controller)

The ADAU1702 has both a 4-wire SPI control port and a 2-wire I²C bus control port. Each can be used to set the RAMs and registers. When the SELFBOOT pin is low at power-up, the part defaults to I²C mode but can be put into SPI control mode by pulling the CLATCH/WP pin low three times. When the SELFBOOT pin is set high at power-up, the ADAU1702 loads its program, parameters, and register settings from an external EEPROM on startup.

The control port is capable of full read/write operation for all addressable memory and registers. Most signal processing parameters are controlled by writing new values to the parameter RAM using the control port. Other functions, such as mute and input/output mode control, are programmed by writing to the registers.

All addresses can be accessed in a single address mode or a burst mode. The first byte (Byte 0) of a control port write contains the 7-bit chip address plus the R/W bit. The next two bytes (Byte 1 and Byte 2) together form the subaddress of the memory or register location within the ADAU1702. This subaddress must be two bytes because the memory locations

within the ADAU1702 are directly addressable and their sizes exceed the range of single byte addressing. All subsequent bytes (starting with Byte 3) contain the data, such as control port data, program data, or parameter data. The number of bytes per word depends on the type of data that is being written. The exact formats for specific types of writes are shown in Table 20 to Table 29.

The ADAU1702 has several mechanisms for updating signal processing parameters in real time without causing pops or clicks. If large blocks of data need to be downloaded, the output of the DSP core can be halted (using the CR bit in the DSP core control register (Address 2076)), new data can be loaded, and then the device can be restarted. This is typically done during the booting sequence at startup or when loading a new program into RAM. In cases where only a few parameters need to be changed, they can be loaded without halting the program. To avoid unwanted side effects while loading parameters on the fly, the SigmaDSP provides safeload registers. The safeload registers can be used to buffer a full set of parameters (for example, the five coefficients of a biquad) and then transfer these parameters into the active program within one audio frame. The safeload mode uses internal logic to prevent contention between the DSP core and the control port.

The control port pins are multifunctional, depending on the mode in which the part is operating. Table 13 details these multiple functions.

Table 13. Control Port Pins and SELFBOOT Pin Functions

| Pin | I ² C Mode | SPI Mode | Self-Boot |
|----------------|-------------------------------------|--------------|--|
| SCL/CCLK | SCL—input | CCLK—input | SCL—output |
| SDA/COUT | SDA—open-collector output | COUT—output | SDA—open-collector output |
| ADDR1/CDATA/WB | ADDR1—input | CDATA—input | WB—writeback trigger |
| CLATCH/WP | Unused input—tie to ground or IOVDD | CLATCH—input | WP—EEPROM write protect, open-collector output |
| ADDR0 | ADDR0—input | ADDR0—input | Unused input—tie to ground or IOVDD |

I²C PORT

The ADAU1702 supports a 2-wire serial (I²C-compatible) microprocessor bus driving multiple peripherals. Two pins, serial data (SDA) and serial clock (SCL), carry information between the ADAU1702 and the system I²C master controller. In I²C mode, the ADAU1702 is always a slave on the bus, meaning it cannot initiate a data transfer. Each slave device is recognized by a unique address. The address byte format is shown in Table 14. The ADAU1702 slave addresses are set with the ADDR0 and ADDR1 pins. The address resides in the first seven bits of the I²C write. The LSB of this byte sets either a read or write operation. Logic Level 1 corresponds to a read operation, and Logic Level 0 corresponds to a write operation. Bit 5 and Bit 6 of the address are set by tying the ADDR_x pins of the ADAU1702 to Logic Level 0 or Logic Level 1. The full byte addresses, including the pin settings and read/write (R/W) bit, are shown in Table 15.

Burst mode addressing, where the subaddresses are automatically incremented at word boundaries, can be used for writing large amounts of data to contiguous memory locations. This increment happens automatically after a single-word write unless a stop condition is encountered. The registers and RAMs in the ADAU1702 range in width from one to five bytes, so the auto-increment feature knows the mapping between subaddresses and the word length of the destination register (or memory location). A data transfer is always terminated by a stop condition.

Both SDA and SCL should have 2.2 kΩ pull-up resistors on the lines connected to them. The voltage on these signal lines should not be more than IOVDD (3.3 V).

Table 14. ADAU1702 I²C Address Byte Format

| Bit 0 | Bit 1 | Bit 2 | Bit 3 | Bit 4 | Bit 5 | Bit 6 | Bit 7 |
|-------|-------|-------|-------|-------|-------|-------|-------|
| 0 | 1 | 1 | 0 | 1 | ADDR1 | ADDR0 | R/W |

Table 15. ADAU1702 I²C Addresses

| ADDR1 | ADDR0 | R/W | Slave Address |
|-------|-------|-----|---------------|
| 0 | 0 | 0 | 0x68 |
| 0 | 0 | 1 | 0x69 |
| 0 | 1 | 0 | 0x6A |
| 0 | 1 | 1 | 0x6B |
| 1 | 0 | 0 | 0x6C |
| 1 | 0 | 1 | 0x6D |
| 1 | 1 | 0 | 0x6E |
| 1 | 1 | 1 | 0x6F |

Addressing

Initially, each device on the I²C bus is in an idle state monitoring the SDA and SCL lines for a start condition and the proper address. The I²C master initiates a data transfer by establishing a start condition, defined by a high-to-low transition on SDA while SCL remains high. This indicates that an address or an address and a data stream follow. All devices on the bus respond to the start condition and shift the next eight bits (the 7-bit address plus the R/W bit) MSB first. The device that recognizes the transmitted address responds by pulling the data line low during the ninth clock pulse. This ninth bit is known as an acknowledge bit. All other devices withdraw from the bus at this point and return to the idle condition. The R/W bit determines the direction of the data. A Logic 0 on the LSB of the first byte means the master writes information to the peripheral, whereas a Logic 1 means the master reads information from the peripheral after writing the subaddress and repeating the start address. A data transfer takes place until a stop condition is encountered. A stop condition occurs when SDA transitions from low to high while SCL is held high. Figure 20 shows the timing of an I²C write, and Figure 21 shows an I²C read.

Stop and start conditions can be detected at any stage during the data transfer. If these conditions are asserted out of sequence with normal read and write operations, the ADAU1702 immediately jumps to the idle condition. During a given SCL high period, the user should only issue one start condition, one stop condition, or a single stop condition followed by a single start condition. If an invalid subaddress is issued by the user, the ADAU1702 does not issue an acknowledge and returns to the idle condition. If the user exceeds the highest subaddress while in auto-increment mode, one of two actions is taken. In read mode, the ADAU1702 outputs the highest subaddress register contents until the master device issues a no acknowledge, indicating the end of a read. A no-acknowledge condition is where the SDA line is not pulled low on the ninth clock pulse on SCL. On the other hand, if the highest subaddress location is reached while in write mode, the data for the invalid byte is not loaded into any subaddress register, a no acknowledge is issued by the ADAU1702, and the part returns to the idle condition.

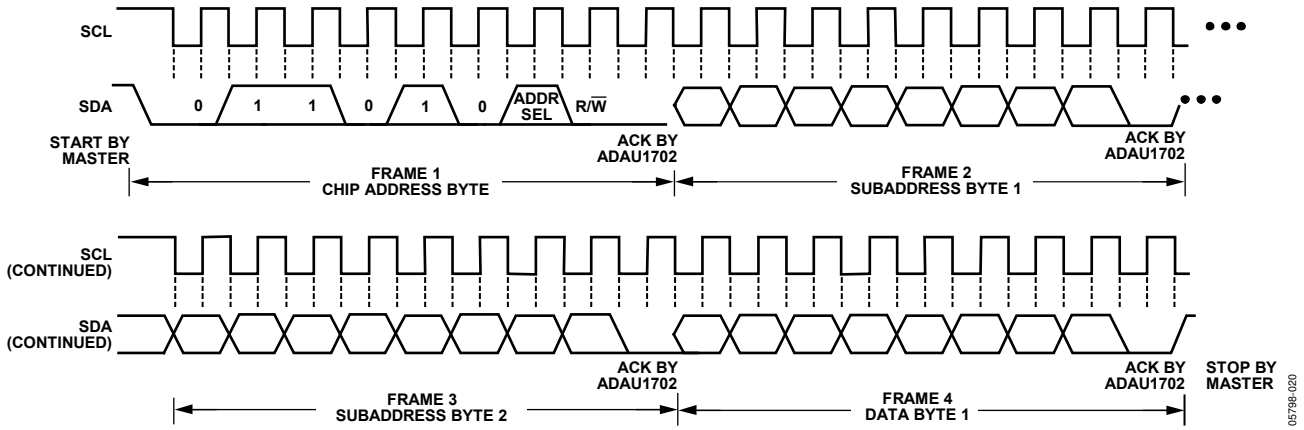


Figure 20. I²C Write to ADAU1702 Clcking

05798-020

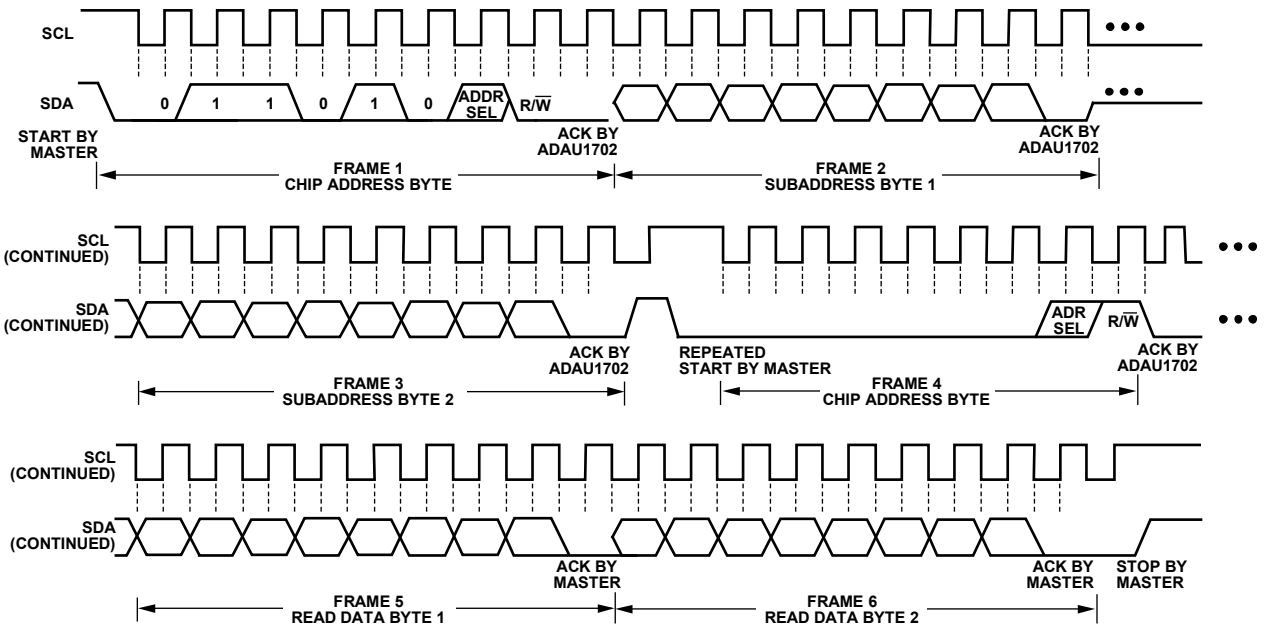


Figure 21. I²C Read from ADAU1702 Clcking

05798-021

I²C Read and Write Operations

Figure 22 shows the timing of a single-word write operation. Every ninth clock, the ADAU1702 issues an acknowledge by pulling SDA low.

Figure 23 shows the timing of a burst mode write sequence. This figure shows an example where the target destination registers are two bytes. The ADAU1702 knows to increment its subaddress register every two bytes because the requested subaddress corresponds to a register or memory area with a two-byte word length.

The timing of a single-word read operation is shown in Figure 24. Note that the first R/W bit is 0, indicating a write operation. This is because the subaddress still needs to be written to set up the internal address. After the ADAU1702 acknowledges the receipt of the subaddress, the master must issue a repeated start command followed by the chip address byte with the R/W set to 1 (read). This causes the ADAU1702 SDA to reverse and begin driving data back to the master. The

master then responds every ninth pulse with an acknowledge pulse to the ADAU1702.

Figure 25 shows the timing of a burst mode read sequence. This figure shows an example where the target read registers are two bytes. The ADAU1702 increments its subaddress every two bytes because the requested subaddress corresponds to a register or memory area with word lengths of two bytes. Other addresses may have word lengths ranging from one to five bytes. The ADAU1702 always decodes the subaddress and sets the auto-increment circuit so that the address increments after the appropriate number of bytes.

Figure 22 to Figure 25 use the following abbreviations:

S is the start bit.

P is the stop bit.

AM means acknowledge by master.

AS means acknowledge by slave.

| | | | | | | | | | | | | | |
|---|-----------------------|----|-----------------|----|----------------|----|-------------|----|-------------|-----|----|-------------|---|
| S | CHIP ADDRESS, R/W = 0 | AS | SUBADDRESS HIGH | AS | SUBADDRESS LOW | AS | DATA BYTE 1 | AS | DATA BYTE 2 | ... | AS | DATA BYTE N | P |
|---|-----------------------|----|-----------------|----|----------------|----|-------------|----|-------------|-----|----|-------------|---|

Figure 22. Single Word I²C Write Format

05798-022

| | | | | | | | | | | | | | | | | |
|---|-----------------------|----|-----------------|----|----------------|----|---------------------|----|---------------------|----|---------------------|----|---------------------|----|-----|---|
| S | CHIP ADDRESS, R/W = 0 | AS | SUBADDRESS HIGH | AS | SUBADDRESS LOW | AS | DATA-WORD 1, BYTE 1 | AS | DATA-WORD 1, BYTE 2 | AS | DATA-WORD 2, BYTE 1 | AS | DATA-WORD 2, BYTE 2 | AS | ... | P |
|---|-----------------------|----|-----------------|----|----------------|----|---------------------|----|---------------------|----|---------------------|----|---------------------|----|-----|---|

Figure 23. Burst Mode I²C Write Format

05798-023

| | | | | | | | | | | | | | | | | |
|---|-----------------------|----|-----------------|----|----------------|----|---|-----------------------|----|-------------|----|-------------|-----|----|-------------|---|
| S | CHIP ADDRESS, R/W = 0 | AS | SUBADDRESS HIGH | AS | SUBADDRESS LOW | AS | S | CHIP ADDRESS, R/W = 1 | AS | DATA BYTE 1 | AM | DATA BYTE 2 | ... | AM | DATA BYTE N | P |
|---|-----------------------|----|-----------------|----|----------------|----|---|-----------------------|----|-------------|----|-------------|-----|----|-------------|---|

Figure 24. Single-Word I²C Read Format

05798-024

| | | | | | | | | | | | | | | | |
|---|-----------------------|----|-----------------|----|----------------|----|---|-----------------------|----|---------------------|----|---------------------|----|-----|---|
| S | CHIP ADDRESS, R/W = 0 | AS | SUBADDRESS HIGH | AS | SUBADDRESS LOW | AS | S | CHIP ADDRESS, R/W = 1 | AS | DATA-WORD 1, BYTE 1 | AM | DATA-WORD 1, BYTE 2 | AM | ... | P |
|---|-----------------------|----|-----------------|----|----------------|----|---|-----------------------|----|---------------------|----|---------------------|----|-----|---|

Figure 25. Burst Mode I²C Read Format

05798-025

SPI PORT

By default, the ADAU1702 is in I²C mode, but it can be put into SPI control mode by pulling CLATCH/WP low three times. The SPI port uses a 4-wire interface, consisting of CLATCH, CCLK, CDATA, and COUT signals, and is always a slave port. The CLATCH signal should go low at the beginning of a transaction and high at the end of a transaction. The CCLK signal latches CDATA during a low-to-high transition. COUT data is shifted out of the ADAU1702 on the falling edge of CCLK and should be clocked into a receiving device, such as a microcontroller, on the CCLK rising edge. The CDATA signal carries the serial input data, and the COUT signal is the serial output data. The COUT signal remains three-stated until a read operation is requested. This allows other SPI-compatible peripherals to share the same readback line. All SPI transactions have the same basic format shown in Table 17. A timing diagram is shown in Figure 3. Write all data MSB first. The ADAU1702 cannot be taken out of SPI mode without a full reset.

Chip Address R/W

The first byte of an SPI transaction includes the 7-bit chip address and a R/W bit. The chip address is set by the ADDR0 pin. This allows two ADAU1702s to share a CLATCH signal, yet continue to operate independently. When ADDR0 is low, the chip address is 0000000; when it is high, the address is 0000001 (see Table 16). The LSB of this first byte determines whether the SPI transaction is a read (Logic Level 1) or a write (Logic Level 0).

Table 17. Generic Control Word Format

| Byte 0 | Byte 1 | Byte 2 | Byte 3 | Byte 4 ¹ |
|--------------------|--------------------|-------------|--------|---------------------|
| CHIP_ADR[6:0], R/W | 0000, SUBADR[11:8] | SUBADR[7:0] | Data | Data |

¹ Continues to end of data.

Table 16. ADAU1702 SPI Address Byte Format

| Bit 0 | Bit 1 | Bit 2 | Bit 3 | Bit 4 | Bit 5 | Bit 6 | Bit 7 |
|-------|-------|-------|-------|-------|-------|-------|-------|
| 0 | 0 | 0 | 0 | 0 | 0 | ADDR0 | R/W |

Subaddress

The 12-bit subaddress word is decoded into a location in one of the memories or registers. This subaddress is the location of the appropriate RAM location or register. The MSBs of the subaddress are zero padded to bring the word to a full two-byte length.

Data Bytes

The number of data bytes varies according to the register or memory being accessed. During a burst mode write, an initial subaddress is written followed by a continuous sequence of data for consecutive memory/register locations. The detailed data format for continuous mode operation is shown in Table 21 and Table 23 in the Read/Write Data Formats section.

A sample timing diagram for a single-write SPI operation to the parameter RAM is shown in Figure 26. A sample timing diagram of a single-read SPI operation is shown in Figure 27. The COUT pin goes from three-state to being driven at the beginning of Byte 3. In this example, Byte 0 to Byte 2 contain the addresses, and the R/W bit and subsequent bytes carry the data.

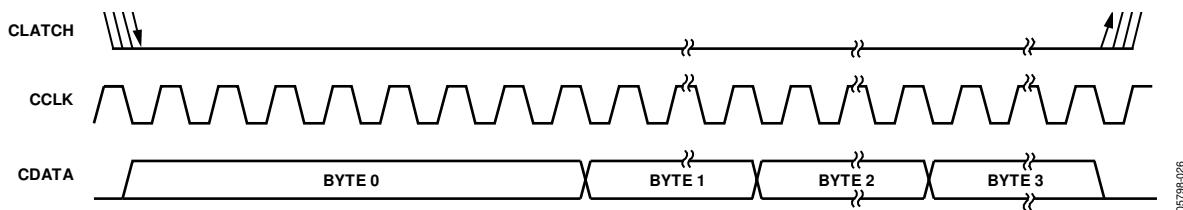


Figure 26. SPI Write to ADAU1702 Clocking (Single-Write Mode)

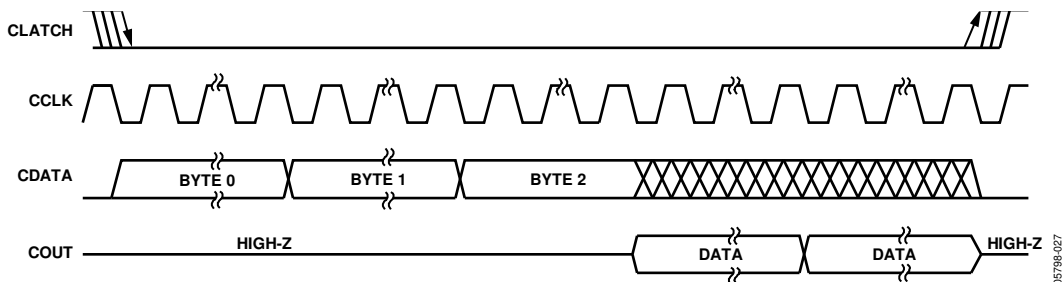


Figure 27. SPI Read from ADAU1702 Clocking (Single-Read Mode)

SELF-BOOT

On power-up, the ADAU1702 can load a program and a set of parameters that have been saved in an external EEPROM. Combined with the auxiliary ADC and the multipurpose pins, this eliminates the need for a microcontroller in the system. The self-booting is accomplished by the ADAU1702 acting as a master on the I²C bus on startup, which occurs when the SELFBOOT pin is set high. The ADAU1702 cannot self-boot in SPI mode.

The maximum necessary EEPROM size for program and parameters is 6688 bytes, or just over 6.5 kB. This does not include register settings or overhead bytes, but such factors do not add a significant number of bytes. This much memory is only needed if the program RAM (512 × five bytes), parameter RAM (1024 × four bytes), and interface registers (8 × four bytes) are completely full. Most applications do not use the full program and parameter RAMs, thus, an 8 kB EEPROM should be sufficient.

A self-boot operation is triggered on the rising edge of RESET when the SELFBOOT and WP pins are set high. The ADAU1702 reads the program, parameters, and register settings from the EEPROM. After the ADAU1702 finishes self-booting, additional messages can be sent to the ADAU1702 on the I²C bus, although this typically is not necessary in a self-booting application. In self-boot mode, the I²C device address is 0x68 for a write and 0x69 for a read. The ADDR_x pins have different functions when the chip is in this mode, so the settings on them can be ignored.

The ADAU1702 does not self-boot if WP is set low. Holding this pin low allows the EEPROM to be programmed in-circuit. The WP pin is pulled low (it typically has a resistor pull-up) to enable writes to the EEPROM, but this in turn disables the self-boot function until the WP pin is returned high.

The ADAU1702 is a master on the I²C bus during self-boot and writeback. Although it is uncommon for an application using self-boot to also have a microcontroller connected to the control lines, care should be taken that no other device tries to write to the I²C bus during self-boot or writeback. The ADAU1702 generates SCL at 8 × f_s; therefore, for a f_s of 48 kHz, SCL runs at 384 kHz. SCL has a duty cycle of 3/8 in accordance with the I²C specification.

The ADAU1702 reads from EEPROM Chip Address 0xA1. The LSBs of the addresses of some EEPROMs are pin configurable; in most cases, these pins should be tied low to set this address.

EEPROM Format

The EEPROM data contains a sequence of messages. Each discrete message is one of the seven types defined in Table 18 and consists of a sequence of one or more bytes. The first byte identifies the message type. Bytes are written MSB first. Most messages are block write (0x01) types, which are used for writing to the ADAU1702 program RAM, parameter RAM, and control registers.

The body of the message following the message type should start with a 0x00 byte; this is the chip address. As with all other control port transactions, following the chip address is a two-byte register/memory address field.

Figure 28 shows an example of what should be stored in the EEPROM, starting with EEPROM Address 0. In this example, the interface registers are first set to control port write mode (Line 1), which is followed by 18 no operation (no op) bytes (Line 2 to Line 4) so that the interface register data appears on Page 2 of the EEPROM. Next, follows the write header (Line 4) and then 32 bytes of interface register data (Line 5 to Line 8). Finally, the program RAM data, starting at Address 0x04, 0x00 is written (Line 9 to Line 11). In this example, the program length is 70 words, or 350 bytes; therefore, 332 additional bytes are included in the EEPROM but are not shown in Figure 28.

Writeback

A writeback occurs when the WB pin is triggered and data is written to the EEPROM from the ADAU1702. This function is typically used to save the volume setting and other parameter settings to the EEPROM immediately prior to power being removed from the system. A rising edge on the WB pin triggers a writeback when the device is in self-boot mode, unless a message to set the WB to the falling edge sensitive (0x05) is contained in the self-boot message sequence. Only one writeback takes place unless a message to set multiple writebacks (0x04) is contained in the self-boot message sequence. The WP pin is pulled low when a writeback is triggered to allow writing to the EEPROM.

The ADAU1702 is only capable of writing back the contents of the interface registers to the EEPROM. These registers are usually set by the DSP program, but can also be written to directly after setting Bit 6 of the core control register. The parameter settings that the user wants to save are configured in SigmaStudio.

SIGNAL PROCESSING

The ADAU1702 is designed to provide all audio signal processing functions commonly used in stereo or multichannel playback systems. The signal processing flow is designed using the SigmaStudio software, which allows graphical entry and real-time control of all signal processing functions.

Many of the signal processing functions are coded using full, 56-bit, double precision arithmetic data. The input and output word lengths of the DSP core are 24 bits. Four extra headroom bits are used in the processor to allow internal gains of up to 24 dB without clipping. Additional gains can be achieved by initially scaling down the input signal in the DSP signal flow.

NUMERIC FORMATS

DSP systems commonly use a standard numeric format. Fractional number systems are specified by an A.B format, where A is the number of bits to the left of the decimal point and B is the number of bits to the right of the decimal point.

The ADAU1702 uses the same numeric format for both the parameter and data values. The format follows in the Numerical Format: 5.23 section.

Numerical Format: 5.23

Linear range: -16.0 to $(+16.0 - 1 \text{ LSB})$

Examples:

1000 0000 0000 0000 0000 0000 0000 = -16.0
 1110 0000 0000 0000 0000 0000 0000 = -4.0
 1111 1000 0000 0000 0000 0000 0000 = -1.0
 1111 1110 0000 0000 0000 0000 0000 = -0.25
 1111 1111 0011 0011 0011 0011 0011 = -0.1
 1111 1111 1111 1111 1111 1111 1111 = (1 LSB below 0.0)
 0000 0000 0000 0000 0000 0000 0000 = 0.0
 0000 0000 1100 1100 1100 1100 1101 = 0.1
 0000 0010 0000 0000 0000 0000 0000 = 0.25
 0000 1000 0000 0000 0000 0000 0000 = 1.0
 0010 0000 0000 0000 0000 0000 0000 = 4.0
 0111 1111 1111 1111 1111 1111 1111 = $(16.0 - 1 \text{ LSB})$.

The serial port accepts up to 24 bits on the input and is sign-extended to the full 28 bits of the DSP core. This allows internal gains of up to 24 dB without internal clipping.

A digital clipper circuit is used between the output of the DSP core and the DACs or serial port outputs (see Figure 29). This

clips the top four bits of the signal to produce a 24-bit output with a range of 1.0 (minus 1 LSB) to -1.0 . Figure 29 shows the maximum signal levels at each point in the data flow in both binary and decibel levels.

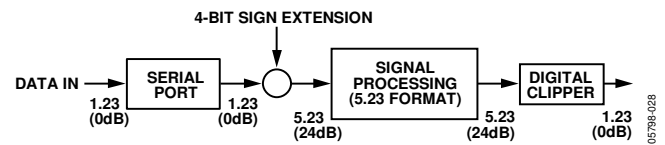


Figure 29. Numeric Precision and Clipping Structure

PROGRAMMING

On power-up, the ADAU1702 default program passes the unprocessed input signals to the outputs (shown in Figure 13), but the outputs are muted by default (see the Power-Up Sequence section). There are 512 instruction cycles per audio sample, resulting in about 25 MIPS available. The SigmaDSP runs in a stream-oriented manner, meaning that all 512 instructions are executed each sample period. The ADAU1702 can also be set up to accept double- or quad-speed inputs by reducing the number of instructions per sample that are set in the core control register.

The part can be easily programmed using SigmaStudio (Figure 30), a graphical tool provided by Analog Devices. No knowledge of writing line-level DSP code is required. More information about SigmaStudio can be found at www.analog.com.

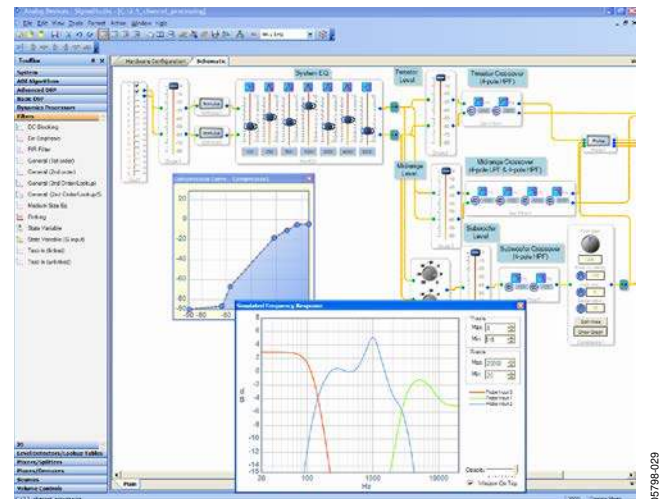


Figure 30. SigmaStudio Screen Shot

RAMS AND REGISTERS

Table 19. RAM Map and Read/Write Modes

| Memory | Size | Address Range | Read | Write | Write Modes |
|---------------|----------------|--|------|-------|--|
| Parameter RAM | 1024 × 32 | 0 to 1023 (0x0000 to 0x03FF) | Yes | Yes | Direct write ¹ safeload write |
| Program RAM | 512 × 40 | 1024 to 1535 (0x0400 to 0x05FF) | Yes | Yes | Direct write ¹ |
| Reserved | Not applicable | 1536 to 2047 (0x0600 to 0x07FF) ² | No | No | Not applicable |

¹ Internal registers should be cleared first to avoid clicks/pops.

² Addresses 1536 to 2047 (0x0600 to 0x07FF) are reserved RAM locations and data cannot be written to them.

ADDRESS MAPS

Table 19 shows the RAM map whereas Table 30 shows the ADAU1702 register map. The address space encompasses a set of registers and two RAMs: one holds signal processing parameters and the other holds the program instructions. The program RAM and parameter RAM are initialized on power-up from on-board boot ROMs (see the Power-Up Sequence section).

All RAMs and registers have a default value of all 0s, except for the program RAM, which is loaded with the default program (see the Initialization section).

PARAMETER RAM

The parameter RAM is 32 bits wide and occupies Address 0 to Address 1023. Each parameter is padded with four 0s before the MSB to extend the 28-bit word to a full 4-byte width. The parameter RAM is initialized to all 0s on power-up. The data format of the parameter RAM is twos complement, 5.23. This means that the coefficients can range from +16.0 (minus 1 LSB) to -16.0, with 1.0 represented by the binary word, 0000 1000 0000 0000 0000 0000 0000, or by the hexadecimal word, 0x00 0x80 0x00 0x00.

The parameter RAM can be written using one of the two following methods: a direct read/write or a safeload write.

Direct Read/Write

The direct read/write method allows direct access to the program RAM and parameter RAM. This mode of operation is typically used when loading a new RAM using burst mode addressing. The clear registers bit in the core control register should be set to 0 using this mode to prevent any clicks or pops in the outputs. Note that this mode can be used during live program execution, but because there is no handshaking between the core and the control port, the parameter RAM is unavailable to the DSP core during control writes, resulting in clicks and pops in the audio stream.

Safeload Write

Up to five safeload registers can be loaded with the parameter RAM address and data. The data is then transferred to the requested address when the RAM is not busy. This method can be used for dynamic updates while live program material is playing through the ADAU1702. For example, a complete update of one biquad section can occur in one audio frame while the RAM is not busy. This method is not available for writing to the program RAM or control registers.

DATA RAM

The ADAU1702 data RAM is used to store audio data-words for processing. For the most part, this process is transparent to the user. The user cannot address this RAM space, which has a size of 0.5k words, directly from the control port.

Data RAM utilization should be considered when implementing blocks that require large amounts of data RAM space, such as delays. The SigmaDSP core processes delay times in one sample increments; therefore, the total pool of delay available to the user equals 512 multiplied by the sample period. For a f_s of 48 kHz, the pool of available delay is a maximum of about 10 ms. In practice, this much data memory is not available to the user because every block in a design uses a few data memory locations for its processing. In most DSP programs, this does not significantly impact the total delay time. The SigmaStudio compiler manages the data RAM and indicates if the number of addresses needed in the design exceeds the maximum available.

READ/WRITE DATA FORMATS

The read/write formats of the control port are designed to be byte oriented. This allows easy programming of common microcontroller chips. To fit into a byte oriented format, 0s are appended to the data fields before the MSB to extend the data-word to eight bits. For example, 28-bit words written to the parameter RAM are appended with four leading 0s to equal 32 bits (four bytes); 40-bit words written to the program RAM are not appended with 0s because they are already a full five bytes. These zero padded data fields are appended to a 3-byte field consisting of a 7-bit chip address, a read/write bit, and an 11-bit RAM/register address. The control port knows how many data bytes to expect based on the address given in the first three bytes.

The total number of bytes for a single location write command can vary from four bytes (for a control register write) to eight bytes (for a program RAM write). Burst mode can be used to fill contiguous register or RAM locations. A burst mode write begins by writing the address and data of the first RAM or register location to be written. Rather than ending the control port transaction (by issuing a stop command in I²C mode or by bringing the CLATCH signal high in SPI mode after the data-word), as is done in a single address write, the next data-word can be immediately written without specifying its address. The ADAU1702 control port auto-increments the address of each write even across the boundaries of the different RAMs and registers. Table 21 and Table 23 show examples of burst mode writes.

Table 20. Parameter RAM Read/Write Format (Single Address)

| Byte 0 | Byte 1 | Byte 2 | Byte 3 | Bytes[4:6] |
|---------------------------------|------------------------|----------------|--------------------|-------------|
| CHIP_ADR[6:0], \overline{W}/R | 000000, PARAM_ADR[9:8] | PARAM_ADR[7:0] | 0000, PARAM[27:24] | PARAM[23:0] |

Table 21. Parameter RAM Block Read/Write Format (Burst Mode)

| Byte 0 | Byte 1 | Byte 2 | Byte 3 | Bytes[4:6] | Bytes[7:10] | Bytes[11:14] |
|---------------------------------|------------------------|----------------|--------------------|---------------|---------------|--------------|
| CHIP_ADR[6:0], \overline{W}/R | 000000, PARAM_ADR[9:8] | PARAM_ADR[7:0] | 0000, PARAM[27:24] | PARAM[23:0] | | |
| <—PARAM_ADR—> | | | | PARAM_ADR + 1 | PARAM_ADR + 2 | |

Table 22. Program RAM Read/Write Format (Single Address)

| Byte 0 | Byte 1 | Byte 2 | Bytes[3:7] |
|---------------------------------|------------------------|---------------|------------|
| CHIP_ADR[6:0], \overline{W}/R | 000000, PROG_ADR[10:8] | PROG_ADR[7:0] | PROG[39:0] |

Table 23. Program RAM Block Read/Write Format (Burst Mode)

| Byte 0 | Byte 1 | Byte 2 | Bytes[3:7] | Bytes[8:12] | Bytes[13:17] |
|---------------------------------|------------------------|---------------|------------|--------------|--------------|
| CHIP_ADR[6:0], \overline{W}/R | 000000, PROG_ADR[10:8] | PROG_ADR[7:0] | PROG[39:0] | | |
| <—PROG_ADR—> | | | | PROG_ADR + 1 | PROG_ADR + 2 |

Table 24. Control Register Read/Write Format (Core, Serial Out 0, Serial Out 1)

| Byte 0 | Byte 1 | Byte 2 | Byte 3 | Byte 4 |
|---------------------------------|---------------------|--------------|------------|-----------|
| CHIP_ADR[6:0], \overline{W}/R | 0000, REG_ADR[11:8] | REG_ADR[7:0] | Data[15:8] | Data[7:0] |

Table 25. Control Register Read/Write Format (RAM Configuration, Serial Input)

| Byte 0 | Byte 1 | Byte 2 | Byte 3 |
|---------------------------------|---------------------|--------------|-----------|
| CHIP_ADR[6:0], \overline{W}/R | 0000, REG_ADR[11:8] | REG_ADR[7:0] | Data[7:0] |

Table 26. Data Capture Register Write Format

| Byte 0 | Byte 1 | Byte 2 | Byte 3 | Byte 4 |
|---------------------------------|---------------------------------|-----------------------|---------------------------------------|--|
| CHIP_ADR[6:0], \overline{W}/R | 0000, DATA_CAPTURE_ADR[11:8] | DATA_CAPTURE_ADR[7:0] | 000, PROG_COUNT[10:6] ¹ | PROG_COUNT[5:0] ¹ , REGSEL[1:0] ² |

¹ PROG_COUNT[10:0] is the value of the program counter when the data capture occurs (the table of values is generated by the SigmaStudio compiler).² REGSEL[1:0] selects one of four registers (see the 2074 to 2075 (0x081A to 0x081B)—Data Capture Registers section).

Table 27. Data Capture (Control Port Readback) Register Read Format

| Byte 0 | Byte 1 | Byte 2 | Bytes[3:5] |
|---------------------------------|------------------------------|-----------------------|------------|
| CHIP_ADR[6:0], \overline{W}/R | 0000, DATA_CAPTURE_ADR[11:8] | DATA_CAPTURE_ADR[7:0] | Data[23:0] |

Table 28. Safeload Address Register Write Format

| Byte 0 | Byte 1 | Byte 2 | Byte 3 | Byte 4 |
|---------------------------------|--------------------------|-------------------|------------------------|----------------|
| CHIP_ADR[6:0], \overline{W}/R | 0000, SAFELOAD_ADR[11:8] | SAFELOAD_ADR[7:0] | 000000, PARAM_ADR[9:8] | PARAM_ADR[7:0] |

Table 29. Safeload Data Register Write Format

| Byte 0 | Byte 1 | Byte 2 | Byte 3 | Byte 4 | Bytes[5:7] |
|---------------------------------|--------------------------|-------------------|----------|-------------------|------------|
| CHIP_ADR[6:0], \overline{W}/R | 0000, SAFELOAD_ADR[11:8] | SAFELOAD_ADR[7:0] | 00000000 | 0000, Data[27:24] | Data[23:0] |

CONTROL REGISTER MAP

Table 30. Register Map¹

| Register Address | No. of Bytes | Name | MSB | | | | | | | | | | | | | | | | LSB | | | Default | | | | | | | | | | | | | | | | | |
|------------------|--------------|-------|---|------|------|------|------|------|------|------|------|------|------|------|------|------|------|------|------|------|------|---------|------|------|------|------|------|------|------|------|------|------|------|------|------|--------|--------|--------|--------|
| | | | D31 | D30 | D29 | D28 | D27 | D26 | D25 | D24 | D39 | D38 | D37 | D36 | D35 | D34 | D33 | D32 | D16 | D15 | D14 | | | | | | | | | | | | | | | | | | |
| Hex | Dec | Bytes | | D15 | D14 | D13 | D12 | D11 | D10 | D9 | D8 | D7 | D6 | D5 | D4 | D3 | D2 | D1 | D0 | | | | | | | | | | | | | | | | | | | | |
| 0x0800 | 2048 | 4 | Interface 0[31:16] Interface 0[15:0] | 0 | 0 | 0 | 0 | IF27 | IF26 | IF25 | IF24 | IF23 | IF22 | IF21 | IF20 | IF19 | IF18 | IF17 | IF16 | IF15 | IF14 | IF13 | IF12 | IF11 | IF10 | IF09 | IF08 | IF07 | IF06 | IF05 | IF04 | IF03 | IF02 | IF01 | IF00 | 0x0000 | 0x0000 | | |
| 0x0801 | 2049 | 4 | Interface 0[31:16] Interface 0[15:0] | 0 | 0 | 0 | 0 | IF27 | IF26 | IF25 | IF24 | IF23 | IF22 | IF21 | IF20 | IF19 | IF18 | IF17 | IF16 | IF15 | IF14 | IF13 | IF12 | IF11 | IF10 | IF09 | IF08 | IF07 | IF06 | IF05 | IF04 | IF03 | IF02 | IF01 | IF00 | 0x0000 | 0x0000 | | |
| 0x0802 | 2050 | 4 | Interface 0[31:16] Interface 0[15:0] | 0 | 0 | 0 | 0 | IF27 | IF26 | IF25 | IF24 | IF23 | IF22 | IF21 | IF20 | IF19 | IF18 | IF17 | IF16 | IF15 | IF14 | IF13 | IF12 | IF11 | IF10 | IF09 | IF08 | IF07 | IF06 | IF05 | IF04 | IF03 | IF02 | IF01 | IF00 | 0x0000 | 0x0000 | | |
| 0x0803 | 2051 | 4 | Interface 0[31:16] Interface 0[15:0] | 0 | 0 | 0 | 0 | IF27 | IF26 | IF25 | IF24 | IF23 | IF22 | IF21 | IF20 | IF19 | IF18 | IF17 | IF16 | IF15 | IF14 | IF13 | IF12 | IF11 | IF10 | IF09 | IF08 | IF07 | IF06 | IF05 | IF04 | IF03 | IF02 | IF01 | IF00 | 0x0000 | 0x0000 | | |
| 0x0804 | 2052 | 4 | Interface 0[31:16] Interface 0[15:0] | 0 | 0 | 0 | 0 | IF27 | IF26 | IF25 | IF24 | IF23 | IF22 | IF21 | IF20 | IF19 | IF18 | IF17 | IF16 | IF15 | IF14 | IF13 | IF12 | IF11 | IF10 | IF09 | IF08 | IF07 | IF06 | IF05 | IF04 | IF03 | IF02 | IF01 | IF00 | 0x0000 | 0x0000 | | |
| 0x0805 | 2053 | 4 | Interface 0[31:16] Interface 0[15:0] | 0 | 0 | 0 | 0 | IF27 | IF26 | IF25 | IF24 | IF23 | IF22 | IF21 | IF20 | IF19 | IF18 | IF17 | IF16 | IF15 | IF14 | IF13 | IF12 | IF11 | IF10 | IF09 | IF08 | IF07 | IF06 | IF05 | IF04 | IF03 | IF02 | IF01 | IF00 | 0x0000 | 0x0000 | | |
| 0x0806 | 2054 | 4 | Interface 0[31:16] Interface 0[15:0] | 0 | 0 | 0 | 0 | IF27 | IF26 | IF25 | IF24 | IF23 | IF22 | IF21 | IF20 | IF19 | IF18 | IF17 | IF16 | IF15 | IF14 | IF13 | IF12 | IF11 | IF10 | IF09 | IF08 | IF07 | IF06 | IF05 | IF04 | IF03 | IF02 | IF01 | IF00 | 0x0000 | 0x0000 | | |
| 0x0807 | 2055 | 4 | Interface 0[31:16] Interface 0[15:0] | 0 | 0 | 0 | 0 | IF27 | IF26 | IF25 | IF24 | IF23 | IF22 | IF21 | IF20 | IF19 | IF18 | IF17 | IF16 | IF15 | IF14 | IF13 | IF12 | IF11 | IF10 | IF09 | IF08 | IF07 | IF06 | IF05 | IF04 | IF03 | IF02 | IF01 | IF00 | 0x0000 | 0x0000 | | |
| 0x0808 | 2056 | 2 | GPIO pin setting | 0 | 0 | 0 | 0 | MP11 | MP10 | MP09 | MP08 | MP07 | MP06 | MP05 | MP04 | MP03 | MP02 | MP01 | MP00 | | | | | | | | | | | | | | | | | | 0x0000 | | |
| 0x0809 | 2057 | 2 | Auxiliary ADC Data 0 | 0 | 0 | 0 | 0 | AA11 | AA10 | AA09 | AA08 | AA07 | AA06 | AA05 | AA04 | AA03 | AA02 | AA01 | AA00 | | | | | | | | | | | | | | | | | | 0x0000 | | |
| 0x080A | 2058 | 2 | Auxiliary ADC Data 1 | 0 | 0 | 0 | 0 | AA11 | AA10 | AA09 | AA08 | AA07 | AA06 | AA05 | AA04 | AA03 | AA02 | AA01 | AA00 | | | | | | | | | | | | | | | | | | 0x0000 | | |
| 0x080B | 2059 | 2 | Auxiliary ADC Data 2 | 0 | 0 | 0 | 0 | AA11 | AA10 | AA09 | AA08 | AA07 | AA06 | AA05 | AA04 | AA03 | AA02 | AA01 | AA00 | | | | | | | | | | | | | | | | | | 0x0000 | | |
| 0x080C | 2060 | 2 | Auxiliary ADC Data 3 | 0 | 0 | 0 | 0 | AA11 | AA10 | AA09 | AA08 | AA07 | AA06 | AA05 | AA04 | AA03 | AA02 | AA01 | AA00 | | | | | | | | | | | | | | | | | | 0x0000 | | |
| 0x080D | 2061 | 5 | Reserved[39:32] Reserved[31:16] Reserved[15:0] | | RSVD | RSVD | RSVD | RSVD | RSVD | RSVD | RSVD | RSVD | RSVD | RSVD | RSVD | RSVD | RSVD | RSVD | RSVD | RSVD | RSVD | RSVD | RSVD | RSVD | RSVD | RSVD | RSVD | RSVD | RSVD | RSVD | RSVD | RSVD | RSVD | RSVD | RSVD | RSVD | 0x00 | 0x0000 | 0x0000 |
| 0x080E | 2062 | 5 | Reserved[39:32] Reserved[31:16] Reserved[15:0] | | RSVD | RSVD | RSVD | RSVD | RSVD | RSVD | RSVD | RSVD | RSVD | RSVD | RSVD | RSVD | RSVD | RSVD | RSVD | RSVD | RSVD | RSVD | RSVD | RSVD | RSVD | RSVD | RSVD | RSVD | RSVD | RSVD | RSVD | RSVD | RSVD | RSVD | RSVD | RSVD | 0x00 | 0x0000 | 0x0000 |
| 0x080F | 2063 | 5 | Reserved[39:32] Reserved[31:16] Reserved[15:0] | | RSVD | RSVD | RSVD | RSVD | RSVD | RSVD | RSVD | RSVD | RSVD | RSVD | RSVD | RSVD | RSVD | RSVD | RSVD | RSVD | RSVD | RSVD | RSVD | RSVD | RSVD | RSVD | RSVD | RSVD | RSVD | RSVD | RSVD | RSVD | RSVD | RSVD | RSVD | RSVD | 0x00 | 0x0000 | 0x0000 |
| 0x0810 | 2064 | 5 | Safeload Data 0[39:32] Safeload Data 0[31:16] Safeload Data 0[15:0] | | SD31 | SD30 | SD29 | SD28 | SD27 | SD26 | SD25 | SD24 | SD23 | SD22 | SD21 | SD20 | SD19 | SD18 | SD17 | SD16 | SD15 | SD14 | SD13 | SD12 | SD11 | SD10 | SD09 | SD08 | SD07 | SD06 | SD05 | SD04 | SD03 | SD02 | SD01 | SD00 | 0x00 | 0x0000 | 0x0000 |
| 0x0811 | 2065 | 5 | Safeload Data 1[39:32] Safeload Data 1[31:16] Safeload Data 1[15:0] | | SD31 | SD30 | SD29 | SD28 | SD27 | SD26 | SD25 | SD24 | SD23 | SD22 | SD21 | SD20 | SD19 | SD18 | SD17 | SD16 | SD15 | SD14 | SD13 | SD12 | SD11 | SD10 | SD09 | SD08 | SD07 | SD06 | SD05 | SD04 | SD03 | SD02 | SD01 | SD00 | 0x00 | 0x0000 | 0x0000 |
| 0x0812 | 2066 | 5 | Safeload Data 2[39:32] Safeload Data 2[31:16] Safeload Data 2[15:0] | | SD31 | SD30 | SD29 | SD28 | SD27 | SD26 | SD25 | SD24 | SD23 | SD22 | SD21 | SD20 | SD19 | SD18 | SD17 | SD16 | SD15 | SD14 | SD13 | SD12 | SD11 | SD10 | SD09 | SD08 | SD07 | SD06 | SD05 | SD04 | SD03 | SD02 | SD01 | SD00 | 0x00 | 0x0000 | 0x0000 |
| 0x0813 | 2067 | 5 | Safeload Data 3[39:32] Safeload Data 3[31:16] Safeload Data 3[15:0] | | SD31 | SD30 | SD29 | SD28 | SD27 | SD26 | SD25 | SD24 | SD23 | SD22 | SD21 | SD20 | SD19 | SD18 | SD17 | SD16 | SD15 | SD14 | SD13 | SD12 | SD11 | SD10 | SD09 | SD08 | SD07 | SD06 | SD05 | SD04 | SD03 | SD02 | SD01 | SD00 | 0x00 | 0x0000 | 0x0000 |
| 0x0814 | 2068 | 5 | Safeload Data 4[39:32] Safeload Data 4[31:16] Safeload Data 4[15:0] | | SD31 | SD30 | SD29 | SD28 | SD27 | SD26 | SD25 | SD24 | SD23 | SD22 | SD21 | SD20 | SD19 | SD18 | SD17 | SD16 | SD15 | SD14 | SD13 | SD12 | SD11 | SD10 | SD09 | SD08 | SD07 | SD06 | SD05 | SD04 | SD03 | SD02 | SD01 | SD00 | 0x00 | 0x0000 | 0x0000 |
| 0x0815 | 2069 | 2 | Safeload Address 0 | 0 | 0 | 0 | 0 | SA11 | SA10 | SA09 | SA08 | SA07 | SA06 | SA05 | SA04 | SA03 | SA02 | SA01 | SA00 | | | | | | | | | | | | | | | | | | 0x0000 | | |
| 0x0816 | 2070 | 2 | Safeload Address 1 | 0 | 0 | 0 | 0 | SA11 | SA10 | SA09 | SA08 | SA07 | SA06 | SA05 | SA04 | SA03 | SA02 | SA01 | SA00 | | | | | | | | | | | | | | | | | | | 0x0000 | |
| 0x0817 | 2071 | 2 | Safeload Address 2 | 0 | 0 | 0 | 0 | SA11 | SA10 | SA09 | SA08 | SA07 | SA06 | SA05 | SA04 | SA03 | SA02 | SA01 | SA00 | | | | | | | | | | | | | | | | | | | 0x0000 | |
| 0x0818 | 2072 | 2 | Safeload Address 3 | 0 | 0 | 0 | 0 | SA11 | SA10 | SA09 | SA08 | SA07 | SA06 | SA05 | SA04 | SA03 | SA02 | SA01 | SA00 | | | | | | | | | | | | | | | | | | | 0x0000 | |
| 0x0819 | 2073 | 2 | Safeload Address 4 | 0 | 0 | 0 | 0 | SA11 | SA10 | SA09 | SA08 | SA07 | SA06 | SA05 | SA04 | SA03 | SA02 | SA01 | SA00 | | | | | | | | | | | | | | | | | | | 0x0000 | |
| 0x081A | 2074 | 2 | Data Capture 0 | 0 | 0 | 0 | 0 | PC09 | PC08 | PC07 | PC06 | PC05 | PC04 | PC03 | PC02 | PC01 | PC00 | RS01 | RS00 | | | | | | | | | | | | | | | | | | | 0x0000 | |
| 0x081B | 2075 | 2 | Data Capture 1 | 0 | 0 | 0 | 0 | PC09 | PC08 | PC07 | PC06 | PC05 | PC04 | PC03 | PC02 | PC01 | PC00 | RS01 | RS00 | | | | | | | | | | | | | | | | | | | 0x0000 | |
| 0x081C | 2076 | 2 | DSP core control | RSVD | RSVD | GD1 | GD0 | RSVD | RSVD | RSVD | AACW | GPCW | IFCW | IST | ADM | DAM | CR | SR1 | SR0 | | | | | | | | | | | | | | | | | | 0x0000 | | |
| 0x081D | 2077 | 1 | Reserved | | | | | | | | | RSVD | RSVD | RSVD | RSVD | RSVD | RSVD | RSVD | RSVD | | | | | | | | | | | | | | | | | 0x00 | | | |
| 0x081E | 2078 | 2 | Serial output control | 0 | 0 | OLRP | OBP | M/S | OBF1 | OBF0 | OLF1 | OLF0 | FST | TDM | MSB2 | MSB1 | MSB0 | OWL1 | OWL0 | | | | | | | | | | | | | | | | | 0x0000 | | | |
| 0x081F | 2079 | 1 | Serial input control | | | | | | | | | 0 | 0 | 0 | ILP | IBP | M2 | M1 | M0 | | | | | | | | | | | | | | | | | 0x00 | | | |

| Register Address | | No. of Bytes | Name | MSB | | | | | | | | | | | | | | LSB | | Default | | |
|------------------|------|--------------|---------------------------------|---------|---------|---------|---------|---------|---------|--------|--------|---------|---------|---------|---------|---------|---------|---------|---------|---------|---------|---------|
| Hex | Dec | | | D31 D15 | D30 D14 | D29 D13 | D28 D12 | D27 D11 | D26 D10 | D25 D9 | D24 D8 | D39 D23 | D38 D22 | D37 D21 | D36 D20 | D35 D19 | D34 D18 | D33 D17 | D32 D16 | | D31 D15 | D30 D14 |
| 0x0820 | 2080 | 3 | MP Pin Config. 0[23:16] | | | | | | | | | | | MP53 | MP52 | MP51 | MP50 | MP43 | MP42 | MP41 | MP40 | 0x00 |
| | | | MP Pin Config. 0[15:0] | MP33 | MP32 | MP31 | MP30 | MP23 | MP22 | MP21 | MP20 | MP13 | MP12 | MP11 | MP10 | MP03 | MP02 | MP01 | MP00 | 0x0000 | | |
| 0x0821 | 2081 | 3 | MP Pin Config. 1[23:16] | | | | | | | | | | | MP113 | MP112 | MP111 | MP110 | MP103 | MP102 | MP101 | MP100 | 0x00 |
| | | | MP Pin Config. 1[15:0] | MP93 | MP92 | MP91 | MP90 | MP83 | MP82 | MP81 | MP80 | MP73 | MP72 | MP71 | MP70 | MP63 | MP62 | MP61 | MP60 | 0x0000 | | |
| 0x0822 | 2082 | 2 | Auxiliary ADC and power control | RSVD | RSVD | RSVD | RSVD | RSVD | RSVD | FIL1 | FIL0 | AAPD | VBPD | VRPD | RSVD | D0PD | D1PD | D2PD | D3PD | 0x0000 | | |
| 0x0823 | 2083 | 2 | Reserved | RSVD | RSVD | RSVD | RSVD | RSVD | RSVD | RSVD | RSVD | RSVD | RSVD | RSVD | RSVD | RSVD | RSVD | RSVD | RSVD | 0x0000 | | |
| 0x0824 | 2084 | 2 | Auxiliary ADC enable | AAEN | RSVD | RSVD | RSVD | RSVD | RSVD | RSVD | RSVD | RSVD | RSVD | RSVD | RSVD | RSVD | RSVD | RSVD | RSVD | 0x0000 | | |
| 0x0825 | 2085 | 2 | Reserved | RSVD | RSVD | RSVD | RSVD | RSVD | RSVD | RSVD | RSVD | RSVD | RSVD | RSVD | RSVD | RSVD | RSVD | RSVD | RSVD | 0x0000 | | |
| 0x0826 | 2086 | 2 | Oscillator power-down | RSVD | RSVD | RSVD | RSVD | RSVD | RSVD | RSVD | RSVD | RSVD | RSVD | RSVD | RSVD | OPD | RSVD | RSVD | RSVD | 0x0000 | | |
| 0x0827 | 2087 | 2 | DAC setup | RSVD | RSVD | RSVD | RSVD | RSVD | RSVD | RSVD | RSVD | RSVD | RSVD | RSVD | RSVD | RSVD | RSVD | DS1 | DS0 | 0x0000 | | |

¹ Shading indicates that registers do not fill these locations; therefore, control bits do not exist in these locations.

CONTROL REGISTER DETAILS

ADDRESS 2048 TO ADDRESS 2055 (0x0800 TO 0x0807)—INTERFACE REGISTERS

The interface registers are used in self-boot mode to save parameters that need to be written to the external EEPROM. The ADAU1702 then recalls these parameters from the EEPROM after the next reset or power-up. Therefore, system parameters such as volume and EQ settings can be saved during power-down and recalled the next time the system is turned on.

There are eight 32-bit interface registers, which allow eight 28-bit (plus zero padding) parameters to be saved. The parameters to

be saved in these registers are selected in the graphical programming tools. These registers are updated with their corresponding parameter RAM data once per sample period.

An edge, which can be set to be either rising or falling, triggers the ADAU1702 to write the current contents of the interface registers to the EEPROM. See the Self-Boot section for details.

The user can write directly to the interface registers after the interface registers control port write mode (IFCW) in the DSP core control register has been set. In this mode, the data in the registers is written from the control port, not from the DSP core.

Table 31. Interface Register Bit Map

| D31 D15 | D30 D14 | D29 D13 | D28 D12 | D27 D11 | D26 D10 | D25 D9 | D24 D8 | D23 D7 | D22 D6 | D21 D5 | D20 D4 | D19 D3 | D18 D2 | D17 D1 | D16 D0 | Default |
|------------|------------|------------|------------|--------------|--------------|--------------|--------------|--------------|--------------|--------------|--------------|--------------|--------------|--------------|--------------|------------------|
| 0 IF15 | 0 IF14 | 0 IF13 | 0 IF12 | IF27 IF11 | IF26 IF10 | IF25 IF09 | IF24 IF08 | IF23 IF07 | IF22 IF06 | IF21 IF05 | IF20 IF04 | IF19 IF03 | IF18 IF02 | IF17 IF01 | IF16 IF00 | 0x0000 0x0000 |

Table 32.

| Bit Name | Description |
|----------|-------------------------------------|
| IF[27:0] | Interface register 28-bit parameter |

ADDRESS 2056 (0x0808)—GPIO PIN SETTING REGISTER

This register allows the user to set the GPIO pins through the control port. High or low settings can be directly written to or read from this register after setting the GPIO pin to set the register control port write (GPCW) mode in the core control register. This register is updated once every LRCLK frame ($1/f_s$).

Table 33. GPIO Pin Setting Register Bit Map

| D15 | D14 | D13 | D12 | D11 | D10 | D9 | D8 | D7 | D6 | D5 | D4 | D3 | D2 | D1 | D0 | Default |
|-----|-----|-----|-----|------|------|------|------|------|------|------|------|------|------|------|------|---------|
| 0 | 0 | 0 | 0 | MP11 | MP10 | MP09 | MP08 | MP07 | MP06 | MP05 | MP04 | MP03 | MP02 | MP01 | MP00 | 0x0000 |

Table 34.

| Bit Name | Description |
|----------|---|
| MP[11:0] | Setting of multipurpose pin when controlled through SPI or I ² C |

ADDRESS 2057 TO ADDRESS 2060 (0x0809 TO 0x080C)—AUXILIARY ADC DATA REGISTERS

These registers hold the data generated by the 4-channel auxiliary ADC. The ADCs have eight bits of precision and can be extended to 12 bits if filtering is selected via Bits FIL[1:0] of the auxiliary ADC and power control register. The SigmaDSP program reads this data as a 1.11 format data-word with a range

of 0 to 1.0. This data-word is mapped to the 5.23 format parameter word with the four MSBs and 12 LSBs set to 0. A full-scale code of 255 results in a value of 1.0 in 5.23 format. These registers can be written to directly if the auxiliary ADC data registers control port write (AACW) mode bit is set in the DSP core control register.

Table 35. Auxiliary ADC Data Register Bit Map

| D15 | D14 | D13 | D12 | D11 | D10 | D9 | D8 | D7 | D6 | D5 | D4 | D3 | D2 | D1 | D0 | Default |
|-----|-----|-----|-----|------|------|------|------|------|------|------|------|------|------|------|------|---------|
| 0 | 0 | 0 | 0 | AA11 | AA10 | AA09 | AA08 | AA07 | AA06 | AA05 | AA04 | AA03 | AA02 | AA01 | AA00 | 0x0000 |

Table 36.

| Bit Name | Description |
|----------|--------------------------------------|
| AA[11:0] | Auxiliary ADC output data, MSB first |

ADDRESS 2064 TO ADDRESS 2068 (0x0810 TO 0x0814)—SAFELOAD DATA REGISTERS

Many applications require real-time microcontroller control of signal processing parameters, such as filter coefficients, mixer gains, multichannel virtualizing parameters, or dynamics processing curves. When controlling a biquad filter, for example, all of the parameters must be updated at the same time. Doing so prevents the filter from executing with a mix of old and new coefficients for one or two audio frames, thus avoiding temporary instability and transients that may take a long time to decay. To accomplish this, the ADAU1702 uses safeload data registers to simultaneously load a set of five 28-bit values to the desired parameter RAM address. Five registers are used because a biquad filter uses five coefficients and, as previously mentioned, it is desirable to do a complete update in one transaction.

The first step in performing a safeload operation is writing the parameter address to one of the safeload address registers (Address 2069 to Address 2073). The 10-bit data-word to be written is the address in parameter RAM to which the safeload is being performed. After this address is written, the 28-bit data-word can be written to the corresponding safeload data register (Address 2064 to Address 2068).

The data formats for these writes are detailed in Table 28 and Table 29. Table 37 shows how each of the five address registers maps to its corresponding data register.

After the address and data registers are loaded, set the initiate safeload transfer bit in the core control register to initiate the loading into RAM. Each of the five safeload registers takes one of the 512 core instructions to load into the parameter RAM. The total program lengths should, therefore, be limited to 507 cycles (512 minus 5) to ensure that the SigmaDSP core always has at least five cycles available. The safeload is guaranteed to occur within one LRCLK period (21 μ s for a f_s of 48 kHz) of the initiate safeload transfer bit being set.

The safeload logic automatically sends data to be loaded into RAM from only those safeload registers that have been written to since the last safeload operation. For example, if two parameters are to be updated in the RAM, only two of the five safeload registers must be written. When the initiate safeload transfer bit is asserted, only data from those two registers are sent to the RAM; the other three registers are not sent to the RAM and may hold old or invalid data.

Table 37. Safeload Address and Data Register Mapping

| Safeload Register | Safeload Address Register | Safeload Data Register |
|-------------------|---------------------------|------------------------|
| 0 | 2069 | 2064 |
| 1 | 2070 | 2065 |
| 2 | 2071 | 2066 |
| 3 | 2072 | 2067 |
| 4 | 2073 | 2068 |

Table 38. Safeload Registers Bit Map

| D31 D15 | D30 D14 | D29 D13 | D28 D12 | D27 D11 | D26 D10 | D25 D9 | D24 D8 | D39 D23 D7 | D38 D22 D6 | D37 D21 D5 | D36 D20 D4 | D35 D19 D3 | D34 D18 D2 | D33 D17 D1 | D32 D16 D0 | Default |
|------------|------------|------------|------------|------------|------------|-----------|-----------|------------------|------------------|------------------|------------------|------------------|------------------|------------------|------------------|---------|
| SD31 | SD30 | SD29 | SD28 | SD27 | SD26 | SD25 | SD24 | SD39 | SD38 | SD37 | SD36 | SD35 | SD34 | SD33 | SD32 | 0x00 |
| SD15 | SD14 | SD13 | SD12 | SD11 | SD10 | SD09 | SD08 | SD23 | SD22 | SD21 | SD20 | SD19 | SD18 | SD17 | SD16 | 0x0000 |
| | | | | | | | | SD07 | SD06 | SD05 | SD04 | SD03 | SD02 | SD01 | SD00 | 0x0000 |

Table 39.

| Bit Name | Description |
|----------|---|
| SD[39:0] | Safeload data. Data (program, parameters, and register contents) to be loaded into the RAMs or registers. |

ADDRESS 2069 TO ADDRESS 2073 (0x0815 TO 0x0819)—SAFELOAD ADDRESS REGISTERS

Table 40. Safeload Address Registers Bit Map

| D15 | D14 | D13 | D12 | D11 | D10 | D9 | D8 | D7 | D6 | D5 | D4 | D3 | D2 | D1 | D0 | Default |
|-----|-----|-----|-----|------|------|------|------|------|------|------|------|------|------|------|------|---------|
| 0 | 0 | 0 | 0 | SA11 | SA10 | SA09 | SA08 | SA07 | SA06 | SA05 | SA04 | SA03 | SA02 | SA01 | SA00 | 0x0000 |

Table 41.

| Bit Name | Description |
|----------|--|
| SA[11:0] | Safeload address. Address of data that is to be loaded into the RAMs or registers. |

ADDRESS 2074 TO ADDRESS 2075 (0x081A TO 0x081B)—DATA CAPTURE REGISTERS

The ADAU1702 data capture feature allows the data at any node in the signal processing flow to be sent to one of two readable registers. This feature is useful for monitoring and displaying information about internal signal levels or compressor/limiter activity.

For each of the data capture registers, a capture count and a register select must be set. The capture count is a number between 0 and 1023 that corresponds to the program step number where the capture is to occur. The register select field programs one of four registers in the DSP core that transfers this information to the data capture register when the program counter reaches this step.

The captured data is in 5.19, twos complement data format, which comes from the internal 5.23 data-word with the four LSBs truncated.

The data that must be written to set up the data capture is a concatenation of the 10-bit program count index with the 2-bit register select field. The capture count and register select values that correspond to the desired point to be monitored in the signal processing flow can be found in a file output from the program compiler. The capture registers can be accessed by reading from Location 2074 and Location 2075. The format for writing and reading to the data capture registers is shown in Table 26 and Table 27.

Table 42. Safeload Data Registers Bit Map

| D15 | D14 | D13 | D12 | D11 | D10 | D9 | D8 | D7 | D6 | D5 | D4 | D3 | D2 | D1 | D0 | Default |
|-----|-----|-----|-----|------|------|------|------|------|------|------|------|------|------|------|------|---------|
| 0 | 0 | 0 | 0 | PC09 | PC08 | PC07 | PC06 | PC05 | PC04 | PC03 | PC02 | PC01 | PC00 | RS01 | RS00 | 0x0000 |

Table 43.

| Bit Name | Description | | | | | | | | | |
|----------|--|---------|----------|----|-----------------------------------|----|-----------------------------------|----|---|----|
| PC[9:0] | 10-bit program counter address | | | | | | | | | |
| RS[1:0] | Select the register to be transferred to the data capture output | | | | | | | | | |
| | <table border="1"> <thead> <tr> <th>Setting</th> <th>Function</th> </tr> </thead> <tbody> <tr> <td>00</td> <td>Multiplier X input (MULT_X_INPUT)</td> </tr> <tr> <td>01</td> <td>Multiplier Y input (MULT_Y_INPUT)</td> </tr> <tr> <td>10</td> <td>Multiplier accumulator output (MAC_OUT)</td> </tr> <tr> <td>11</td> <td>Accumulator feedback (ACCUM_FBACK)</td> </tr> </tbody> </table> | Setting | Function | 00 | Multiplier X input (MULT_X_INPUT) | 01 | Multiplier Y input (MULT_Y_INPUT) | 10 | Multiplier accumulator output (MAC_OUT) | 11 |
| Setting | Function | | | | | | | | | |
| 00 | Multiplier X input (MULT_X_INPUT) | | | | | | | | | |
| 01 | Multiplier Y input (MULT_Y_INPUT) | | | | | | | | | |
| 10 | Multiplier accumulator output (MAC_OUT) | | | | | | | | | |
| 11 | Accumulator feedback (ACCUM_FBACK) | | | | | | | | | |

ADDRESS 2076 (0x081C)—DSP CORE CONTROL REGISTER

Table 44. DSP Core Control Register Bit Map

| D15 | D14 | D13 | D12 | D11 | D10 | D9 | D8 | D7 | D6 | D5 | D4 | D3 | D2 | D1 | D0 | Default |
|------|------|-----|-----|------|------|------|------|------|------|-----|-----|-----|----|-----|-----|---------|
| RSVD | RSVD | GD1 | GD0 | RSVD | RSVD | RSVD | AACW | GPCW | IFCW | IST | ADM | DAM | CR | SR1 | SR0 | 0x0000 |

Table 45. DSP Core Control Register

| Bit Name | Description |
|---|--|
| GD[1:0] | GPIO debounce control. These bits set the debounce time of the multipurpose pins, which are set as GPIO inputs. |
| | Setting Time (ms) |
| | 00 20 |
| | 01 40 |
| | 10 10 |
| 11 5 | |
| AACW | Auxiliary ADC data registers control port write mode. Setting this bit allows data to be written directly to the auxiliary ADC data registers (Address 2057 to Address 2060) from the control port. When this bit is set, the auxiliary ADC data registers ignore the settings on the multipurpose pins. |
| GPCW | GPIO pin setting register control port write mode. When this bit is set, the GPIO pin setting register (Address 2056) can be written to directly from the control port and this register ignores the input settings on the multipurpose pins. |
| IFCW | Interface registers control port write mode. When this bit is set, data can be written directly to the interface registers (Address 2048 to Address 2055) from the control port. In that state, the interface registers are not written from the SigmaDSP program. |
| IST | Initiate safeload transfer. Setting this bit to 1 initiates a safeload transfer to the parameter RAM. This bit is automatically cleared when the operation is complete. There are five safeload register pairs (address/data); only those registers that have been written since the last safeload event are transferred to the parameter RAM. |
| ADM | Mute ADCs. This bit mutes the output of the ADCs. The bit defaults to 0 and is active low; therefore, it must be set to 1 to transmit audio signals from the ADCs. |
| DAM | Mute DACs. This bit mutes the output of the DACs. The bit defaults to 0 and is active low; therefore, it must be set to 1 to transmit audio signals from the DACs. |
| CR | Clear internal registers to 0. This bit defaults to 0 and is active low. It must be set to 1 for a signal to pass through the SigmaDSP core. |
| SR[1:0] | Sample rate. These bits set the number of DSP instructions for every sample and the sample rate at which the ADAU1702 operates. At the default setting of 1×, there are 512 instructions per audio sample. This setting should be used with sample rates such as 48 kHz and 44.1 kHz. |
| | At the 2× setting, the number of instructions per frame is halved to 256 and the ADCs and DACs nominally run at a 96 kHz sample rate. |
| | At the 4× setting, there are 128 instructions per cycle and the converters run at a 192 kHz sample rate. |
| | Setting Function |
| | 00 1× (512 instructions) |
| 01 2× (256 instructions) | |
| 10 4× (128 instructions) | |
| 11 Reserved | |

ADDRESS 2078 (0x081E)—SERIAL OUTPUT CONTROL REGISTER

Table 46. Serial Output Control Register Bit Map

| D15 | D14 | D13 | D12 | D11 | D10 | D9 | D8 | D7 | D6 | D5 | D4 | D3 | D2 | D1 | D0 | Default |
|-----|-----|------|-----|-----|------|------|------|------|-----|-----|------|------|------|------|------|---------|
| 0 | 0 | OLRP | OBP | M/S | OBF1 | OBF0 | OLF1 | OLF0 | FST | TDM | MSB2 | MSB1 | MSB0 | OWL1 | OWL0 | 0x0000 |

Table 47.

| Bit Name | Description | |
|----------|--|--|
| OLRP | OUTPUT_LRCLK polarity. When this bit is set to 0, the left channel data is clocked when OUTPUT_LRCLK is low and the right channel data is clocked when OUTPUT_LRCLK is high. When this bit is set to 1, the right channel data is clocked when OUTPUT_LRCLK is low and the left channel data is clocked when OUTPUT_LRCLK is high. | |
| OBP | OUTPUT_BCLK polarity. This bit controls on which edge of the bit clock the output data is clocked. Data changes on the falling edge of OUTPUT_BCLK when this bit is set to 0, and it changes on the rising edge when this bit is set to 1. | |
| M/S | Master/slave. This bit sets whether the output port is a clock master or slave. The default setting is slave; on power-up, the OUTPUT_BCLK and OUTPUT_LRCLK pins are set as inputs until this bit is set to 1, at which time they become clock outputs. | |
| OBF[1:0] | OUTPUT_BCLK frequency (master mode only). When the output port is being used as a clock master, these bits set the frequency of the output bit clock, which is divided down from an internal $1024 \times f_s$ clock (49.152 MHz for a f_s of 48 kHz). | |
| | Setting | Function |
| | 00 | Internal clock/16 |
| | 01 | Internal clock/8 |
| | 10 | Internal clock/4 |
| OLF[1:0] | OUTPUT_LRCLK frequency (master mode only). When the output port is used as a clock master, these bits set the frequency of the output word clock on the OUTPUT_LRCLK pins, which is divided down from an internal $1024 \times f_s$ clock (49.152 MHz for a f_s of 48 kHz). | |
| | Setting | Function |
| | 00 | Internal clock/1024 |
| | 01 | Internal clock/512 |
| | 10 | Internal clock/256 |
| FST | Frame sync type. This bit sets the type of signal on the OUTPUT_LRCLK pins. When this bit is set to 0, the signal is a word clock with a 50% duty cycle; when this bit is set to 1, the signal is a pulse with a duration of one bit clock at the beginning of the data frame. | |
| | 11 | Reserved |
| | TDM | TDM enable. Setting this bit to 1 changes the output port from four serial stereo outputs to a single 8-channel TDM output stream on the SDATA_OUT0 pin (MP6). |
| | MSB[2:0] | MSB position. These three bits set the position of the MSB of data with respect to the LRCLK edge. The data output of the ADAU1702 is always MSB first. |
| | | Setting |
| 000 | | Delay by 1 |
| 001 | | Delay by 0 |
| 010 | | Delay by 8 |
| 011 | | Delay by 12 |
| 100 | | Delay by 16 |
| 101 | | Reserved |
| 111 | Reserved | |
| OWL[1:0] | Output word length. These bits set the word length of the output data-word. All bits following the LSB are set to 0. | |
| | OWL[1:0] | Setting |
| | 00 | 24 bits |
| | 01 | 20 bits |
| | 10 | 16 bits |
| 11 | Reserved | |

ADDRESS 2079 (0x081F)—SERIAL INPUT CONTROL REGISTER

Table 48. Serial Input Control Register Bit Map

| D7 | D6 | D5 | D4 | D3 | D2 | D1 | D0 | Default |
|----|----|----|-----|-----|----|----|----|---------|
| 0 | 0 | 0 | ILP | IBP | M2 | M1 | M0 | 0x00 |

Table 49. Serial Input Control Register Bit Descriptions

| Bit Name | Description | | | | | | | | | | | | | | | | | | |
|----------|---|---------|----------|-----|------------------|-----|----------------|-----|-----|-----|--------------------------|-----|--------------------------|-----|--------------------------|-----|--------------------------|-----|----------|
| ILP | INPUT_LRCLK polarity. When this bit is set to 0, the left channel data on the SDATA_INx pins is clocked when INPUT_LRCLK is low and the right channel data is clocked when INPUT_LRCLK is high. When this bit is set to 1, the clocking of these channels is reversed. In TDM mode, when this bit is set to 0, data is clocked in starting with the next appropriate BCLK edge (set in Bit 3 of this register) after a falling edge on the INPUT_LRCLK pin. When this bit is set to 1 and the device is running in TDM mode, the input data is valid on the BCLK edge after a rising edge on the word clock (INPUT_LRCLK). INPUT_LRCLK can also operate with a pulse input, rather than a clock; in this case, the first edge of the pulse is used by the ADAU1702 to start the data frame. When this polarity bit is set to 0, use a low pulse; when the bit is set to 1, use a high pulse. | | | | | | | | | | | | | | | | | | |
| IBP | INPUT_BCLK polarity. This bit controls on which edge of the bit clock the input data changes and on which edge it is clocked. Data changes on the falling edge of INPUT_BCLK when this bit is set to 0 and on the rising edge when this bit is set to 1. | | | | | | | | | | | | | | | | | | |
| M[2:0] | <p>Serial input mode. These two bits control the data format that the input port expects to receive. Bit 3 and Bit 4 of this control register override the settings of Bits[2:0]; therefore, all four bits must be changed together for proper operation in some modes. The clock diagrams for these modes are shown in Figure 32, Figure 33, and Figure 34. Note that for left-justified and right-justified modes, the LRCLK polarity is high and then low, which is the opposite of the default setting for ILP.</p> <p>When these bits are set to accept a TDM input, the ADAU1702 data starts after the edge defined by ILP. Input the ADAU1702 TDM data stream on Pin SDATA_IN0. Figure 35 shows a TDM stream with a high-to-low triggered LRCLK and data changing on the falling edge of the BCLK. The ADAU1702 expects the MSB of each data slot to be delayed by one BCLK from the beginning of the slot, as it would in stereo I²S format. In TDM mode, Channel 0 to Channel 3 are in the first half of the frame, and Channel 4 to Channel 7 are in the second half. Figure 36 shows an example of a TDM stream running with a pulse word clock, which is used to interface to ADI codecs in auxiliary mode. To work in this mode with either the input or output serial ports, set the ADAU1702 to begin the frame on the rising edge of LRCLK, to change data on the falling edge of BCLK, and to delay the MSB position from the start of the word clock by one BCLK.</p> <table border="1"> <thead> <tr> <th>Setting</th> <th>Function</th> </tr> </thead> <tbody> <tr> <td>000</td> <td>I²S</td> </tr> <tr> <td>001</td> <td>Left justified</td> </tr> <tr> <td>010</td> <td>TDM</td> </tr> <tr> <td>011</td> <td>Right justified, 24 bits</td> </tr> <tr> <td>100</td> <td>Right justified, 20 bits</td> </tr> <tr> <td>101</td> <td>Right justified, 18 bits</td> </tr> <tr> <td>110</td> <td>Right justified, 16 bits</td> </tr> <tr> <td>111</td> <td>Reserved</td> </tr> </tbody> </table> | Setting | Function | 000 | I ² S | 001 | Left justified | 010 | TDM | 011 | Right justified, 24 bits | 100 | Right justified, 20 bits | 101 | Right justified, 18 bits | 110 | Right justified, 16 bits | 111 | Reserved |
| Setting | Function | | | | | | | | | | | | | | | | | | |
| 000 | I ² S | | | | | | | | | | | | | | | | | | |
| 001 | Left justified | | | | | | | | | | | | | | | | | | |
| 010 | TDM | | | | | | | | | | | | | | | | | | |
| 011 | Right justified, 24 bits | | | | | | | | | | | | | | | | | | |
| 100 | Right justified, 20 bits | | | | | | | | | | | | | | | | | | |
| 101 | Right justified, 18 bits | | | | | | | | | | | | | | | | | | |
| 110 | Right justified, 16 bits | | | | | | | | | | | | | | | | | | |
| 111 | Reserved | | | | | | | | | | | | | | | | | | |

ADDRESS 2080 TO ADDRESS 2081 (0x0820 TO 0x0821)—MULTIPURPOSE PIN CONFIGURATION REGISTERS

Each multipurpose pin can be set to different functions from these registers (2080 to 2081). The two 3-byte registers are broken up into 12 4-bit (nibble) sections that each control a

different MP pin. Table 52 lists the function of each nibble setting within the MP pin configuration registers. Each MP pin has a 4-bit configuration, the MSB of which inverts the input to, or the output from, the pin. The internal pull-up resistor (approximately 10 kΩ) of each MP pin is enabled when it is set as a digital input (either a GPIO input or a serial data port input).

Table 50. Register 2080 Bit Map

| D15 | D14 | D13 | D12 | D11 | D10 | D9 | D8 | D23 D7 | D22 D6 | D21 D5 | D20 D4 | D19 D3 | D18 D2 | D17 D1 | D16 D0 | Default |
|------|------|------|------|------|------|------|------|--------------|--------------|--------------|--------------|--------------|--------------|--------------|--------------|----------------|
| MP33 | MP32 | MP31 | MP30 | MP23 | MP22 | MP21 | MP20 | MP53 MP13 | MP52 MP12 | MP51 MP11 | MP50 MP10 | MP43 MP03 | MP42 MP02 | MP41 MP01 | MP40 MP00 | 0x00 0x0000 |

Table 51. Register 2081 Bit Map

| D15 | D14 | D13 | D12 | D11 | D10 | D9 | D8 | D23 D7 | D22 D6 | D21 D5 | D20 D4 | D19 D3 | D18 D2 | D17 D1 | D16 D0 | Default |
|------|------|------|------|------|------|------|------|---------------|---------------|---------------|---------------|---------------|---------------|---------------|---------------|----------------|
| MP93 | MP92 | MP91 | MP90 | MP83 | MP82 | MP81 | MP80 | MP113 MP73 | MP112 MP72 | MP111 MP71 | MP110 MP70 | MP103 MP63 | MP102 MP62 | MP101 MP61 | MP100 MP60 | 0x00 0x0000 |

Table 52. Multipurpose Configuration Registers Bit Descriptions

| Bit Name | Description | |
|----------|---|--|
| MPx[3:0] | These bits set the function of each multipurpose pin. | |
| | Setting | Function |
| | 1111 | Auxiliary ADC input (see Table 61) |
| | 1110 | Reserved |
| | 1101 | Reserved |
| | 1100 | Serial data port—inverted (see Table 63) |
| | 1011 | Open-collector output—inverted |
| | 1010 | GPIO output—inverted |
| | 1001 | GPIO input, no debounce—inverted |
| | 1000 | GPIO input, debounced—inverted |
| | 0111 | Not applicable |
| | 0110 | Reserved |
| | 0101 | Reserved |
| | 0100 | Serial data port (see Table 63) |
| 0011 | Open-collector output | |
| 0010 | GPIO output | |
| 0001 | GPIO input, no debounce | |
| 0000 | GPIO input, debounced | |

ADDRESS 2082 (0x0822)—AUXILIARY ADC AND POWER CONTROL REGISTER

Table 53. Auxiliary ADC and Power Control Register Bit Map

| D15 | D14 | D13 | D12 | D11 | D10 | D9 | D8 | D7 | D6 | D5 | D4 | D3 | D2 | D1 | D0 | Default |
|------|------|------|------|------|------|------|------|------|------|------|------|------|------|------|------|---------|
| RSVD | RSVD | RSVD | RSVD | RSVD | RSVD | FIL1 | FIL0 | AAPD | VBPD | VRPD | RSVD | D0PD | D1PD | D2PD | D3PD | 0x0000 |

Table 54. Auxiliary ADC and Power Control Register Bit Descriptions

| Bit Name | Description | |
|----------|-------------------------------------|---------------------------------|
| FIL[1:0] | Auxiliary ADC filtering | |
| | Setting | Function |
| | 00 | 4-bit hysteresis (12-bit level) |
| | 01 | 5-bit hysteresis (12-bit level) |
| | 10 | Filter and hysteresis bypassed |
| | 11 | Low-pass filter bypassed |
| AAPD | ADC power-down (both ADCs) | |
| VBPD | Voltage reference buffer power-down | |
| VRPD | Voltage reference power-down | |
| D0PD | DAC0 power-down | |
| D1PD | DAC1 power-down | |
| D2PD | DAC2 power-down | |
| D3PD | DAC3 power-down | |

ADDRESS 2084 (0x0824)—AUXILIARY ADC ENABLE REGISTER

Table 55. Auxiliary ADC Enable Register Bit Map

| D15 | D14 | D13 | D12 | D11 | D10 | D9 | D8 | D7 | D6 | D5 | D4 | D3 | D2 | D1 | D0 | Default |
|------|------|------|------|------|------|------|------|------|------|------|------|------|------|------|------|---------|
| AAEN | RSVD | RSVD | RSVD | RSVD | RSVD | RSVD | RSVD | RSVD | RSVD | RSVD | RSVD | RSVD | RSVD | RSVD | RSVD | 0x0000 |

Table 56. Auxiliary ADC Enable Register Bit Descriptions

| Bit Name | Description |
|----------|--------------------------|
| AAEN | Enable the auxiliary ADC |

ADDRESS 2086 (0x0826)—OSCILLATOR POWER-DOWN REGISTER

Table 57. Oscillator Power-Down Register Bit Map

| D15 | D14 | D13 | D12 | D11 | D10 | D9 | D8 | D7 | D6 | D5 | D4 | D3 | D2 | D1 | D0 | Default |
|------|------|------|------|------|------|------|------|------|------|------|------|------|-----|------|------|---------|
| RSVD | RSVD | RSVD | RSVD | RSVD | RSVD | RSVD | RSVD | RSVD | RSVD | RSVD | RSVD | RSVD | OPD | RSVD | RSVD | 0x0000 |

Table 58. Oscillator Power-Down Register Bit Descriptions

| Bit Name | Description |
|----------|---|
| OPD | Oscillator power-down. This bit powers down the oscillator. |

ADDRESS 2087 (0x0827)—DAC SETUP

To properly initialize the DACs, set Bits DS[1:0] in this register to 01.

Table 59. DAC Setup Bit Map

| D15 | D14 | D13 | D12 | D11 | D10 | D9 | D8 | D7 | D6 | D5 | D4 | D3 | D2 | D1 | D0 | Default |
|------|------|------|------|------|------|------|------|------|------|------|------|------|------|-----|-----|---------|
| RSVD | RSVD | RSVD | RSVD | RSVD | RSVD | RSVD | RSVD | RSVD | RSVD | RSVD | RSVD | RSVD | RSVD | DS1 | DS0 | 0x0000 |

Table 60.

| Bit Name | Description | |
|----------|-------------|-----------------|
| DS[1:0] | DAC setup | |
| | Setting | Function |
| | 00 | Reserved |
| | 01 | Initialize DACs |
| | 10 | Reserved |
| 11 | Reserved | |

MULTIPURPOSE PINS

The ADAU1702 has 12 multipurpose (MP) pins that can be individually programmed for use as serial data inputs, serial data outputs, digital control inputs/outputs to and from the SigmaDSP core, or inputs to the 4-channel auxiliary ADC. These pins allow the ADAU1702 to be used with external ADCs and DACs. They also use analog or digital inputs to control settings such as volume control, or use output digital signals to drive LED indicators. Every MP pin has an internal 15 k Ω pull-up resistor.

AUXILIARY ADC

The ADAU1702 has a 4-channel, auxiliary, 8-bit ADC that can be used in conjunction with a potentiometer to control volume, tone, or other parameter settings in the DSP program. Each of the four channels is sampled at the audio sampling frequency (f_s). Full-scale input on this ADC is 3.0 V, thus the step size is approximately 12 mV (3.0 V/256 steps). The input resistance of the ADC is approximately 30 k Ω . Table 61 indicates which four MP pins are mapped to the four channels of the auxiliary ADC. The auxiliary ADC is enabled for those pins by writing 1111 to the appropriate portion of the multipurpose pin configuration registers.

The auxiliary ADC is turned on by setting the AAEN bit of the auxiliary ADC enable register (see Table 56).

Noise on the ADC input can cause the digital output to change constantly by a few LSBs. If the auxiliary ADC is used to control volume, this constant change causes small gain fluctuations. To avoid this, add a low-pass filter or hysteresis to the auxiliary ADC signal path by enabling either function in the auxiliary ADC and power control register (Address 2082), as described in Table 54. The filter is enabled by default when the auxiliary ADC is enabled. When data is read from the auxiliary ADC registers, two bytes (12 bits of data plus zero padded LSBs) are available because of this filtering.

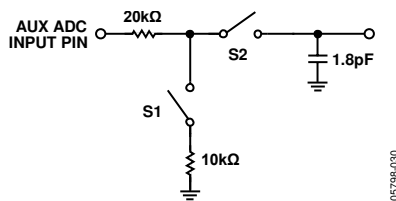


Figure 31. Auxiliary ADC Input Circuit

Figure 31 shows the input circuit for the auxiliary ADC. Switch S1 enables the auxiliary ADC and is set by Bit 15 of the auxiliary ADC enable register. The sampling switch, S2, operates at the audio sampling frequency.

The auxiliary ADC data registers can be written to directly after AACW in the DSP core control register has been set. In this mode, the voltages on the analog inputs are not written into the registers, but rather the data in the registers is written from the control port.

PVDD supplies the 3.3 V power for the auxiliary ADC analog input. The digital core of the auxiliary ADC is powered with the 1.8 V DVDD signal.

Table 61. Multipurpose Pin Auxiliary ADC Mapping

| Multipurpose Pin | Function |
|------------------|----------------|
| MP0 | Not applicable |
| MP1 | Not applicable |
| MP2 | ADC1 |
| MP3 | ADC2 |
| MP4 | Not applicable |
| MP5 | Not applicable |
| MP6 | Not applicable |
| MP7 | Not applicable |
| MP8 | ADC3 |
| MP9 | ADC0 |
| MP10 | Not applicable |
| MP11 | Not applicable |

GENERAL-PURPOSE INPUT/OUTPUT PINS

Use the general-purpose input/output (GPIO) pins as either inputs or outputs. These pins are readable and are set either through the control interface or directly by the SigmaDSP core. When set as inputs, these pins can be used with push-button switches or rotary encoders to control DSP program settings. Use digital outputs to drive LEDs or external logic to indicate the status of internal signals and to control other devices. Examples of this use include indicating signal overload, signal present, and button press confirmation.

When set as an output, each pin can typically drive 2 mA. This is enough current to directly drive some high efficiency LEDs. Standard LEDs require about 20 mA of current and can be driven from a GPIO output with an external transistor or buffer. Because of issues that can arise from simultaneously driving or sinking a large current on many pins, take care in the application design to avoid connecting high efficiency LEDs directly to many or all of the MPx pins. If many LEDs are required, use an external driver.

When the GPIO pins are set as open-collector outputs, they should be pulled up to a maximum voltage of 3.3 V (the voltage on IOVDD).

SERIAL DATA INPUT/OUTPUT PORTS

The flexible serial data input and output ports of the ADAU1702 can be set to accept or transmit data in 2-channel format or in an 8-channel TDM stream. Data is processed in twos complement, MSB-first format. The left-channel data field always precedes the right-channel data field in the 2-channel streams. In TDM mode, Slot 0 to Slot 3 are in the first half of the audio frame, and Slot 4 to Slot 7 are in the second half of the frame. TDM mode allows fewer multipurpose pins to be used, freeing more pins for other functions. The serial modes are set in the serial output and serial input control registers.

The serial data clocks need to be synchronous with the ADAU1702 master clock input.

The input control register allows control of clock polarity and data input modes. The valid data formats are I²S, left-justified, right-justified (24-/20-/18-/16-bit), and 8-channel TDM. In all modes, except for the right-justified modes, the serial port accepts an arbitrary number of bits up to a limit of 24. Extra bits do not cause an error, but they are truncated internally. Proper operation of the right-justified modes requires that there be exactly 64 BCLKs per audio frame. The TDM data is input on SDATA_IN0. The LRCLK in TDM mode can be input to the ADAU1702 either as a 50/50 duty cycle clock or as a bit-wide pulse.

In TDM mode, the ADAU1702 can be a master for 48 kHz and 96 kHz data, but not for 192 kHz data. Table 62 lists the modes in which the serial output port can function.

Table 62. Serial Output Port Master/Slave Mode Capabilities

| f _s | 2-Channel Modes (I ² S, Left Justified, Right Justified) | 8-Channel TDM |
|----------------|---|------------------|
| 48 kHz | Master and slave | Master and slave |
| 96 kHz | Master and slave | Master and slave |
| 192 kHz | Master and slave | Slave only |

The output control registers allow the user to control clock polarities, clock frequencies, clock types, and data format. In all modes except for the right-justified modes (MSB delayed by 8, 12, or 16 bits), the serial port accepts an arbitrary number of bits up to a limit of 24. Extra bits do not cause an error, rather, they are truncated internally. Proper operation of the right-justified modes requires the LSB to align with the edge of the LRCLK. The default settings of all serial port control registers correspond to the 2-channel I²S mode. All register settings apply to both master and slave modes, unless otherwise noted.

The function of each multipurpose pin in serial data port mode is listed in Table 63. Pin MP0 to Pin MP5 support digital data input to the ADAU1702, and Pin MP6 to Pin MP11 handle digital data output from the DSP. The configuration of the serial data input port is set in the serial input control register (Table 49), and

Table 64. Data Format Configurations

| Format | LRCLK Polarity | LRCLK Type | BCLK Polarity | MSB Position |
|------------------------------|------------------------------|------------|------------------------------|---|
| I ² S (Figure 32) | Frame begins on falling edge | Clock | Data changes on falling edge | Delayed from LRCLK edge by 1 BCLK |
| Left Justified (Figure 33) | Frame begins on rising edge | Clock | Data changes on falling edge | Aligned with LRCLK edge |
| Right Justified (Figure 34) | Frame begins on rising edge | Clock | Data changes on falling edge | Delayed from LRCLK edge by 8, 12, or 16 BCLKs |
| TDM with Clock (Figure 35) | Frame begins on falling edge | Clock | Data changes on falling edge | Delayed from start of word clock by 1 BCLK |
| TDM with Pulse (Figure 36) | Frame begins on rising edge | Pulse | Data changes on falling edge | Delayed from start of word clock by 1 BCLK |

the configuration of the corresponding output port is controlled with the serial output control register (Table 47). The clocks of the input port function only as slaves, whereas the output port clocks can be set to function as either masters or slaves. The INPUT_LRCLK (MP4) and INPUT_BCLK (MP5) pins are used to clock the SDATA_INx (MP0 to MP3) signals, and the OUTPUT_LRCLK (MP10) and OUTPUT_BCLK (MP11) pins are used to clock the SDATA_OUTx (MP6 to MP9) signals.

If an external ADC is connected as a slave to the ADAU1702, use both the input and output port clocks. The OUTPUT_LRCLK (MP10) and OUTPUT_BCLK (MP11) pins must be set to master mode and connected externally to the INPUT_LRCLK (MP4) and INPUT_BCLK (MP5) pins, as well as to the external ADC clock input pins. The data is output from the external ADC into the SigmaDSP on one of the four SDATA_INx pins (MP0 to MP3).

Connections to an external DAC are handled exclusively with the output port pins. The OUTPUT_LRCLK and OUTPUT_BCLK pins can be set to function as either masters or slaves, and the SDATA_OUTx pins are used to output data from the SigmaDSP to the external DAC.

Table 64 describes the proper configurations for standard audio data formats.

Table 63. Multipurpose Pin Serial Data Port Functions

| Multipurpose Pin | Function |
|------------------|--------------------------------|
| MP0 | SDATA_IN0/TDM_IN |
| MP1 | SDATA_IN1 |
| MP2 | SDATA_IN2 |
| MP3 | SDATA_IN3 |
| MP4 | INPUT_LRCLK (slave only) |
| MP5 | INPUT_BCLK (slave only) |
| MP6 | SDATA_OUT0/TDM_OUT |
| MP7 | SDATA_OUT1 |
| MP8 | SDATA_OUT2 |
| MP9 | SDATA_OUT3 |
| MP10 | OUTPUT_LRCLK (master or slave) |
| MP11 | OUTPUT_BCLK (master or slave) |

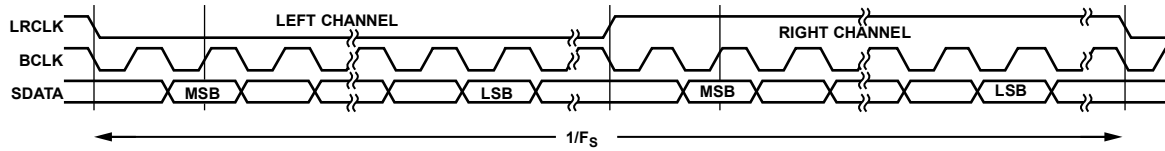


Figure 32. PS Mode—16 Bits to 24 Bits Per Channel

05798-031

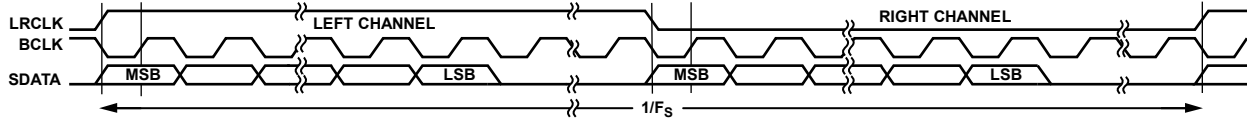


Figure 33. Left-Justified Mode—16 Bits to 24 Bits Per Channel

05798-032

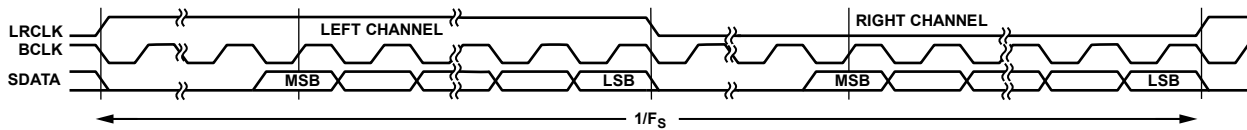


Figure 34. Right-Justified Mode—16 Bits to 24 Bits Per Channel

05798-033

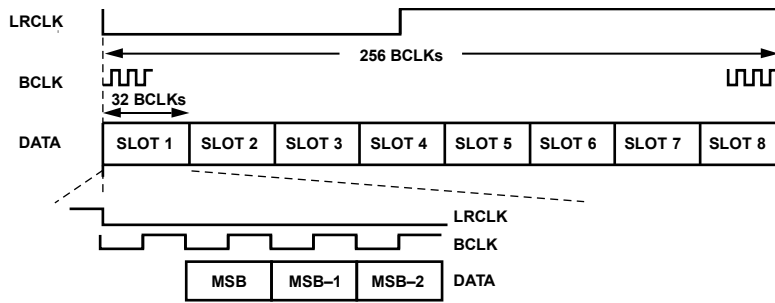


Figure 35. TDM Mode

05798-034

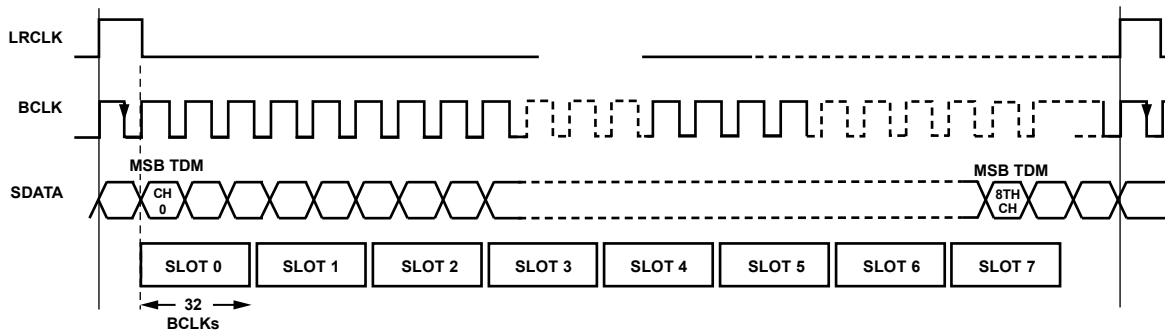


Figure 36. TDM Mode with Pulse Word Clock

05798-035

LAYOUT RECOMMENDATIONS

PARTS PLACEMENT

Place the ADC input voltage-to-current resistors and the ADC current set resistor as close as possible to the two, three, and four input pins.

All 100 nF bypass capacitors, which are recommended for every analog, digital, and PLL power/ground pair, should be placed as close as possible to the [ADAU1702](#). Bypass each of the 3.3 V and 1.8 V signals on the board with a single bulk capacitor (10 μ F to 47 μ F).

To minimize stray capacitance, keep all traces in the crystal oscillator circuit (Figure 14) as short as possible. In addition, avoid long board traces connected to any of these components because such traces can affect crystal startup and operation.

GROUNDING

Use a single ground plane in the application layout. Place components in an analog signal path away from digital signals.

TYPICAL APPLICATION SCHEMATICS

SELF-BOOT MODE

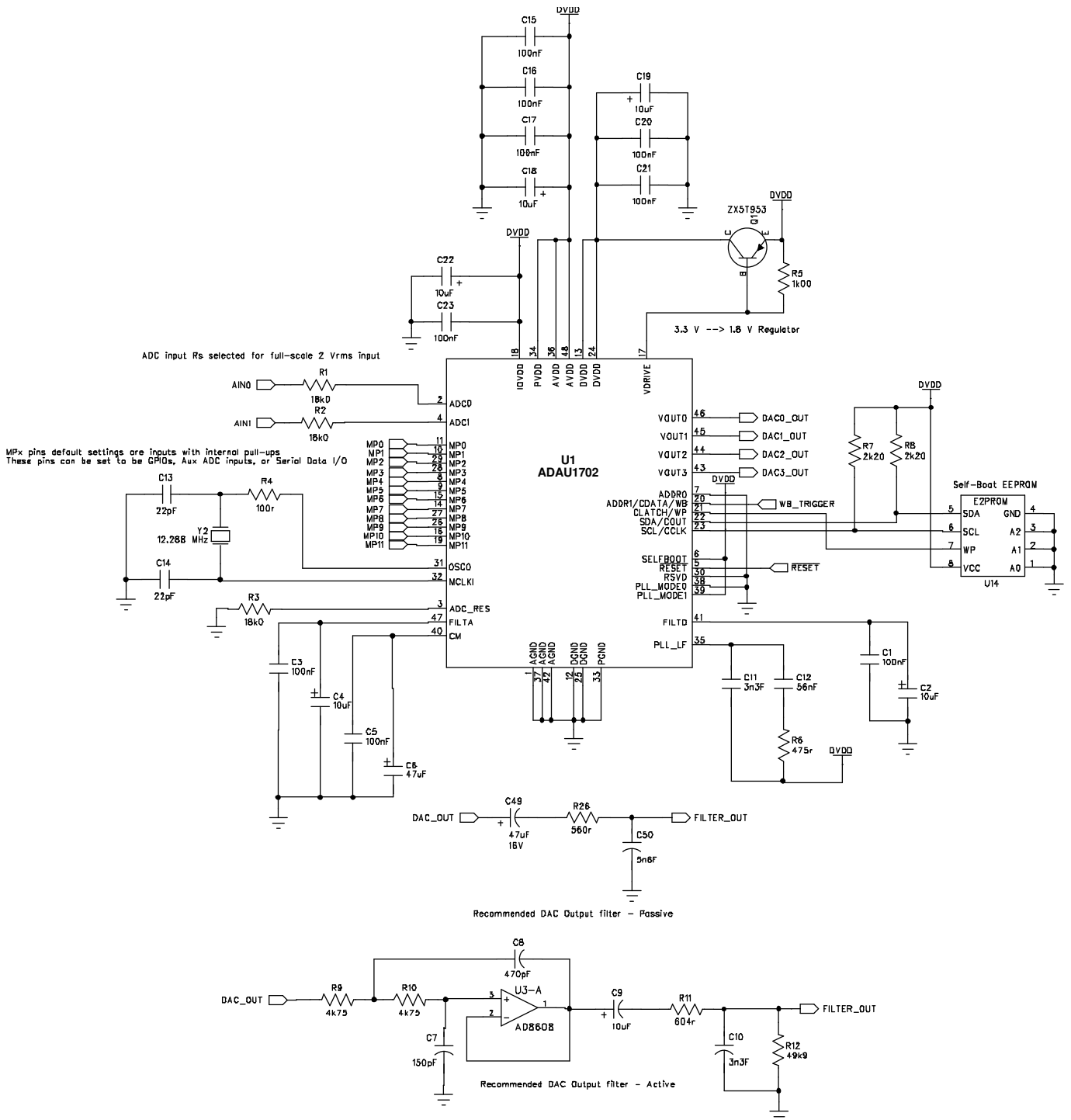


Figure 37. Self-Boot Mode Schematic

I²C CONTROL

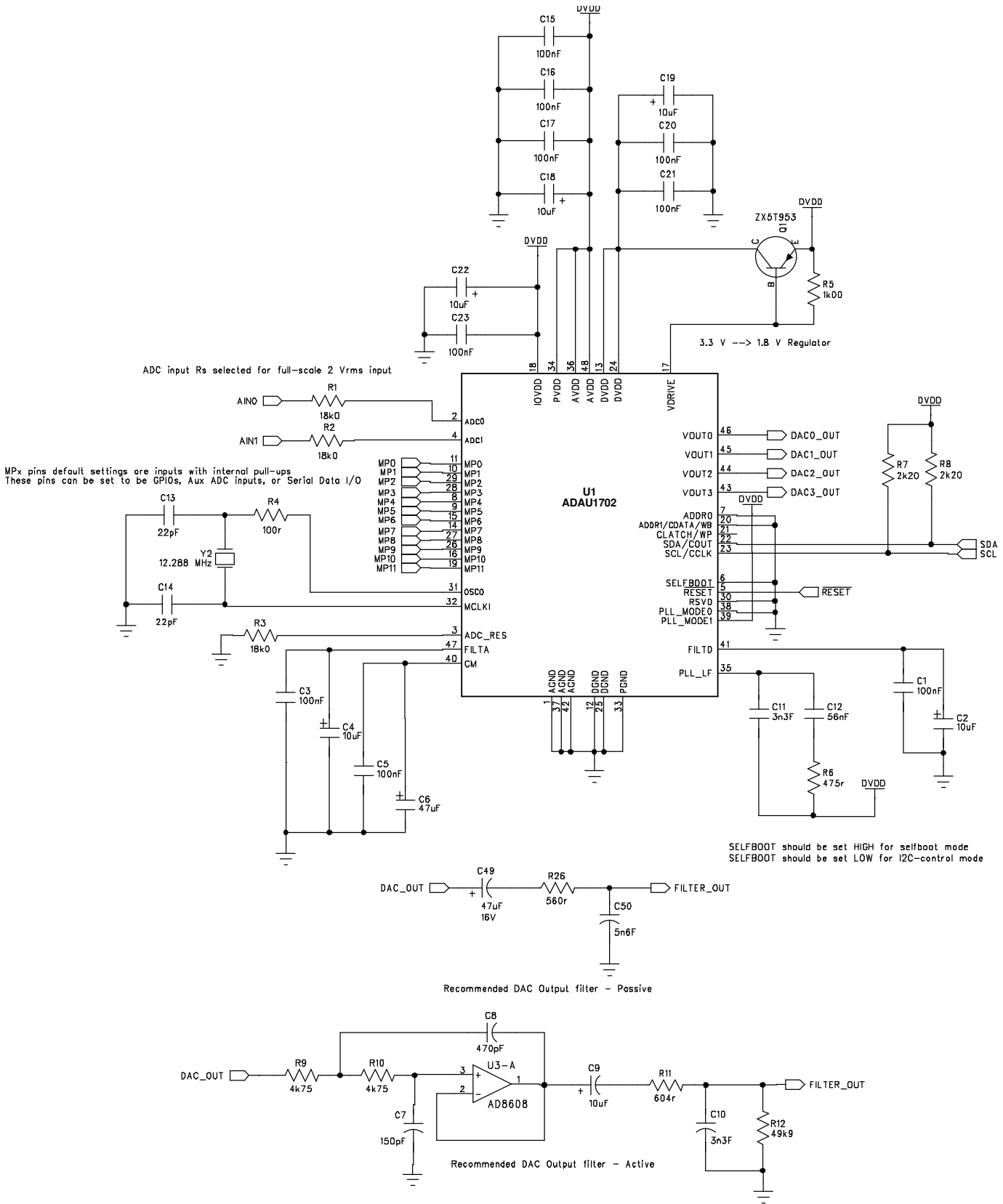


Figure 38. I²C Control Schematic

SPI CONTROL

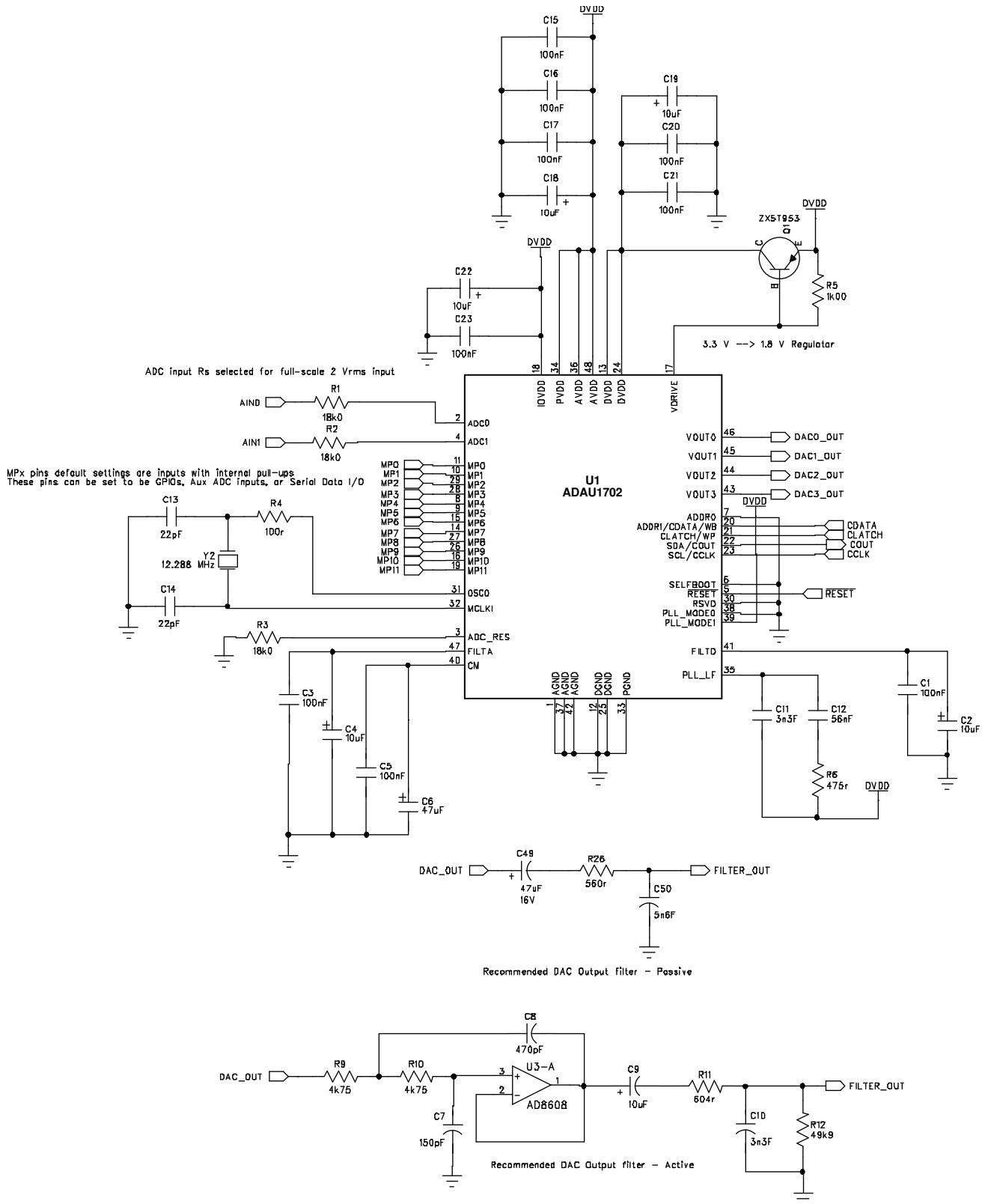
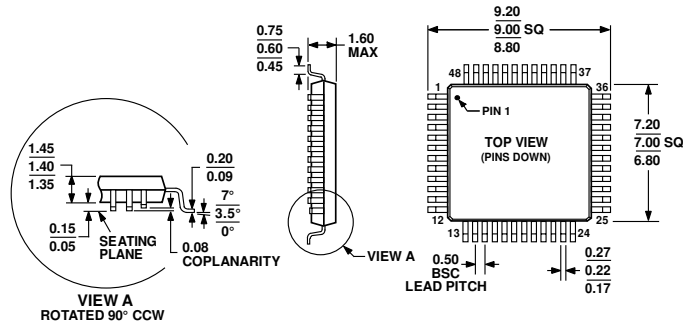


Figure 39. SPI Control Schematic

OUTLINE DIMENSIONS



COMPLIANT TO JEDEC STANDARDS MS-026-BBC

Figure 40. 48-Lead Low-Profile Quad Flat Package [LQFP] (ST-48)

Dimensions shown in millimeters

ORDERING GUIDE

| Model ^{1, 2} | Temperature Range | Package Description | Package Option |
|-----------------------|-------------------|-----------------------------------|----------------|
| ADAU1702JSTZ | 0°C to +70°C | 48-Lead LQFP | ST-48 |
| ADAU1702JSTZ-RL | 0°C to +70°C | 48-Lead LQFP in 13" Tape and Reel | ST-48 |
| EVAL-ADAU1401EBZ | | Evaluation Board | |
| EVAL-ADAU1701MINIZ | | Evaluation Board | |

¹ Z = RoHS Compliant Part.

² The EVAL-ADAU1401EBZ and the EVAL-ADAU1701MINIZ are used to evaluate the ADAU1702, ADAU1701, and the ADAU1401.

I²C refers to a communications protocol originally developed by Philips Semiconductors (now NXP Semiconductors).