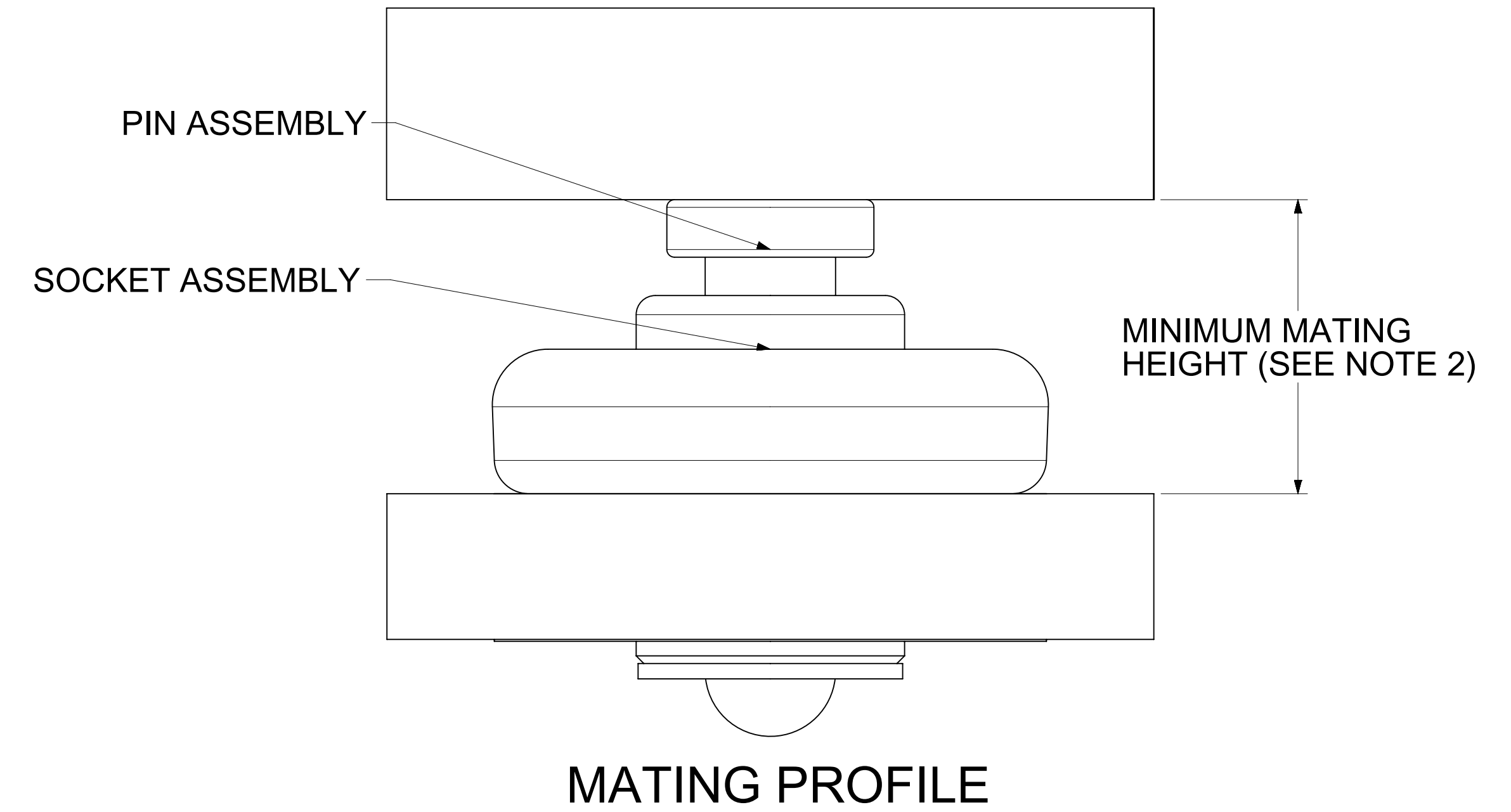
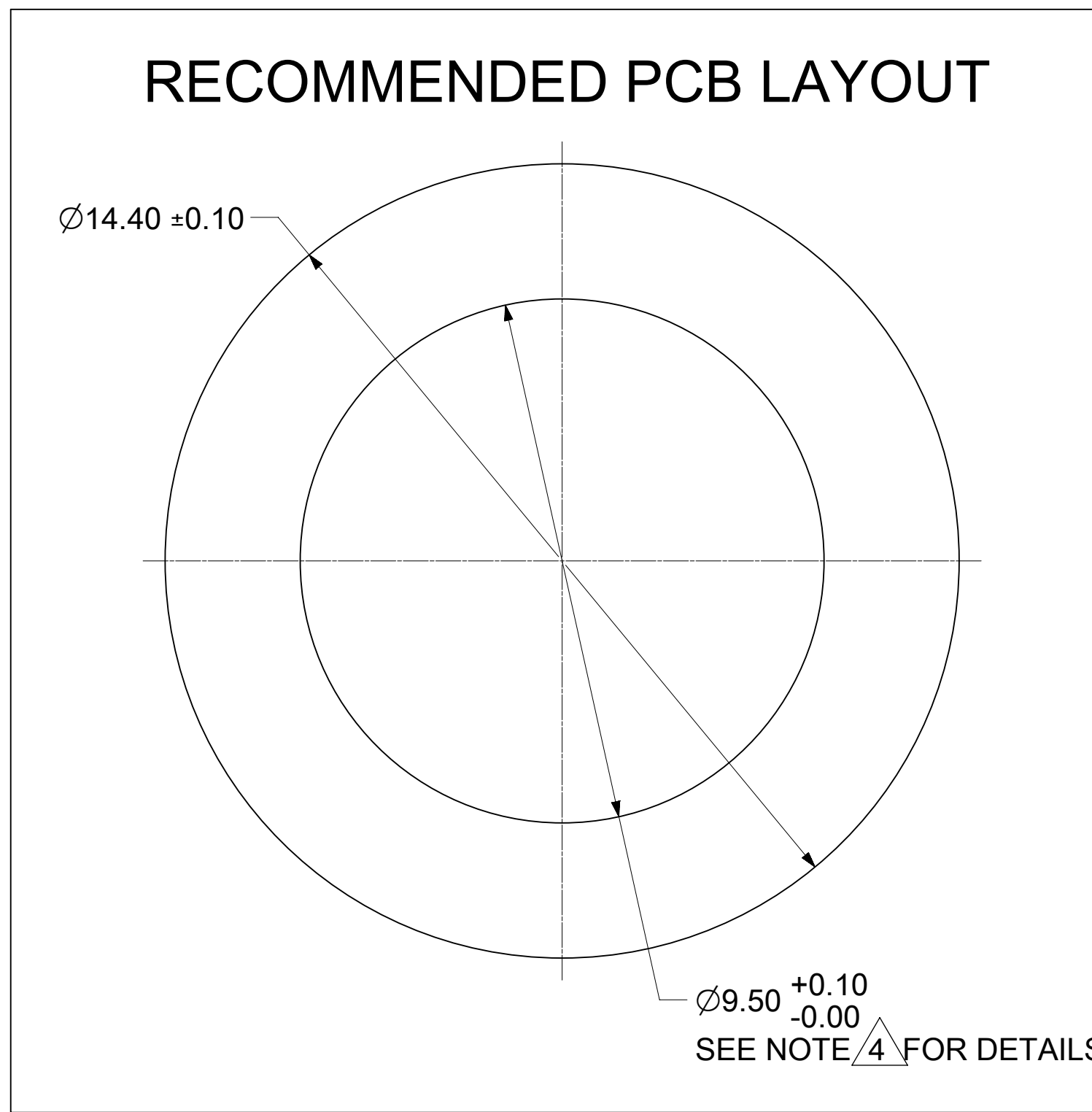
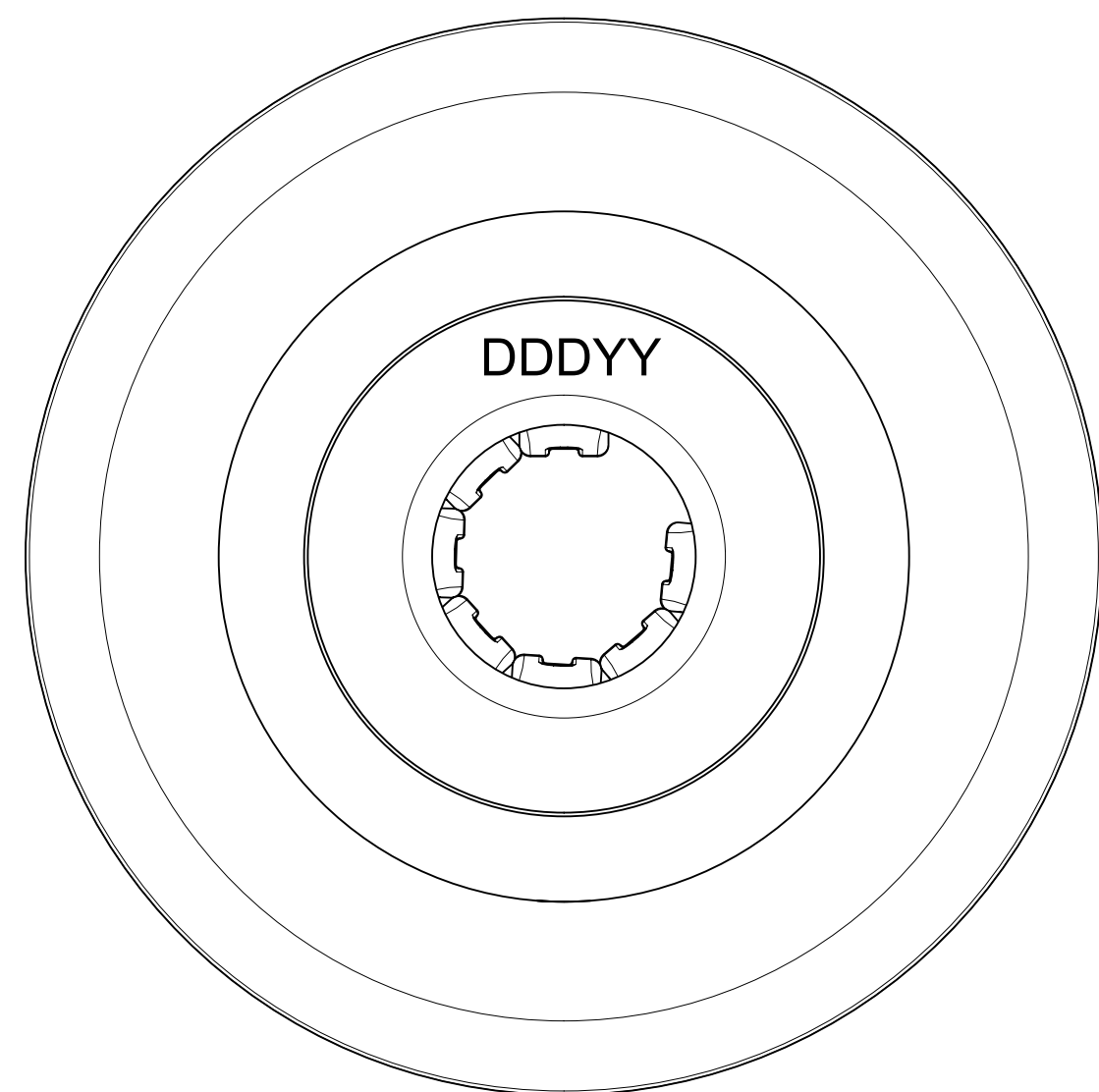
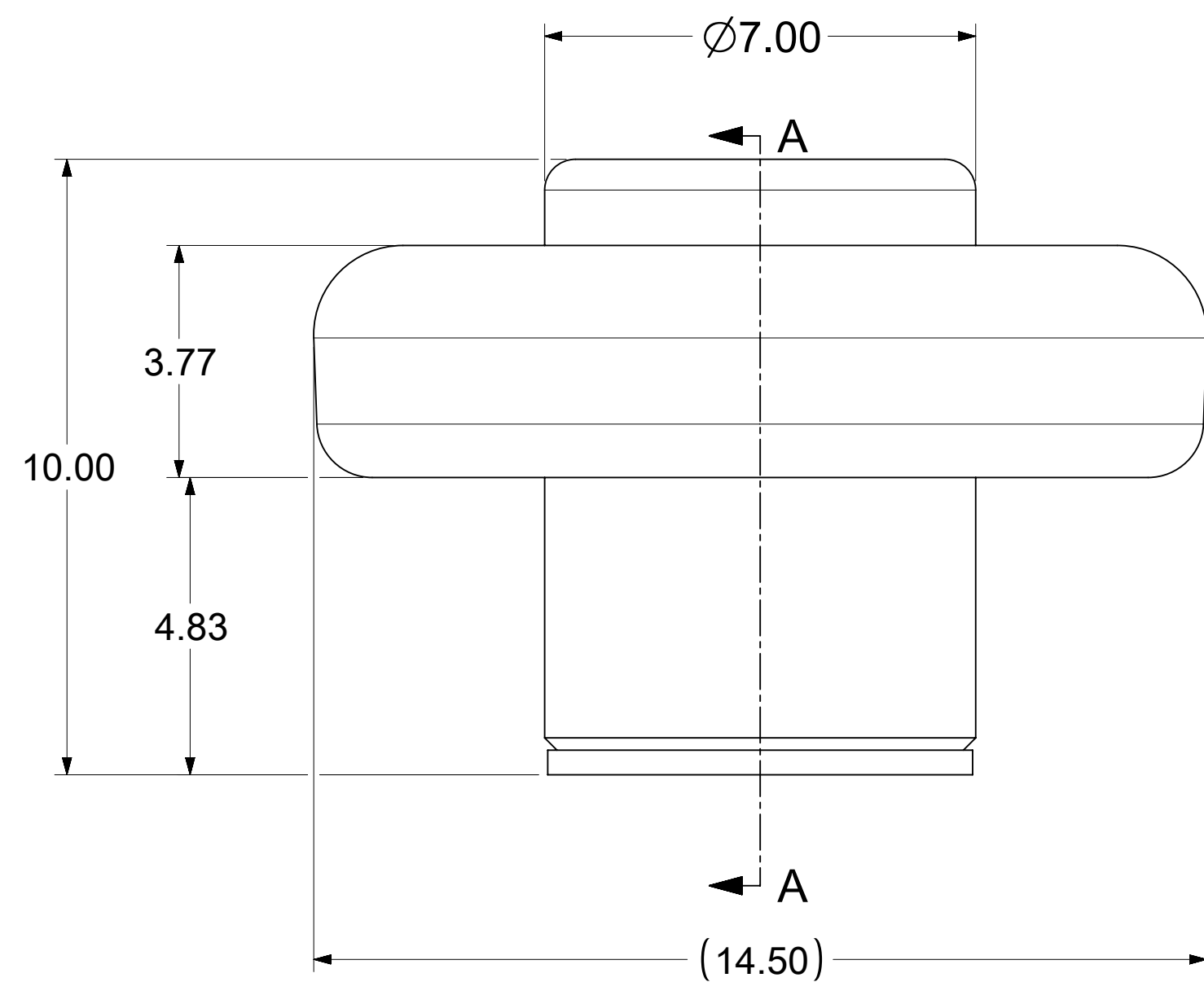
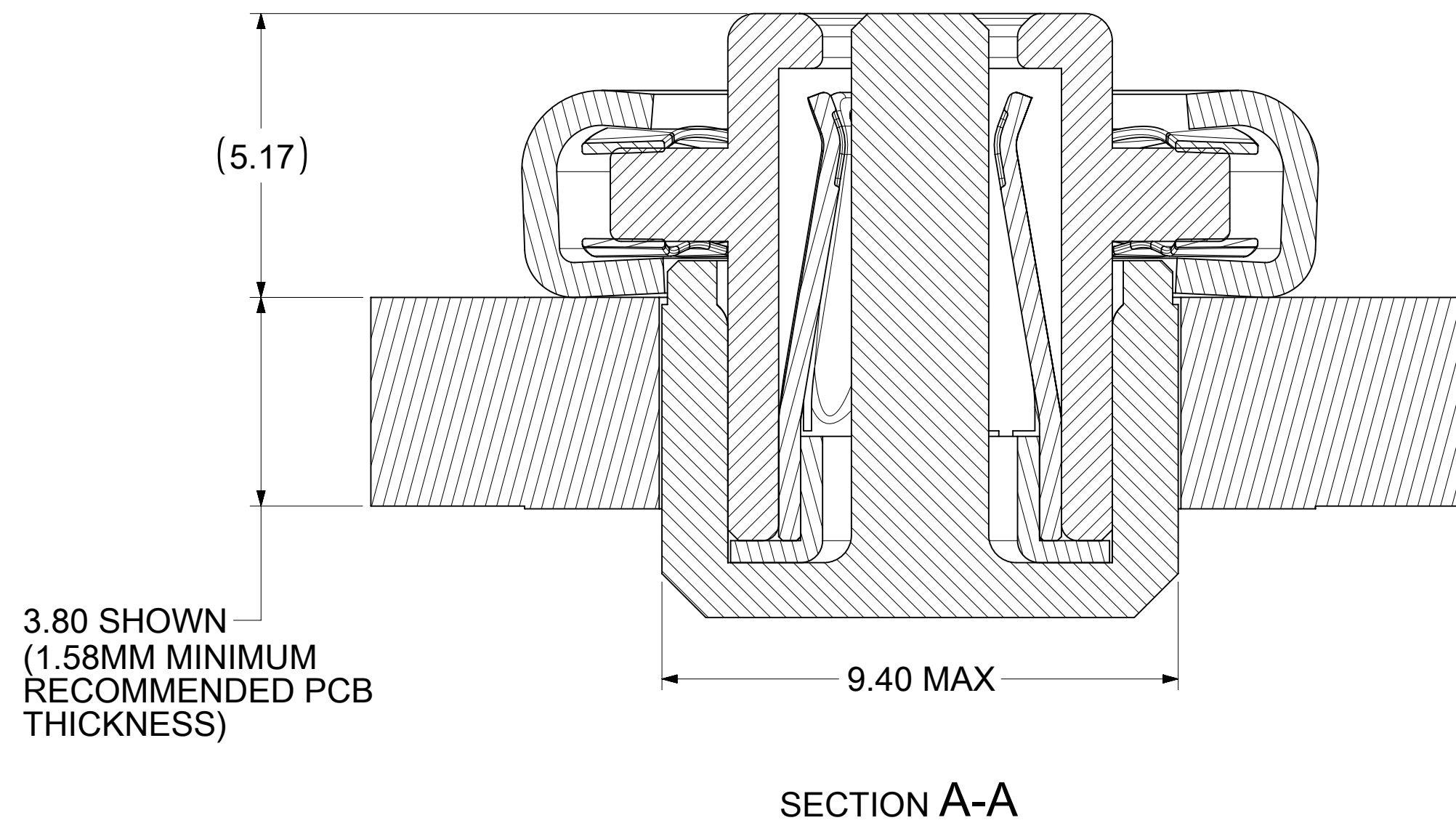


REMOVABLE PICK AND PLACE CAP SHOWN



NOTES:

1. MATERIALS:  
 RETENTION CAP: STAINLESS STEEL  
 PICK AND PLACE CAP: LCP UL94, V-0 COLOR BLACK  
 BASE METAL: HIGH CONDUCTIVE COPPER ALLOY  
 PLATING ON CONTACTS: 0.75 MICRON MIN GOLD OVER 1.27 MICRON MIN NICKEL  
 PLATING ON BODY: 3.18 MICRON MIN SILVER OVER 1.27 MICRON MIN NICKEL
2. MATES WITH THE STANDARD PIN DRAWINGS:
  - i. 3.4MM SMT DRAWING 2032631134-SD, MIN. MATE DISTANCE 7.92
  - ii. 3.4MM PRESS FIT DRAWING 2032630034-SD, MIN. MATE DISTANCE 7.67MM
  - iii. 3.4MM SCREW MOUNT DRAWING 2032634185-SD, MIN. MATE DISTANCE 10.67MM
3. PRODUCT SPECIFICATION: 2043130018-PS
4. APPLICATION SPECIFICATION: 2043130018-AS
5. PACKAGING SPECIFICATION: 2121950018-PK
6. SILVER COMPONENTS WILL BE SUPPLIED TARNISH FREE BUT MAY TARNISH OVER TIME.
7. PICK AND PLACE CAP TO BE REMOVED AFTER SOLDERING. CAP TO BE PUSHED OUT OF BOTTOM FROM THE TOP.
8. DATE CODE TO BE LASER MARKED APPROXIMATELY WHERE SHOWN USING DDDYY FORMAT



THIS DRAWING CONTAINS INFORMATION THAT IS PROPRIETARY TO MOLEX ELECTRONIC TECHNOLOGIES, LLC AND SHOULD NOT BE USED WITHOUT WRITTEN PERMISSION													
DIMENSION UNITS: mm		SCALE: NTS		CURRENT REV DESC: UPDATED THE TITLE BLOCK									
GENERAL TOLERANCES (UNLESS SPECIFIED)				<b>molex</b> 3.4MM SENTRALITY TOP ENTRY SMT SOCKET WITH FLOAT IN T&R PRODUCT CUSTOMER DRAWING									
ANGULAR TOL ± 0.5°													
4 PLACES ±		EC NO: 747243								DRWN: SOURAJ		2023/04/19	
3 PLACES ±		CHK'D: SCS02								2023/04/25			
2 PLACES ± 0.15		APPR: HTHYAGARAJ								2023/04/26			
1 PLACE ± 0.25		INITIAL REVISION:		DRWN: RLOW		2019/05/16							
0 PLACES ±		APPR: BPISZCZOR		2019/05/30									
DRAFT WHERE APPLICABLE MUST REMAIN WITHIN DIMENSIONS			THIRD ANGLE PROJECTION		DRAWING: D-SIZE		SERIES: 212195		MATERIAL NUMBER: 2121950018				
					CUSTOMER: GENERAL MARKET		SHEET NUMBER: 1 OF 1						