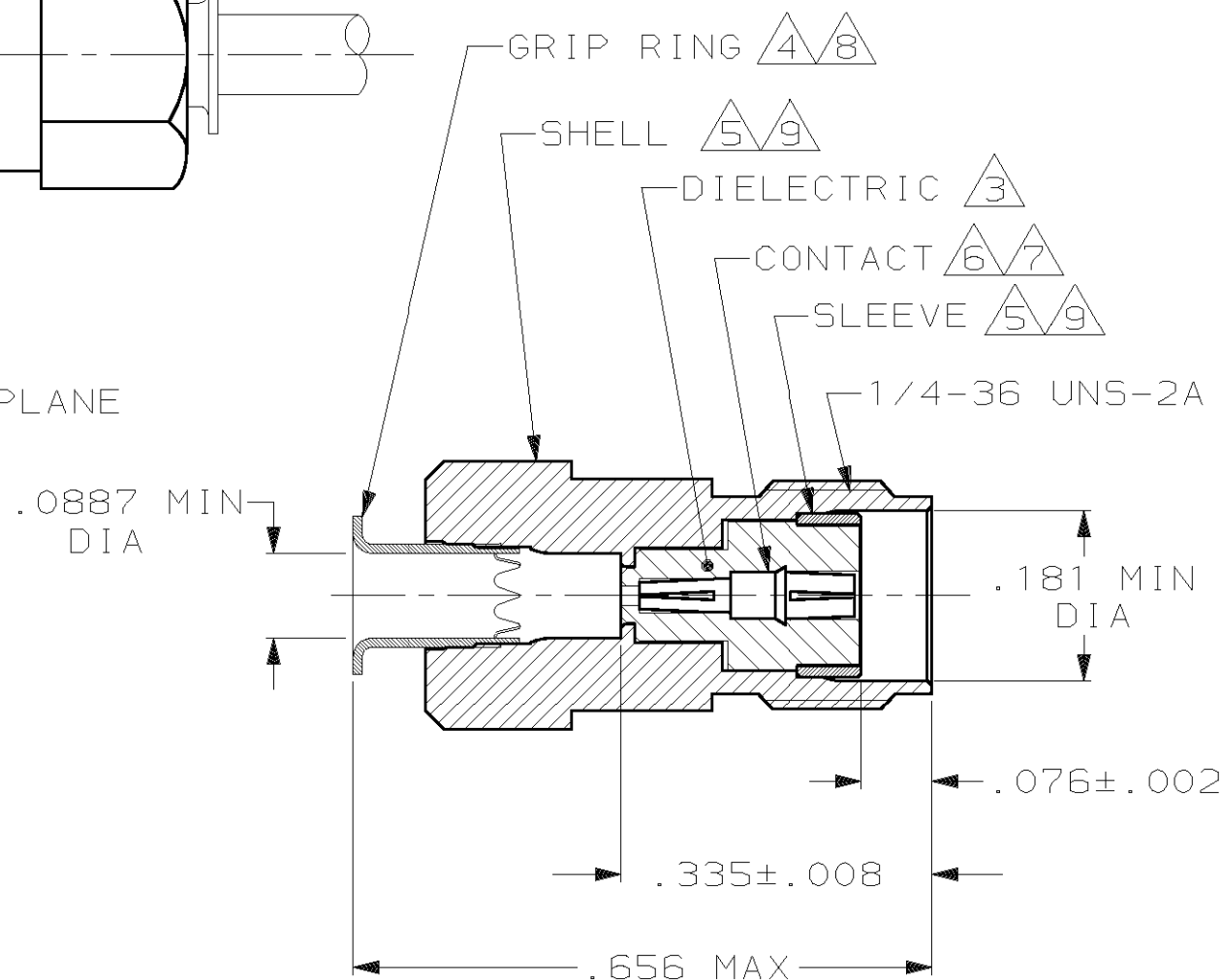
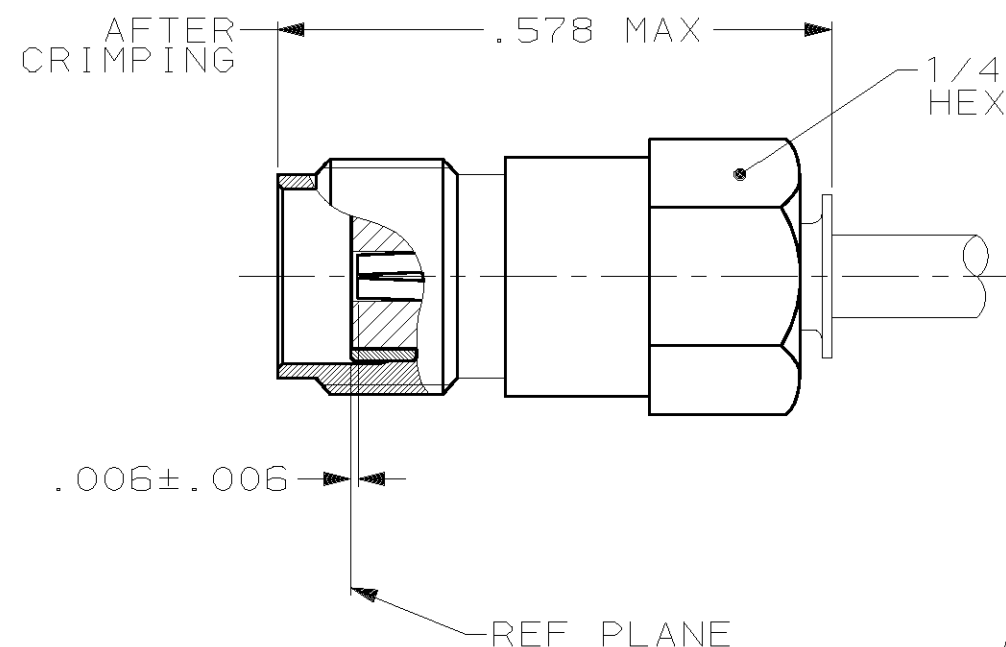


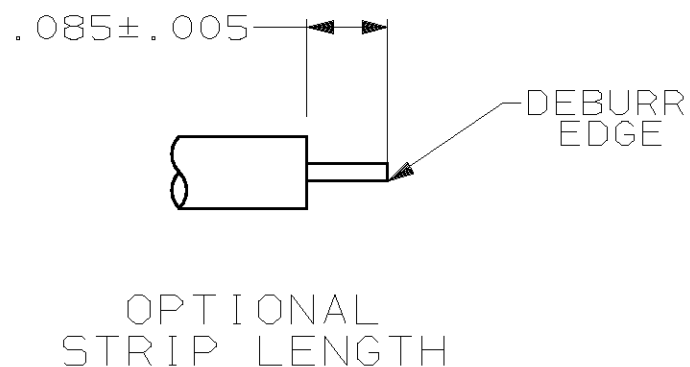
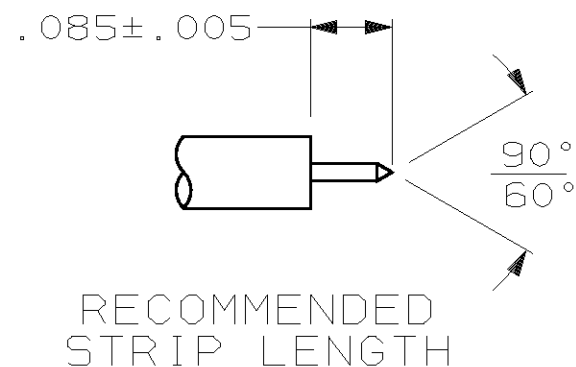
THIS DRAWING IS UNPUBLISHED. RELEASED FOR PUBLICATION ,19 .
 © COPYRIGHT 19 BY AMP INCORPORATED, HARRISBURG, PA. ALL INTERNATIONAL RIGHTS RESERVED. AMP PRODUCTS MAY BE COVERED BY U.S. AND FOREIGN PATENTS AND/OR PATENTS PENDING.

LOC AJ DIST 16

REVISIONS				
ZONE	LTR	DESCRIPTION	DATE	APPROVED
	D	REV PER 0U20-0173-00	07JUN00	MO



- FOR USE WITH: RG-405/U, .086 SEMI-RIGID CABLE
- SEE I.S. 6788
- PTFE PER MIL-P-19468
- BRASS PER MIL-C-50
- STAINLESS STEEL PER ASTM-A-582
- BERYLLIUM COPPER PER QQ-C-530
- GOLD PL PER MIL-G-45204
- NICKEL PL PER QQ-N-290
- PASSIVATION PER QQ-P-35
- .500 MIN LENGTH OF STRAIGHT CABLE REQUIRED TO APPLY THE CONNECTOR



228640-1

PART NO

UNLESS OTHERWISE SPECIFIED DIMENSIONS ARE IN INCHES TOLERANCES ON: 2 PL DEC ± _____ 3 PL DEC ± _____ ANGLES ± _____	DR M. SNEED	3-17-87
	CHK D. HEIDE	3-17-87
MATERIAL 3 THRU 6	APPD M. WALMSLEY	3-17-87
	APPD M. SNEED	3-17-87
FINISH 7 THRU 9	PRODUCT SPEC	108-12055
	APPLICATION SPEC	
	WEIGHT	

AMP AMP INCORPORATED Harrisburg, Pa. 17105		
NAME JACK, SERIES SMA		
SIZE B	FSCM NO 00779	DRAWING NO 228640-1
SCALE 5:1	SHEET 1 OF 1	