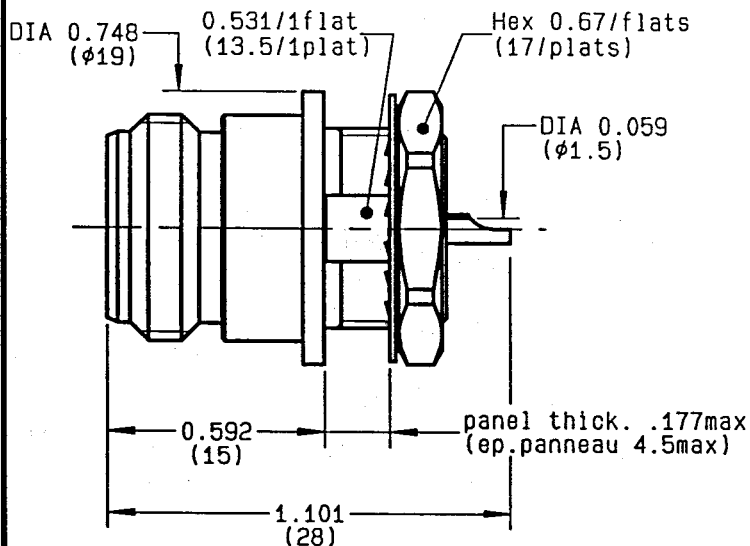


**BULKHEAD RECEPTACLE
FRONT MONTED**

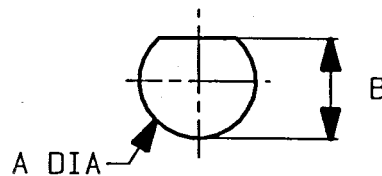
R162.570.000

SERIES

N 75



PERCAGE PANNEAU
MOUNTING HOLE



	MM		INCH	
	maxi	mini	maxi	mini
A	14.3	14.1	0.563	0.56
B	13.8	13.6	0.543	0.535

NOMINAL IMPEDANCE	75 Ω
FREQUENCY RANGE	0-1.5 GHz
TEMPERATURE RATING	-55/+155 °C
V.S.W.R	NA + x F(GHz)Maxi
RF INSERTION LOSS	NA √F(GHz) dB Maxi
VOLTAGE RATING	850 Veff Maxi
DIELECTRIC WITHSTANDING VOLTAGE	2500 Veff Mini
INSULATION RESISTANCE	5000 M ΩMini
HERMETIC SEAL	NA Atm.cm ³ /s
LEAKAGE (pressurized only)	NA
MECHANICAL DURABILITY	500 Cycles
WEIGHT	gr
SPECIFICATION	

CABLES :

OTHERS CHARACTERISTICS

CABLE RETENTION	NA	N Mini
CENTER CONTACT RETENTION		
Axial force - mating end	27	N Mini
Axial force - opposite end	27	N Mini
Torque	NA	cm.N Mini
RECOMMENDED TORQUES		
Mating	NA	cm.N
Panel nut	250	cm.N
Clamp nut	NA	cm.N

CONNECTOR PARTS: MATERIALS

BODY	BRASS
OUTER CONTACT	BRASS
CENTER CONTACT	BERYLLIUM COPPER
INSULATOR	PTFE
GASKET	
OTHERS PIECES	BRASS

FINISH

(all values are given in micrometers)

BBR 2
BBR 2
GOLD 0.5 OVER NICKEL 2
-
-
BBR 2

ISSUE	CREATION DATE	FILE PART-NUMBER
9733G00	26-OCT-93	



RADIALL®

The information given here is subject to change without notice. Design changes may be in order to improve the product.

Connect to the future