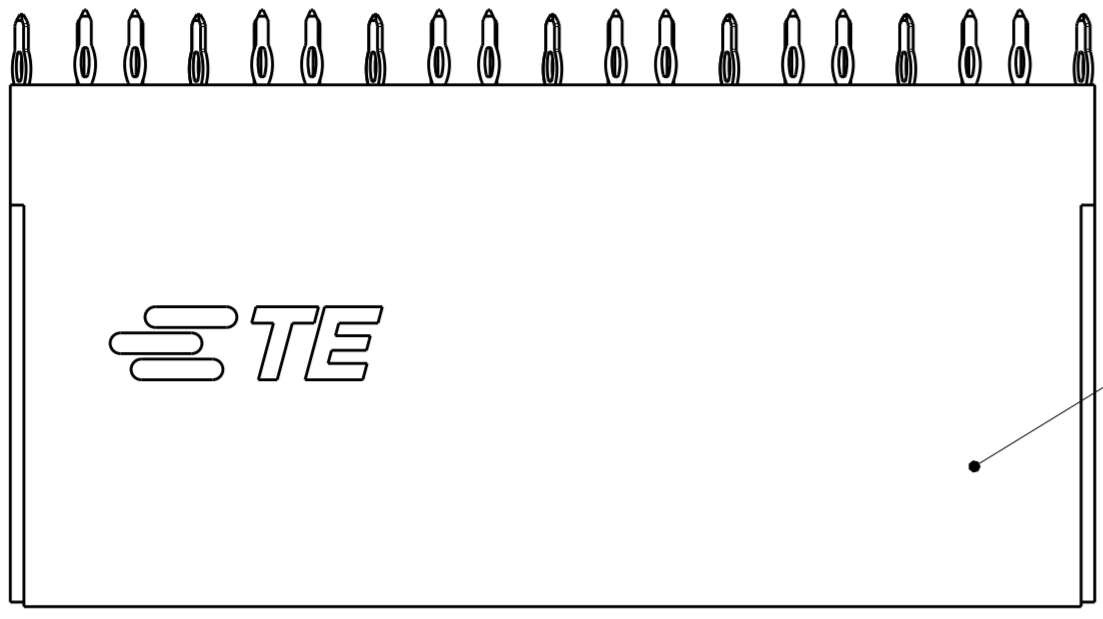


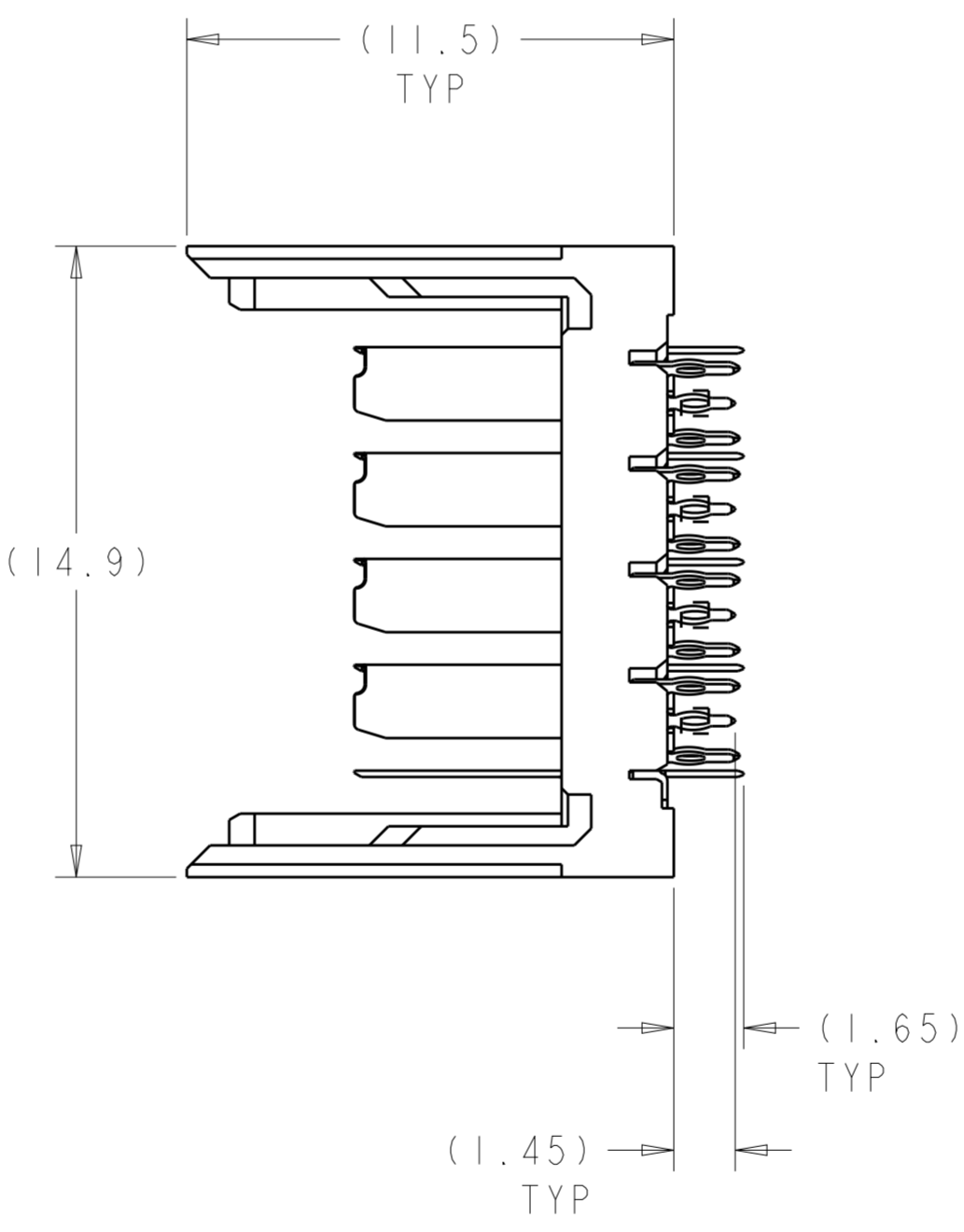
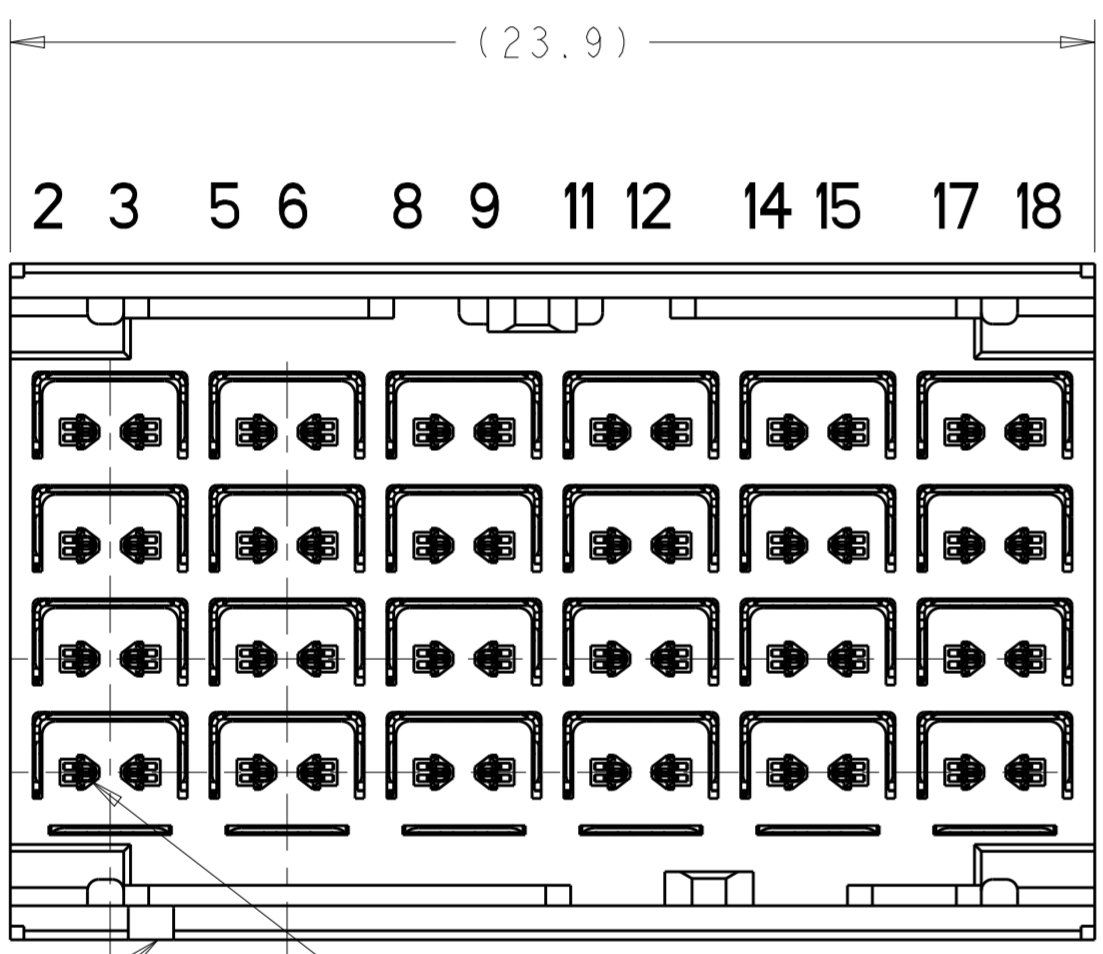
THIS DRAWING IS UNPUBLISHED. RELEASED FOR PUBLICATION 2015
 © COPYRIGHT 2015 BY TE CONNECTIVITY ALL RIGHTS RESERVED.

REVISIONS				
P	LTR	DESCRIPTION	DATE	APVD
A		INITIAL RELEASE	26FEB2019	AP RP



6

- 1 MATERIAL:
HOUSING: THERMOPLASTIC, UL 94V-0, BLACK
CONTACTS AND SHIELDS: COPPER ALLOY
- 2 FINISH:
- CONFORMS TO THE REQUIREMENTS OF TE PRODUCT SPECIFICATION 108-32021 BASED ON TELCORDIA GR-1217-CORE FOR SYSTEM QUALITY LEVEL III, APPLICATIONS IN CONTROLLED ENVIRONMENTS (CENTRAL OFFICE).
- COMPLIANT PIN AREA: 0.5µm MIN MATTE TIN.
- 3 SIGNAL PLATED THRU HOLE REQUIREMENTS:
FINISHED HOLE = $\varnothing 0.34 \pm 0.05$
HOLE SIZE PRIOR TO PLATING = $\varnothing 0.420 \pm 0.025$
COPPER THICKNESS = 0.025 MIN
IMMERSION TIN IF APPLICABLE = (0.00095)
- 4 GROUND AND SI VIA PLATED THRU HOLE REQUIREMENTS:
FINISHED HOLE = $\varnothing 0.37 \pm 0.05$
HOLE SIZE PRIOR TO PLATING = $\varnothing 0.450 \pm 0.025$
COPPER THICKNESS = 0.025 MIN
IMMERSION TIN IF APPLICABLE = (0.00095)
- 5 PTH DIMENSIONS APPLY TO THE TOP 1.00mm OF THE PCB THICKNESS FROM THE CONNECTOR MOUNTING SIDE.
- 6 CONNECTOR MARKED WITH PART NUMBER, DATE CODE, AND "92 OHM" IN APPROXIMATE AREA SHOWN.
- 7 DATUMS AND BASIC DIMENSIONS ESTABLISHED BY CUSTOMER.
- 8. CONTACT PRODUCT ENGINEERING FOR LAYOUTS WHEN STACKING CONNECTORS.
- 9 APPLIES TO FINISHED HOLE DIAMETER.



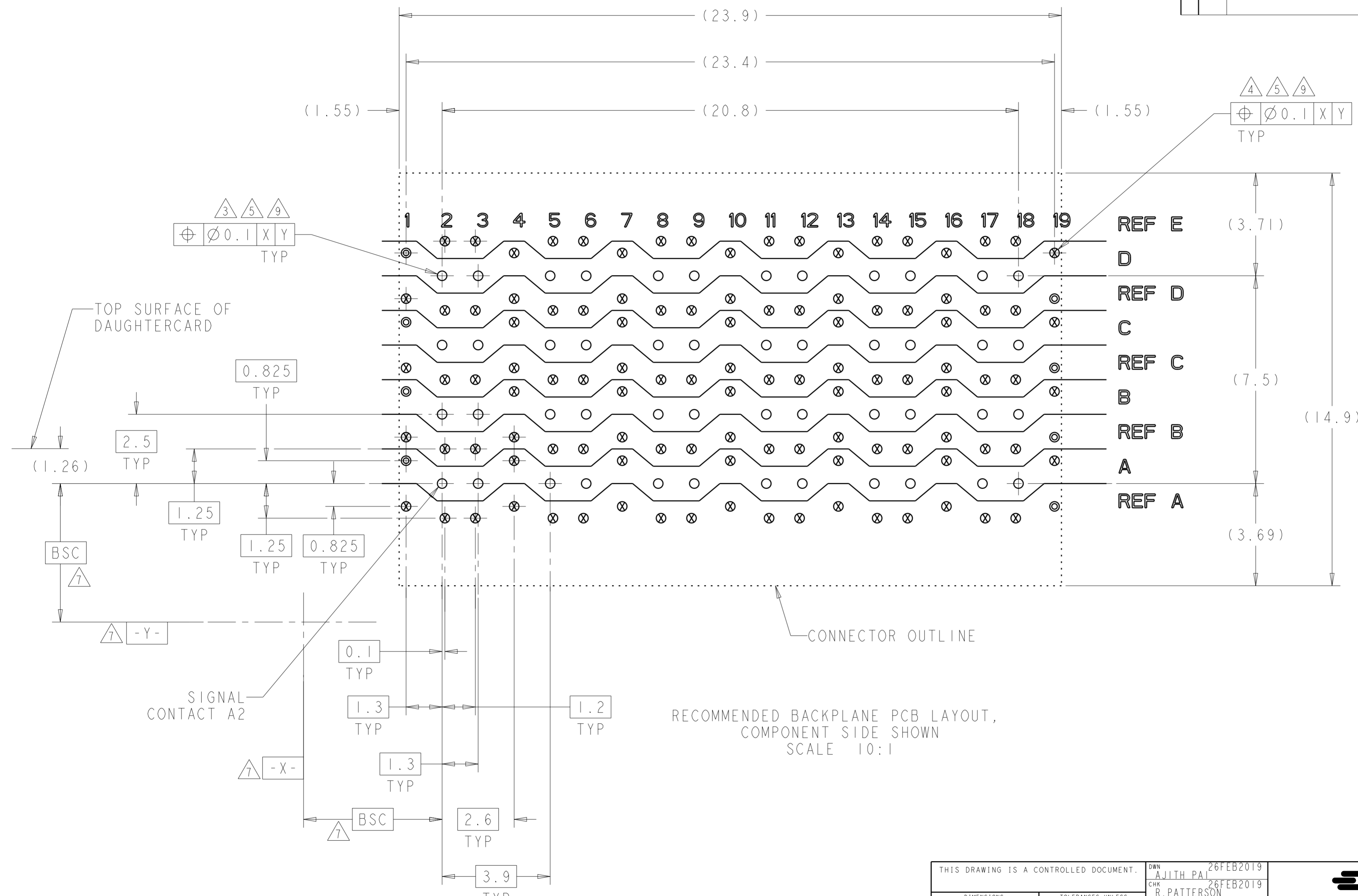
(3.9) TYP
 SIGNAL CONTACT A2
 POSITION A1 CORNER INDICATOR

2187726-1
 PART NO

THIS DRAWING IS A CONTROLLED DOCUMENT.		DWN 26FEB2019 AJITH PAI	TE Connectivity	
DIMENSIONS: mm		CHK 26FEB2019 R. PATTERSON		
TOLERANCES UNLESS OTHERWISE SPECIFIED:		APVD 26FEB2019 R. PATTERSON	NAME	
0 PLC ±	1 PLC ±	PRODUCT SPEC	HEADER ASSEMBLY, 4 PAIR 6 COLUMN, OPEN ENDED, BACKPLANE, 92 OHM, PAIR-IN-ROW, STRADA WHISPER	
2 PLC ±	3 PLC ±	APPLICATION SPEC	SIZE	CAGE CODE
4 PLC ±	ANGLES ±	114-32029	A2	00779
MATERIAL	FINISH	WEIGHT	DRAWING NO	RESTRICTED TO
material_2	finish_spec_2	-	C-2187726	
CUSTOMER DRAWING			SCALE 6:1	SHEET 1 OF 2

THIS DRAWING IS UNPUBLISHED. RELEASED FOR PUBLICATION 2015
 © COPYRIGHT 2015 BY TE CONNECTIVITY ALL RIGHTS RESERVED.

REVISIONS				
P	LTR	DESCRIPTION	DATE	APVD
-	-	SEE SHEET 1	-	-



3 5 9
 ⊕ ∅0.1 X Y
 TYP

4 5 9
 ⊕ ∅0.1 X Y
 TYP

BSC
 7

1.25
 TYP

1.25
 TYP

0.825
 TYP

0.1
 TYP

1.3
 TYP

1.2
 TYP

1.3
 TYP

BSC
 7

2.6
 TYP

3.9
 TYP

RECOMMENDED BACKPLANE PCB LAYOUT,
 COMPONENT SIDE SHOWN
 SCALE 10:1

- = SIGNAL
- ⊗ = GROUND
- ⊙ = SIGNAL INTEGRITY VIA TO GROUND

THIS DRAWING IS A CONTROLLED DOCUMENT.		DWN 26FEB2019 AJLTH PAL	 TE Connectivity
DIMENSIONS: mm		CHK 26FEB2019 R PATTERSON	
TOLERANCES UNLESS OTHERWISE SPECIFIED:		APVD 26FEB2019 R PATTERSON	NAME HEADER ASSEMBLY, 4 PAIR 6 COLUMN, OPEN ENDED, BACKPLANE, 92 OHM, PAIR-IN-ROW, STRADA WHISPER
0 PLC ±	1 PLC ±	PRODUCT SPEC 108-32021	SIZE A2
2 PLC ±	3 PLC ±	APPLICATION SPEC 114-32029	CAGE CODE 00779
4 PLC ±	ANGLES ±	WEIGHT	DRAWING NO C-2187726
MATERIAL material_2	FINISH finish_spec_2	CUSTOMER DRAWING	RESTRICTED TO
SCALE 6:1		SHEET 2 OF 2	REV A