

TABLE OF CONTENTS	
SHEET NO.	SHEET DESCRIPTION
1	NOTES AND BOM
2	1X2 AND 1X3 CONFIGURATIONS
3	1X4 AND 1X6 CONFIGURATIONS
4	CONVOLUTE INTERFACE/BACKSHELL DETAIL

BILL OF MATERIALS(BOM)							
DESCRIPTION	PART NUMBER	CIRCUIT SIZE	CONVOLUTE SIZE	DIRECTION TYPE	CABLE TIE ACCESS	STATUS	MATING ASSEMBLY DRAWING
1X2 WIRE DRESS TYPE 1	160091-2010	1X2	NW 4.5	1	NO	SALEABLE	SD-34900-2001
1X2 WIRE DRESS TYPE 2	160091-2110	1X2	NW 4.5	2	NO	SALEABLE	SD-34900-2001
1X2 WIRE DRESS TYPE 3	160091-2210	1X2	NW 4.5	3	NO	SALEABLE	SD-34900-2001
1X3 WIRE DRESS TYPE 1	160091-3010	1X3	NW 4.5	1	NO	SALEABLE	SD-34900-2001
1X3 WIRE DRESS TYPE 2	160091-3110	1X3	NW 4.5	2	NO	SALEABLE	SD-34900-2001
1X3 WIRE DRESS TYPE 3	160091-3210	1X3	NW 4.5	3	NO	SALEABLE	SD-34900-2001
1X4 WIRE DRESS TYPE 1, CABLE TIE ACCESS	160091-4020	1X4	NW 7.5	1	YES	SALEABLE	SD-34900-6001
1X4 WIRE DRESS TYPE 2, CABLE TIE ACCESS	160091-4120	1X4	NW 7.5	2	YES	SALEABLE	SD-34900-6001
1X4 WIRE DRESS TYPE 3, CABLE TIE ACCESS	160091-4220	1X4	NW 7.5	3	YES	SALEABLE	SD-34900-6001
1X6 WIRE DRESS TYPE 1, CABLE TIE ACCESS	160091-6020	1X6	NW 7.5	1	YES	SALEABLE	SD-34900-6001
1X6 WIRE DRESS TYPE 2, CABLE TIE ACCESS	160091-6120	1X6	NW 7.5	2	YES	SALEABLE	SD-34900-6001
1X6 WIRE DRESS TYPE 3, CABLE TIE ACCESS	160091-6220	1X6	NW 7.5	3	YES	SALEABLE	SD-34900-6001

BACKSHELL NOTES: VALID UNLESS OTHERWISE SPECIFIED

1. GENERAL:

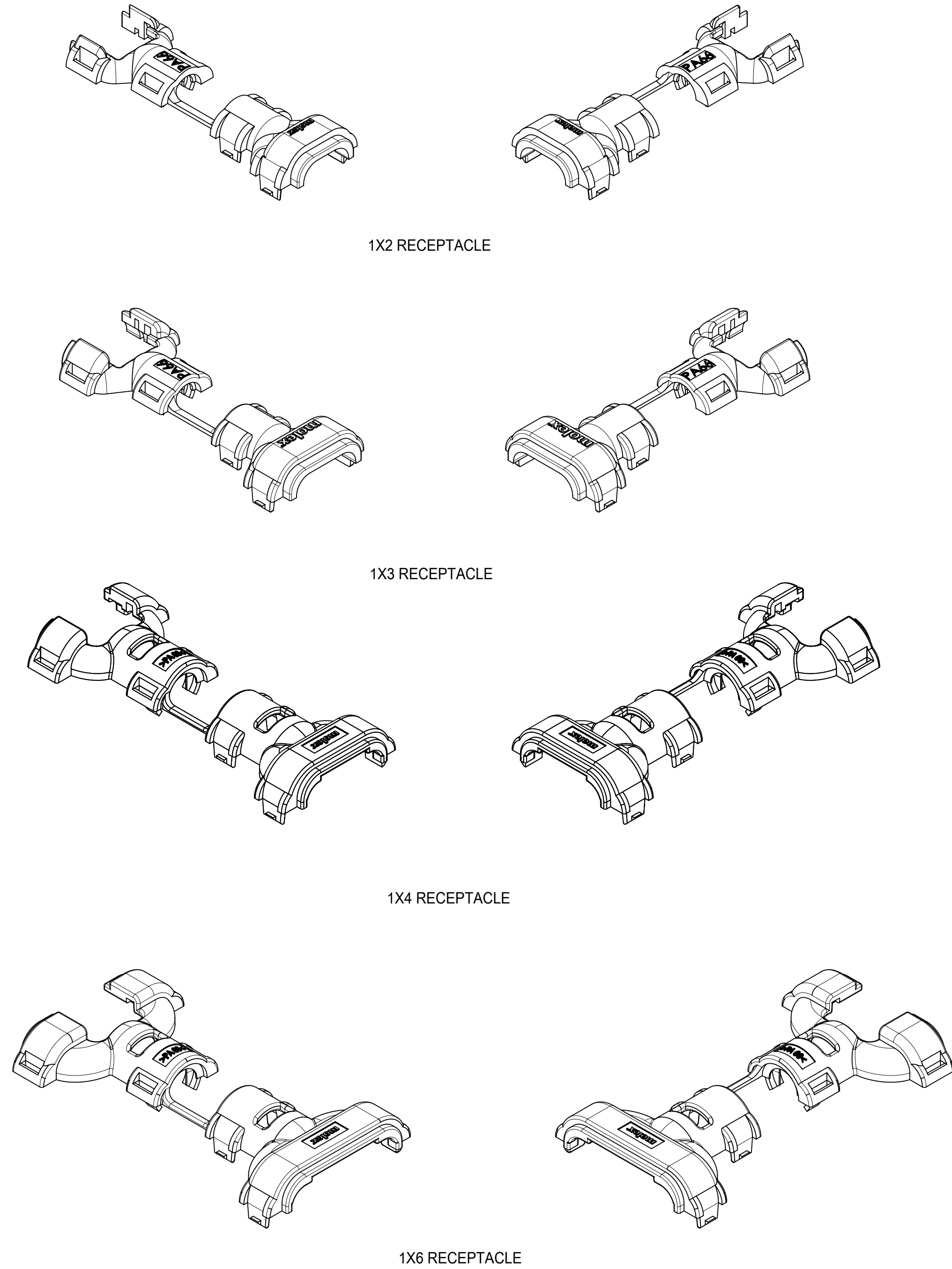
- a. APPLICATION SPECIFICATION SEE: AS-34900-0001
 - DESIGNED TO MATE WITH RECEPTACLE SEALED ASSEMBLY AS SPECIFIED IN BOM
 - COMPONENTS ARE OPTIONAL AND MUST BE PURCHASED SEPERATELY
 - BACKSHELL DESIGN IS OWNED BY SCHLEMMER
- b. PRODUCT SPECIFICATION
 - THESE PRODUCTS ARE ONE TIME USE ONLY.
 - REMOVAL FORCE OF THE BACKSHELL FROM THE MOLEX CONNECTOR TO BE 110N MIN.
 - REMOVAL FORCE OF SLIT CONVOLUTE FROM THE WIRE DRESS COVER TO BE 20 N MIN.
 - REMOVAL FORCE OF UNSLIT CONVOLUTE FROM THE WIRE DRESS COVER TO BE 20 N MIN.
- c. PACKAGING SPECIFICATION SEE PK-31302-118
- d. PARTS MUST BE IN COMPLIANCE TO MOLEX CHEMICAL SUBSTANCES FOR PRODUCTS AND PACKAGING SPECIFICATION: QEHS-699000-300
- e. DATA MUST BE SUBMITTED UNDER THE MOLEX PART NUMBER TO IMDS (COMPANY ID#13255)
- f. FOLLOWING PRODUCTION CODES TO BE PRESENT
 - DATE CODE
 - MOLD CAVITY CODE
 - CONVOLUTE SIZE
 - MOLEX LOGO
 - MATERIAL
 - SUPPLIER PART NUMBER

3. DESIGN GEOMETRY:

- a. THIS IS A 100% CAD GENERATED PART. THE CAD MATHEMATICAL DATA IS THE MASTER FOR THIS PART. FOR DIMENSIONAL OR ANY INFORMATION NOT SHOWN ON THIS DRAWING, ANALYZE THE CAD MODEL.
- b. GEOMETRIC DIMENSIONS AND TOLERANCES PER ASME Y14.5M - 2009
- c. CORNERS SHOWN AS SHARP TO BE R 0.1.
- d. VISUAL DEFECTS SHALL MEET COSMETIC STANDARD PS-45499-002 (CLASS B).
- e. DRAFT OF 2° PRESENT.
- f. ALLOWABLE FLASH, PARTING LINES MISMATCH, EJECTOR PINS MARK, AND GATE VESTIGE TO BE +0.30 MAX PROTUSION.

2. DESIGN - MATERIALS:

- a. PA66 0% GLASS FILLED
- b. BLACK

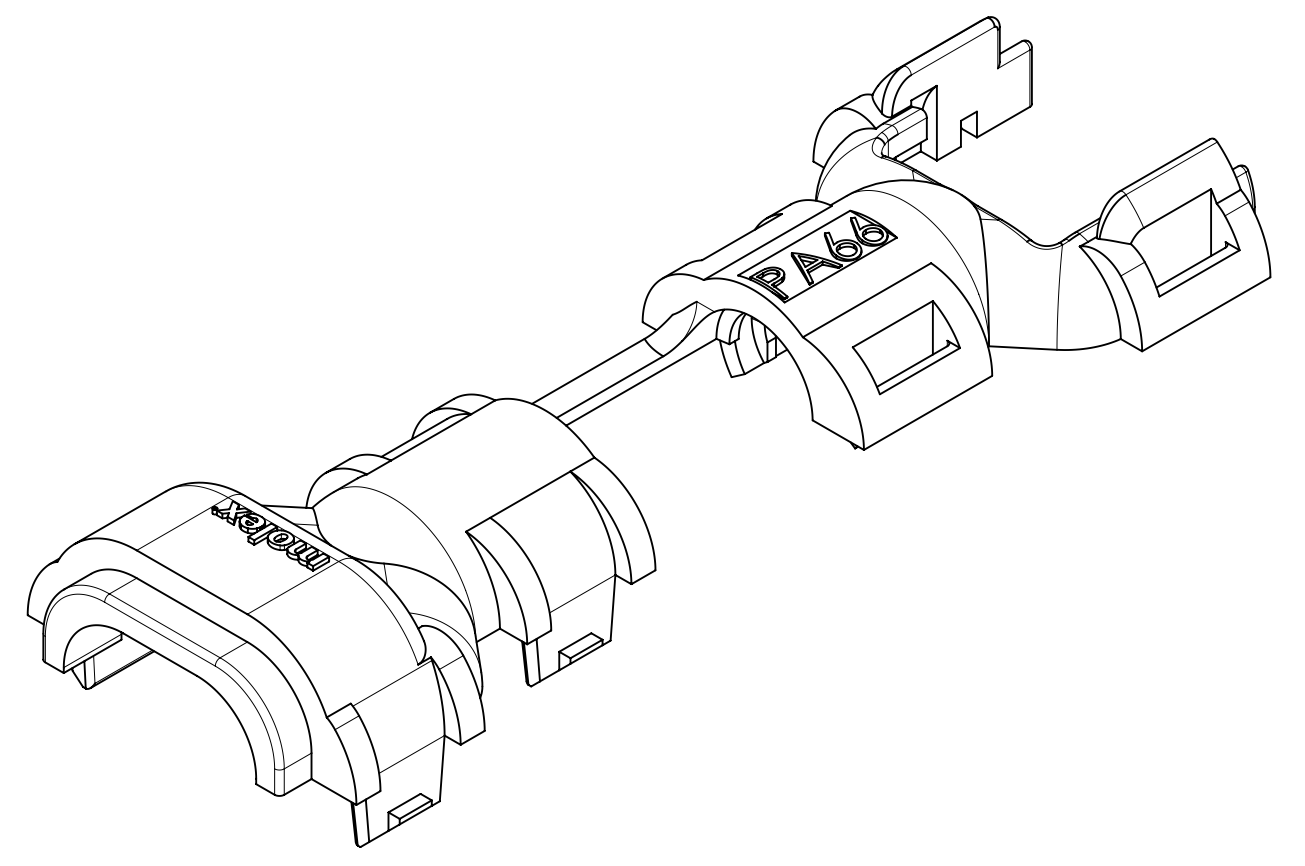


C	MIGRATED TO NX, BALLOON NUMBERS ADDED
B	1X4 / 1X6 COVERS MADE SALEABLE
1	INITIAL RELEASE
REV	DESCRIPTION

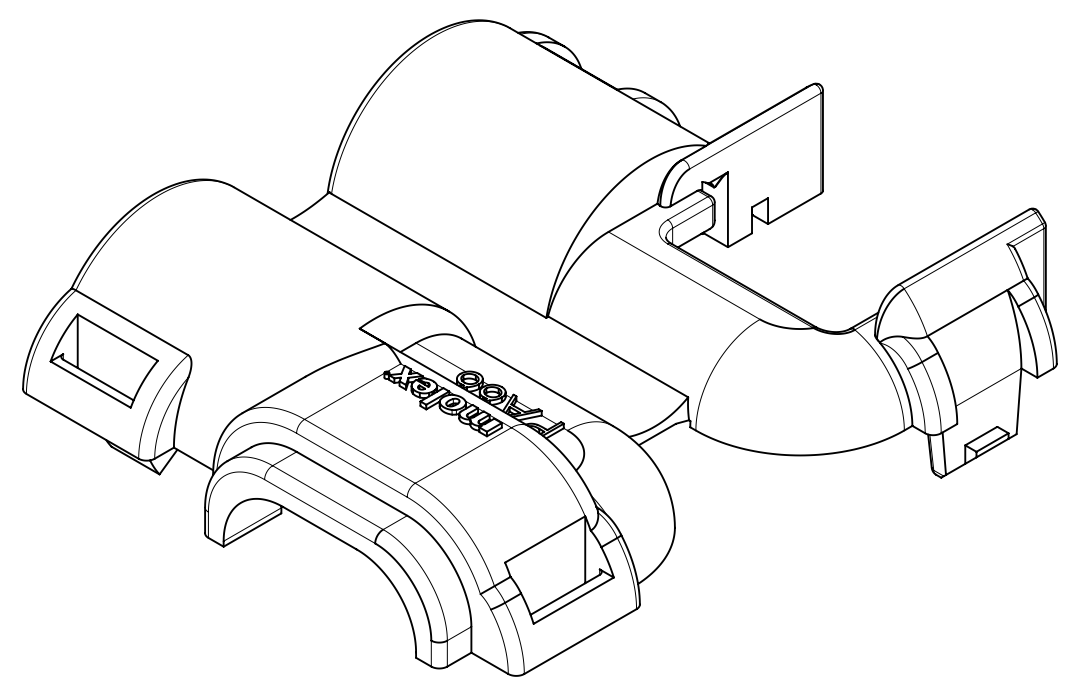
FUNCTIONAL SYMBOLS	THIS DRAWING CONTAINS INFORMATION THAT IS PROPRIETARY TO MOLEX ELECTRONIC TECHNOLOGIES, LLC AND SHOULD NOT BE USED WITHOUT WRITTEN PERMISSION		CURRENT REV DESC: MIGRATED TO NX, BALLOON NUMBERS ADDED	
	FA = 0	mm	SCALE	1.5:1
DIVISIONAL SYMBOLS	GENERAL TOLERANCES (UNLESS SPECIFIED)		EC NO: 634349	
	FC = 0	ANGULAR TOL ± 3.0°	DRWN: VRAMAKANTALA	2020/03/17
DIVISIONAL SYMBOLS	FD = 0	4 PLACES ±	CHK'D: MVANSLAMBROU	2020/03/21
		3 PLACES ±	APPR: MVANSLAMBROU	2020/03/21
		2 PLACES ± 0.1	INITIAL REVISION:	
		1 PLACE ± 0.3	DRWN: MVANSLAMBROU	2015/05/28
	0 PLACES ±	APPR: VKOSHY	2016/01/04	
DRAFT WHERE APPLICABLE MUST REMAIN WITHIN DIMENSIONS		THIRD ANGLE PROJECTION	DRAWING	SERIES
			D-SIZE	160091
DOCUMENT STATUS		P1	RELEASE DATE	2020/03/21 11:41:05
DOCUMENT NUMBER		DOC TYPE		DOC PART
SD-160091-0001		PSD	001	C
MATERIAL NUMBER		CUSTOMER		SHEET NUMBER
SEE BOM		GENERAL MARKET		1 OF 4

1X2 AND 1X3 CONFIGURATIONS

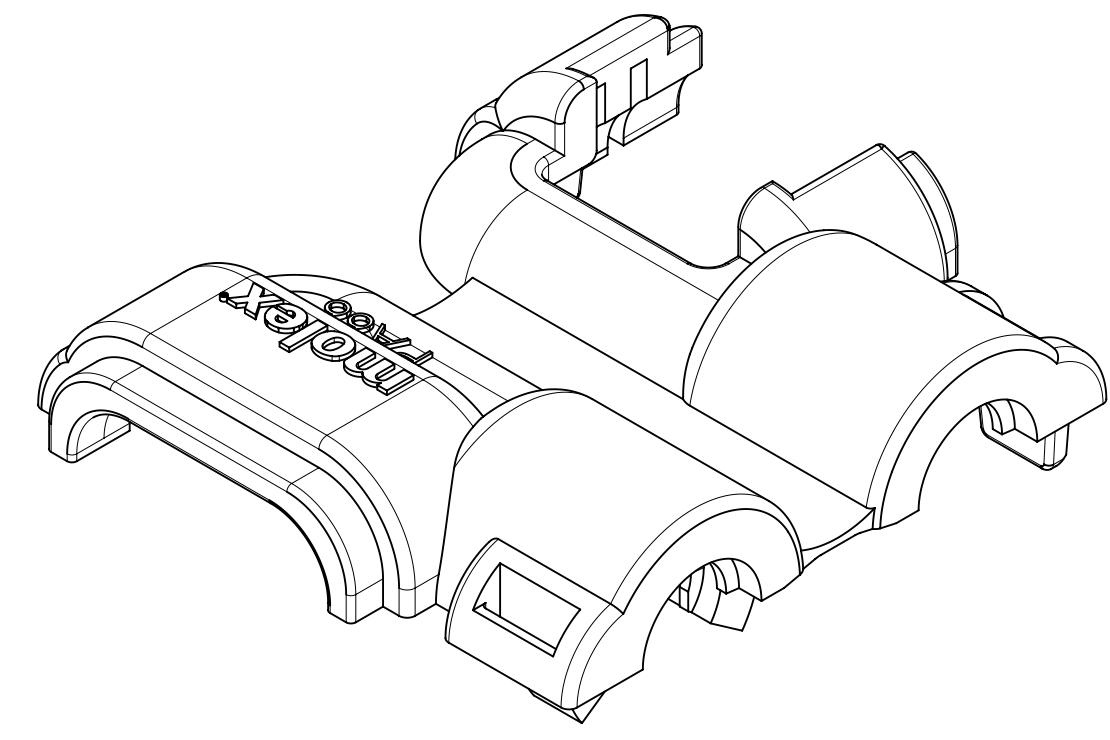
1X2 RECEPTACLE



DIRECTION TYPE 1

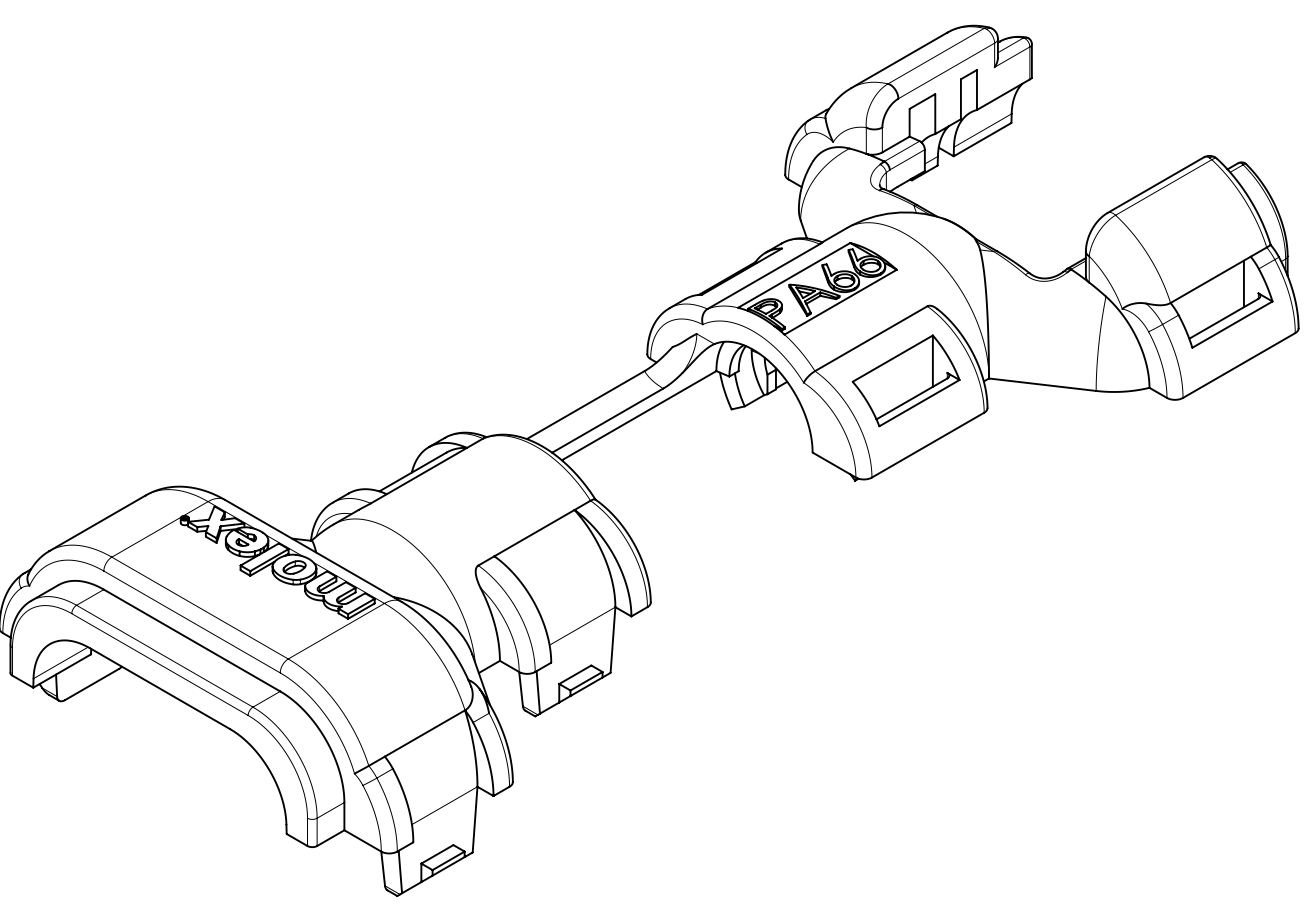


DIRECTION TYPE 2

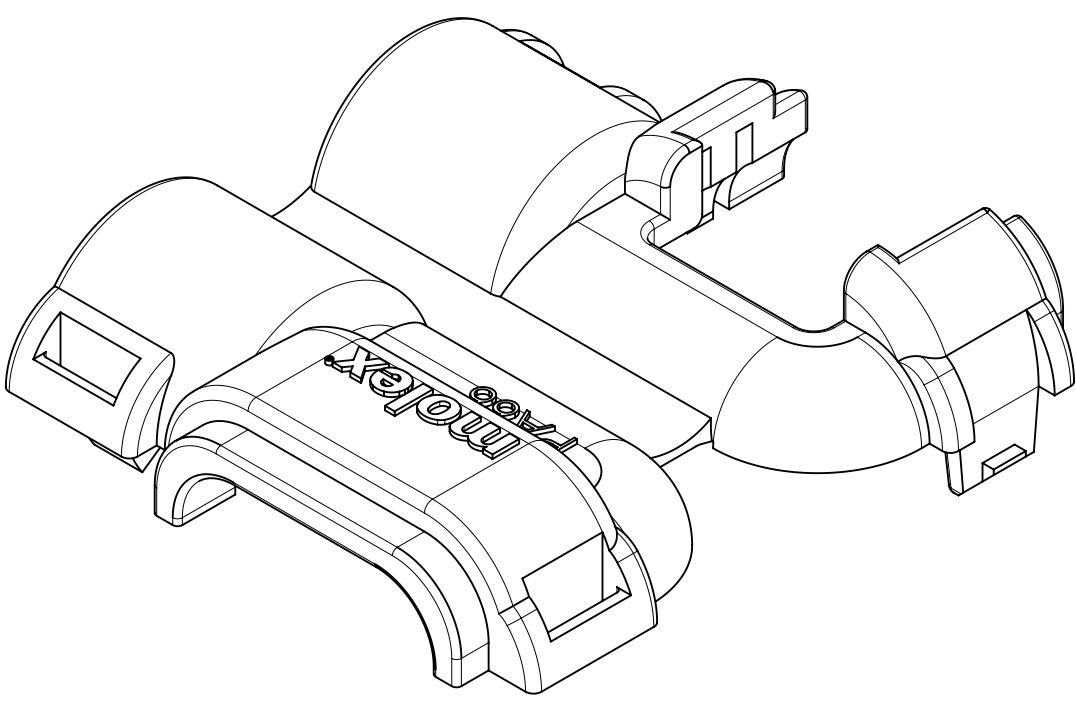


DIRECTION TYPE 3

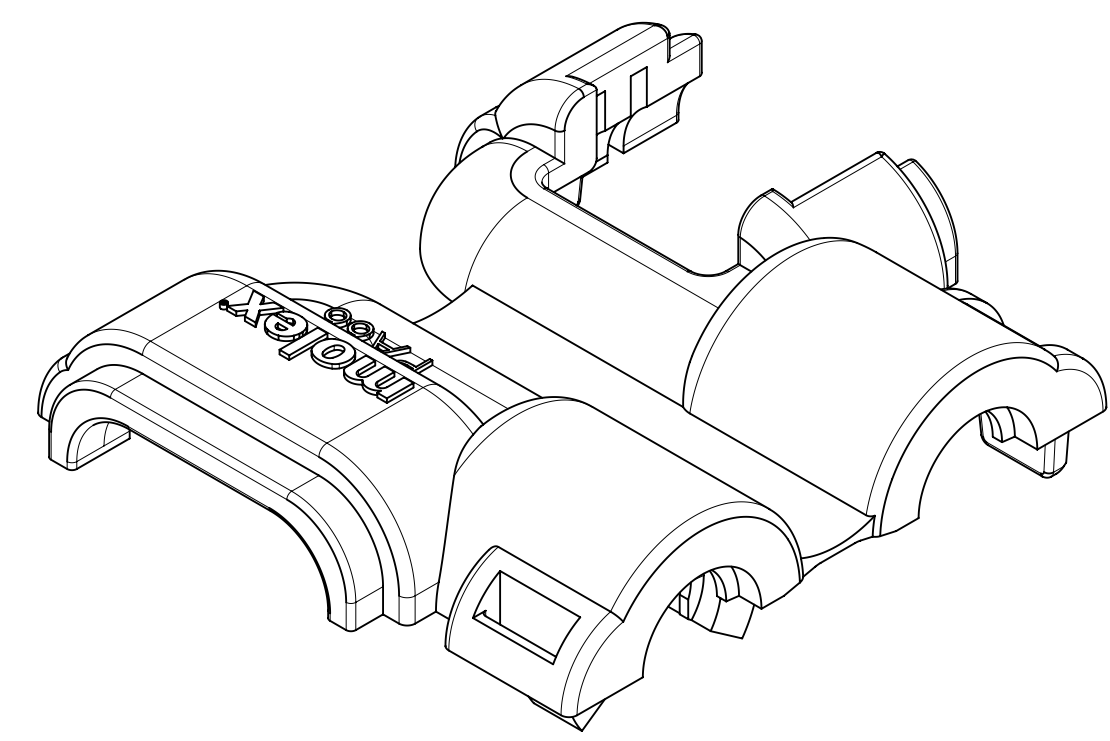
1X3 RECEPTACLE



DIRECTION TYPE 1



DIRECTION TYPE 2

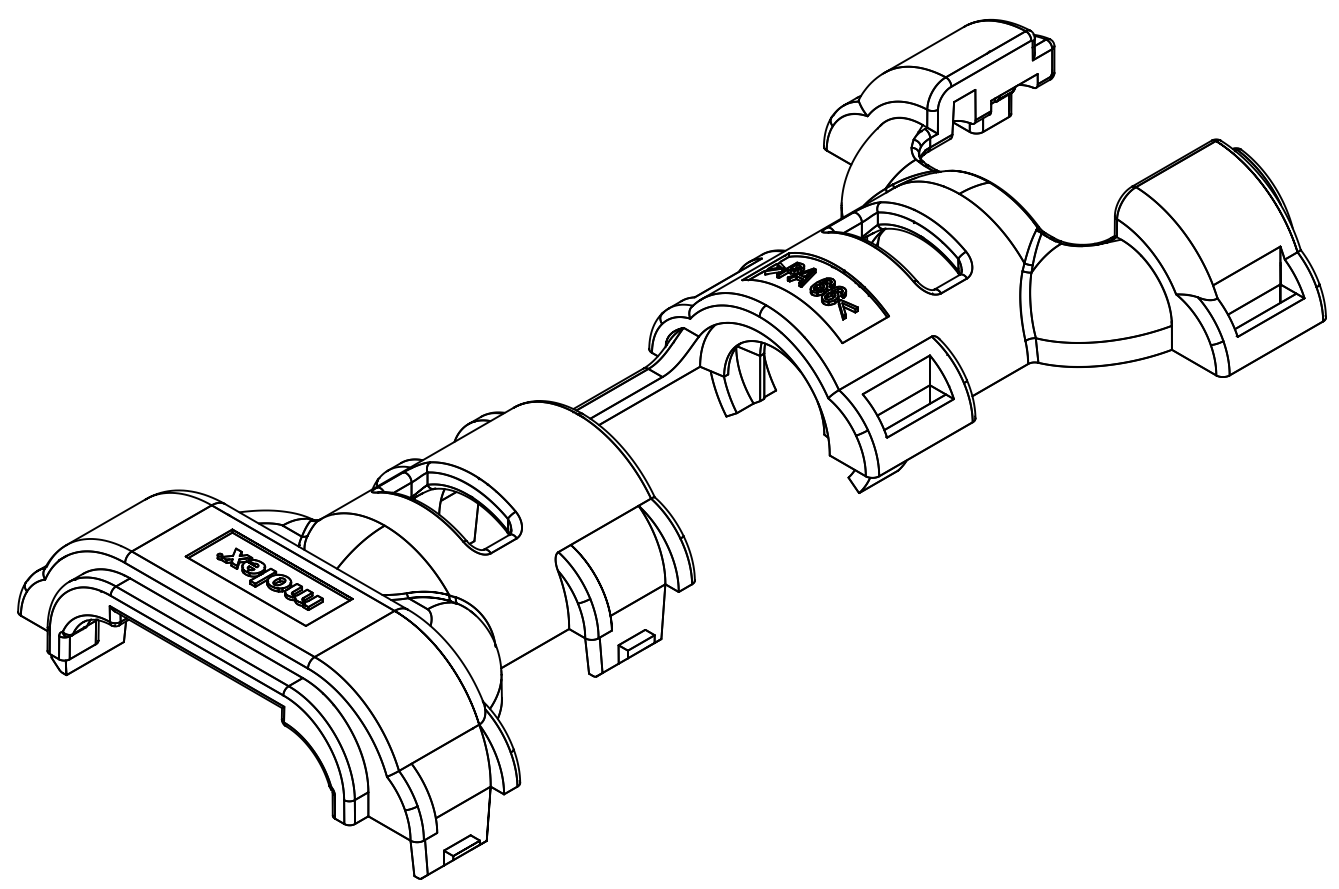


DIRECTION TYPE 3

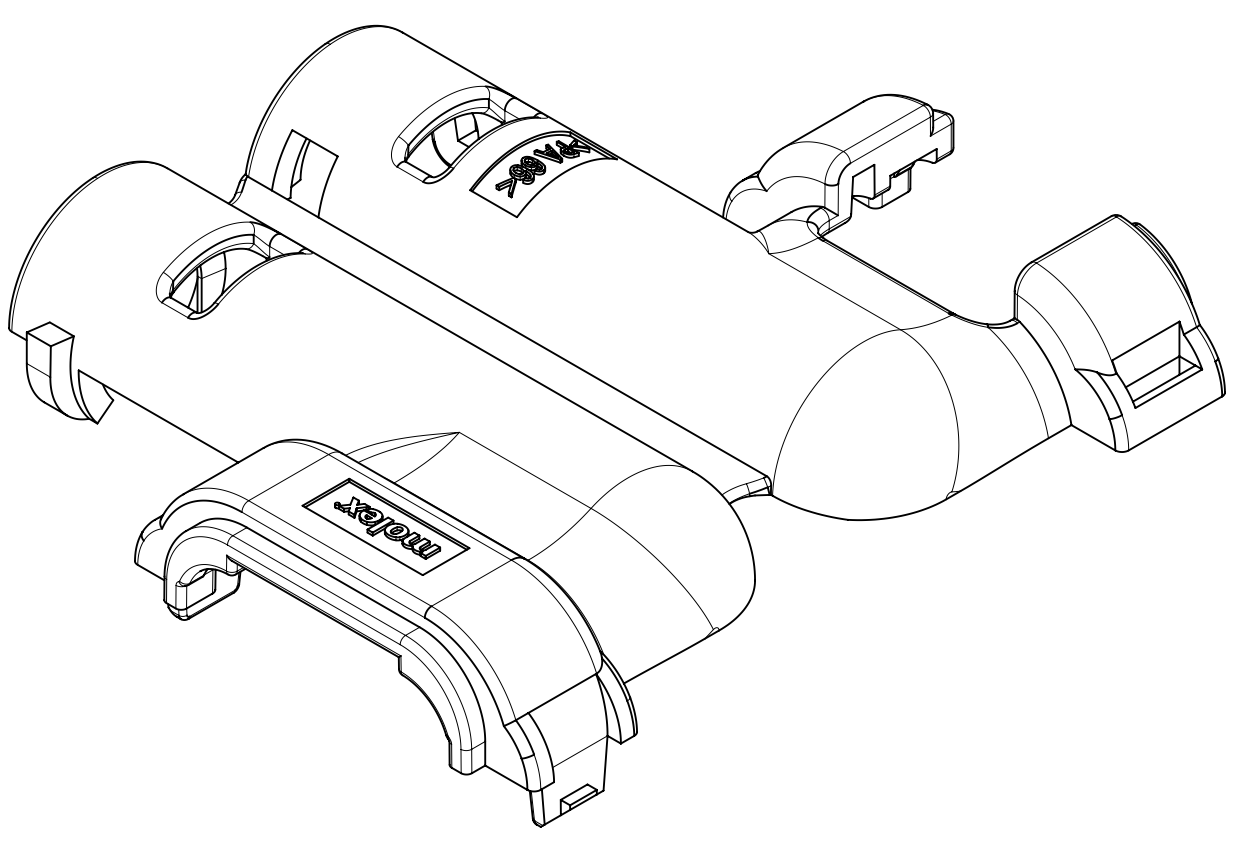
FUNCTIONAL SYMBOLS FA = 0 FC = 0 FD = 0 DIVISIONAL SYMBOLS	DIMENSION UNITS: mm SCALE: 3:1	THIS DRAWING CONTAINS INFORMATION THAT IS PROPRIETARY TO MOLEX ELECTRONIC TECHNOLOGIES, LLC AND SHOULD NOT BE USED WITHOUT WRITTEN PERMISSION CURRENT REV DESC: MIGRATED TO NX, BALLOON NUMBERS ADDED						
	GENERAL TOLERANCES (UNLESS SPECIFIED) ANGULAR TOL ± 3.0° 4 PLACES ± 3 PLACES ± 2 PLACES ± 0.1 1 PLACE ± 0.3 0 PLACES ±	EC NO: 634349 DRWN: VRAMAKANTALA 2020/03/17 CHK'D: MVANSLAMBROU 2020/03/21 APPR: MVANSLAMBROU 2020/03/21	1.2MM RECEPTACLE WDC					
DRAFT WHERE APPLICABLE MUST REMAIN WITHIN DIMENSIONS		THIRD ANGLE PROJECTION	DRAWING: D-SIZE	SERIES: 160091	DOCUMENT NUMBER: SD-160091-0001	DOC TYPE: PSD	DOC PART: 001	REVISION: C
DOCUMENT STATUS P1		RELEASE DATE 2020/03/21 11:41:05		SEE BOM		GENERAL MARKET		SHEET NUMBER 2 OF 4

1X4 AND 1X6 CONFIGURATIONS

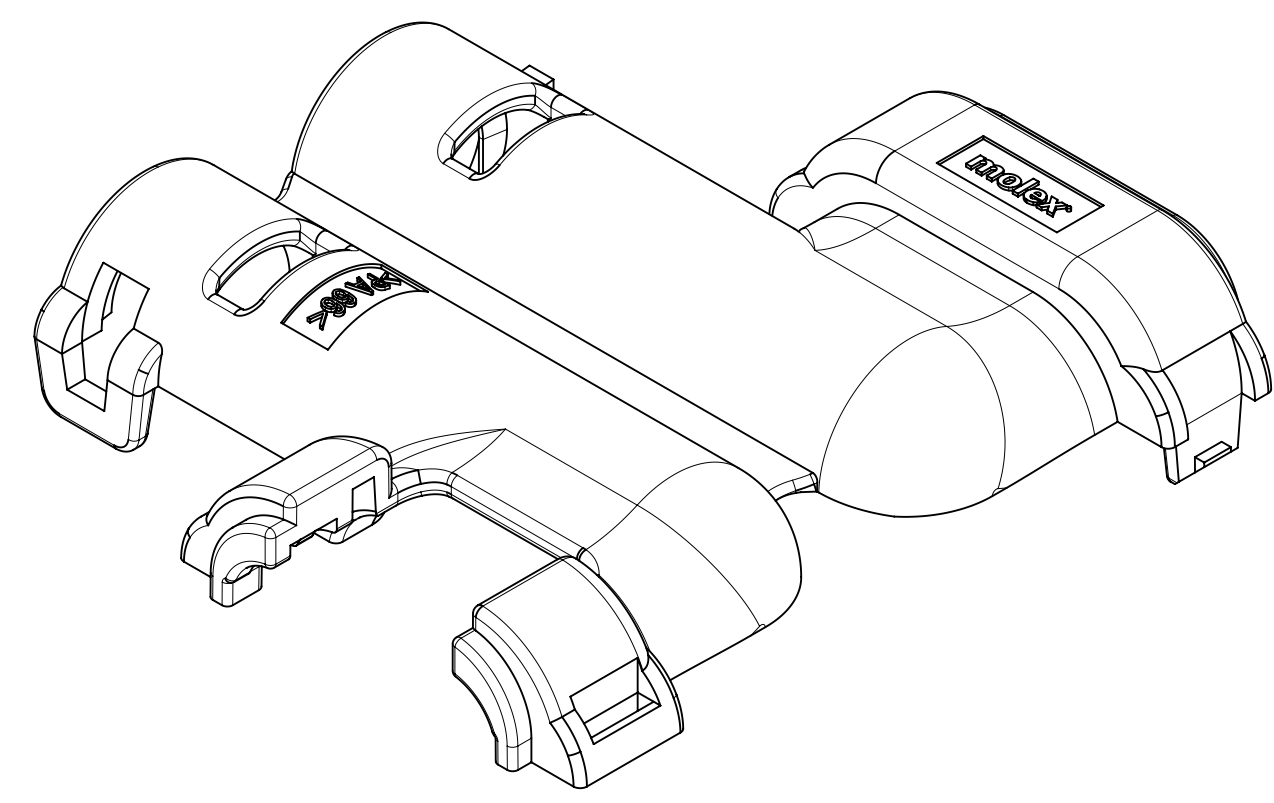
1X4 RECEPTACLE



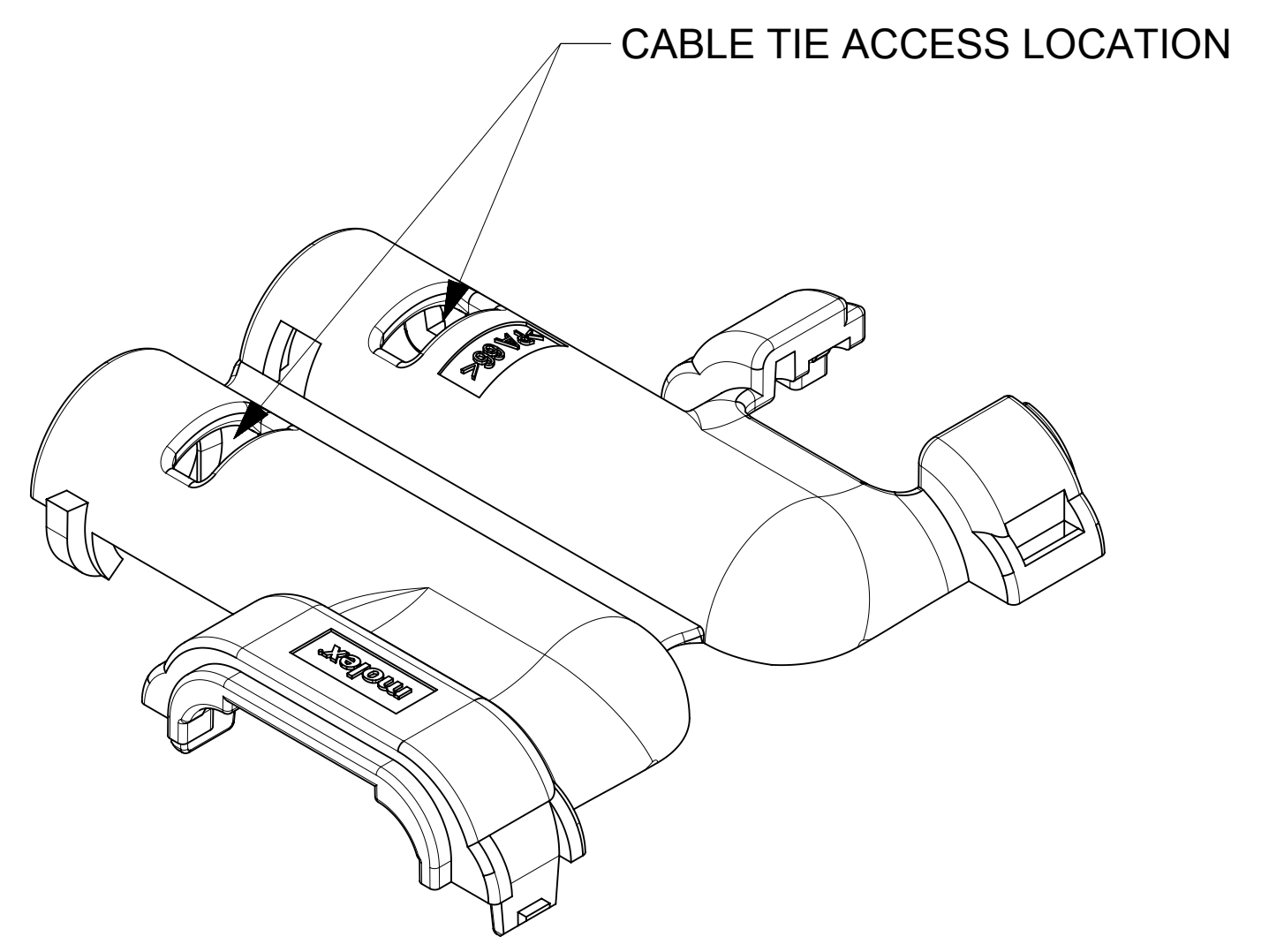
DIRECTION TYPE 1



DIRECTION TYPE 2

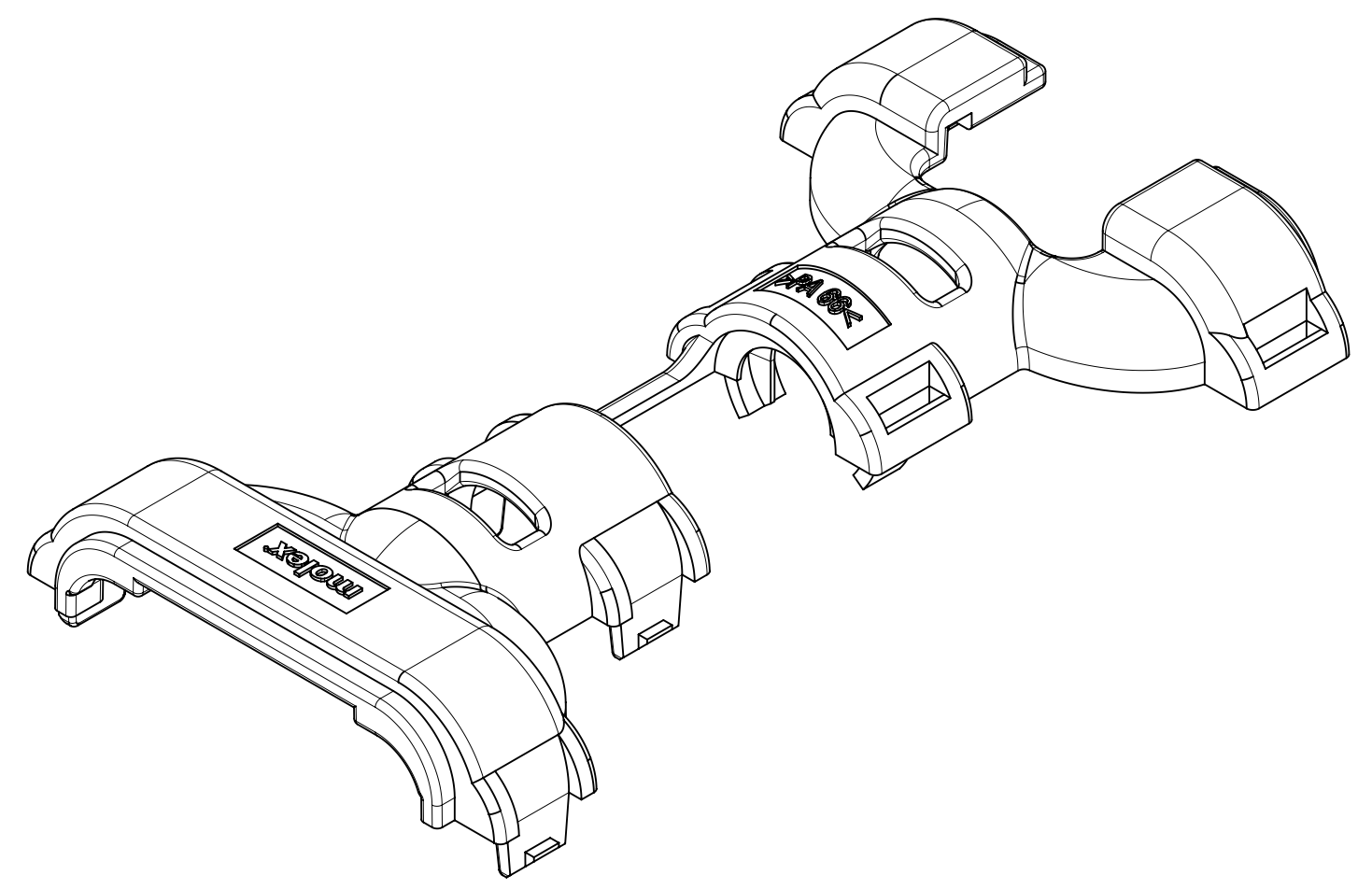


DIRECTION TYPE 3

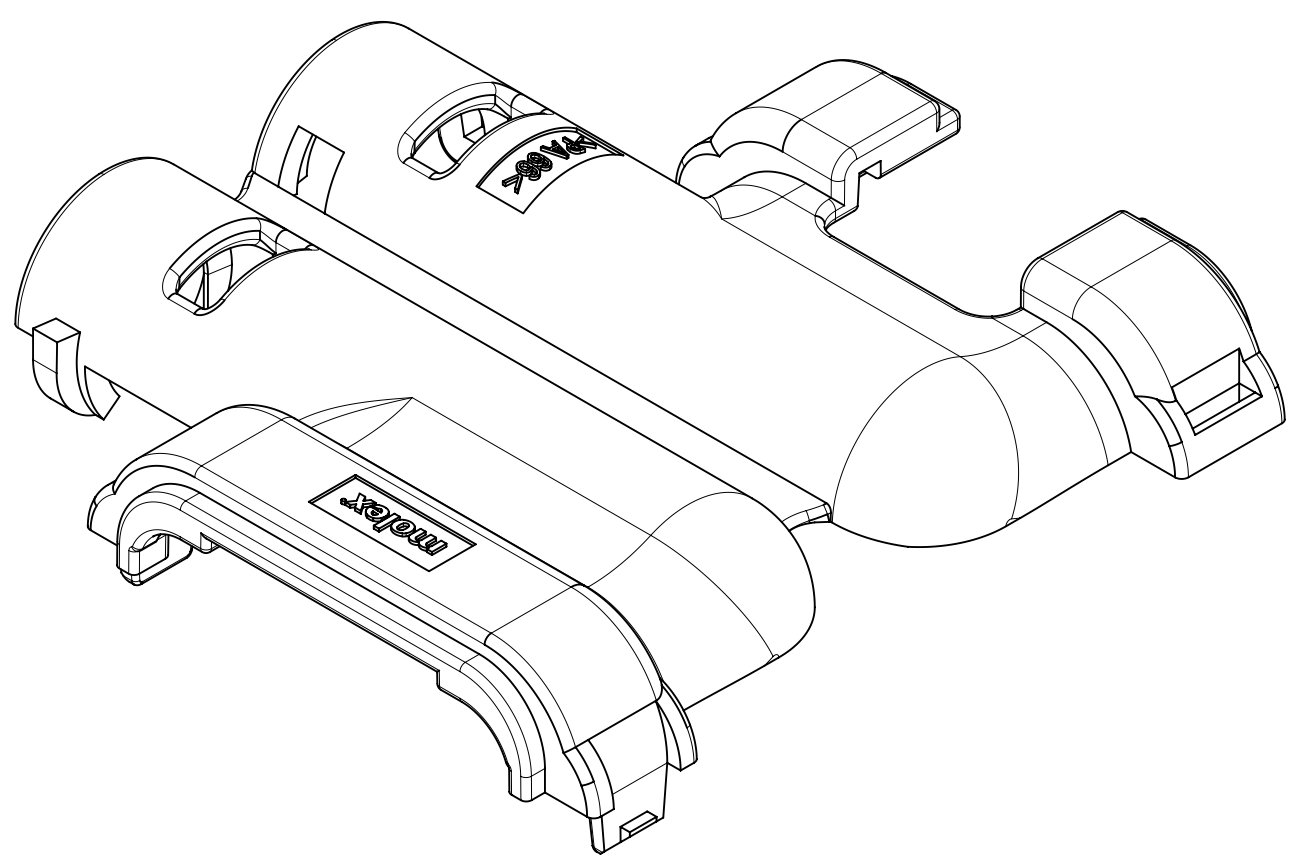


CABLE TIE ACCESS

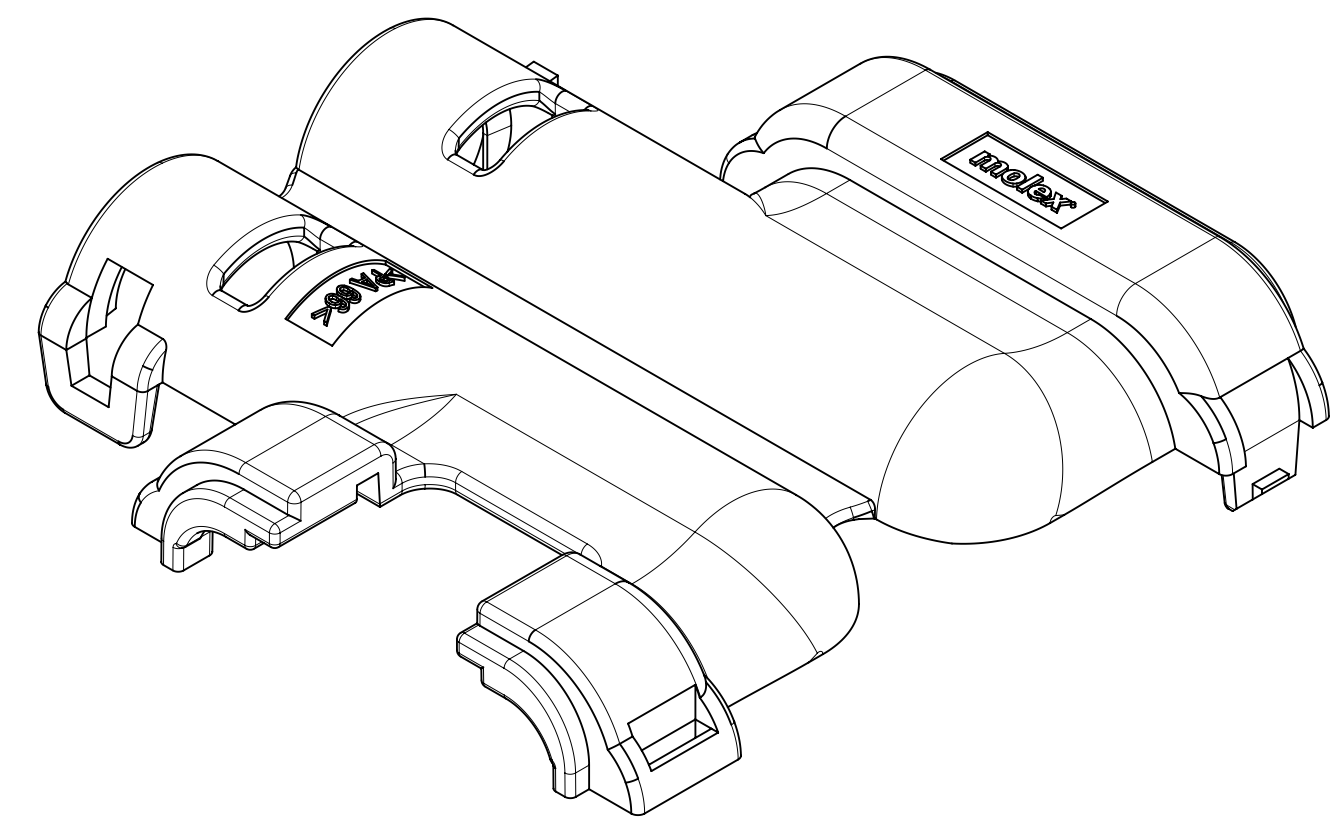
1X6 RECEPTACLE



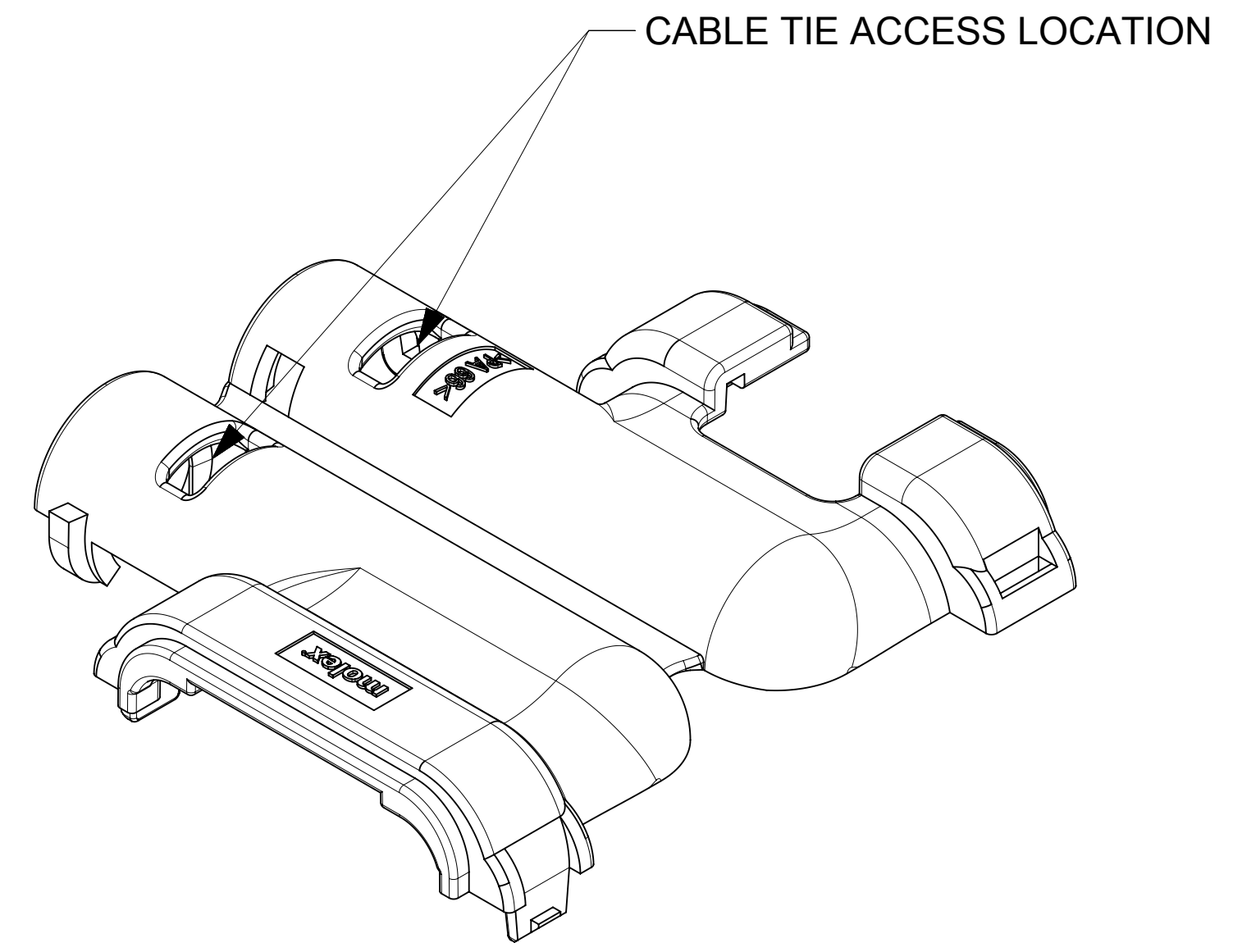
DIRECTION TYPE 1



DIRECTION TYPE 2



DIRECTION TYPE 3

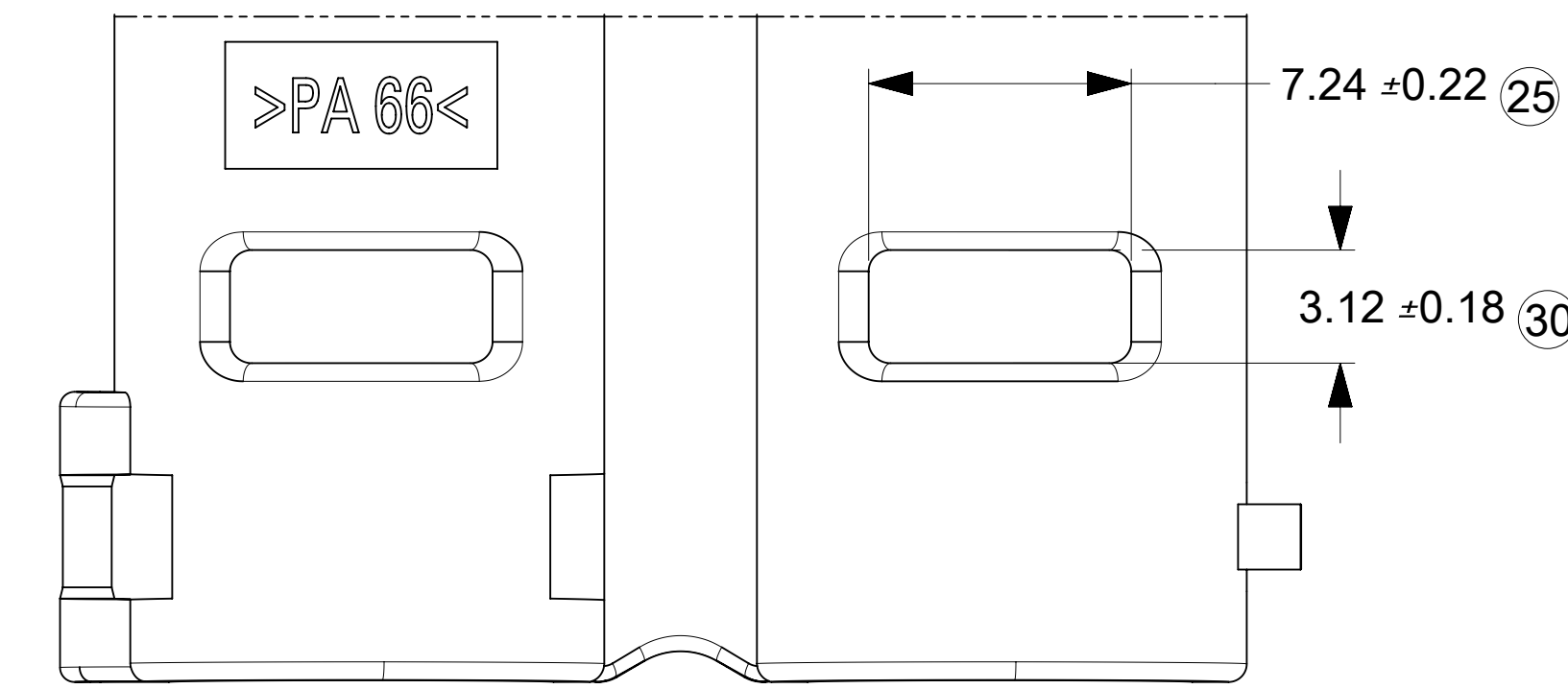
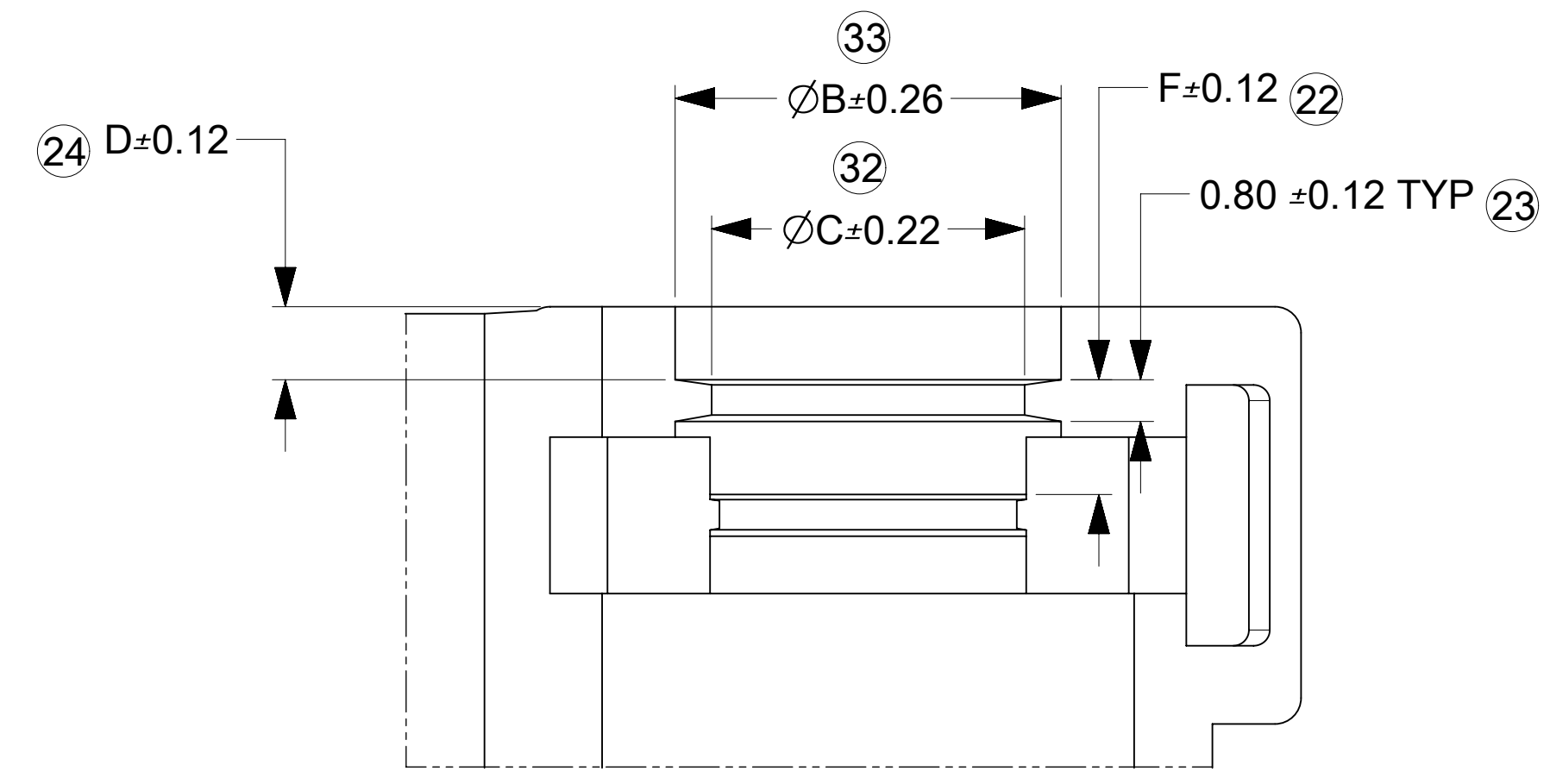
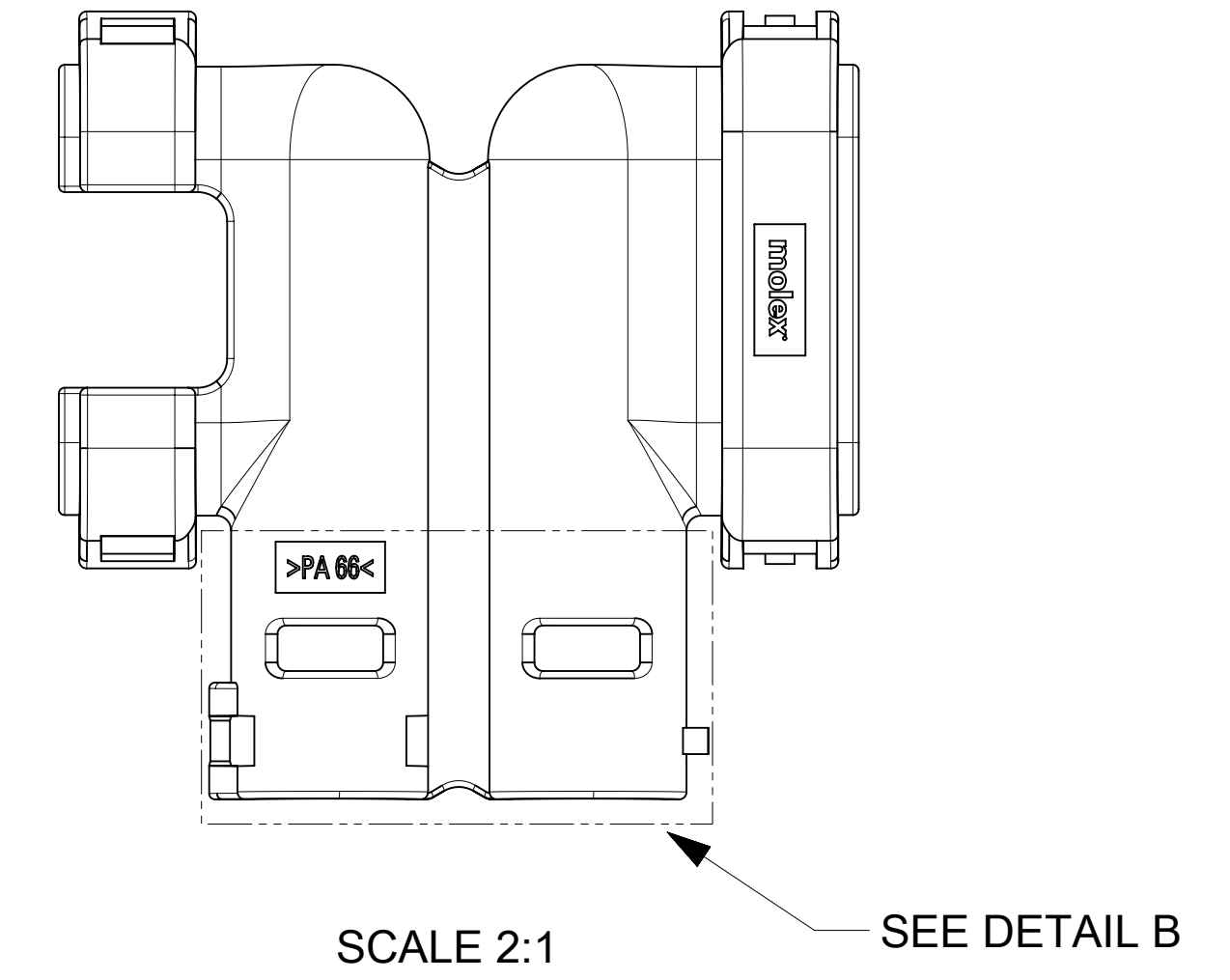
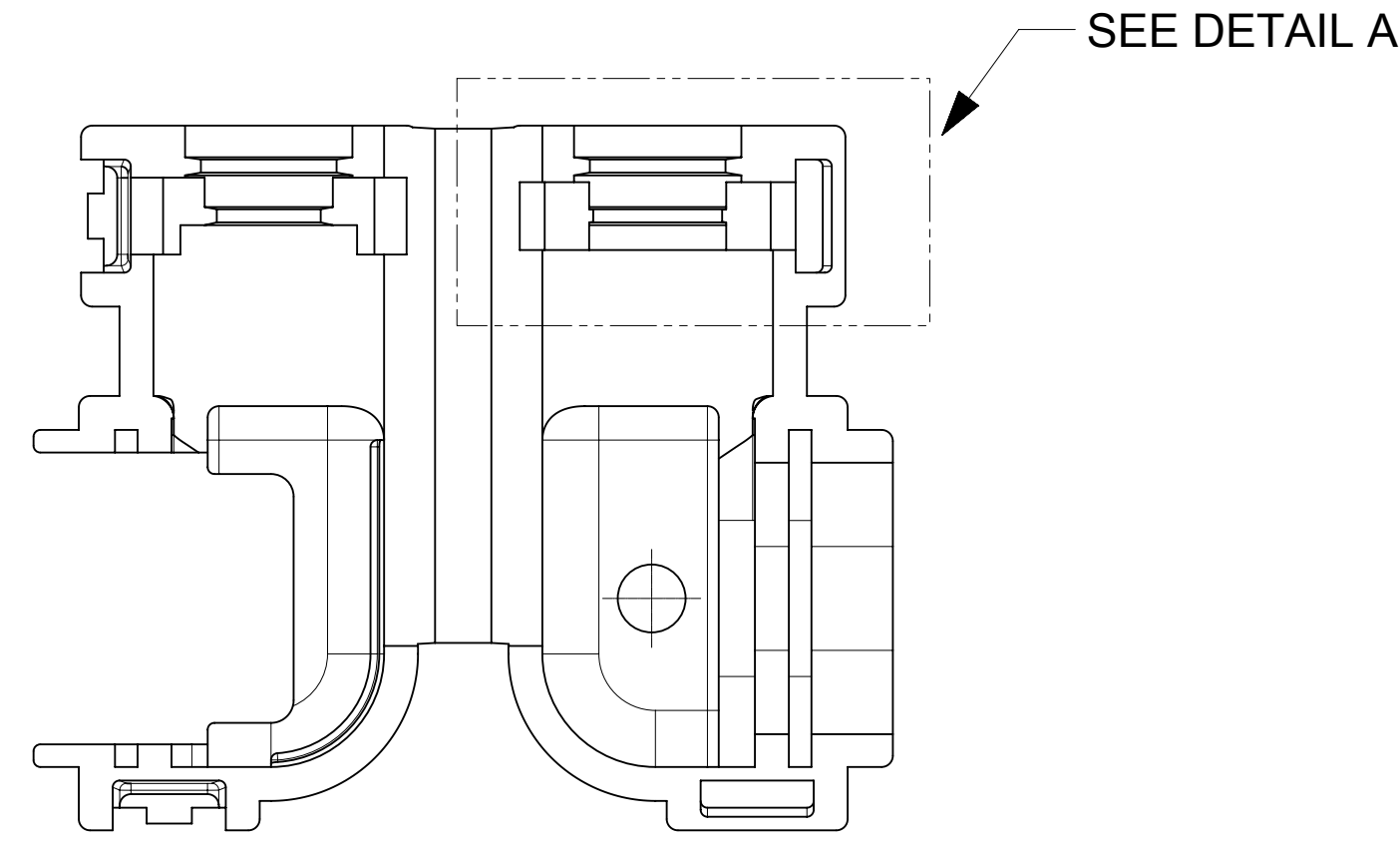
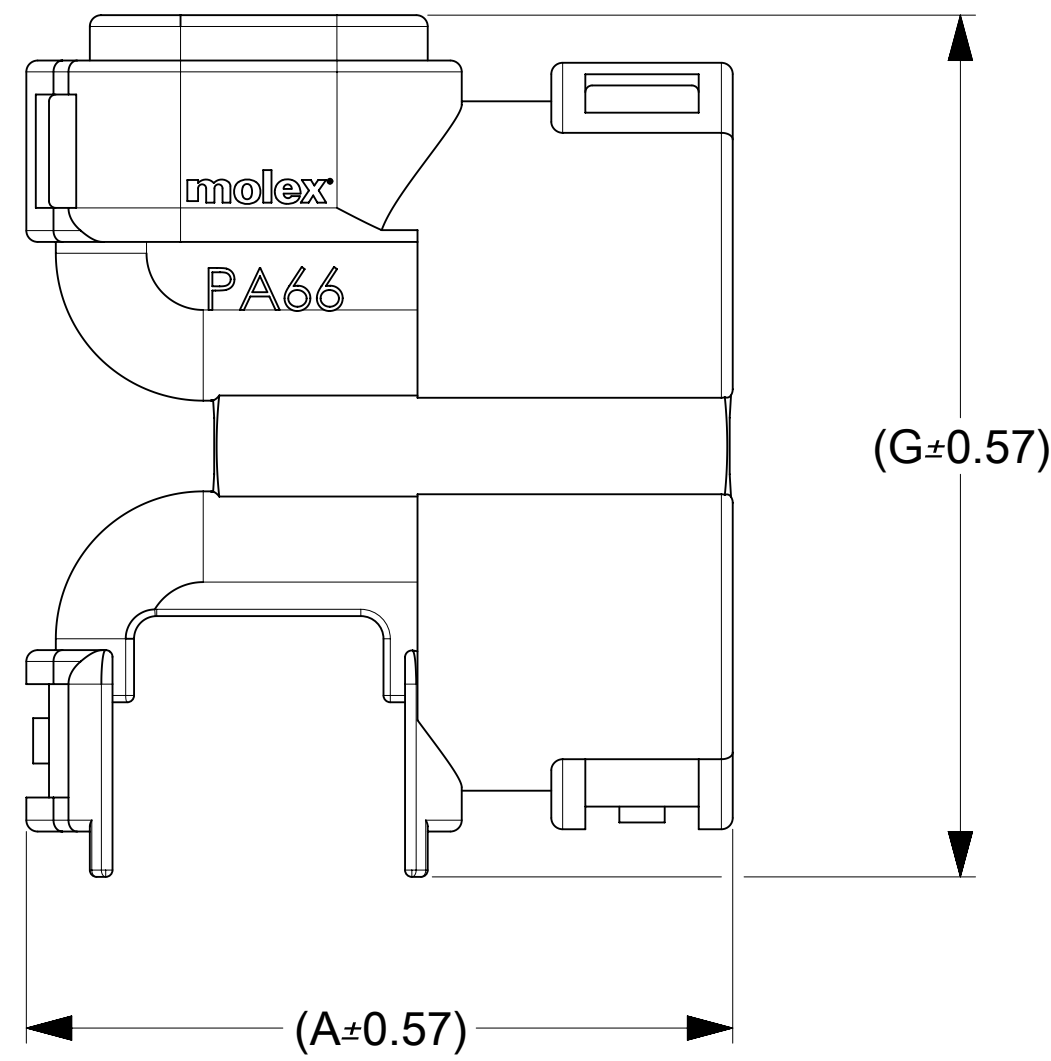
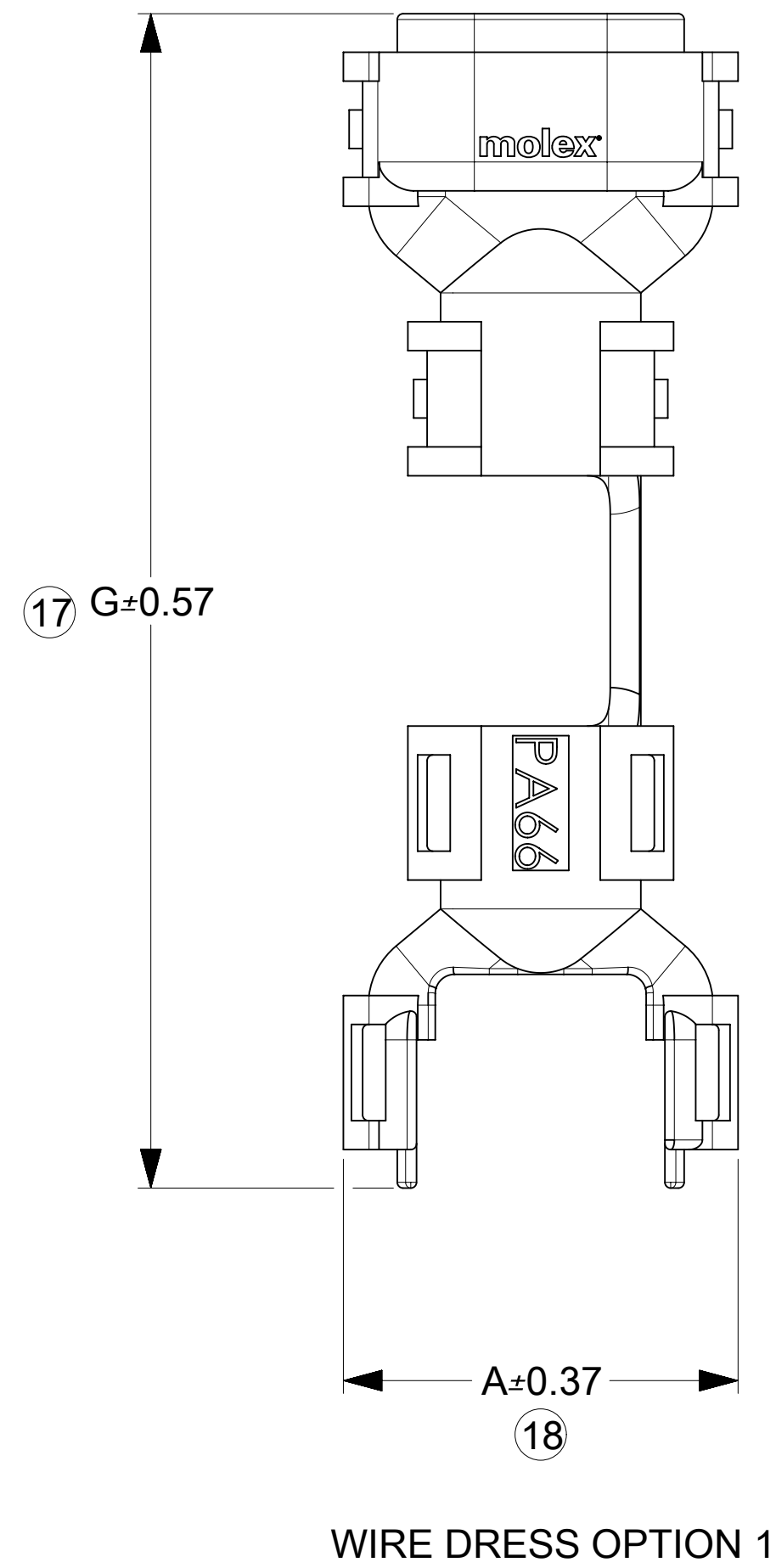


CABLE TIE ACCESS

FUNCTIONAL SYMBOLS FA = 0 FE = 0 FP = 0 DIVISIONAL SYMBOLS	THIS DRAWING CONTAINS INFORMATION THAT IS PROPRIETARY TO MOLEX ELECTRONIC TECHNOLOGIES, LLC AND SHOULD NOT BE USED WITHOUT WRITTEN PERMISSION		CURRENT REV DESC: MIGRATED TO NX, BALLOON NUMBERS ADDED				
	DIMENSION UNITS mm	SCALE 2.5:1	GENERAL TOLERANCES (UNLESS SPECIFIED)				
	ANGULAR TOL ± 3.0°		EC NO: 634349 DRWN: VRAMAKANTALA 2020/03/17 CHK'D: MVANSLAMBROU 2020/03/21 APPR: MVANSLAMBROU 2020/03/21				
	4 PLACES ± 3 PLACES ± 2 PLACES ± 0.1 1 PLACE ± 0.3 0 PLACES ±		INITIAL REVISION: DRWN: MVANSLAMBROU 2015/05/28 APPR: VKOSHY 2016/01/04				
DRAFT WHERE APPLICABLE MUST REMAIN WITHIN DIMENSIONS		THIRD ANGLE PROJECTION	DRAWING	SERIES	MATERIAL NUMBER	CUSTOMER	SHEET NUMBER
			D-SIZE	160091	SD-160091-0001	PSD 001	C
DOCUMENT STATUS P1		RELEASE DATE 2020/03/21 11:41:05		SD-160091-0001		3 OF 4	

CONVOLUTE INTERFACE / BACKSHELL DETAIL

DESCRIPTION	DIMENSIONS					
	A	B	C	D	F	G
1X2 WIRE DRESS OPTION 1	20.50	7.40	6.00	1.40	2.20	61.0
1X2 WIRE DRESS OPTION 2	31.15	7.40	6.00	1.40	2.20	38.0
1X2 WIRE DRESS OPTION 3	31.15	7.40	6.00	1.40	2.20	38.0
1X3 WIRE DRESS OPTION 1	24.60	7.40	6.00	1.40	2.20	61.0
1X3 WIRE DRESS OPTION 2	33.30	7.40	6.00	1.40	2.20	38.0
1X3 WIRE DRESS OPTION 3	33.30	7.40	6.00	1.40	2.20	38.0
1X4 WIRE DRESS OPTION 1	30.16	10.60	7.50	0.90	2.70	71.1
1X4 WIRE DRESS OPTION 2	49.98	10.60	7.50	0.90	2.70	54.8
1X4 WIRE DRESS OPTION 3	49.98	10.60	7.50	0.90	2.70	54.8
1X6 WIRE DRESS OPTION 1	38.16	10.60	7.50	0.90	2.70	71.1
1X6 WIRE DRESS OPTION 2	53.98	10.60	7.50	0.90	2.70	54.8
1X6 WIRE DRESS OPTION 3	53.98	10.60	7.50	0.90	2.70	54.8



FUNCTIONAL SYMBOLS $F_A = 0$ $F_C = 0$ $F_P = 0$ DIVISIONAL SYMBOLS	THIS DRAWING CONTAINS INFORMATION THAT IS PROPRIETARY TO MOLEX ELECTRONIC TECHNOLOGIES, LLC AND SHOULD NOT BE USED WITHOUT WRITTEN PERMISSION		CURRENT REV DESC: MIGRATED TO NX, BALLOON NUMBERS ADDED			
	DIMENSION UNITS mm	SCALE 3:1	EC NO: 634349 DRWN: VRAMAKANTALA 2020/03/17 CHK'D: MVANSLAMBROU 2020/03/21 APPR: MVANSLAMBROU 2020/03/21			
	GENERAL TOLERANCES (UNLESS SPECIFIED) ANGULAR TOL ± 3.0°		INITIAL REVISION: DRWN: MVANSLAMBROU 2015/05/28 APPR: VKOSHY 2016/01/04			
	4 PLACES ± 3 PLACES ± 2 PLACES ± 0.1 1 PLACE ± 0.3 0 PLACES ±	DRAFT WHERE APPLICABLE MUST REMAIN WITHIN DIMENSIONS				
THIRD ANGLE PROJECTION		DRAWING D-SIZE	SERIES 160091	MATERIAL NUMBER SEE BOM	CUSTOMER GENERAL MARKET	SHEET NUMBER 4 OF 4

1.2MM RECEPTACLE WDC

PRODUCT CUSTOMER DRAWING

DOCUMENT NUMBER	DOC TYPE	DOC PART	REVISION
SD-160091-0001	PSD	001	C