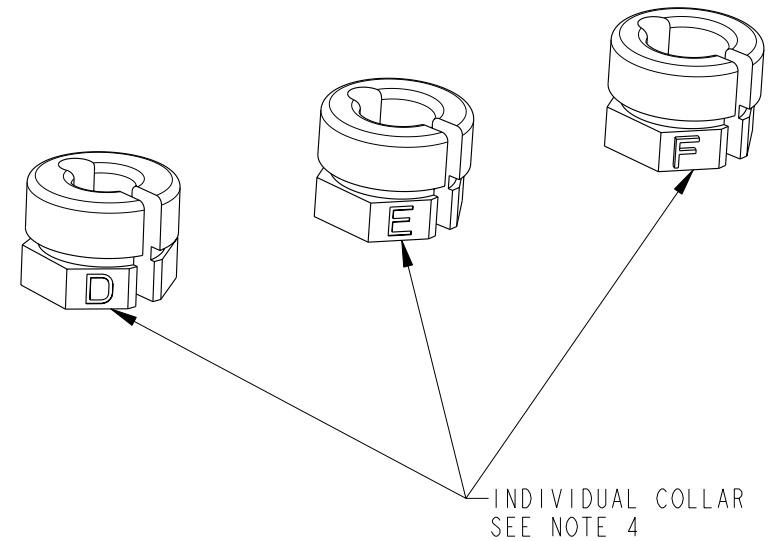


PRODUCT NUMBER 10007239-001 3 SIZES ON STRIP	WIRE SIZE	CABLE DIAM. (mm)	RECESSED CHARACTER
10007239-101	#26	7.9	A
10007239-101	#26	8.5	
10007239-102	#26	8.7	B
10007239-102	#24	9.4	
10007239-103	#24	9.9	C
10007239-103	#24	10.6	
10007239-104LF	#30	5.05	D
10007239-104LF	#30	5.75	
10007239-105LF	#28	6.05	E
10007239-105LF	#28	6.75	
10007239-106LF	#26	6.65	F
10007239-106LF	#26	7.35	

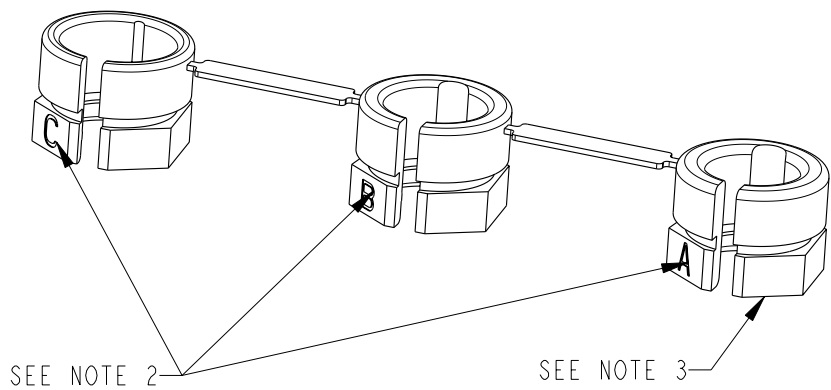


NOTES:

- MATERIAL: THERMOPLASTIC
- THREE SIZES OF CABLE COLLARS ARE PROVIDED. SELECT CORRECT COLLAR SIZE BY DIAMETER, SEE TABLE.
- PLACE CABLE COLLAR ON CABLE WITH HEX SIDE FACING CABLE TIP.
- THE -104LF, -105LF & -106LF ARE INDIVIDUAL COLLAR NOT FAMILY MOLDED ON A STRIP.
- THIS PRODUCT MEETS EUROPEAN UNION DIRECTIVES AND OTHER COUNTRY REGULATION AS DESCRIBED IN GS-22-008



Copyright FCI.



SEE NOTE 2
FAMILY MOLDED ON STRIP
SEE CHART

SEE NOTE 3

rev	ecn no	dr	date
A	V03-0251	GIP	04/01/03
B	M06-0249	MHT	6/29/06
C	M07-0155	MHT	2007-03-10
-	-	-	-
-	-	-	-
-	-	-	-
-	-	-	-

www.fciconnect.com		surface 3.200 ASME Y14.5	tolerance std -	projection MM
		TOLERANCES UNLESS OTHERWISE SPECIFIED		MM
Dr	G.PETERS	04/01/03	ANGULAR	size A4
Eng	D.BRANN	04/01/03	LINEAR	Scale 2:1
Chr	G.PETERS	04/01/03	0° ±2°	ECN M07-0155
Appr	D.BRANN	04/01/03	0.X ±.3 0.XX ±.10 0.XXX ±.051	Spec ref -
FCI logo			Product family EyeMax (TM)	
4X CABLE COLLAR F/ EYEMAX (tm)			dwg no 10007239	Rev. C
catalog no -			CUSTOMER	sheet 1 of 1

REV F - 2006-04-17

SCALE 3:2

PDM: Rev:C

STATUS Released

4 Printed: Jul 22, 2010