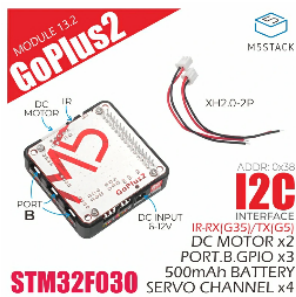


# GoPlus2

SKU:M025-B



## Description

**GoPlus2** is a stackable multi-functional motor and servo control module. The master control integrates the STM32F030C8T6 chipset. The module is equipped with 2-way DC motor drive interface and 4-way servo drive interface. Three PORT-B interfaces(Analog Input,Digital Output,Digital Input) can be expanded. Built-in 500mAh battery and support infrared (IR) transmission and receive. In order to meet the requirements of multi-channel interface power supply at the same time, a DC power interface is provided for external power supply, battery can be charged through the M5Core with USB-C.

Communication protocol: I2C(0x38)

## Product Features

- 2x DC motor interface
- 4x Servo interface
- IR transmit & receive
- 3x expand PORT B
- STM32F030C8T6
- Built in 500mAh battery

## Include

- 1x GoPlus2 Module
- 2x DC Motor Cable

## Application

- Actuator / motor driver
- Acquisition and control of multiple input and output signals
- Infrared controller
- DIY Toy base

## Specification

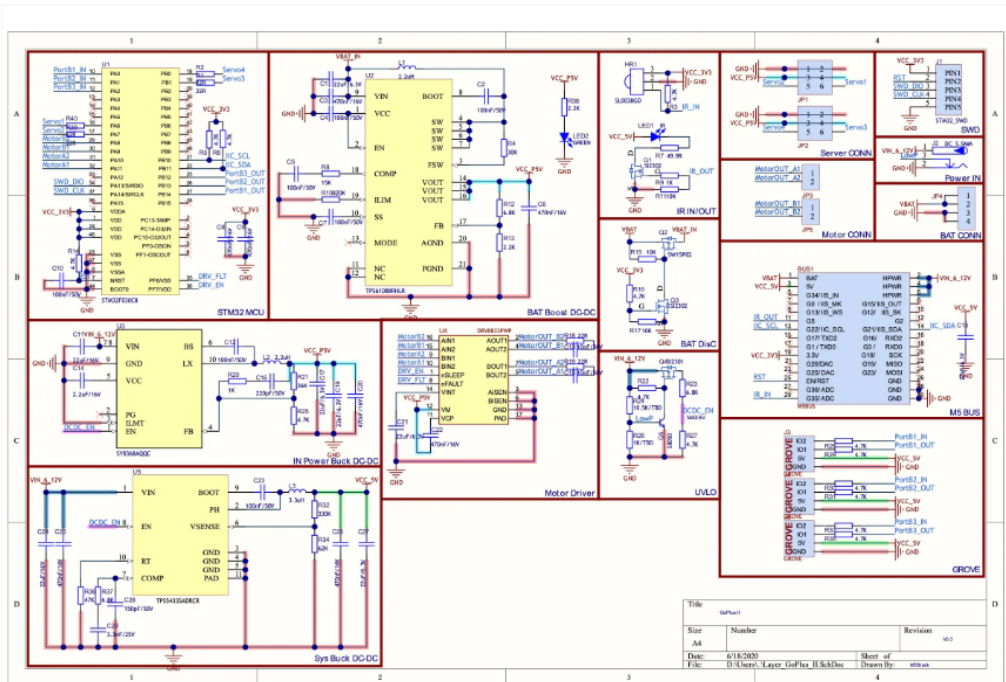
| Resources         | Parameter                          |
|-------------------|------------------------------------|
| Main control chip | STM32F030C8T6                      |
| Expand interface  | DC Motor x 2,PORT-B x 3, Servo x 4 |
| motor drive       | HR8833 H-bridge drive              |
| IR                | Transmit and Receive               |
| Battery           | 500mAh                             |
| Net Weight        | 38g                                |
| Gross Weight      | 58g                                |
| Product Size      | 54*54*13mm                         |

# EasyLoader

EasyLoader is a concise and fast program writer, which has a built-in case program related to the product. It can be burned to the main control by simple steps to perform a series of function verification. Please install the corresponding driver according to the device type. M5Core host

[Please click here to view the CP210X driver installation tutorial](#)

## Schematic



## PinMap

|                 |         |              |
|-----------------|---------|--------------|
| M5Core(GROVE A) | GPIO35  | GPIO5        |
| IR              | Receive | Transmission |

## Related Link

- Protocol Manual
- [GoPlus2 I2C Protocol](#)

## Example

### Arduino

To get example code, please [click here to download](#)

Last updated: 2021-1-22

## PURCHASE