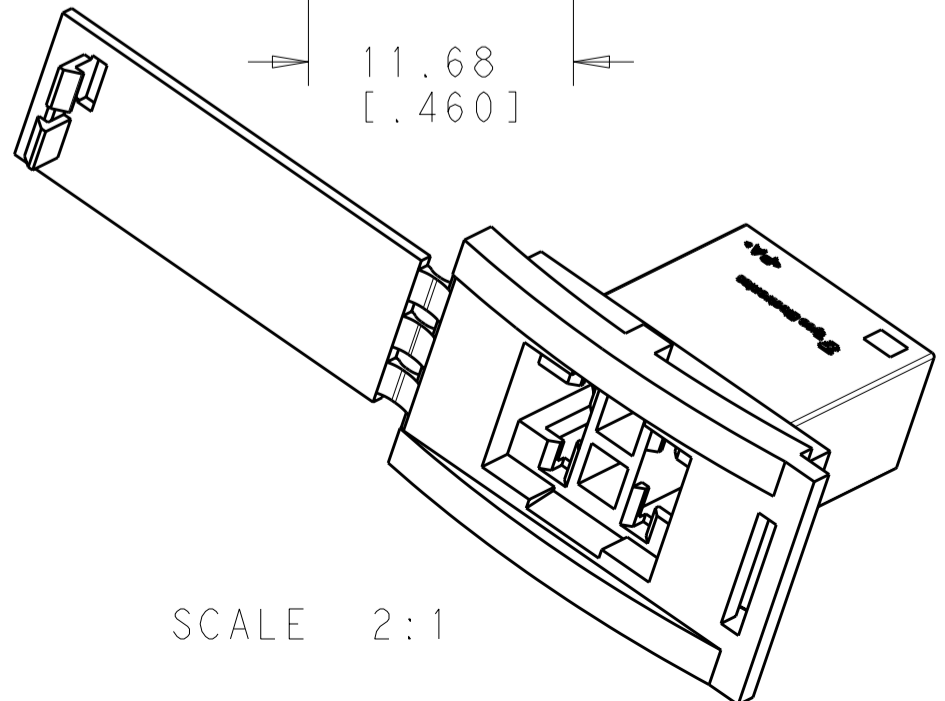
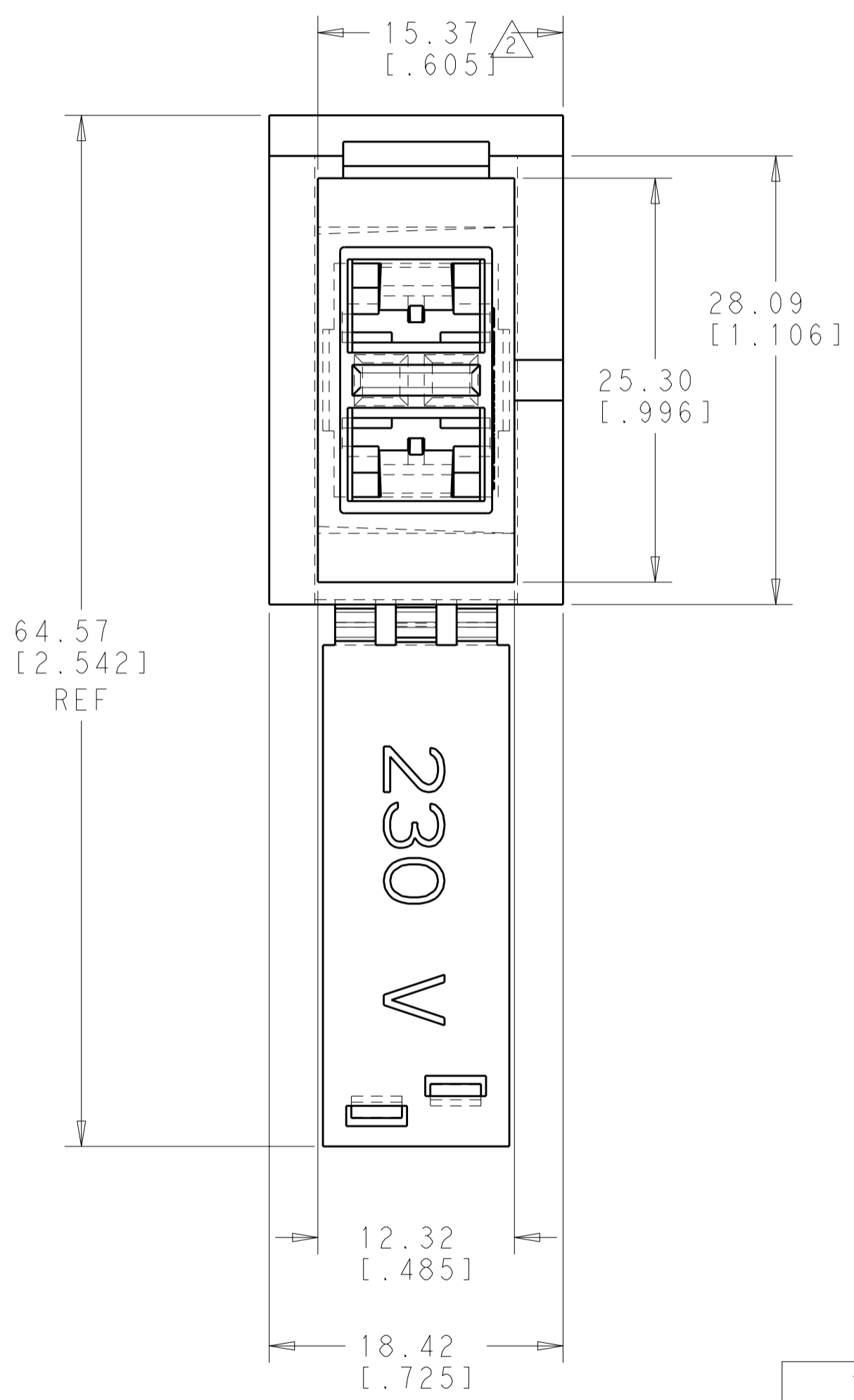
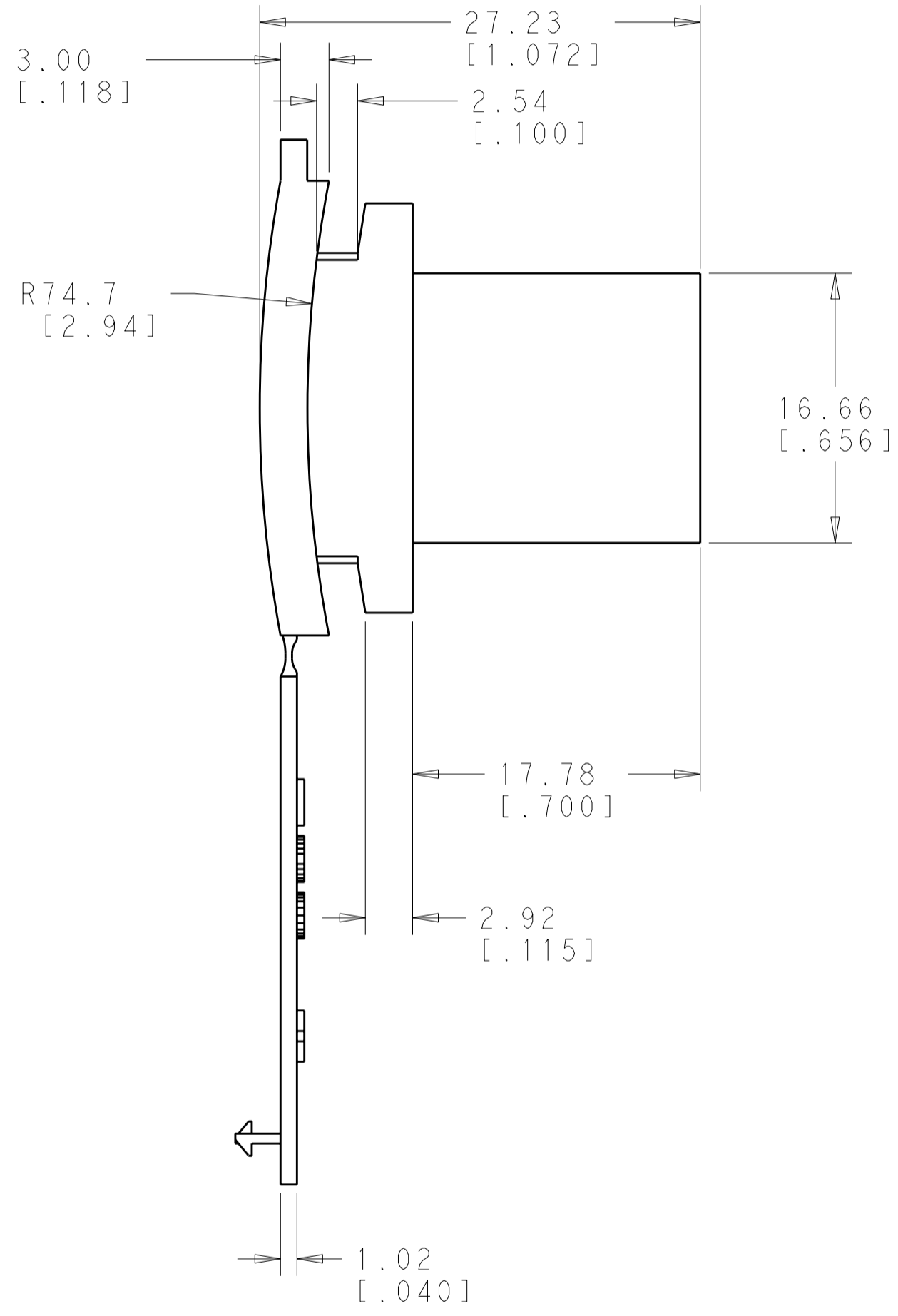
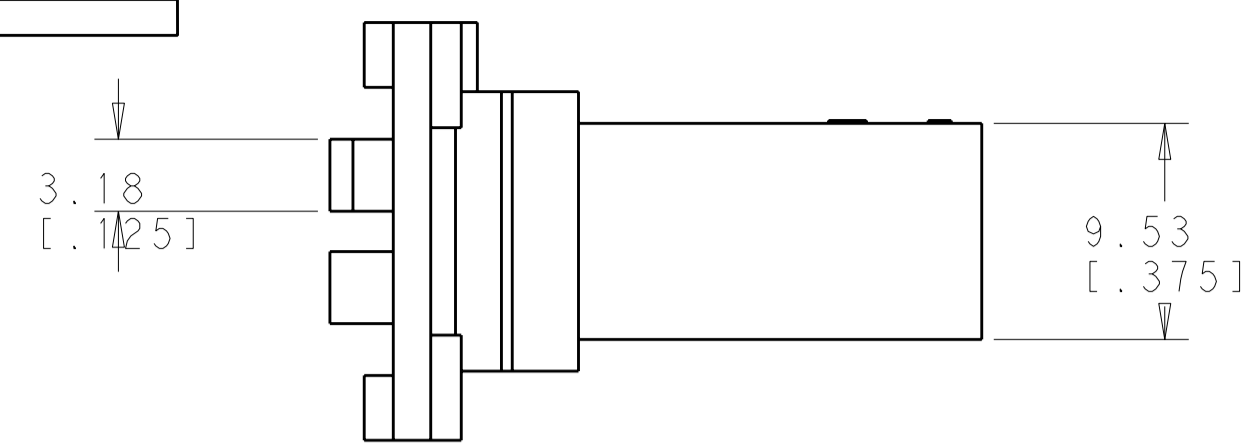
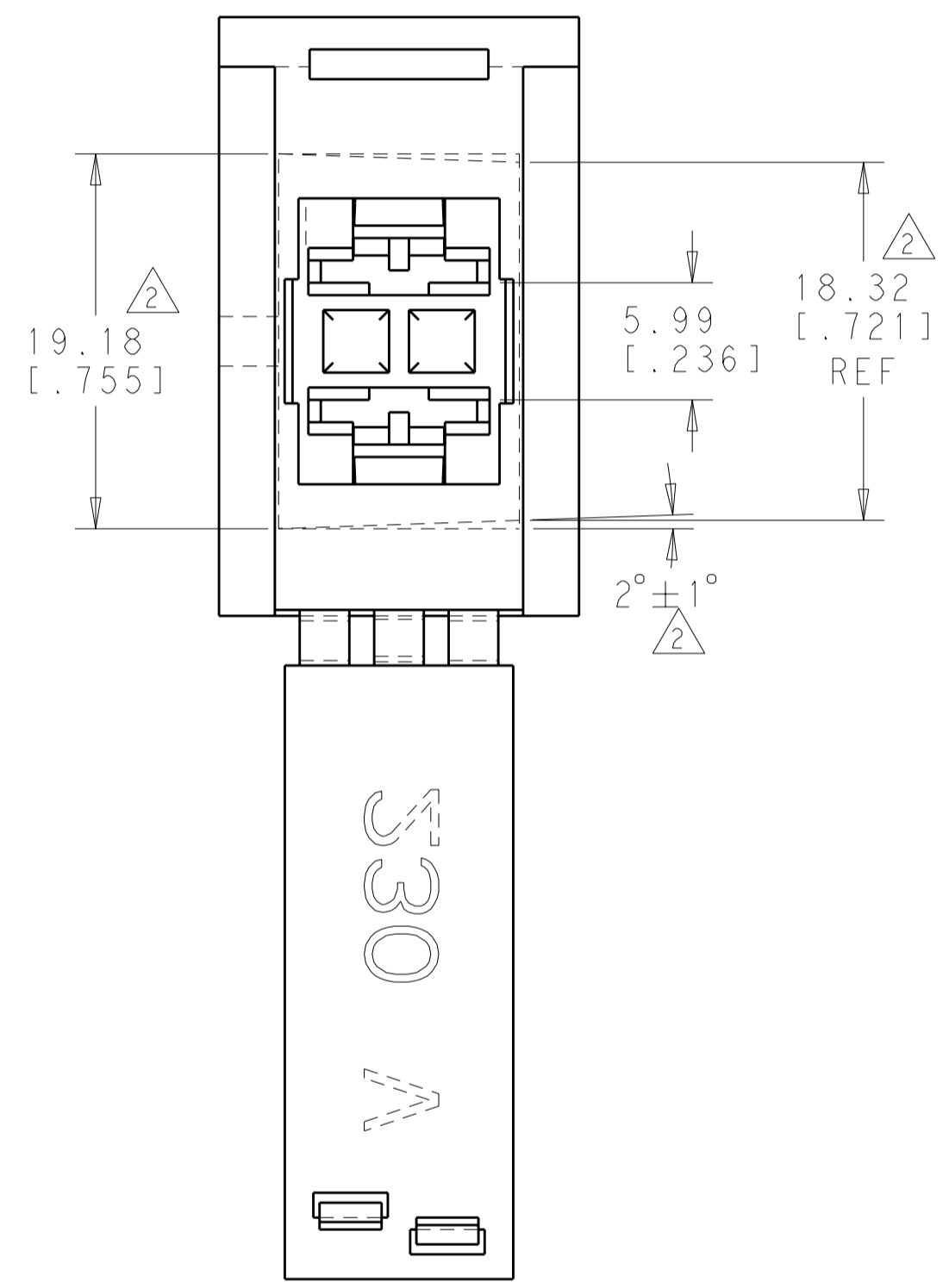


THIS DRAWING IS UNPUBLISHED. RELEASED FOR PUBLICATION 20
 © COPYRIGHT 20 AMP ALL RIGHTS RESERVED.

LOC	DIST	REVISIONS			
P	LTR	DESCRIPTION	DATE	DWN	APVD
AF	58	A3	REV PER ECR 11-005349	18MAR11	JR PD

⚠ THESE DIM'S CAN BE USED TO CALCULATE THE CUT-OUT IN THE CAN WALL.



SCALE 2:1

1969387-1
 PART NUMBER

THIS DRAWING IS A CONTROLLED DOCUMENT.		DWN	JR RUTH	09AUG2010	TE Connectivity NAME HOUSING, RECEPTACLE, FASTON, 2 POSITION, .250 SERIES
DIMENSIONS: mm [INCHES]		CHK	PETE DESANTIS	09AUG2010	
TOLERANCES UNLESS OTHERWISE SPECIFIED:		APVD	PETE DESANTIS	09AUG2010	
0 PLC ± 1 PLC ± 2 PLC ±0.25 [.010] 3 PLC ± 4 PLC ± ANGLES ± FINISH ±		PRODUCT SPEC	-	APPLICATION SPEC	
MATERIAL	NYLON, V0	WEIGHT	-	CUSTOMER DRAWING	SIZE A2 CAGE CODE 00779 DRAWING NO. C-1969387 RESTRICTED TO -
				SCALE	3:1
				SHEET	1 OF 1
				REV	A3