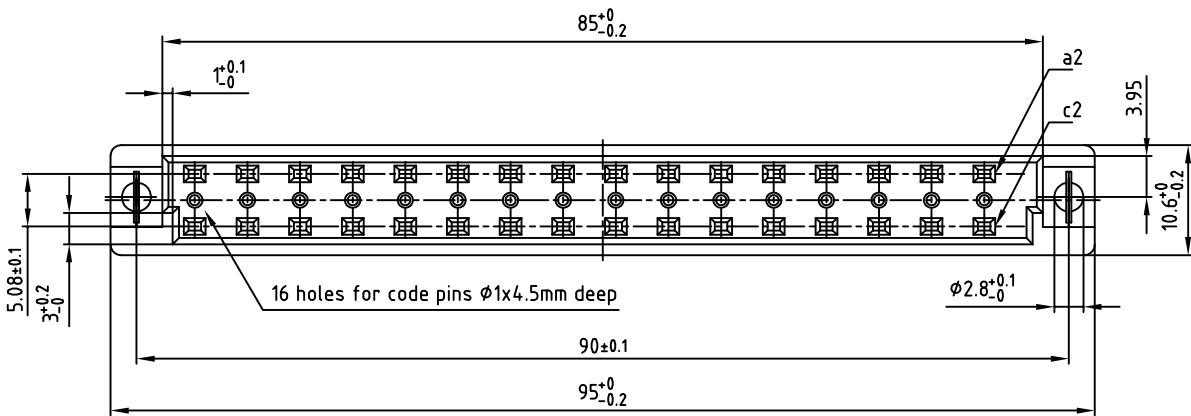
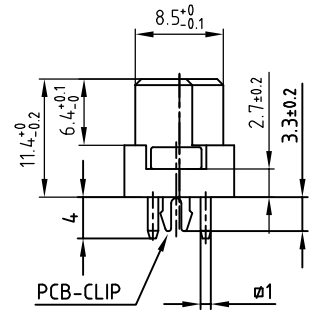
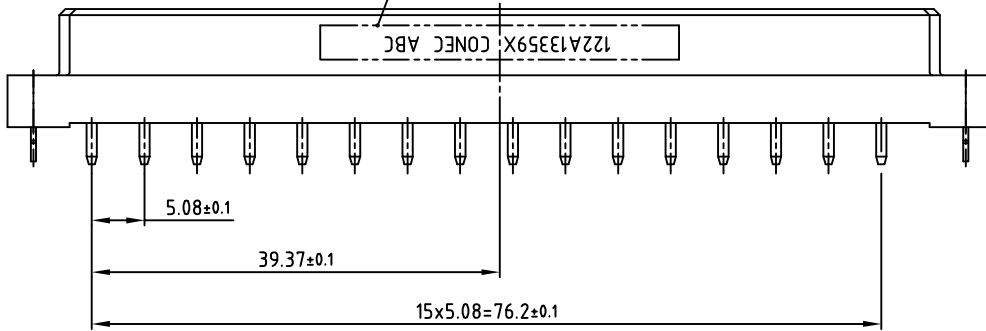


used for: DIN EN 60603-2 TYPE "C 1/2"

SEE NOTE 4

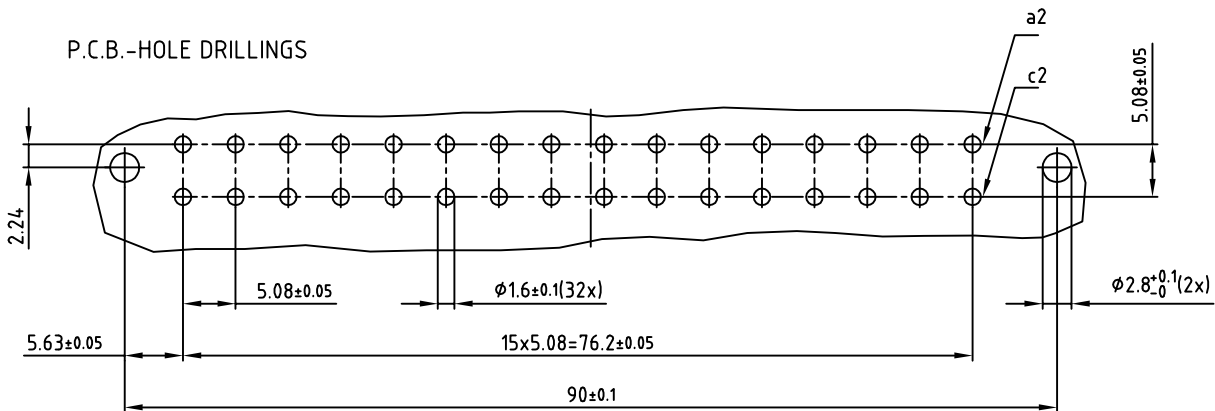
122A13359X CONEC ABC



NOTES:

1. INSULATORS: PBT GF UL 94 V-0, GREY
2. CONTACTS: COPPER ALLOY  
PLATING: GOLD FLASH over NICKEL
3. PCB-CLIPS: COPPER ALLOY  
PCB HOLE  $\phi 2.8 \pm 0.1$  / PCB THICKNESS  $t = 1.6\text{mm}$
4. CONNECTOR IS PART MARKED: 122A13359X CONEC ABC

P.C.B.-HOLE DRILLINGS



THIS DRAWING MAY NOT BE COPIED OR REPRODUCED IN ANY WAY, AND MAY NOT BE PASSED ON TO A THIRD PARTY, WITHOUT WRITTEN PERMISSION. OWNERSHIP AND COPYRIGHT OF CONEC GmbH DO NOT ALTER CAD DRAWING BY HAND

rev.	description	date	name
a	Original		

tolerance		dim. in mm	
2011	date	name	
drawn	28.03.	Henneboel	
appd.	28.03.	Mickenbecker	
norm	DIN EN 60603-2		
d-old			

scale:	2:1	
material:	SEE NOTES	
title:	FEMALE CONNECTOR TYPE "D" 32pos. SOLDER PIN 4mm with clip	
dwg no:	12K1A723	DIN-A 3 sh:1/1
part no:	122A13359X	

Directive 2002/95/EC RoHS compliant