

FEATURES

- GPS & GLONASS Protocols
- Single Band Frequency
- RoHs Compliant

APPLICATION

- Tracking
- Fleet Management



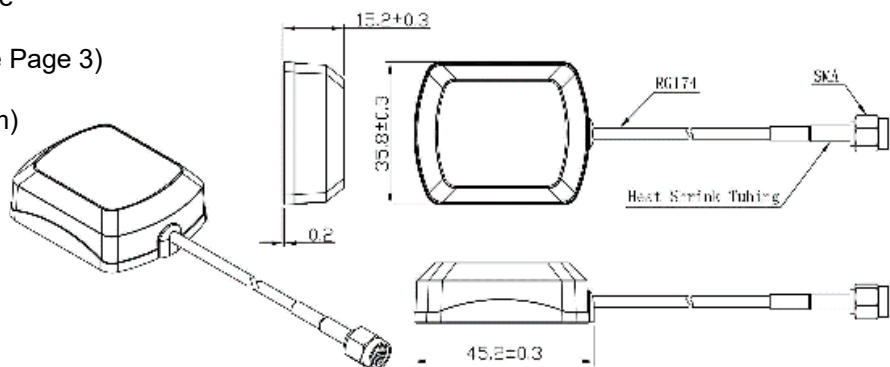
RoHS Compliant
includes all homogeneous materials
(see part numbering system for details)

SPECIFICATIONS

Electrical	
Frequency Range	1575.42~1602MHz
Polarization	RHCP
Gain	2dBic (Zenith)
Axial Ration	3dB (max.)
V.S.W.R	<1.5
Impedance	50Ω
LNA	
Gain	28 ± 2dB
Noise Figure	<1.5
Filter Insertion Loss	<3.0dB
Ex-Band Attenuation	12dB@CF+50MHz 16dB@CF-50MHz
Supply Voltage	2.2 - 5VDC
Current Consumption	5 - 15mA
V.S.W.R.	<2.0
Dimensions (mm):	
Length (L)	45.2 ± 0.30
Width (W)	35.8 ± 0.30
Height (H)	15.2 ± 0.30
Cable Length	3000
Connection Type	SMA
Cable	RG174
Mounting Method	Magnet/Adhesive

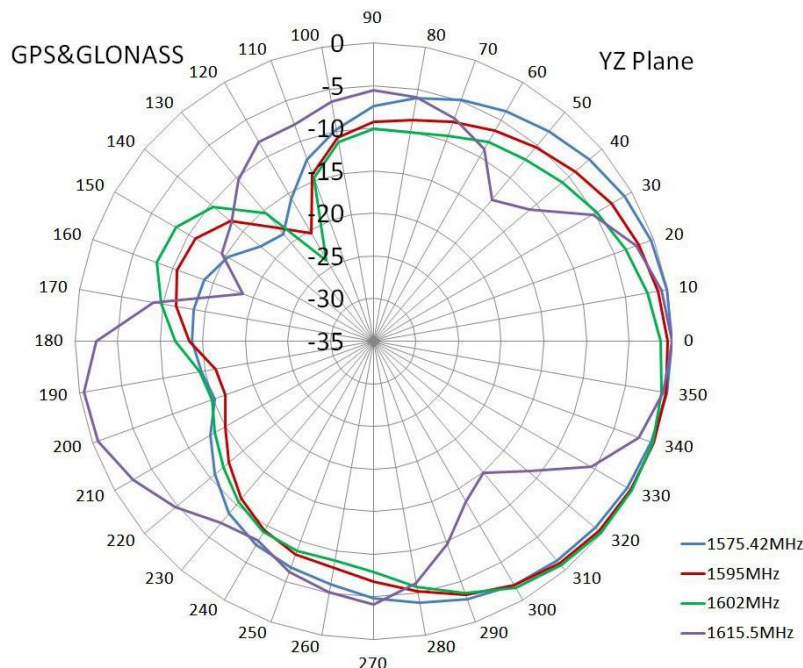
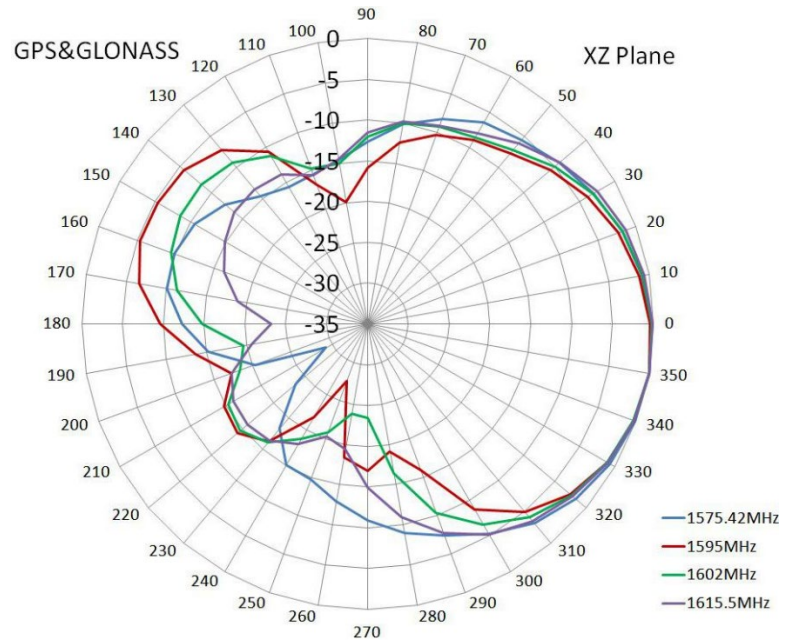
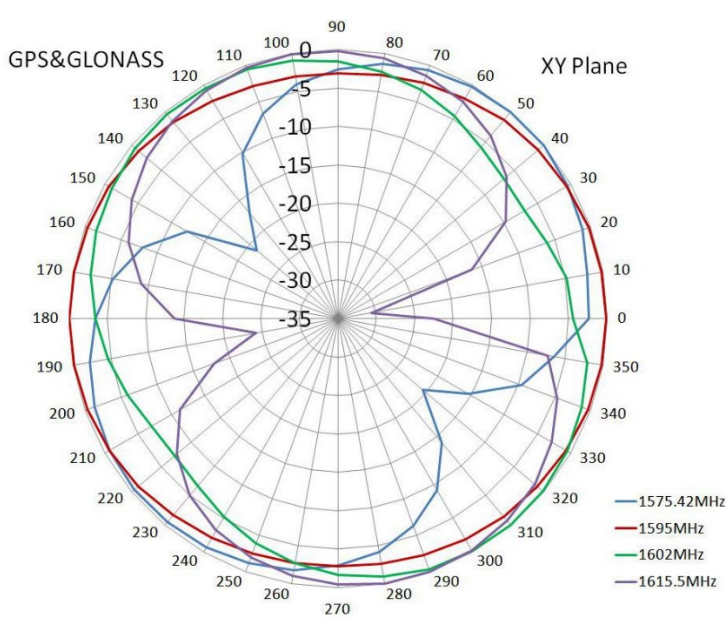
NAN-E A 45x35 B1 A M D F

- F = RoHS compliant
- D = RG174 Cable
- M = SMA connector
- A = Version Code (See Page 3)
- B1 = 1 Frequency Band
- 45x35 = Size (45.2 mm x 35.8 mm)
- A = Active Antenna
- NAN-E = Series



Environmental	
Operating Temperature	-40°C~+85°C
Relative Humidity	Up to 95%
Ingress Protection	IP65 ~ 67
Vibration	10 ~ 55Hz 1.5mm Amplitude 2 Hours
RoHS Compliant	Yes

RADIATION PATTERN



Version History and Status

Version	Date Issued	Details	Status
A	Nov 4 th , 2020	Initial Release Cable Length = 3 Meter Cable	Supported
B	March 16 th , 2021	New Release Cable Length = 7 Meter Cable	Supported

Please reach out to NIC for any customization requests and other inquiries:

- NIC Technical Support: tpmg@niccomp.com
- Compliance Support: rohs@niccomp.com