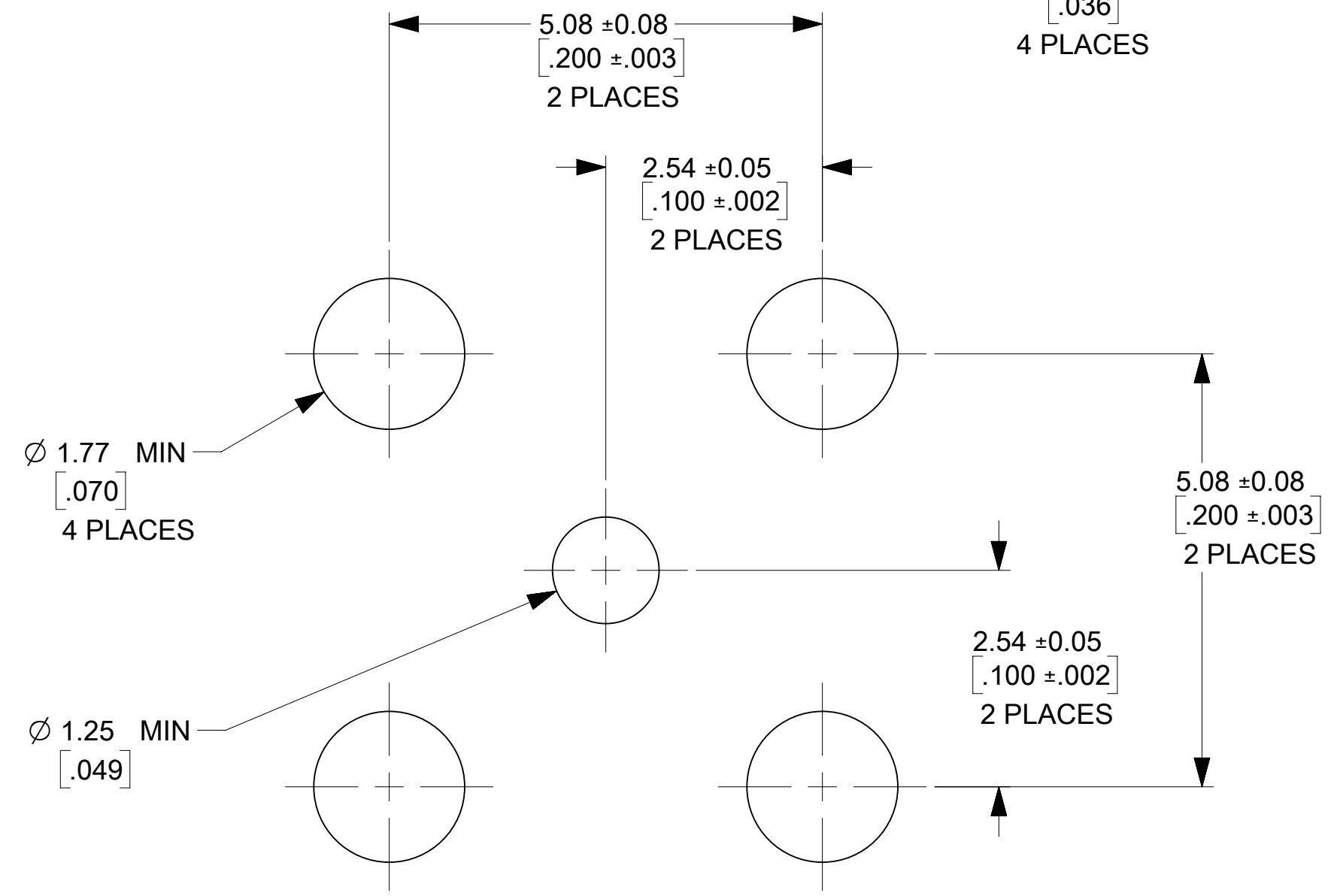
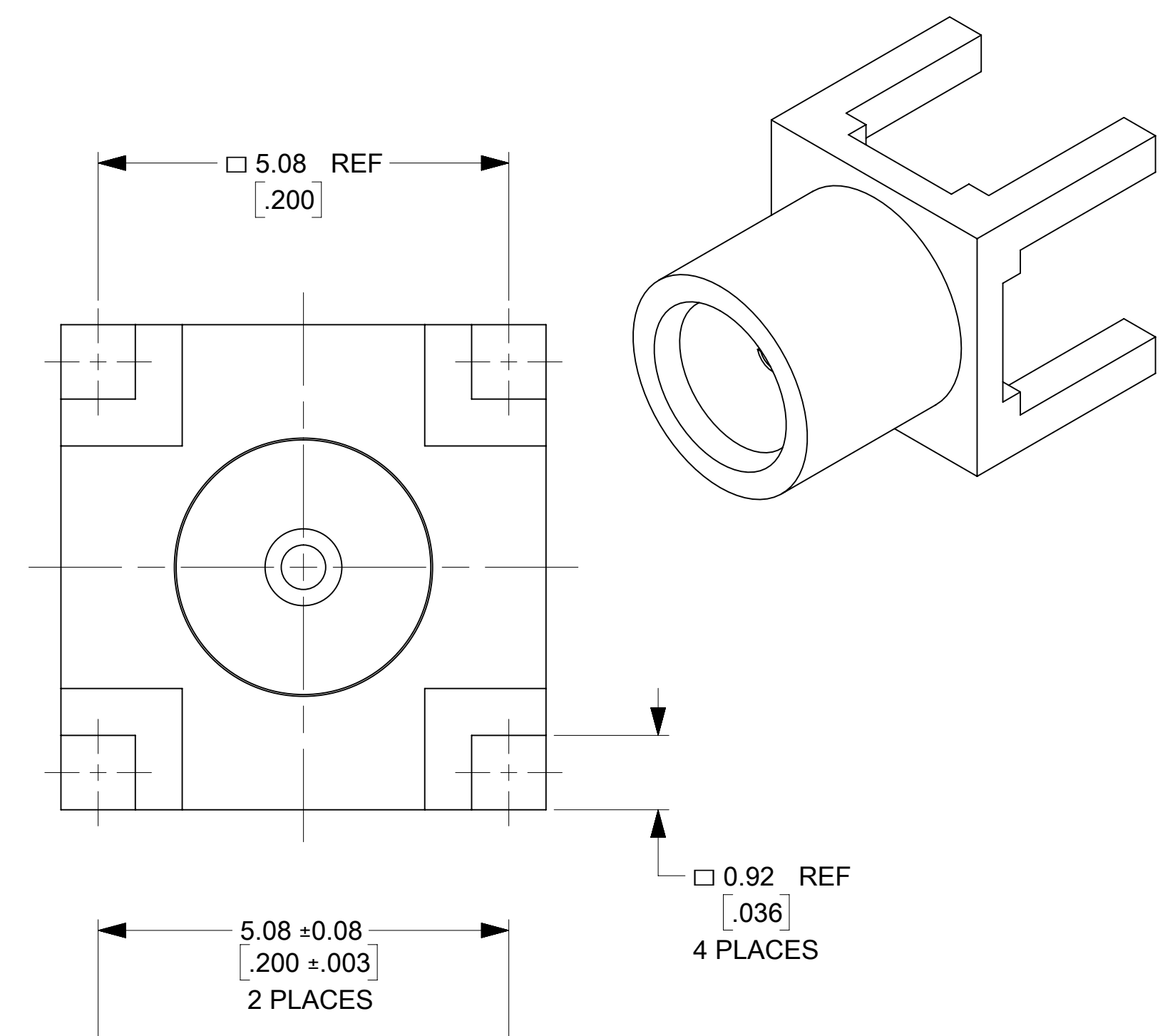
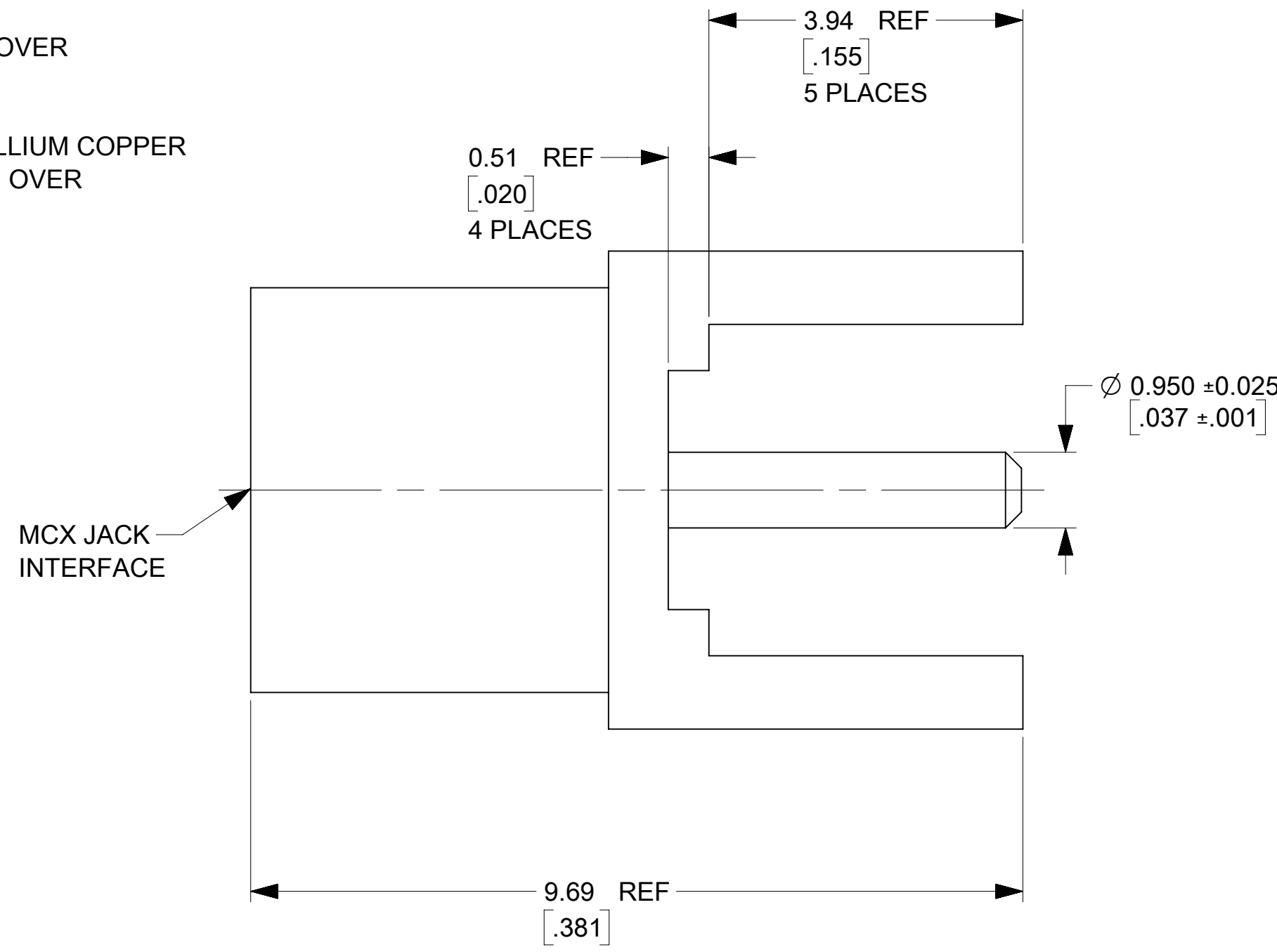


MATERIALS AND FINISHES

BODY: BRASS  
 PLATED GOLD (1μ-in MIN) OVER  
 NICKEL (50μ-in MIN)

CENTER CONTACT: BERYLLIUM COPPER  
 PLATED GOLD (50μ-in MIN) OVER  
 NICKEL (30μ-in MIN)

INSULATOR: PTFE



RECOMMENDED HOLE PATTERN

PART # 734153510

|  |   |                        |       |         |  |           |  |                 |  |              |  |
|--|---|------------------------|-------|---------|--|-----------|--|-----------------|--|--------------|--|
| FUNCTIONAL SYMBOLS                                   | THIS DRAWING CONTAINS INFORMATION THAT IS PROPRIETARY TO MOLEX ELECTRONIC TECHNOLOGIES, LLC AND SHOULD NOT BE USED WITHOUT WRITTEN PERMISSION |                        |       |         |  |           |  |                 |  |              |  |
|  | DIMENSION UNITS   |                        | SCALE |         | CURRENT REV DESC:  |           |  |                 |  |              |  |
| $\frac{F}{A} = 0$                                    | MM/IN   |                        | NTS   |         | EC NO: 677055<br>DRWN: LMEIER 2021/04/29<br>CHK'D: SSSHAH 2021/09/21<br>APPR: JDEREN 2021/09/21<br>INITIAL REVISION:<br>DRWN: TEF 2001/06/04<br>APPR: GMH 2001/07/03 |           |  |                 |  |              |  |
| $\frac{F}{C} = 0$                                    | GENERAL TOLERANCES (UNLESS SPECIFIED)   |                        |       |         |  |           |  |                 |  |              |  |
| $\frac{F}{P} = 0$                                    |   | MM                     | INCH  |         |  |           |  |                 |  |              |  |
| DIVISIONAL SYMBOLS                                   | 4 PLACES  | ±                      | ±     |         |  |           |  |                 |  |              |  |
|  | 3 PLACES  | ±                      | ±     |         |  |           |  |                 |  |              |  |
|  | 2 PLACES  | ±                      | ±     |         |  |           |  |                 |  |              |  |
|  | 1 PLACE   | ±                      | ±     |         |  |           |  |                 |  |              |  |
|  | 0 PLACES  | ±                      | ±     |         |  |           |  |                 |  |              |  |
|  | ANGULAR TOL   | ± 0.5°                 |       |         |  |           |  |                 |  |              |  |
| DRAFT WHERE APPLICABLE MUST REMAIN WITHIN DIMENSIONS |   | THIRD ANGLE PROJECTION |       | DRAWING |  | SERIES    |  | MATERIAL NUMBER |  | CUSTOMER     |  |
|  |   | C-SIZE                 |       | 73415   |  | SEE TABLE |  |                 |  | SHEET NUMBER |  |



MCX JACK PCB 75 OHM  
 MCX-J/PCB, EWR-14467

PRODUCT CUSTOMER DRAWING

|                 |          |          |          |
|-----------------|----------|----------|----------|
| DOCUMENT NUMBER | DOC TYPE | DOC PART | REVISION |
| SD-73415-351    | PSD      | 001      | A1       |