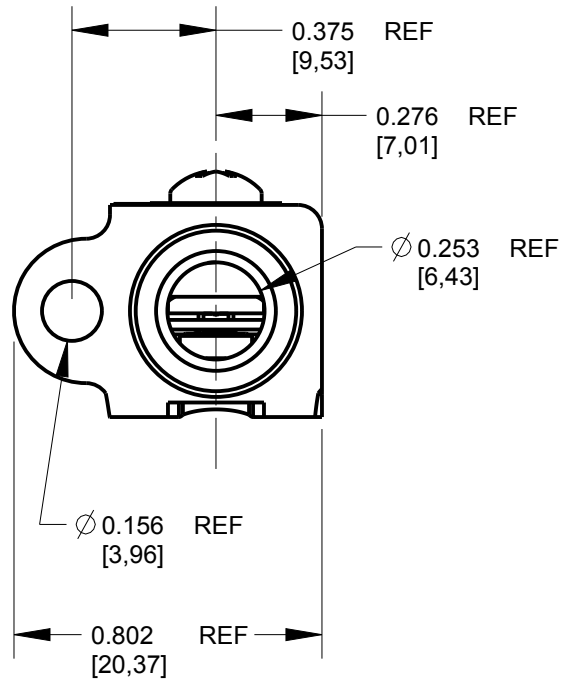
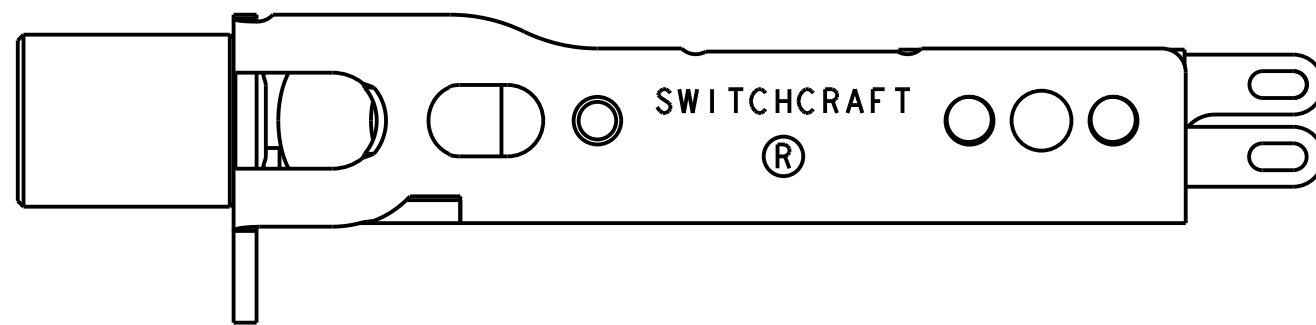
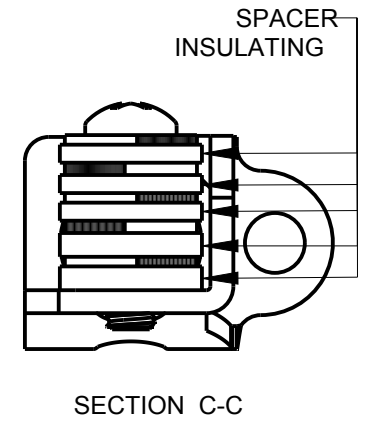
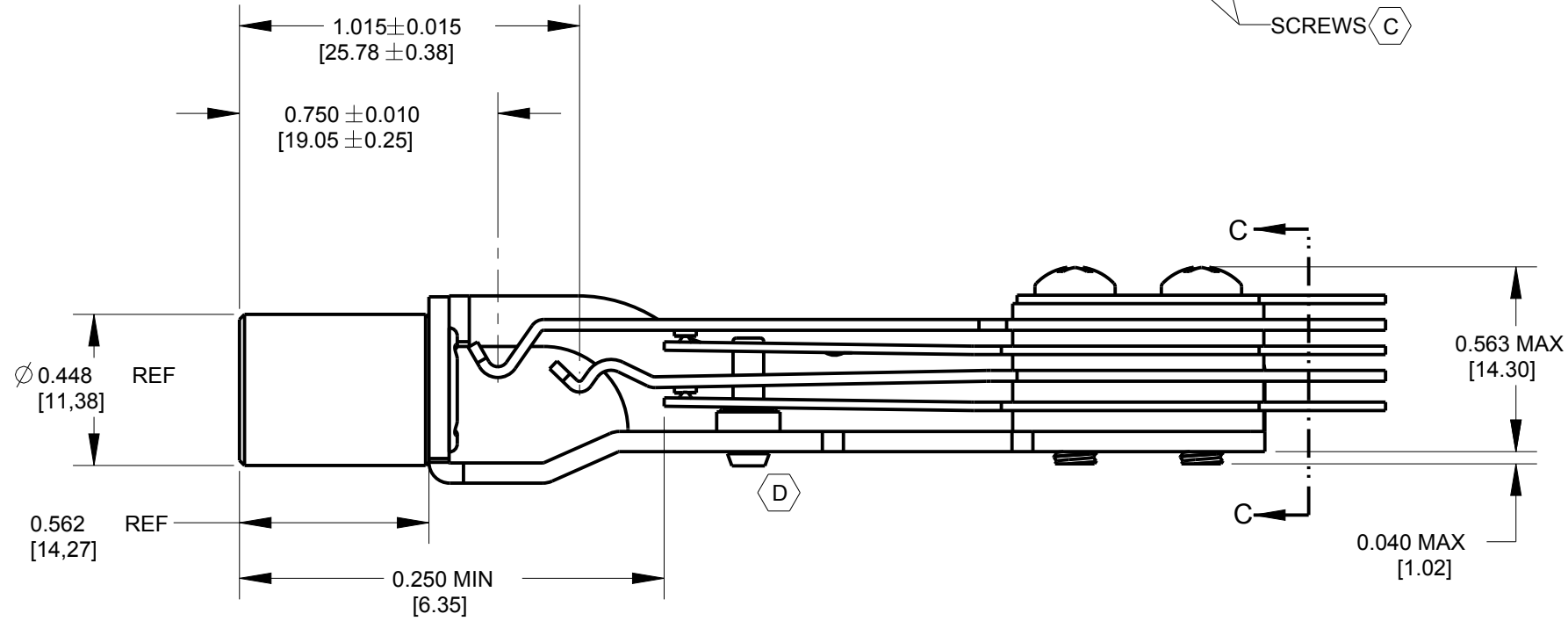
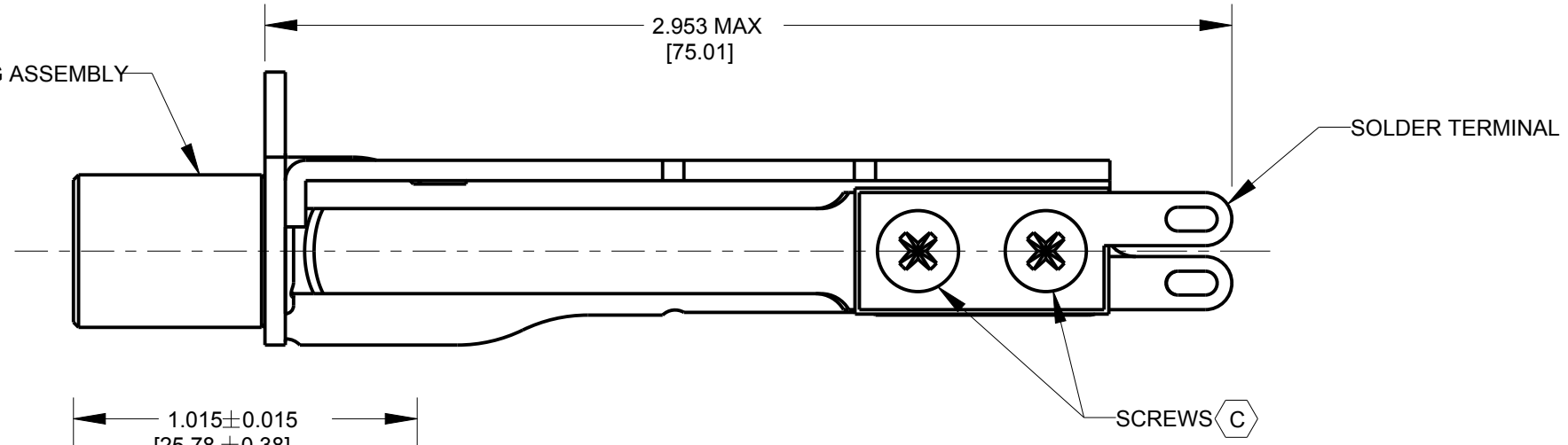


SCALE 1:1



FRAME AND BUSHING ASSEMBLY



NOTES:

- MATES WITH PJ-051 PLUG.
- MATERIALS:
 FRAME - STEEL, NICKEL PLATED
 BUSHING - BRASS, NICKEL PLATED
 SPRINGS - NICKEL SILVER, SPRING TEMPERED
 CONTACTS - WELDED CROSS BAR, PALLADIUM
 SPACERS - PHENOLIC
 LIFTER & TUBING - THERMOPLASTIC
 TERMINALS - HOT TIN DIPPED, LEAD FREE SOLDER
 SCREWS - STEEL, NICKEL PLATED
- THIS PRODUCT IS RoHS COMPLIANT.
 (NOT MILITARY APPROVED)

CUSTOMER DRAWING

					★ STAR SYMBOL DENOTES CRITICAL DIMENSION	THIS DRAWING DESCRIBES A DESIGN CONSIDERED PROPRIETARY IN NATURE, DEVELOPED AND MANUFACTURED BY SWITCHCRAFT INC. AND IS RELEASED ON A CONFIDENTIAL BASIS FOR IDENTIFICATION PURPOSES ONLY.				
					UNLESS OTHERWISE SPECIFIED	SIZE	WIDTH	MULT	LBS/M	TEMPER
					1. ALL DIMENSIONS IN INCHES - TWO PLACE DECIMALS ±0.01 - THREE PLACE DECIMALS ±0.005 - ANGLES ±1° - ALL DIA. CONCENTRIC WITHIN 0.005 T.I.R.	FINISH		MATERIAL		
					2. FEATURES ON THE SAME CENTERLINE MUST BE ALIGNED WITHIN ±0.002	SPEC No.		SPEC No.		
					3. REMOVE ALL BURRS	FIRST USED ON		SCALE 2:1		
					DO NOT SCALE DRAWING	DATE DRAWN	BY	CHKD	APVD	
						30-Aug-10	TO	TO	TJK	
								8-30-10	9-5-10	
						NAME			PART No.	
						TELEPHONE JACK			MT334BX	
						SOLDER TERMINAL, RoHS			REV D	

REV	ECO NUMBER	DATE	BY	APVD
D	28156	4/10/19	TJK	TJK
C	27161	05-30-13	PC	TJK
B	26449	9-16-09	TO	TJK
A	25269	1-26-06	TO	TJK

DO NOT SCALE DRAWING

