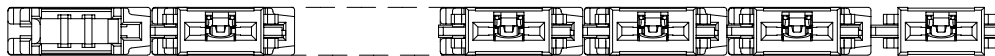
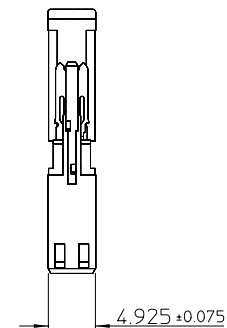
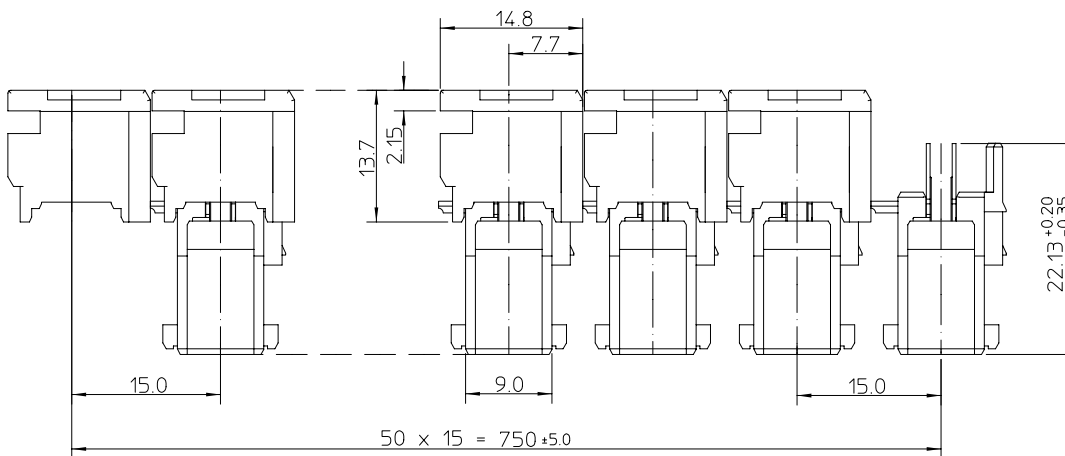
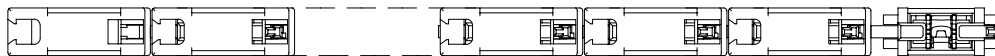
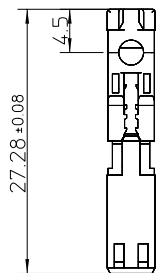


PART NO. SD-91338-006
DWG. NO. SD-91338-006



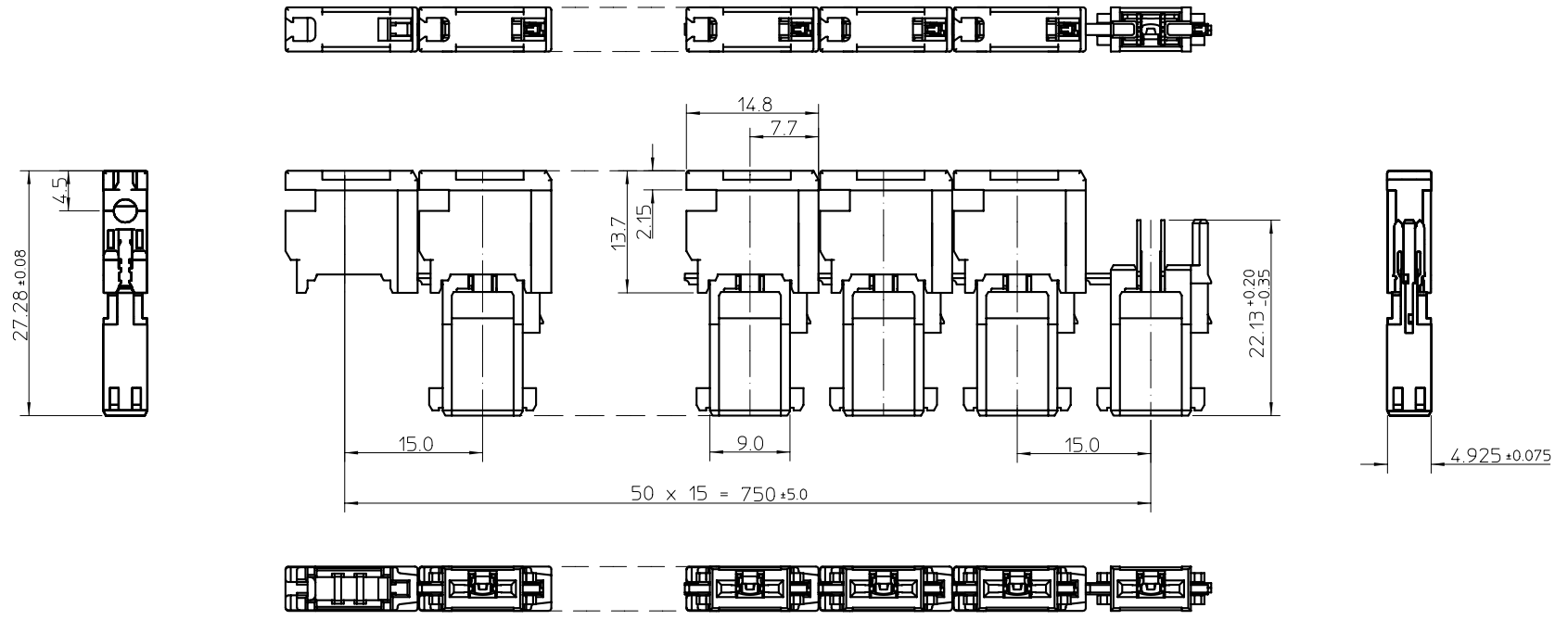
NOTES:

- MATERIALS:
HOUSING: POLYAMIDE (PA66) UL 94V-2
COLOUR: SEE TABLE
TERMINAL: PHOSPHOR BRONZE, 0.4 REF THICK
- FINISHES: TERMINAL- 5µm MIN PURE Sn ALL OVER
- PRODUCT CONFORMS TO SPECIFICATION PS-99020-0037
- NO. OF CONNECTORS PER TRAY: 2400
NO. OF CONNECTORS PER BOX: 7200

PART NO.	COLOUR
91338-1001	NATURAL
91338-1002	BLUE
91338-1003	GREY
91338-1004	YELLOW
91338-1005	GREEN
91338-1006	BLACK
91338-1007	ORANGE

original release EC No. E1999-0639 DRWN: LK 28/06/99 CHK: APPR:	QUALITY SYMBOLS MAJOR CRITICAL C	GENERAL TOLERANCES: (UNLESS SPECIFIED)		SCALE 2:1	DESIGN UNITS <input checked="" type="checkbox"/> mm <input type="checkbox"/> INCH	<input type="checkbox"/> mm <input type="checkbox"/> INCH <input checked="" type="checkbox"/> mm ONLY	SHT	REV	
		4 PLACES ±---	±---	DRAWN BY & DATE ccnlon 99/06/28	TITLE RAST 5 1CCT INDIRECT FEMALE				
		3 PLACES ±---	±---	CHECKED BY & DATE P.WHITE 99/06/28	MATERIAL NO. DRAWING NO. SEE CHART SD-91338-006				
		2 PLACES ±0.05	±---	APPROVED BY & DATE MWILHITE 1/07/99	SHEET NO. 1 of 1				
1 PLACE ±0.10	±---	ANGULAR: ± 1/2°	CAD FILENAME		MATERIAL NO. DRAWING NO. SEE CHART SD-91338-006			SIZE B	
DRAFT WHERE APPLICABLE MUST REMAIN WITHIN DIMENSIONS		THIS DRAWING CONTAINS INFORMATION THAT IS PROPRIETARY TO MOLEX INCORPORATED AND SHOULD NOT BE USED WITHOUT WRITTEN PERMISSION.							

PART NO. SD-91338-006
DWG. NO. SD-91338-006



- NOTES:
- MATERIALS:
HOUSING: POLYAMIDE (PA66) UL 94V-2
COLOUR: SEE TABLE
TERMINAL: PHOSPHOR BRONZE, 0.4 REF THICK
 - FINISHES: TERMINAL- 5µm MIN PURE Sn ALL OVER
 - PRODUCT CONFORMS TO SPECIFICATION PS-99020-0037
 - NO. OF CONNECTORS PER TRAY: 2400
NO. OF CONNECTORS PER BOX: 7200

PART NO.	COLOUR
91338-1001	NATURAL
91338-1002	BLUE
91338-1003	GREY
91338-1004	YELLOW
91338-1005	GREEN
91338-1006	BLACK
91338-1007	ORANGE

original release EC No. E1999-0639 DRWN: LK 28/06/99 CHK: APPR:	QUALITY SYMBOLS MAJOR CRITICAL	GENERAL TOLERANCES: (UNLESS SPECIFIED)		SCALE 2:1	DESIGN UNITS <input checked="" type="checkbox"/> mm <input type="checkbox"/> INCH	THIRD ANGLE PROJECTION	DIMENSIONS: <input type="checkbox"/> mm <input type="checkbox"/> INCH <input checked="" type="checkbox"/> mm ONLY		SHT	REV								
		4 PLACES ±---	3 PLACES ±---	2 PLACES ±0.05	1 PLACE ±0.10		ANGULAR: ± 1/2°	DRAWN BY & DATE ccconlon 99/06/28		CHECKED BY & DATE P.WHITE 99/06/28		APPROVED BY & DATE MWILHITE 1/07/99		CAD FILENAME		MATERIAL NO. SEE CHART		DRAWING NO. SD-91338-006
DRAFT WHERE APPLICABLE MUST REMAIN WITHIN DIMENSIONS		THIS DRAWING CONTAINS INFORMATION THAT IS PROPRIETARY TO MOLEX INCORPORATED AND SHOULD NOT BE USED WITHOUT WRITTEN PERMISSION.										SIZE B						

TITLE:
**RAST 5 1CCT 10A INDIRECT
FEMALE**

MOLEX INCORPORATED