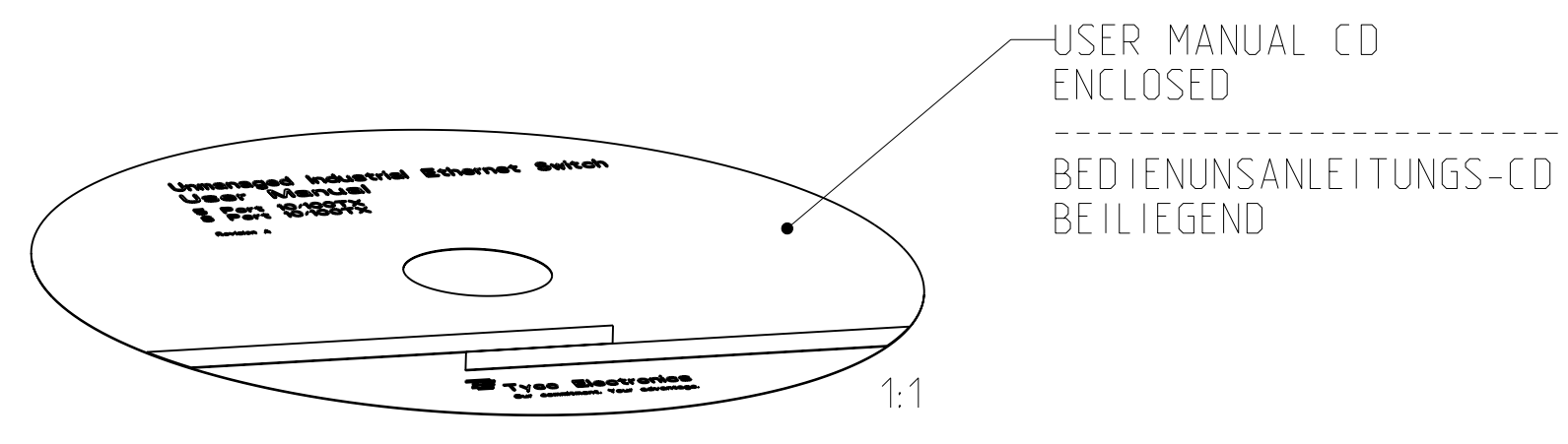
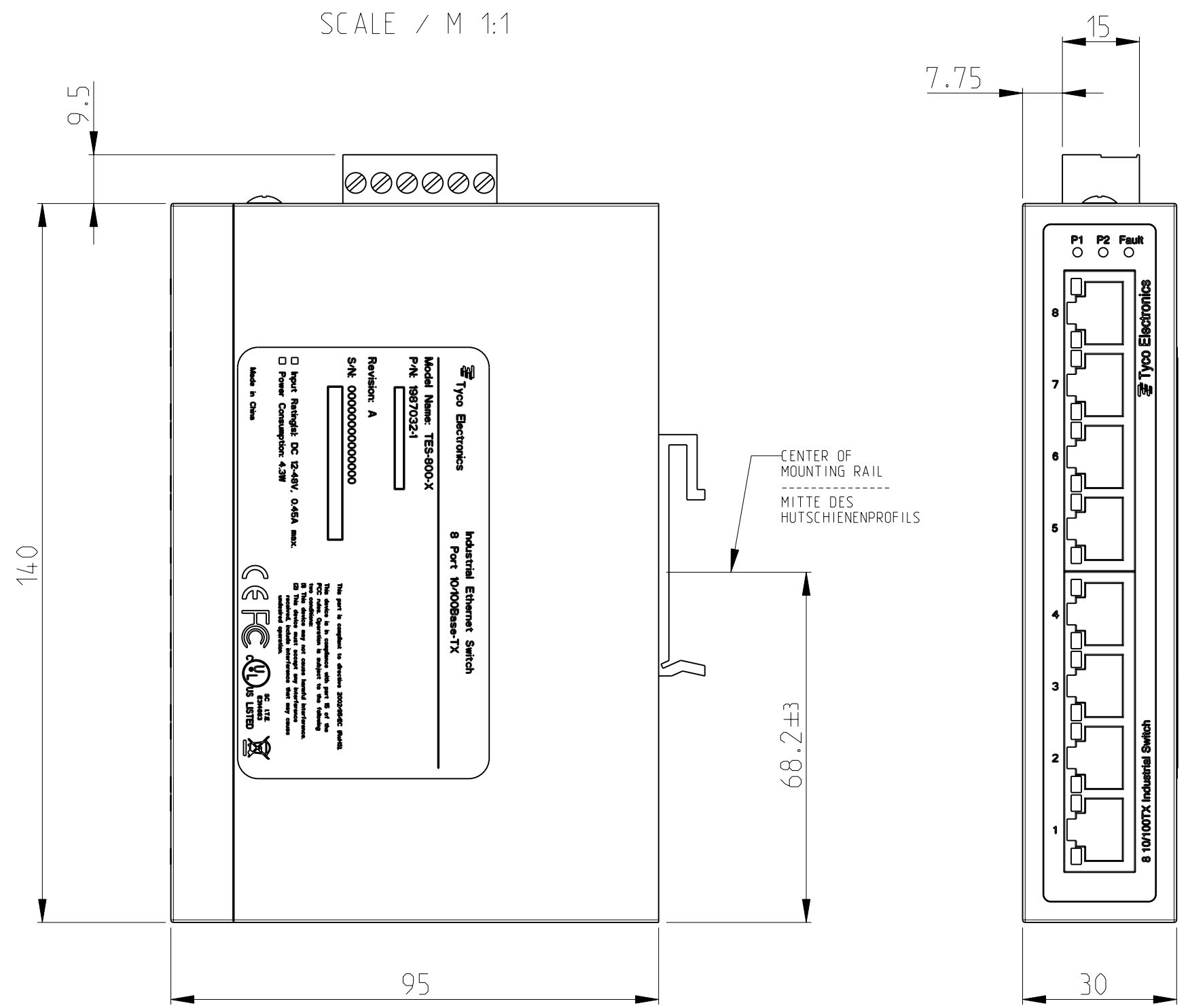


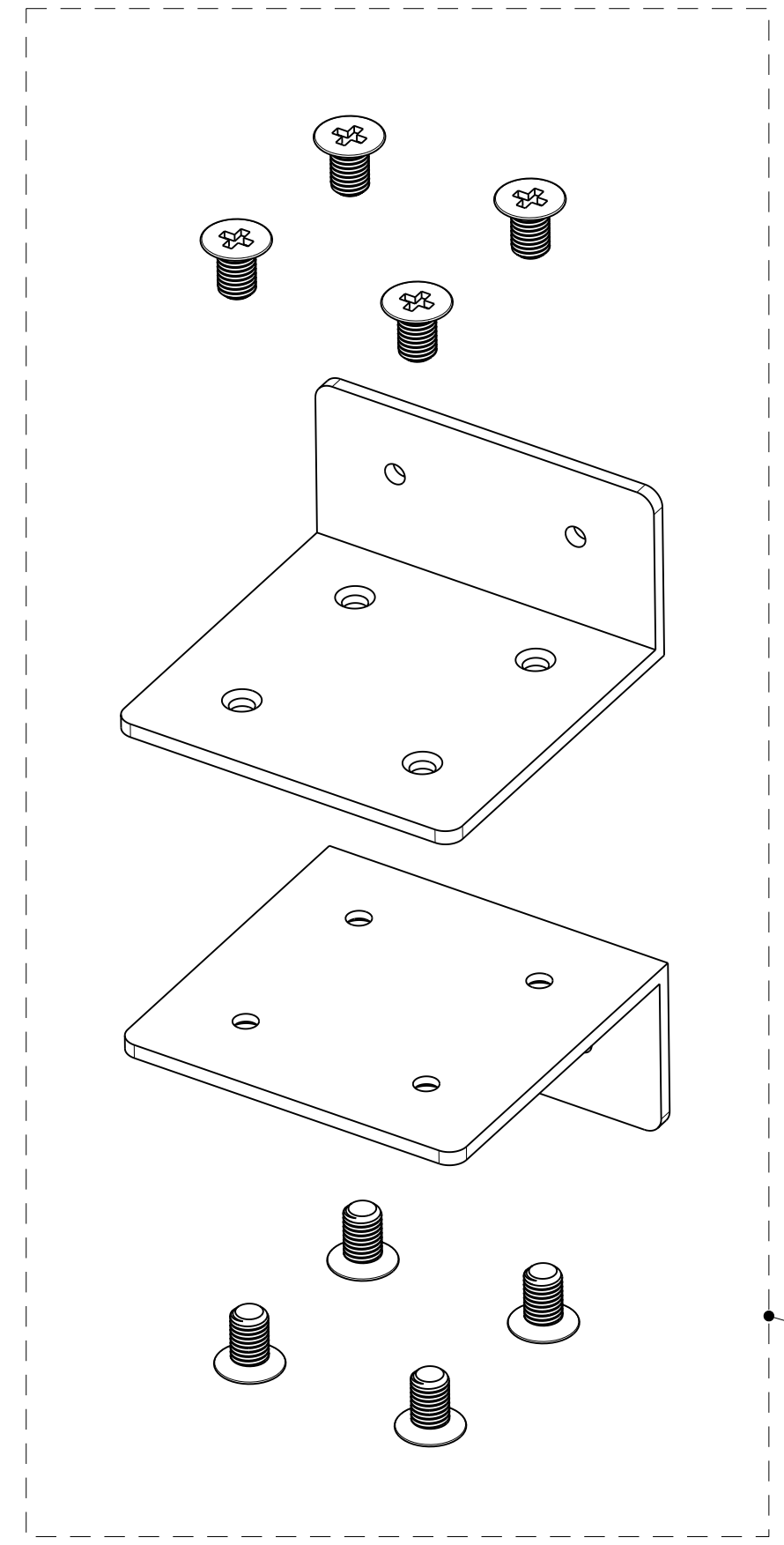
| LOC                    | DIST | REV | DATE                                | BY  | CHK | APPV |
|------------------------|------|-----|-------------------------------------|-----|-----|------|
| A1                     | -    | 1   | 05 JUN 2007                         | STO | RK  |      |
| PROJECT NO. EG0MP06058 |      | A1  | NEW DRAWING PUBLISHED               |     |     |      |
|                        |      | A2  | SEE PCN E-07-014454                 |     |     |      |
|                        |      | A3  | DRAWING CHANGED PER PCN E-07-015934 |     |     |      |
|                        |      | A4  | REV. PER PCN E-08-009570            |     |     |      |

1987032-1 AS SHOWN

SCALE / M 1:1

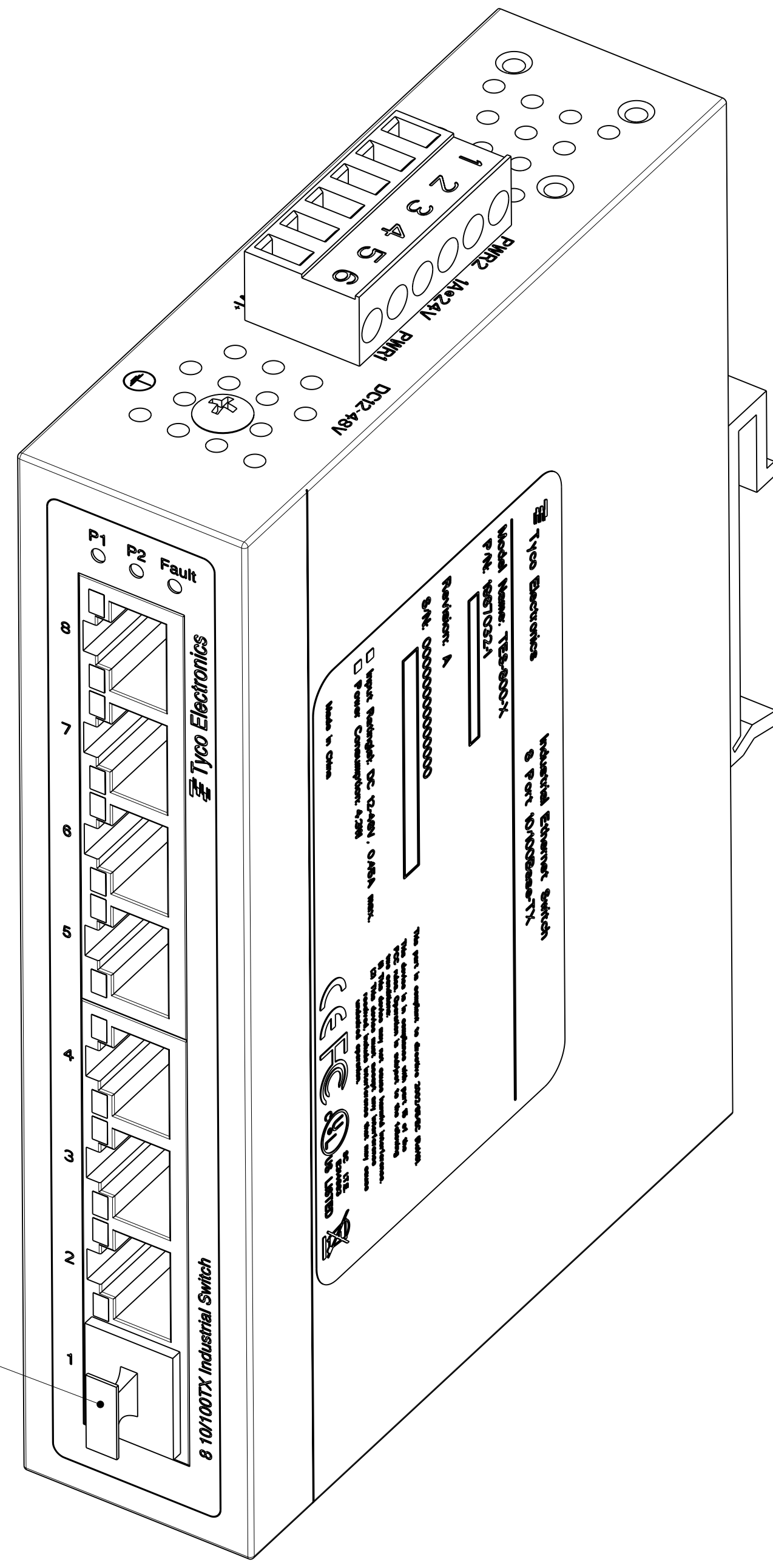


| HARDWARE SPECIFICATION |                              |   |
|------------------------|------------------------------|---|
| 1                      | ETHERNET STANDARD COMPLIANCE | IEEE 802.3 - 10BASE-T<br>IEEE 802.3u - 100BASE-TX<br>IEEE 802.3x - FLOW CONTROL AND BACK PRESSURE   |
| 2                      | SWITCH ARCHITECTURE          | STORE-AND-FORWARD SWITCHING ARCHITECTURE<br>BACK-PLANE (SWITCHING FABRIC): 1.6Gbps<br>PACKET THROUGHPUT ABILITY (FULL DUPLEX): 2.38Mbps @ 64bytes |
| 3                      | TRANSFER RATE                | 10BASE-T PORT: 14 880pps<br>100BASE-TX PORT: 148 800pps   |
| 4                      | MAC ADDRESS                  | 1K MAC ADDRESS TABLE  |
| 5                      | ETHERNET PORTS               | 8x 10/100TX RJ-45<br>AUTO MDI/MDI-X SUPPORT   |
| 6                      | LED                          | PER UNIT: POWER 1 (GREEN), POWER 2 (GREEN), FAULT (RED)<br>PER PORT: LINK/ACTIVE (GREEN), FULL DUPLEX/COLLISION (YELLOW)                          |
| 7                      | POWER SUPPLY                 | WIDE RANGE SUPPLY: 12 TO 48 V DC<br>REVERSE POLARITY PROTECTED<br>OVERLOAD CURRENT PROTECTED (RE-SETTABLE FUSE)                                   |
| 8                      | POWER CONSUMPTION            | 4.3 WATTS   |



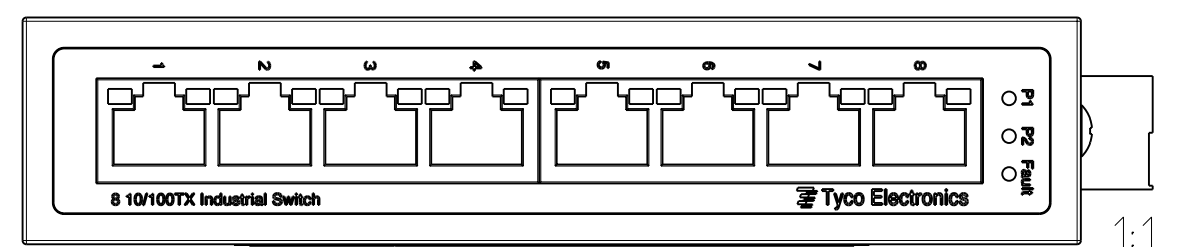
WALL MOUNTING KIT  
 ENCLOSED  
 W ANDMONTAGE-BAUSATZ  
 BEILIEGEND

DUST COVER  
 FOR RJ45 PORT  
 8 x ENCLOSED  
 STAUBSCHUTZKAPPE  
 FUER RJ45-EINGANG  
 8 x BEILIEGEND

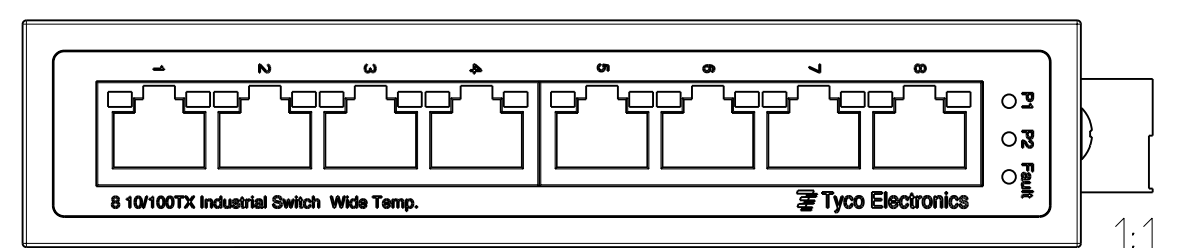


1987032-1 AS SHOWN

FRONT PANEL 1987032-1



FRONT PANEL 1987032-2



| 1987032-2 | 1987032-1 | QUANTITY<br>STUECK | ITEM NO.<br>POS. | DESCRIPTION<br>BENENNUNG  |
|-----------|-----------|--------------------|------------------|---|
| 1         | -         | 2                  |                  | 8 10/100TX SWITCH TES-800-XE<br>WIDE OPERATING TEMPERATURE RANGE -40 °C TO 75 °C    |
| -         | 1         | 1                  |                  | 8 10/100TX SWITCH TES-800-X<br>STANDARD OPERATING TEMPERATURE RANGE -10 °C TO 60 °C |

TYCO ELECTRONICS  
 ORDER NO.  
 BESTELL-NR.

|                                      |   |                             |   |   |
|--------------------------------------|---|-----------------------------|---|---|
| DIMENSIONS<br>MASSENEIEN:<br>(mm)    | TOLERANCES, UNLESS<br>OTHERWISE SPECIFIED:<br>ALLGEMEINTOLERANZEN | DWN<br>S.STOLZ<br>05JUN2007 | NAME<br>P.KRAEMER<br>05JUN2007                        | Tyco Electronics AMP GmbH<br>64625 Bensheim (Germany) |
| MATERIAL<br>-                        | FINISH/BELEG/FARBE<br>-   | WEIGHT<br>GEWICHT<br>440 g  | DRAWING NO.<br>ZEICHNUNG-NR.<br>A1 00779<br>C=1987032 | RESTRICTED TO<br>NUR FUER<br>-                        |
| CUSTOMER DRAWING<br>/KUNDENZEICHNUNG |   | SCALE<br>MASSSTAB<br>2:1    |   | SHEET<br>BLATT<br>1 OF<br>VON 1                       |