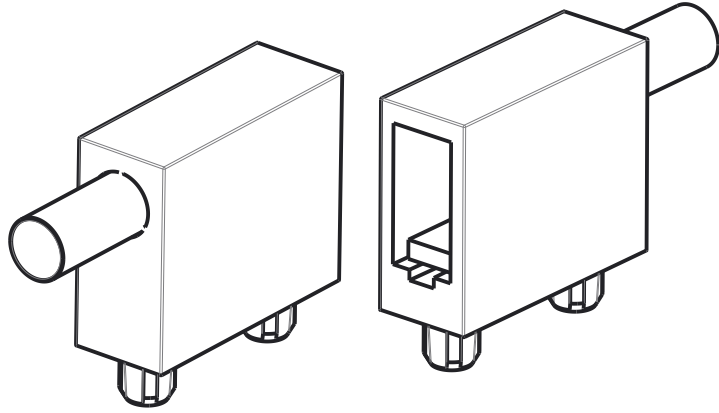
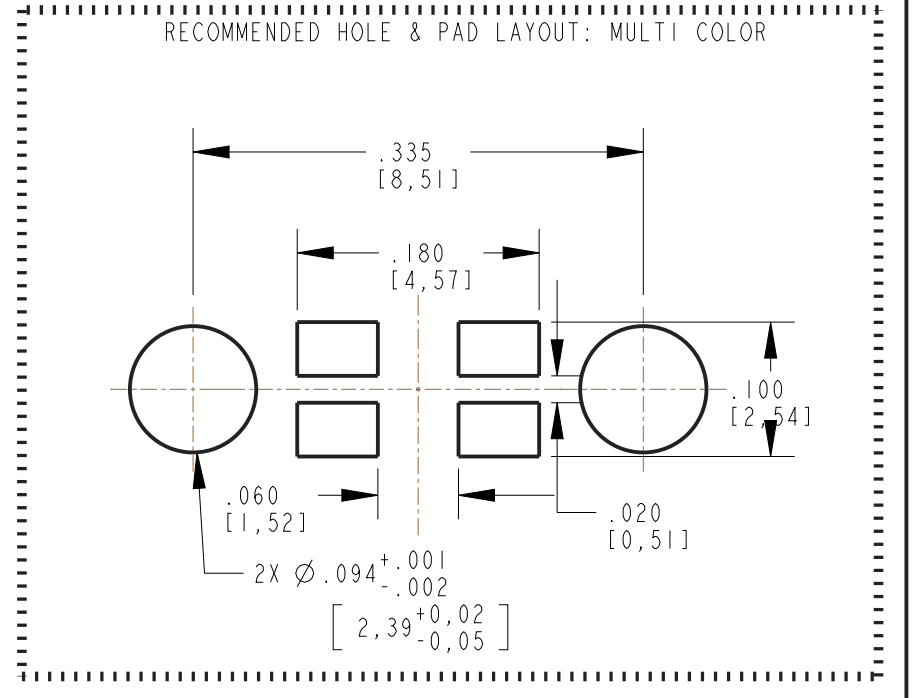
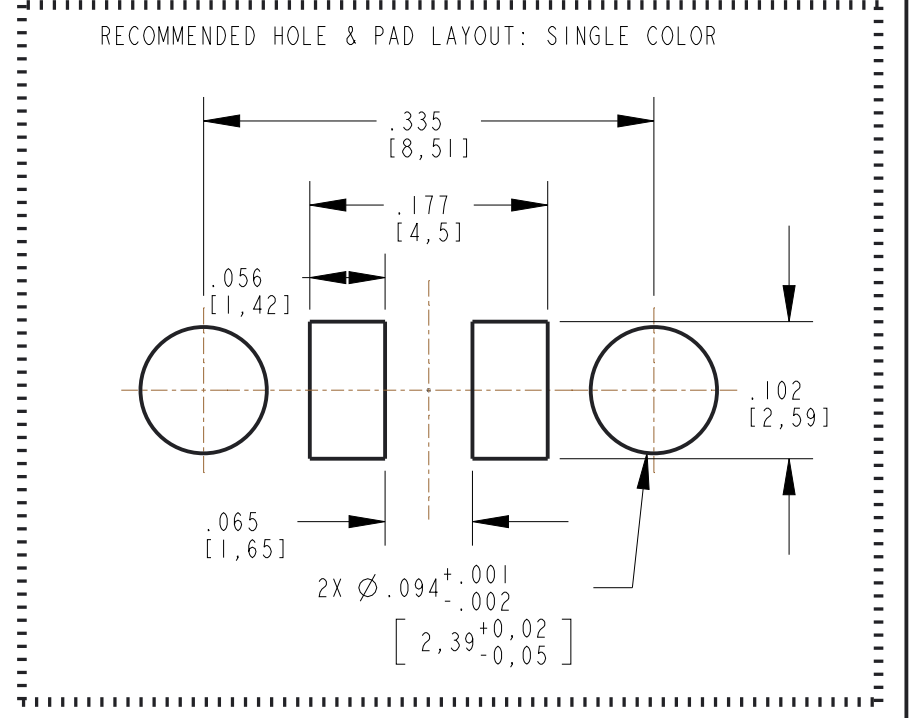
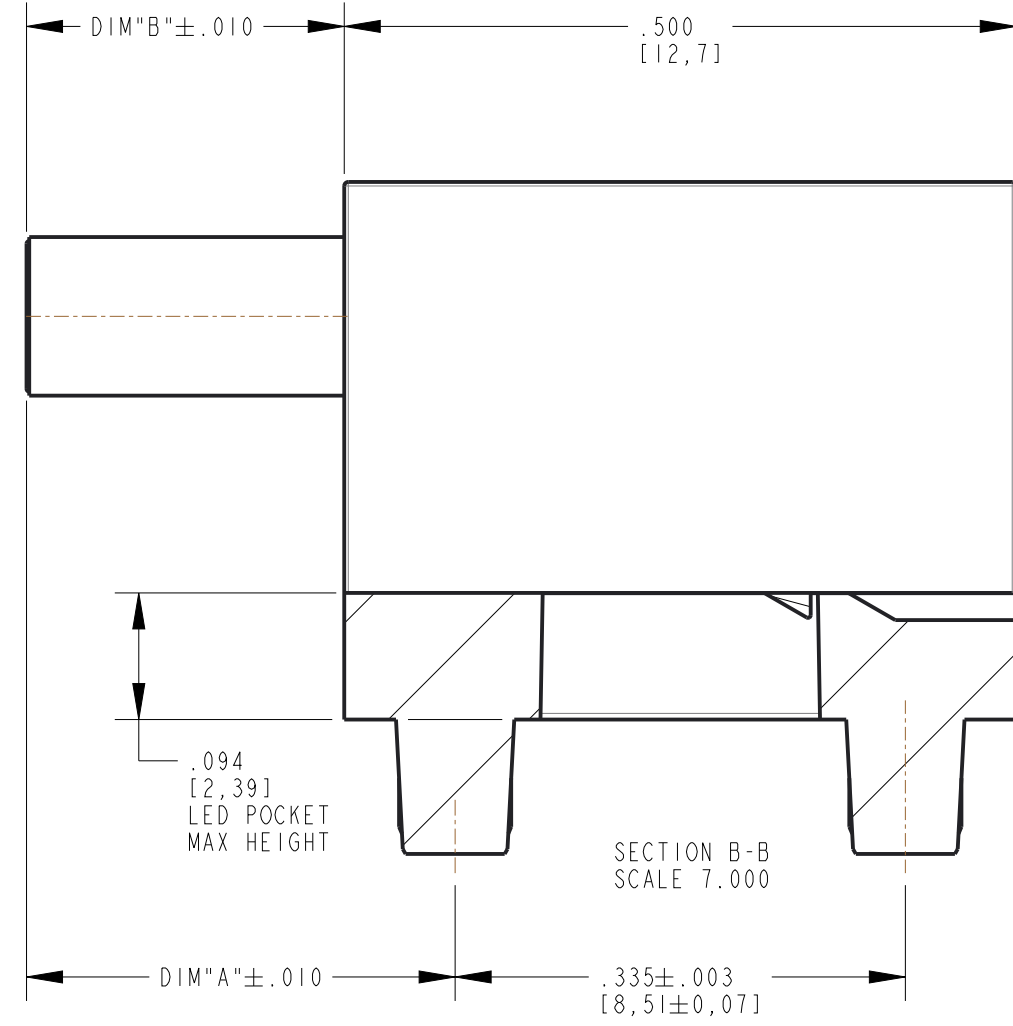
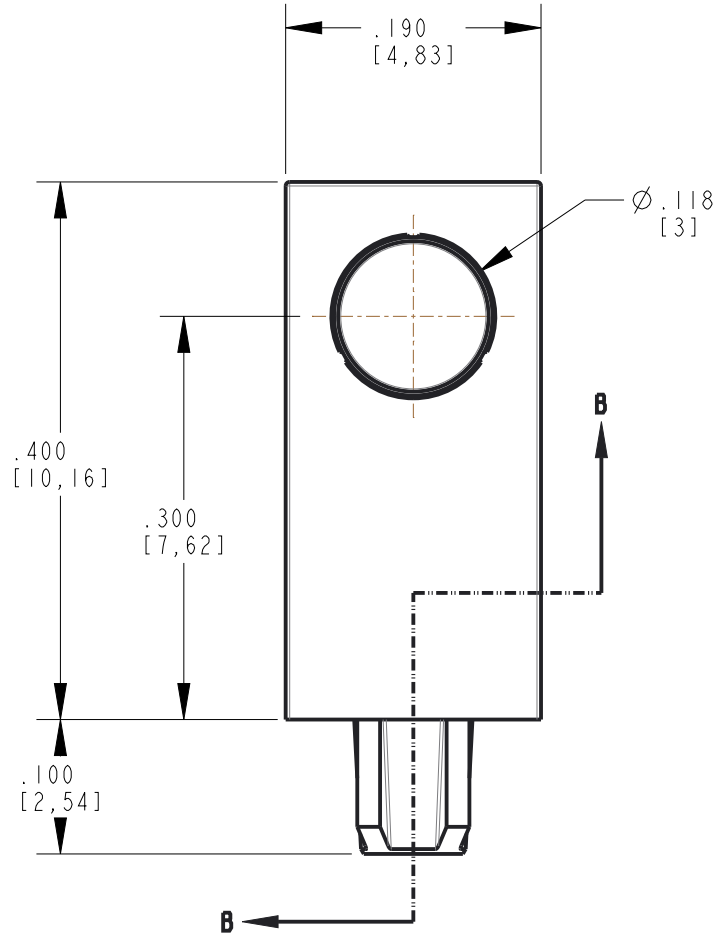


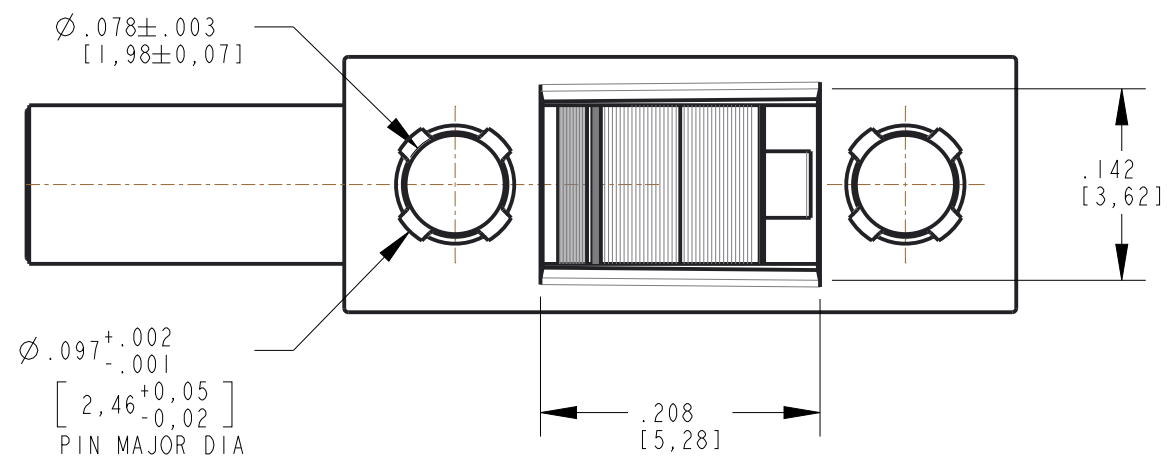
PART NUMBER	DIM "A" in [mm]	DIM "B" in [mm]
515-1252-0319F	.319 [8,10]	.237 [6,01]
515-1252-0590F	.590 [15,00]	.508 [12,90]
515-1252-1181F	1.181 [30,00]	1.099 [27,91]
515-1252-1772F	1.772 [45,00]	1.690 [42,93]

NOTES:
 1. THIS PRODUCT IS RoHS COMPLIANT. EACH BAG IS MARKED WITH RoHS COMPLIANT OR EQUIVALENT MARKINGS.
 2. SUGGEST PAD LAYOUT FOR SM PLLC 2 AND PLCC-4 LEADS.
 3. SUGGESTED LEDs:
 597-3XXX-207F/NF, 598-8BX0-107F,
 BI-COLOR: 597-77XX-207F, 007F
 TRI-COLOR: 597-77XX-007F, 907F

REV	REVISIONS	DRN	CKD	APP	QA	CM	DATE
A	NEW RELEASE	LD					



SCALE 3.000



THIS DRAWING AND THE CONTENTS HEREIN ARE CONFIDENTIAL AND THE SOLE PROPERTY OF DIALIGHT CORP. REPRODUCTION OF THIS DRAWING OR CONSTRUCTION OF ANY PARTS WITHIN THIS DRAWING ARE FORBIDDEN WITHOUT THE WRITTEN CONSENT OF DIALIGHT CORP.

DIALIGHT CORP INTERNAL REFERENCE ONLY = 3D MODEL : 5151252XXXXF-A.18

SCALE: 7.000	DRAWING NUMBER	REV
ALL DIM's: INCH (mm)	C-18533	A
TOLERANCES: UNLESS OTHERWISE SPECIFIED	TITLE	
FRACTIONS: ±1/64	VARIABLE LP ASSEMBLY .300" HEIGHT	
DECIMALS (.XX): ±.01	MATERIAL	
DECIMALS (.XXX): ±.005	-	
DECIMALS (.XXXX): ±.0005	FINISH	
ANGLES: ±1°	-	
FSCM 83330	Dialight 1501 ROUTE 34 SOUTH FARMINGDALE, NJ 07727 (732) 919-3119 www.dialight.com	
	SHEET 1 OF 1	FAMILY TABLE: