



AK4497

Quality Oriented 32-Bit 2ch DAC

1. General Description

The AK4497 is a new generation Premium 32-bit 2ch DAC with VELVET SOUND™ technology, achieving industry's leading level low distortion characteristics and wide dynamic range. The AK4497 integrates a newly developed switched capacitor filter "OSR Doubler", making it capable of supporting wide range signals and achieving low out-of-band noise while realizing low power consumption. Moreover, the AK4497 has six types of 32-bit digital filters, realizing simple and flexible sound tuning in wide range of applications. The AK4497 accepts up to 768kHz PCM data and 22.4MHz DSD data, ideal for a high-resolution audio source playback that are becoming widespread in network audios and USB-DACs.

Application: AV Receivers, CD/SACD player, Network Audios, USB DACs, USB Headphones, Sound Plates/Bars, Measurement Equipment, Control Systems, Public Audios (PA), IC-Recorders, Bluetooth Headphones, HD Audio/Voice Conference Systems

2. Features

- THD+N: -116dB
- DR, S/N: 131dB (2.6 Vrms Output)
128dB (2 Vrms Output)
- 256 Times Over Sampling
- Sampling Rate: 8kHz ~ 768kHz
- 32-bit 8x Digital Filter
 - Short Delay Sharp Roll-off, GD=6.0/fs,
Ripple: ± 0.005 dB, Attenuation: 100dB
 - Short Delay Slow Roll-off, GD=5.0/fs
 - Sharp Roll-off
 - Slow Roll-off
 - Low-dispersion Short Delay Filter
 - Super Slow Roll-off
- 2.8MHz, 5.6MHz, 11.2MHz, 22.4MHz DSD Input Support
 - Filter1 (fc=39kHz, 2.8MHz mode), Filter2 (fc=76kHz, 2.8MHz mode)
- Digital De-emphasis for 32, 44.1, 48kHz sampling
- Soft Mute
- Digital Attenuator (255 levels and 0.5dB step + mute)
- Mono Mode
- External Digital Filter Interface
- Audio I/F Format: 24/32 bit MSB justified, 16/20/24/32 bit LSB justified, I²S, DSD, TDM
- Master Clock
 - 8kHz ~ 32kHz: 256fs or 384fs or 512fs or 768fs or 1152fs
 - 8kHz ~ 54kHz: 256fs or 384fs or 512fs or 768fs
 - 8kHz ~ 108kHz: 256fs or 384fs
 - 108kHz ~ 216kHz: 128fs or 192fs
~ 384kHz: 32fs or 48fs or 64fs or 96fs
~ 768kHz: 16fs or 32fs or 48fs or 64fs
- Power Supply:
 - TVDD=AVDD= 3.0 ~ 3.6V (by Internal LDO), VDDL/R= 4.75 ~ 5.25V
 - TVDD=AVDD= 1.7 ~ 3.6V (by external supply), DVDD=1.7 ~ 1.98V,
VDDL/R= 4.75 ~ 5.25V
- Digital Input Level: CMOS
- Package: 64-pin TQFP



3. Table of Contents

1.	General Description	1
2.	Features	1
3.	Table of Contents.....	2
4.	Block Diagram.....	4
5.	Pin Configurations and Functions.....	5
	■ Pin Configurations.....	5
	■ Pin Functions	6
	■ Handling of Unused Pin	8
6.	Absolute Maximum Ratings	10
7.	Recommended Operating Conditions	10
8.	Electrical Characteristics	11
	■ Analog Characteristics	11
	■ DSD Mode.....	13
	■ Sharp Roll-Off Filter Characteristics	14
	■ Slow Roll-Off Filter Characteristics	16
	■ Short Delay Sharp Roll-Off Filter Characteristics	18
	■ Short Delay Slow Roll-Off Filter Characteristics	20
	■ Low-dispersion Short Delay Filter Characteristics.....	22
	■ DSD Filter Characteristics.....	24
	■ DC Characteristics	24
	■ Switching Characteristics	25
	■ Timing Diagram.....	30
9.	Functional Descriptions.....	35
	■ D/A Conversion Mode (PCM Mode, DSD Mode, EXDP Mode)	37
	■ D/A Conversion Mode Switching Timing	37
	■ System Clock	39
	■ Audio Interface Format	49
	■ Digital Filter	61
	■ De-emphasis Filter (PCM Mode)	62
	■ Output Volume (PCM Mode, DSD Mode, EXDF Mode).....	62
	■ Gain Adjustment Function (PCM Mode, DSD Mode, EXDF Mode)	63
	■ Zero Detection (PCM Mode, DSD Mode, EXDF Mode)	64
	■ L/R Channel Output Signal Select, Phase Inversion Function (PCM Mode, DSD Mode, EXDF Mode)	65
	■ Sound Quality (PCM Mode, DSD Mode, EXDF Mode)	65
	■ DSD Signal Full Scale (FS) Detection	66
	■ Soft Mute Operation (PCM Mode, DSD Mode, EXDF Mode)	68
	■ LDO	69
	■ Shutdown Switch.....	69
	■ Over Current Protection for Analog Output Pins	69
	■ Power Up/Down Function	70
	■ Synchronize Function (PCM mode, EXDF mode).....	78
	■ Register Control Interface	80
	■ Register Map.....	86
	■ Register Definitions	88
10.	Recommended External Circuits	97
11.	Package	101
	■ Outline Dimensions	101
	■ Material & Lead Finish	102
	■ Marking.....	102
12.	Ordering Guide	103

■ Ordering Guide..... 103
13. Revision History 103
IMPORTANT NOTICE..... 104

4. Block Diagram

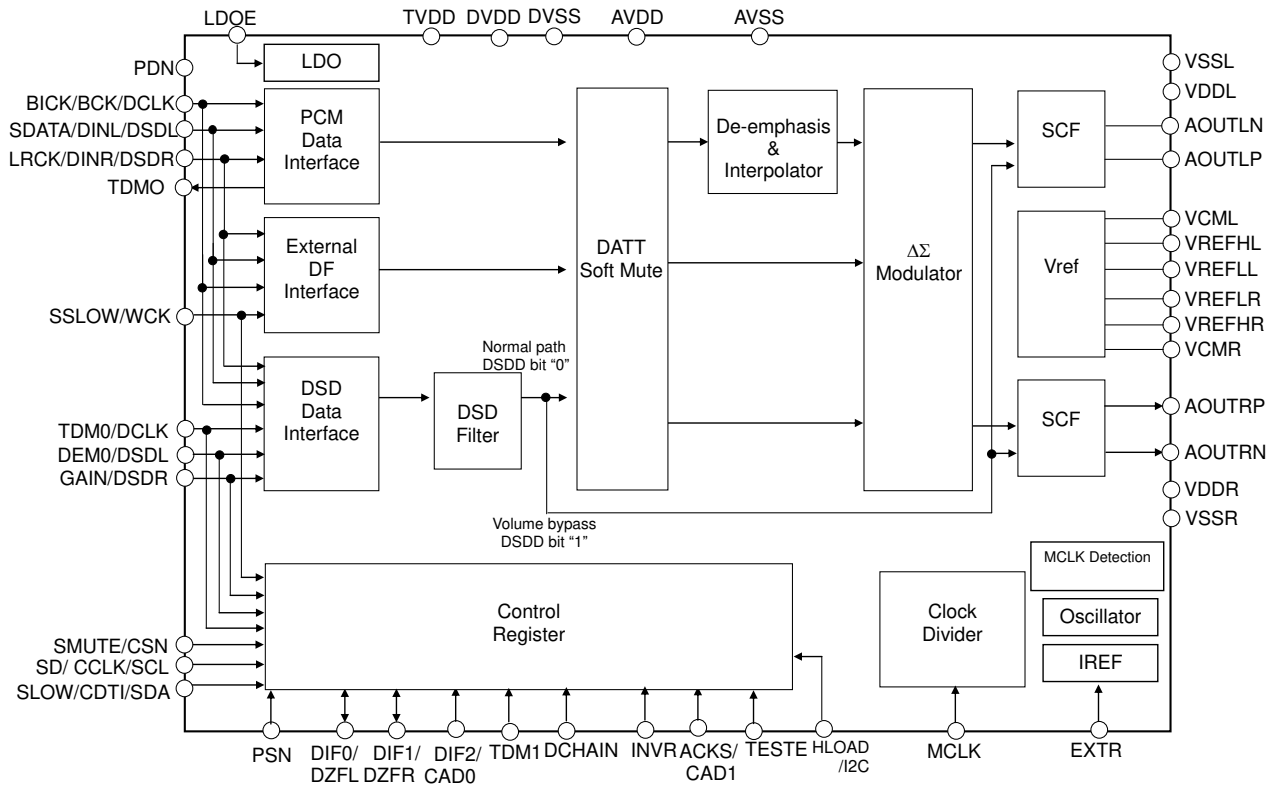


Figure 1. Block Diagram

5. Pin Configurations and Functions

■ Pin Configurations

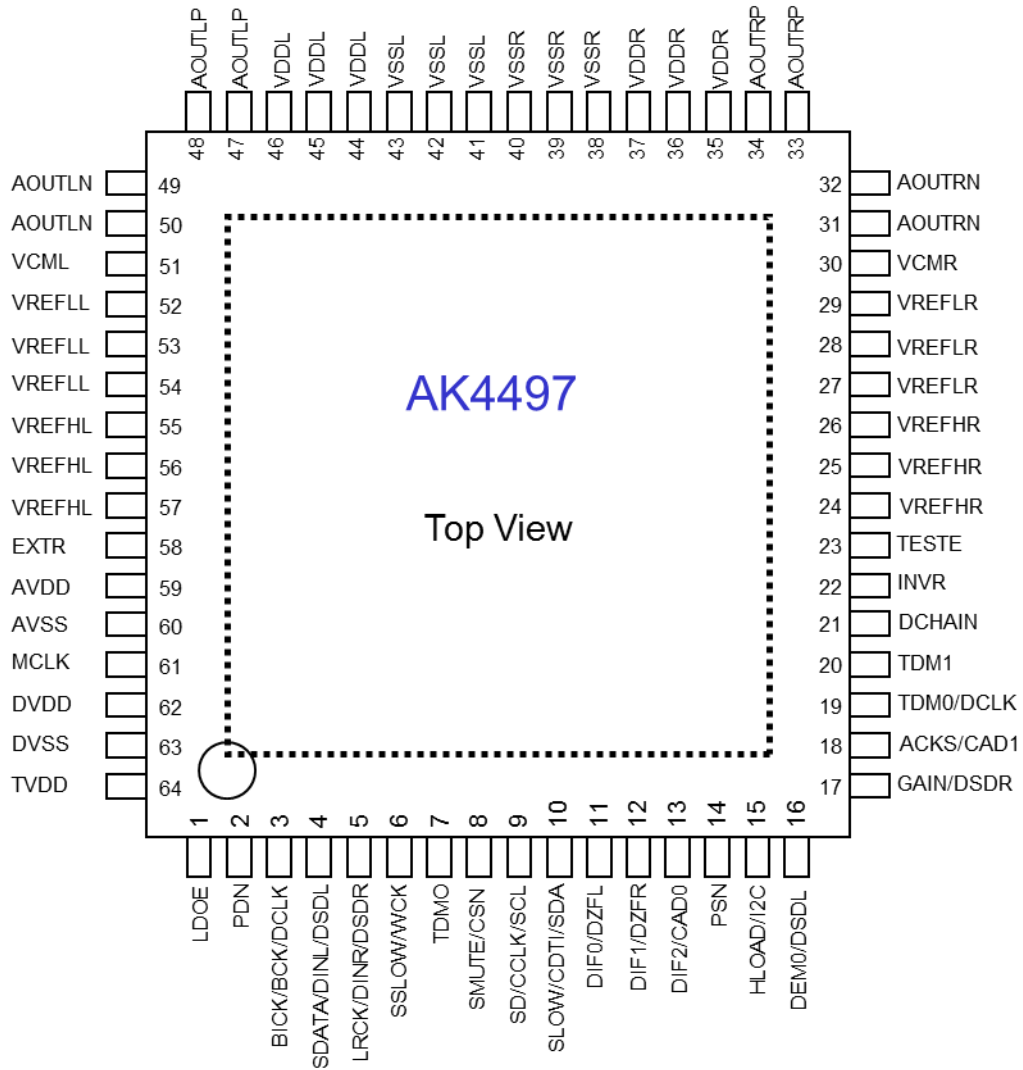


Figure 2. Pin Configurations

The exposed pad on the bottom surface of the package must be connected to AVSS.

■ Pin Functions

No.	Pin Name	I/O	Function
1	LDOE	I	Internal LDO Enable Pin. "L": Disable, "H": Enable
2	PDN	I	Power-Down Mode Pin When at "L", the AK4497 is in power-down mode and is held in reset. The AK4497 must always be reset upon power-up.
3	BICK	I	Audio Serial Data Clock Pin in PCM Mode
	BCK	I	Audio Serial Data Clock Pin
	DCLK	I	DSD Clock Pin in DSD Mode (DSDPATH bit = "1")
4	SDATA	I	Audio Serial Data Input Pin in PCM Mode
	DINL	I	Lch Audio Serial Data Input Pin
	DSDL	I	DSD Lch Data Input Pin in DSD Mode (DSDPATH bit = "1")
5	LRCK	I	L/R Clock Pin in PCM Mode
	DINR	I	Rch Audio Serial Data Input Pin
	DSDR	I	DSD Rch Data Input Pin in DSD Mode (DSDPATH bit = "1")
6	SSLOW	I	Digital Filter Select Pin in Pin Control Mode
	WCK	I	Word Clock input pin
7	TDMO	O	Audio Serial Data Onput in Daisy Chain mode (Internal pull-down pin)
8	SMUTE	I	When this pin is changed to "H", soft mute cycle is initiated. When returning "L", the output mute releases.
	CSN	I	Chip Select Pin in Register Control Mode
9	SD	I	Digital Filter Select Pin in Pin Control Mode
	CCLK	I	Control Data Clock Pin in Register Control Mode
	SCL	I	I2C="H": Control Data Clock Input Pin
10	SLOW	I	Digital Filter Select Pin in Pin Control Mode
	CDTI	I	Control Data Input Pin in Register Control Mode
	SDA	I/O	I2C="H": Control Data Input Pin
11	DIF0	I	Digital Input Format 0 Pin in Pin Control Mode
	DZFL	O	Lch Zero Input Detect Pin in Register Control Mode (Internal pull-down pin)
12	DIF1	I	Digital Input Format 1 Pin in Pin Control Mode
	DZFR	O	Rch Zero Input Detect Pin in Register Control Mode (Internal pull-down pin)
13	DIF2	I	Digital Input Format 2 Pin in Pin Control Mode
	CAD0	I	Chip Address 0 Pin in Register Control Mode
14	PSN	I	Pin Control Mode or RegisterControl Mode select Pin (Internal pull-up pin) "L": Register Control Mode, "H": Pin Control Mode
15	HLOAD	I	Heavy Load Mode Enable Pin in Pin Control Mode.
	I2C		Resister Control Interface Pin in Registerl Control Mode.
16	DEM0	I	De-emphasis Enable 0 Pin in Pin Control Mode
	DSDL	I	DSD Lch Data Input Pin in DSD Mode (DSDPATH bit ="0")
17	GAIN	I	Output Gain Control Pin in Pin Control Mode (+2.5dB)
	DSDR	I	DSD Rch Input Pin in DSD Mode (DSDPATH bit ="0")
18	ACKS	I	Auto Setting Mode Select Pin in Pin Control Mode "L": Manual Setting Mode, "H": Auto Setting Mode
	CAD1	I	Chip Address 1 Pin in Register Control Mode

No.	Pin Name	I/O	Function
19	TDM0	I	TDM Mode select pin in Pin Control Mode.
	DCLK	I	DSD clock Pin in DSD Mode (DSDPATH bit = "0")
20	TDM1	I	TDM Mode select pin in Pin Control Mode.
21	DCHAIN	I	Daisy Chain Mode select pin in Pin Control Mode.
22	INVR	I	Rch output data invert enable pin in Pin Control Mode.
23	TESTE	I	Test mode Enable pin. (Internal pull-down pin)
24-26	VREFHR	I	Rch High Level Voltage Reference Input Pin
27-29	VREFLR	I	Rch Low Level Voltage Reference Input Pin
30	VCMR	I	Right channel Common Voltage Pin, Normally connected to VREFLR with a 10uF electrolytic cap. This pin is inhibited to connect other devices.
31,32	AOUTRN	O	Rch Negative Analog Output Pin
33,34	AOUTRP	O	Rch Positive Analog Output Pin
35-37	VDDR	-	Rch Analog Power Supply Pin
38-40	VSSR	-	Analog Ground Pin
41-43	VSSL	-	Analog Ground Pin
44-46	VDDL	-	Lch Analog Power Supply Pin.
47,48	AOUTLP	O	Lch Positive Analog Output Pin
49,50	AOUTLN	O	Lch Negative Analog Output Pin
51	VCML	-	Left channel Common Voltage Pin Normally connected to VREFLL with a 10uF electrolytic cap. This pin is inhibited to connect other devices.
52-54	VREFLL	I	Lch Low Level Voltage Reference Input Pin
55-57	VREFHL	I	Lch High Level Voltage Reference Input Pin
58	EXTR	I	External Resistor Connect Pin Rext=33kΩ (±0.1%) to AVSS
59	AVDD	-	(LDOE pin = "H") Analog Power Supply Pin, 3.0 ~ 3.6V
		-	(LDOE pin = "L") Analog Power Supply Pin, 1.7 ~ 3.6V
60	AVSS	-	Analog Ground Pin
61	MCLK	I	Master Clock Input Pin
62	DVDD	O	(LDOE pin = "H") LDO Output Pin, This pin should be connected to DVSS with 1.0μF. This pin is inhibited to connect other devices.
		-	(LDOE pin = "L") Digital Power Supply Pin, 1.7 ~ 1.98V
63	DVSS	-	Digital Ground Pin
64	TVDD	-	(LDOE pin = "H") Digital Power Supply Pin, 3.0 ~ 3.6V
		-	(LDOE pin = "L") Digital Power Supply Pin, 1.7 ~ 3.6V

Note 1. All input pins except internal pull-up/down pins must not be left floating.

Note 2. The AK4497 must be reset by PDN pin after changing Pin/Register control mode by the PSN pin.

Note 3. PCM mode, DSD mode and EXDF mode are controlled by register settings.

■ Handling of Unused Pin

Unused I/O pins must be connected appropriately.

(1) Pin Control Mode (PCM mode only)

Classification	Pin Name	Recommend setting
Analog	AOUTLP, AOUTLN	Open
	AOUTRP, AOUTRN	Open
Digital	TESTE	Connect to DVSS or Open

(2) Resister Control Mode

1. PCM Mode

Classification	Pin Name	Recommend setting
Analog	AOUTLP, AOUTLN	Open
	AOUTRP, AOUTRN	Open
Digital	TESTE	Connect to DVSS or Open
	TDMO, DZFL, DZFR	Open

2. DSD Mode

DSDPATH bit = "0"

Classification	Pin Name	Recommend setting
Analog	AOUTLP, AOUTLN	Open
	AOUTRP, AOUTRN	Open
Digital	BICK, SDATA, LRCK, WCK, TDM1, DCHAIN, INVR, TESTE	Connect to DVSS
	TESTE	Connect to DVDD or Open
	TDMO, DZFL, DZFR	Open

DSDPATH bit = "1"

Classification	Pin Name	Recommend setting
Analog	AOUTLP, AOUTLN	Open
	AOUTRP, AOUTRN	Open
Digital	DEM0, GAIN, TDM0, WCK, TDM1, DCHAIN, INVR	Connect to DVSS
	TESTE	Connect to DVSS or Open
	TDMO, DZFL, DZFR	Open

3. EXDF Mode

Classification	Pin Name	Recommend setting
Analog	AOUTLP, AOUTLN	Open
	AOUTRP, AOUTRN	Open
Digital	DEM0, GAIN, TDM0, TDM1, DCHAIN, INVR	Connect to DVSS
	TESTE	Connect to DVSS or Open
	TDMO, DZFL, DZFR	Open

4. I²C-Bus Mode

Classification	Pin Name	Recommend setting
Digital	CSN	Connect to DVSS

Pull-up and Pull-down pins List

Classification	Pin Name	Internal connection
pull-up pin (typ=100kΩ)	PSN	Connect to TVDD
pull-down pin (typ=100kΩ)	TDMO, DZFL, DZFR, TESTE	Connect to DVSS

6. Absolute Maximum Ratings

(AVSS=DVSS=VSSL=VSSR=VREFLL=VREFLR=0V; Note 4)

Parameter		Symbol	Min.	Max.	Unit
Power Supplies:	Digital I/O	TVDD	-0.3	4.0	V
	Digital Core	DVDD	-0.3	2.5	V
	Clock Interface	AVDD	-0.3	4.0	V
	Analog	VDDL/R	-0.3	6.0	V
	AVSS – DVSS (Note 5)	ΔGND	-	0.3	V
Input Current, Any Pin Except Supplies		IIN	-	±10	mA
Digital Input Voltage		VIND	-0.3	TVDD+0.3	V
Ambient Temperature (Power supplied)		Ta	-40	85	°C
Storage Temperature		Tstg	-65	150	°C

Note 4. All voltages with respect to ground.

Note 5. AVSS, DVSS, VSSL and VSSR must be connected to the same analog ground plane. Connect the exposed pad on the bottom surface of the package to AVSS.

WARNING: Operation at or beyond these limits may result in permanent damage to the device.
Normal operation is not guaranteed at these extremes.

7. Recommended Operating Conditions

(AVSS=DVSS=VSSL=VSSR=VREFLL=VREFLR=0V; Note 4)

Parameter		Symbol	Min.	Typ.	Max.	Unit	
Power Supplies	■ LDOE pin= "L"	Digital I/O	TVDD	DVDD	1.8	3.6	V
		Clock Interface	AVDD	DVDD	1.8	3.6	V
		Digital Core	DVDD	1.7	1.8	1.98	V
	■ LDOE pin= "H"	Analog	VDDL/R	4.75	5.0	5.25	V
		Digital I/O	TVDD	3.0	3.3	3.6	V
		Clock Interface	AVDD	3.0	3.3	3.6	V
	Analog	VDDL/R	4.75	5.0	5.25	V	
		Voltage Reference (Note 7)	"H" voltage reference	VREFHL/R	VDDL/R-0.5	-	VDDL/R
		"L" voltage reference	VREFLL/R	-	VSSL/R	-	V

Note 4. All voltages with respect to ground.

Note 6. The analog output voltage scales with the voltage of (VREFHL/R – VREFLL/R).

Note 7. TVDD and AVDD must be connected to the same ground plane and powered up at the same time. When not using the LDO (LDOE pin = "L"), all power supplies (DVDD (1.8V), TVDD and AVDD (3.3V) and VDDL/R (5V)) should be powered up at the same time or sequentially in the order of 3.3V (TVDD, AVDD), 1.8V (DVDD) and 5V (VDDL/R).

Note 8. The internal LDO outputs DVDD (1.8V) when the LDOE pin = "H". 3.3V (TVDD and AVDD) power supplies must be powered up before or at the same time with 5V (VDDL/R) power supplies when the LDOE pin = "H".

* AKM assumes no responsibility for the usage beyond the conditions in this data sheet.

8. Electrical Characteristics

■ Analog Characteristics

(Ta=25°C; LDOE pin = "L", AVDD=TVDD=3.3V, DVDD=1.8V, AVSS=DVSS=VSSL/R=0V; VREFHL/R=VDDL/R=5.0V, VREFLL/R= 0V; Input data = 24bit; BICK=64fs; Signal Frequency = 1kHz; Sampling Frequency = 44.1kHz; Measurement bandwidth = 20Hz ~ 20kHz; External Circuit: [Figure 80](#); SC[2:0] bit="000"; 2Vrms output mode (GC[2:0] bit="000" or GAIN pin="L"); Heavy load drive mode=off(HLOAD bit="0" or HLOAD pin="L"); unless otherwise specified.)

Parameter		Min.	Typ.	Max.	Unit				
Resolution		-	-	32	Bits				
Dynamic Characteristics (Note 9)									
THD+N	fs=44.1kHz	BW=20kHz	0dBFS	GC[2:0]= "000" or GAIN= "L"	-	-116	-108	dB	
				GC[2:0]= "100" or GAIN= "H"	-	-113	-		
	fs=96kHz	BW=40kHz	0dBFS	-60dBFS	-	-65	-	dB	
				-60dBFS	-	-62	-	dB	
		fs=192kHz	BW=40kHz	0dBFS	-60dBFS	-	-110	-	dB
					-60dBFS	-	-62	-	dB
	BW=80kHz	-60dBFS	-	-59	-	dB			
Dynamic Range (-60dBFS with A-weighted) (Note 10)		125	128	-	dB				
S/N (A-weighted) (Note 11)	GC[2:0]= "000" or GAIN= "L"		125	128	-	dB			
	GC[2:0]= "100" or GAIN= "H"		Stereo mode		-	131	-	dB	
		Mono mode (Note 17)		-	133	-			
Interchannel Isolation (1kHz)		110	120	-	dB				
DC Accuracy									
Interchannel Gain Mismatch		-	0.15	0.3	dB				
Gain Drift (Note 12)		-	20	-	ppm/°C				
Output Voltage	GC[2:0] bits="000" or GAIN pin="L" (Note 13)		±2.65	±2.8	±2.95	Vpp			
	GC[2:0] bits="100" or GAIN pin="H" (Note 14)		±3.55	±3.75	±3.95	Vpp			
Load Resistance (Note 15)	HLOAD bit="0" or HLOAD pin="L"		8	10	-	kΩ			
	HLOAD bit="1" or HLOAD pin="H"		120	-	-	Ω			
Load Capacitance (Note 15)		-	-	25	pF				

Note 9. Measured by Audio Precision APx555. Averaging mode.

Note 10. 101dB at 16bit data and 118dB at 20bit data.

Note 11. S/N does not depend on the input data size.

Note 12. The voltage on (VREFH - VREFL) is held +5V externally.

Note 13. The analog output voltage with 0dBFS input signal when GC[2:0] bits = "000" or the GAIN pin = "L" is calculated by the following formula.

$$AOUTL/R \text{ (typ.@0dB)} = (AOUT+) - (AOUT-) = \pm 2.8V_{pp} \times (VREFHL/R - VREFLL/R)/5.$$

Note 14. The analog output voltage with 0dBFS input signal when GC[2:0] bits = "100" or the GAIN pin = "H" is calculated by the following formula.

$$AOUTL/R \text{ (typ.@0dB)} = (AOUT+) - (AOUT-) = \pm 3.75V_{pp} \times (VREFHL/R - VREFLL/R)/5.$$

Note 15. Regarding Load Resistance, AC load is 8kΩ (min) with a DC cut capacitor when HLOAD bit = "0" or the HLOAD pin = "L". DC load is 120Ω (min) without a DC cut capacitor if the HLOAD pin = "H". The load resistance value is with respect to ground. Analog characteristics are sensitive to capacitive load that is connected to the output pin. Therefore the capacitive load must be minimized.

Note 16. It is recommended to use a resistor with 0.1% absolute error for the output stage of the adding circuit.

Note 17. This mode is shown in [Figure 81](#).

(Ta=25°C; AVDD=TVDD=3.3V, DVDD=1.8V(@LDOE pin= "L"), AVSS=DVSS=VSSL/R=0V; VREFHL/R=VDDL/R=5.0V, VREFLL/R= 0V; Input data = 24bit; BICK=64fs; Signal Frequency = 1kHz; Sampling Frequency = 44.1kHz; SC[2:0] bits= "000"); 2Vrms output mode (GC[2:0] bits= "000" or GAIN pin = "L"); Heavy load drive mode=off (HLOAD bit= "0" or HLOAD pin= "L"); unless otherwise specified.)

Power Supplies						
Parameter		Min.	Typ.	Max.	Unit	
Power Supply Current						
Normal operation (PDN pin = "H")						
VDDL/R(total)			64	96	mA	
VREFHL/R			1	1.5	mA	
AVDD		-	1	1.5	mA	
TVDD						
LDOE pin = "H"		fs= 44.1kHz	8	12	mA	
		fs= 96kHz	-	13	20	mA
		fs = 192kHz	-	20	30	mA
LDOE pin = "L"			1	1.5	mA	
DVDD						
LDOE pin = "L"		fs= 44.1kHz	8	12	mA	
		fs= 96kHz	13	20	mA	
		fs = 192kHz	20	30	mA	
Total I _{dd} per channel (HLOAD pin = "H") •fs=44.1kHz			45	72	mA/ch	
Power down (PDN pin = "L") TVDD+AVDD+VDDL/R+DVDD		(Note 18)	-	10	100	μA

Note 18. In power down mode, the PSN pin = TVDD and all other digital input pins including clock pins (MCLK, BICK and LRCK) are held to DVSS.

Note 19. The DVDD pin becomes an output pin when the LDOE pin = "H".

■ DSD Mode

(Ta=25°C; AVDD=TVDD=3.3V, DVDD=1.8V (@LDOE pin = "L"), AVSS=DVSS=VSSL/R=0V; VREFHL/R=VDDL/R=5.0V, VREFLL/R= 0V; Signal Frequency = 1kHz; Measurement bandwidth = 20Hz ~ 20kHz; External Circuit; Example circuit 3 (Figure 80); SC[2:0] bit="000"; 2Vrms output mode (GC[2:0] bits="000" or GAIN pin="L"); Heavy load drive mode=off(HLOAD bit="0" or HLOAD pin= "L"); unless otherwise specified.)

Parameter		Min.	Typ.	Max.	Unit	
Dynamic Characteristics						
THD+N (Note 20)	DSD dataStream: 2.8224MHz	0dBFS	-	-116	-	dB
	DSD dataStream: 5.6448MHz	0dBFS	-	-116	-	dB
	DSD dataStream: 11.2896MHz	0dBFS	-	-116	-	dB
S/N (A-weighted, Normal path) (Note 20)	DSD dataStream: 2.8224MHz	Digital"0" (Note 23)	-	128	-	dB
	DSD dataStream: 5.6448MHz	Digital"0" (Note 23)	-	128	-	dB
	DSD dataStream: 11.2896MHz	Digital"0" (Note 23)	-	128	-	dB
DC Accuracy						
Output Voltage (Normal path)	(Note 13)	±2.65	±2.8	±2.95	Vpp	
Output Voltage (Volume Bypass)	(Note 24)	±2.38	±2.5	±2.63	Vpp	

Note 20. Analog characteristics are not guaranteed when the DSD dataStream is 22.5782MHz.

Note 21. The peak level of DSD signal should be in the range of 25% ~ 75% Duty according to the SACD format book (Scarlet Book).

Note 22. The output level is assumed as 0dB when a 1kHz 25% ~ 75% duty sine wave is input. Click noise may occur if the input signal exceeds 0dB.

Note 23. Digital "0" is a digital zero code pattern ("01101001") according to the SACD format book (Scarlet Book).

Note 24. When DSDD bit = "1", the analog output voltage with 25 ~ 75% input duty is given by following formula.

$$AOUTL/R \text{ (typ.@0dB)} = (AOUTLP/RP) - (AOUTLN/RN) = \pm 2.5V_{pp} \times (VREFHL/R - VREFLL/R)/5.0.$$

■ Sharp Roll-Off Filter Characteristics

Sharp Roll-Off Filter Characteristics (fs=44.1kHz)

(Ta=-40~85°C; VDDL/R=4.75 ~ 5.25V, AVDD= TVDD=1.7 ~3.6V, DVDD=1.7~1.98V; Normal Speed Mode; DEM=OFF; SD bit="0" or SD pin = "L", SLOW bit="0" or SLOW pin = "L", SSLOW bit = "0" or SSLOW pin = "L")

Parameter		Symbol	Min.	Typ.	Max.	Unit
Digital Filter						
Frequency Response (Note 25)	±0.01dB	PB	0	22.05	20.0	kHz
	-6.0dB	-	-		-	kHz
Passband	(Note 26)	PB	0		20.0	kHz
Stopband	(Note 26)	SB	24.1			kHz
Passband Ripple	(Note 27)	PR			±0.005	dB
Stopband Attenuation	(Note 25)	SA	100			dB
Group Delay	(Note 28)	GD	-	29.2	-	1/fs
Digital Filter + SCF (Note 25)						
Frequency Response: 0 ~ 20.0kHz			-0.2	-	+0.1	dB

Sharp Roll-Off Filter Characteristics (fs=96kHz)

(Ta=-40~85°C; VDDL/R=4.75 ~ 5.25V, AVDD= TVDD=1.7 ~3.6V, DVDD=1.7~1.98V; Double Speed Mode; DEM=OFF; SD bit="0" or SD pin = "L", SLOW bit="0" or SLOW pin = "L", SSLOW bit = "0" or SSLOW pin = "L")

Parameter		Symbol	Min.	Typ.	Max.	Unit
Digital Filter						
Frequency Response (Note 25)	±0.01dB	PB	0	48.0	43.5	kHz
	-6.0dB	-	-		-	kHz
Passband	(Note 26)	PB	0		43.5	kHz
Stopband	(Note 26)	SB	52.5			kHz
Passband Ripple	(Note 27)	PR			±0.005	dB
Stopband Attenuation	(Note 25)	SA	100			dB
Group Delay	(Note 28)	GD	-	29.2	-	1/fs
Digital Filter + SCF (Note 25)						
Frequency Response: 0 ~ 40.0kHz			-0.6	-	+0.1	dB

Sharp Roll-Off Filter Characteristics (fs=192kHz)

(Ta=-40~85°C; VDDL/R=4.75 ~ 5.25V, AVDD= TVDD=1.7 ~3.6V, DVDD=1.7~1.98V; Quad Speed Mode; DEM=OFF; SD bit="0" or SD pin="L", SLOW bit="0" or SLOW pin="L", SSLOW bit="0" or SSLOW pin="L")

Parameter		Symbol	Min.	Typ.	Max.	Unit
Digital Filter						
Frequency Response (Note 25)	±0.01dB	-	0	96.0	87.0	kHz
	-6.0dB	-	-		-	kHz
Passband	(Note 26)	PB	0		87.0	kHz
Stopband	(Note 26)	SB	105			kHz
Passband Ripple	(Note 27)	PR			±0.005	dB
Stopband Attenuation	(Note 25)	SA	100			dB
Group Delay	(Note 28)	GD	-	29.2	-	1/fs
Digital Filter + SCF (Note 25)						
Frequency Response: 0 ~ 80.0kHz			-2.0	-	+0.1	dB

Note 25. Frequency response refers to the output level (0dB) of a 1kHz, 0dB sine wave input.

Note 26. The passband and stopband frequencies scale with fs. For example, PB=0.4535×fs (@±0.01dB), SB=0.546×fs.

Note 27. The first stage of the Interpolator. This is a passband gain amplitude of the 4 times oversampling filter.

Note 28. The calculating delay time which occurred by digital filtering. This time is from setting the 16/20/24/32 bit data of both channels to the output of analog signal.

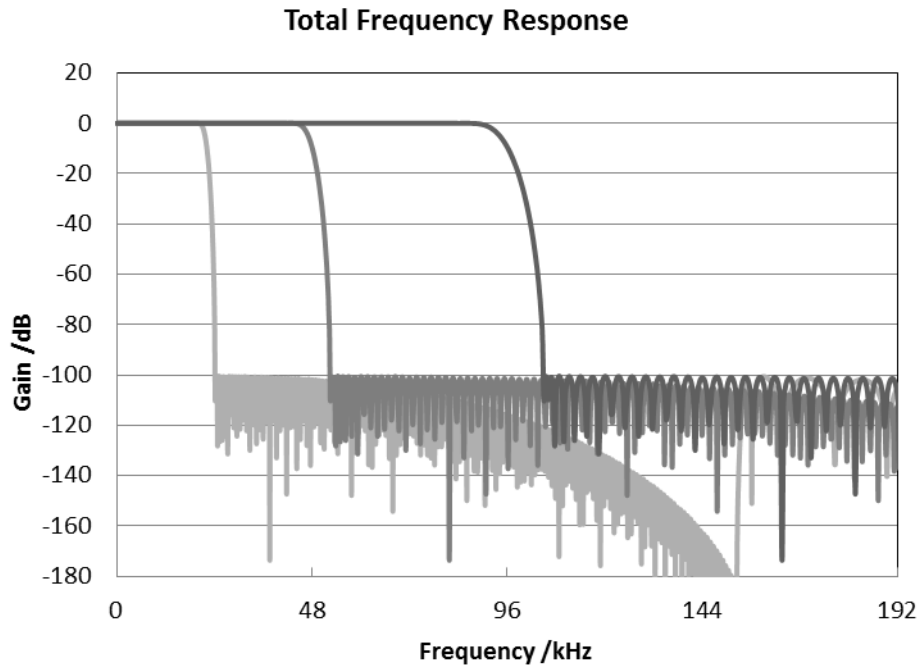


Figure 3. Sharp Roll-off Filter Frequency Response

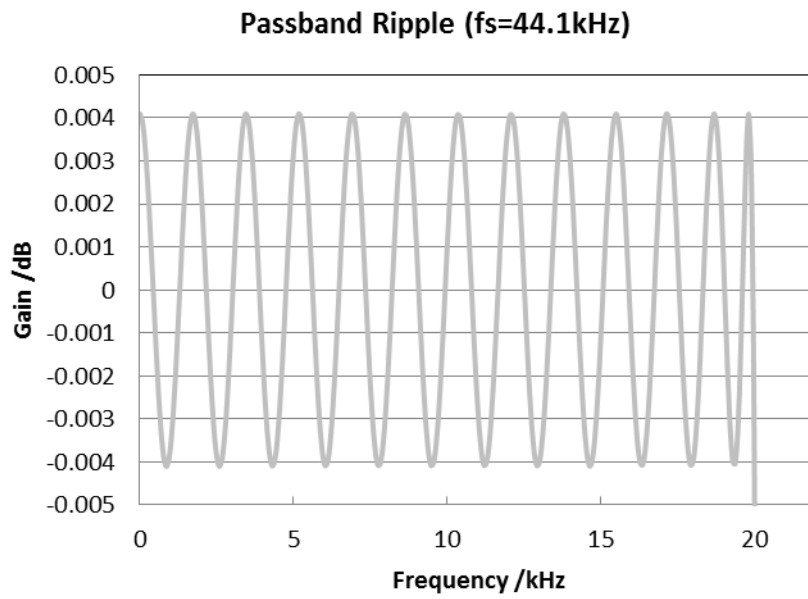


Figure 4. Sharp Roll-off Filter Passband Ripple

■ Slow Roll-Off Filter Characteristics

Slow Roll-Off Filter Characteristics (fs = 44.1kHz)

(Ta=-40~85°C; VDDL/R=4.75 ~ 5.25V, AVDD= TVDD=1.7 ~3.6V, DVDD=1.7~1.98V; Normal Speed Mode; DEM=OFF; SD bit="0" or SD pin="L", SLOW bit="1" or SLOW pin="H", SSLOW bit="0" or SSLOW pin="L")

Parameter		Symbol	Min.	Typ.	Max.	Unit
Digital Filter						
Frequency Response (Note 25)	±0.01dB	PB	0	-	8.0	kHz
	-6.0dB	-	-	21.0	-	kHz
Passband	(Note 29)	PB	0	-	8.0	kHz
Stopband	(Note 29)	SB	39.2	-	-	kHz
Passband Ripple	(Note 27)	PR	-	-	±0.007	dB
Stopband Attenuation	(Note 25)	SA	92	-	-	dB
Group Delay	(Note 28)	GD	-	6.5	-	1/fs
Digital Filter + SCF (Note 25)						
Frequency Response: 0 ~ 20.0kHz			-5.0	-	+0.1	dB

Slow Roll-Off Filter Characteristics (fs = 96kHz)

(Ta=-40~85°C; VDDL/R=4.75 ~ 5.25V, AVDD= TVDD=1.7 ~3.6V, DVDD=1.7~1.98V; Double Speed Mode; DEM=OFF; SD bit="0" or SD pin="L", SLOW bit="1" or SLOW pin="H", SSLOW bit="0" or SSLOW pin="L")

Parameter		Symbol	Min.	Typ.	Max.	Unit
Digital Filter						
Frequency Response (Note 25)	±0.01dB	PB	0	-	17.6	kHz
	-6.0dB	-	-	45.6	-	kHz
Passband	(Note 29)	PB	0	-	17.6	kHz
Stopband	(Note 29)	SB	85.4	-	-	kHz
Passband Ripple	(Note 27)	PR	-	-	±0.007	dB
Stopband Attenuation	(Note 25)	SA	92	-	-	dB
Group Delay	(Note 28)	GD	-	6.5	-	1/fs
Digital Filter + SCF (Note 25)						
Frequency Response: 0 ~ 40.0kHz			-3.8	-	+0.1	dB

Slow Roll-Off Filter Characteristics (fs = 192kHz)

(Ta=-40~85°C; VDDL/R=4.75 ~ 5.25V, AVDD= TVDD=1.7 ~3.6V, DVDD=1.7~1.98V; Quad Speed Mode; DEM=OFF; SD bit="0" or SD pin="L", SLOW bit="1" or SLOW pin="H", SSLOW bit="0" or SSLOW pin="L")

Parameter		Symbol	Min.	Typ.	Max.	Unit
Digital Filter						
Frequency Response (Note 25)	±0.01dB	-	0	-	35.2	kHz
	-6.0dB	-	-	91.2	-	kHz
Passband	(Note 29)	PB	0	-	35.2	kHz
Stopband	(Note 29)	SB	170.7	-	-	kHz
Passband Ripple	(Note 27)	PR	-	-	±0.007	dB
Stopband Attenuation	(Note 25)	SA	100	-	-	dB
Group Delay	(Note 28)	GD	-	6.5	-	1/fs
Digital Filter + SCF (Note 25)						
Frequency Response: 0 ~ 80.0kHz			-5.0	-	+0.1	dB

Note 29. The passband and stopband frequencies scale with fs. For example, PB = 0.1836 × fs (@±0.01dB), SB = 0.8889 × fs.

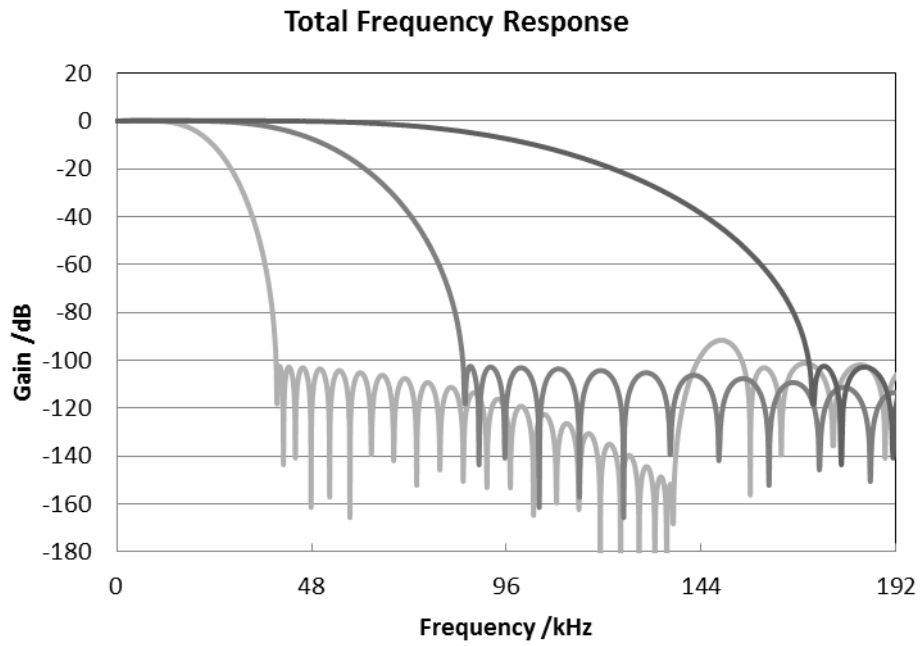


Figure 5. Slow Roll-off Filter Frequency Response

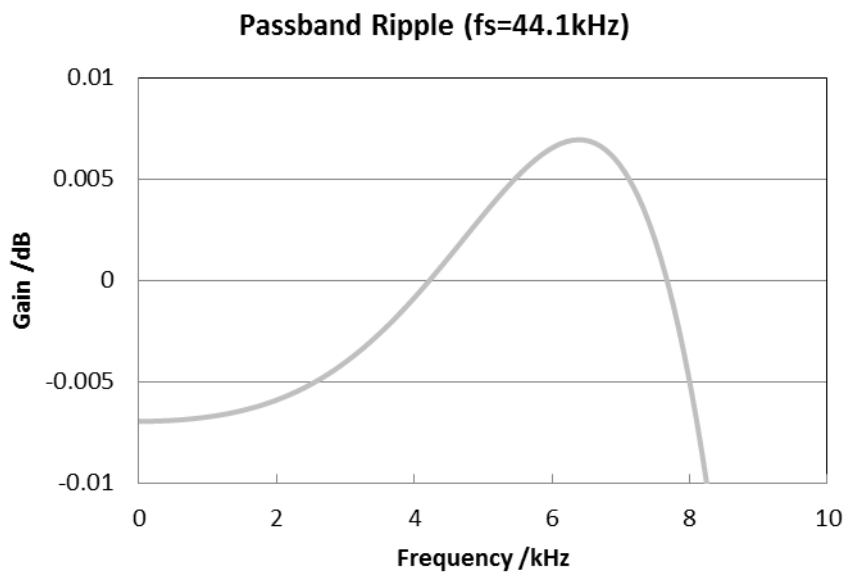


Figure 6. Slow Roll-off Filter Passband Ripple

■ Short Delay Sharp Roll-Off Filter Characteristics

Short Delay Sharp Roll-Off Filter Characteristics (fs = 44.1kHz)

(Ta=-40~85°C; VDDL/R=4.75 ~ 5.25V, AVDD= TVDD=1.7 ~3.6V, DVDD=1.7~1.98V; Normal Speed Mode; DEM=OFF; SD bit="1" or SD pin="H", SLOW bit="0" or SLOW bit="L", SSLOW bit="0" or SSLOW pin="L")

Parameter		Symbol	Min.	Typ.	Max.	Unit
Digital Filter						
Frequency Response (Note 25)	±0.01dB	-	0	-	20.0	kHz
	-6.0dB	-	-	22.05	-	kHz
Passband	(Note 30)	PB	0	-	20.0	kHz
Stopband	(Note 30)	SB	24.1	-	-	kHz
Passband Ripple	(Note 27)	PR	-	-	±0.005	dB
Stopband Attenuation	(Note 25)	SA	100	-	-	dB
Group Delay	(Note 28)	GD	-	6.0	-	1/fs
Digital Filter + SCF (Note 25)						
Frequency Response: 0 ~ 20.0kHz			-2.0	-	+0.1	dB

Short Delay Sharp Roll-Off Filter Characteristics (fs = 96kHz)

(Ta=-40~85°C; VDDL/R=4.75 ~ 5.25V, AVDD= TVDD=1.7 ~3.6V, DVDD=1.7~1.98V; Double Speed Mode; DEM=OFF; SD bit="1" or SD pin="H", SLOW bit="0" or SLOW bit="L", SSLOW bit="0" or SSLOW pin="L")

Parameter		Symbol	Min.	Typ.	Max.	Unit
Digital Filter						
Frequency Response (Note 25)	±0.01dB	-	0	-	43.5	kHz
	-6.0dB	-	-	48.0	-	kHz
Passband	(Note 30)	PB	0	-	43.5	kHz
Stopband	(Note 30)	SB	52.5	-	-	kHz
Passband Ripple	(Note 27)	PR	-	-	±0.005	dB
Stopband Attenuation	(Note 25)	SA	100	-	-	dB
Group Delay	(Note 28)	GD	-	6.0	-	1/fs
Digital Filter + SCF (Note 25)						
Frequency Response: 0 ~ 40.0kHz			-0.6	-	+0.1	dB

Short Delay Sharp Roll-Off Filter Characteristics (fs = 192kHz)

(Ta=-40~85°C; VDDL/R=4.75 ~ 5.25V, AVDD= TVDD=1.7 ~3.6V, DVDD=1.7~1.98V; Quad Speed Mode; DEM=OFF; SD bit="1" or SD pin="H", SLOW bit="0" or SLOW bit="L", SSLOW bit="0" or SSLOW pin="L")

Parameter		Symbol	Min.	Typ.	Max.	Unit
Digital Filter						
Frequency Response (Note 25)	±0.01dB	-	0	-	87.0	kHz
	-6.0dB	-	-	96.0	-	kHz
Passband	(Note 30)	PB	0	-	87.0	kHz
Stopband	(Note 30)	SB	104.9	-	-	kHz
Passband Ripple	(Note 27)	PR	-	-	±0.005	dB
Stopband Attenuation	(Note 25)	SA	100	-	-	dB
Group Delay	(Note 28)	GD	-	6.0	-	1/fs
Digital Filter + SCF (Note 25)						
Frequency Response: 0 ~ 80.0kHz			-2.0	-	+0.1	dB

Note 30. The passband and stopband frequencies scale with fs. For example, PB=0.4535×fs (@±0.01dB), SB=0.546×fs.

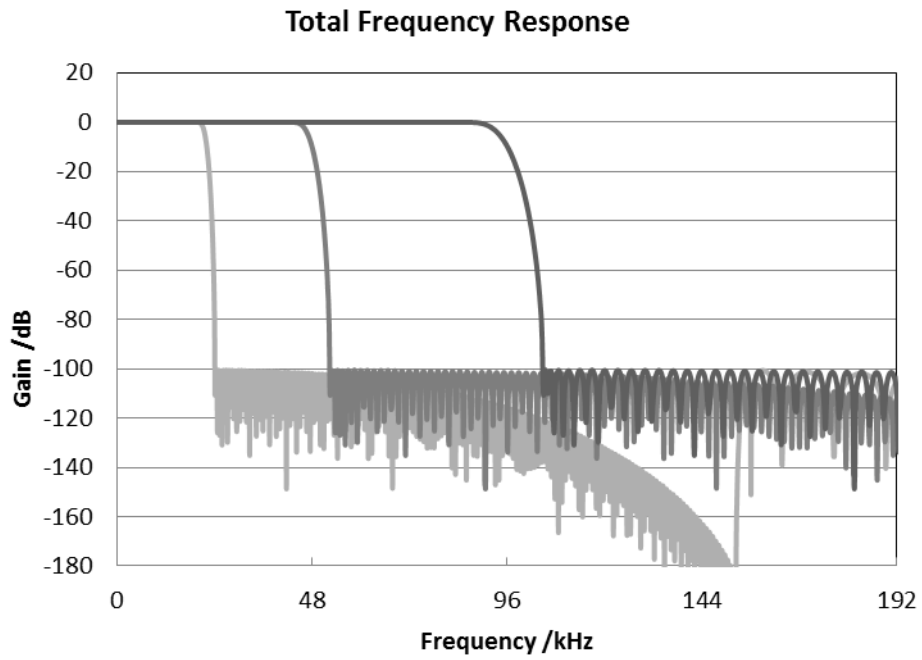


Figure 7. Short delay Sharp Roll-off Filter Frequency Response

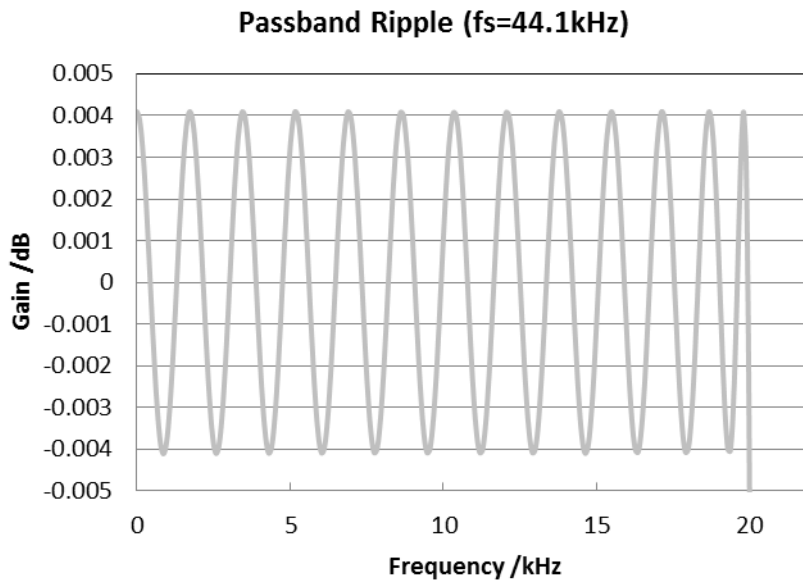


Figure 8. Short delay Sharp Roll-off Filter Passband Ripple

■ Short Delay Slow Roll-Off Filter Characteristics

Short Delay Slow Roll-Off Filter Characteristics (fs = 44.1kHz)

(Ta=-40~85°C; VDDL/R=4.75 ~ 5.25V, AVDD= TVDD=1.7 ~3.6V, DVDD=1.7~1.98V; Normal Speed Mode; DEM=OFF; SD bit="1" or SD pin="H", SLOW bit="1" or SLOW pin="H", SSLOW bit="0" or SSLOW pin="L")

Parameter		Symbol	Min.	Typ.	Max.	Unit
Digital Filter						
Frequency Response (Note 25)	±0.01dB	-	0	-	8.0	kHz
	-6.0dB	-	-	21.0	-	kHz
Passband	(Note 30)	PB	0	-	8.0	kHz
Stopband	(Note 30)	SB	39.2	-	-	kHz
Passband Ripple	(Note 27)	PR	-	-	±0.007	dB
Stopband Attenuation	(Note 25)	SA	92	-	-	dB
Group Delay	(Note 28)	GD	-	5.0	-	1/fs
Digital Filter + SCF (Note 25)						
Frequency Response: 0 ~ 20.0kHz			-5.0	-	+0.1	dB

Short Delay Slow Roll-Off Filter Characteristics (fs = 96kHz)

(Ta=-40~85°C; VDDL/R=4.75 ~ 5.25V, AVDD= TVDD=1.7 ~3.6V, DVDD=1.7~1.98V; Double Speed Mode; DEM=OFF; SD bit="1" or SD pin="H", SLOW bit="1" or SLOW pin="H", SSLOW bit="0" or SSLOW pin="L")

Parameter		Symbol	Min.	Typ.	Max.	Unit
Digital Filter						
Frequency Response (Note 25)	±0.01dB	-	0	-	17.6	kHz
	-6.0dB	-	-	45.6	-	kHz
Passband	(Note 30)	PB	0	-	17.6	kHz
Stopband	(Note 30)	SB	85.4	-	-	kHz
Passband Ripple	(Note 27)	PR	-	-	±0.005	dB
Stopband Attenuation	(Note 25)	SA	100	-	-	dB
Group Delay	(Note 28)	GD	-	5.0	-	1/fs
Digital Filter + SCF (Note 25)						
Frequency Response: 0 ~ 40.0kHz			-3.8	-	+0.1	dB

Short Delay Slow Roll-Off Filter Characteristics (fs = 192kHz)

(Ta=-40~85°C; VDDL/R=4.75 ~ 5.25V, AVDD= TVDD=1.7 ~3.6V, DVDD=1.7~1.98V; Quad Speed Mode; DEM=OFF; SD bit="1" or SD pin="H", SLOW bit="1" or SLOW pin="H", SSLOW bit="0" or SSLOW pin="L")

Parameter		Symbol	Min.	Typ.	Max.	Unit
Digital Filter						
Frequency Response (Note 25)	±0.01dB	-	0	-	35.2	kHz
	-6.0dB	-	-	91.2	-	kHz
Passband	(Note 30)	PB	0	-	35.2	kHz
Stopband	(Note 30)	SB	170.7	-	-	kHz
Passband Ripple	(Note 27)	PR	-	-	±0.005	dB
Stopband Attenuation	(Note 25)	SA	100	-	-	dB
Group Delay	(Note 28)	GD	-	5.0	-	1/fs
Digital Filter + SCF (Note 25)						
Frequency Response: 0 ~ 80.0kHz			-5.0	-	+0.1	dB

Note 31. The passband and stopband frequencies scale with fs. For example, PB = 0.1836 × fs (@±0.01dB), SB = 0.8866 × fs.

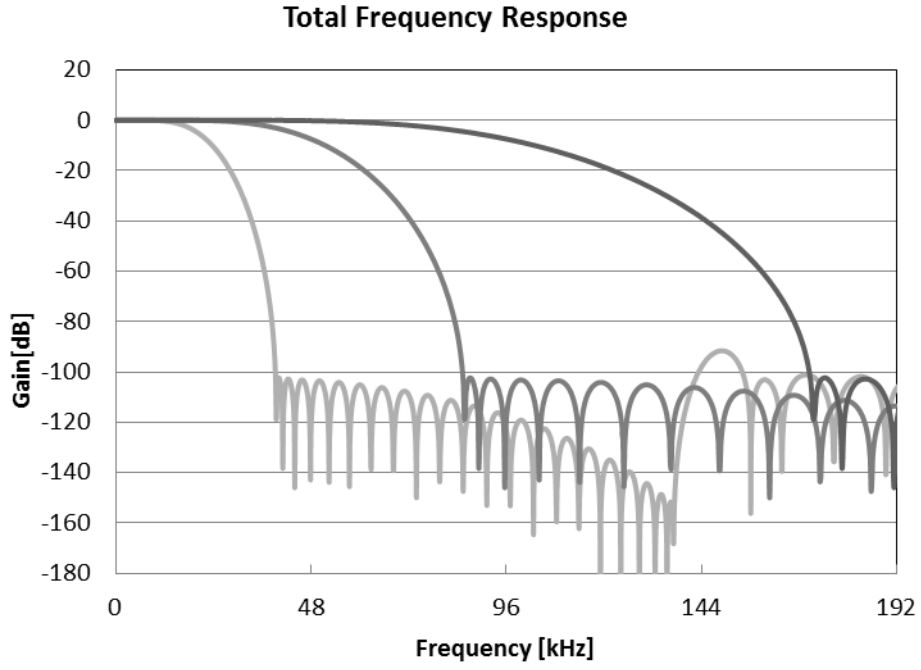


Figure 9. Short Delay Slow Roll-off Filter Frequency Response

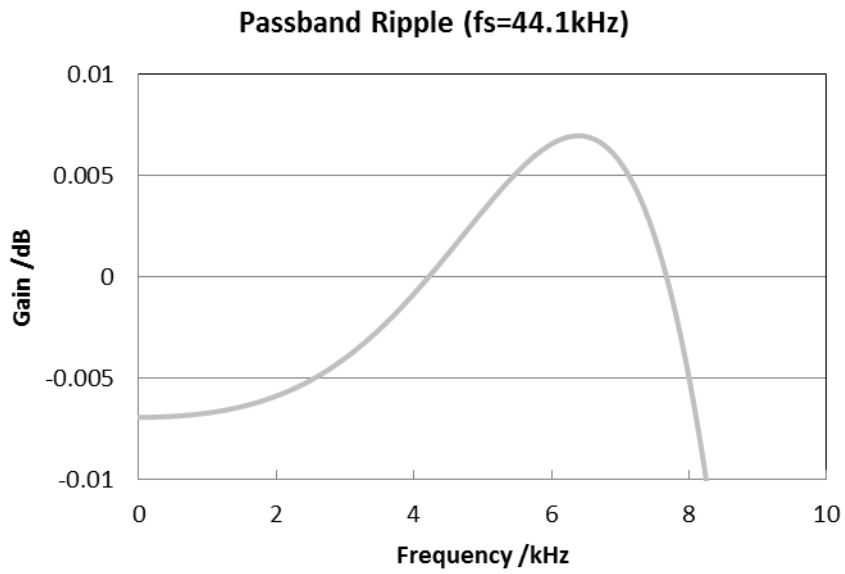


Figure 10. Short Delay Slow Roll-off Filter Passband Ripple

Low-dispersion Short Delay Filter Characteristics

Low-dispersion Short Delay Filter Characteristics (fs = 44.1kHz)

(Ta=-40~85°C; VDDL/R=4.75~5.25V, AVDD=TVDD=1.7~3.6V, DVDD=1.7~1.98V; Normal Speed Mode DEM=OFF; SD bit="1" or SD pin="H", SLOW bit="0" or SLOW pin="L", SSLOW bit="1" or SSLOW pin="H")

Parameter		Symbol	Min.	Typ.	Max.	Unit
Digital Filter						
Frequency Response (Note 25)	±0.05dB	PB	0	-	18.4	kHz
	-6.0dB	-	-	22.5	-	kHz
Passband	(Note 32)	PB	0	-	18.4	kHz
Stopband	(Note 32)	SB	25.7	-	-	kHz
Passband Ripple	(Note 27)	PR	-	-	±0.05	dB
Stopband Attenuation	(Note 25)	SA	80	-	-	dB
Group Delay	(Note 28)	GD	-	10.0	-	1/fs
Group Delay Distortion		ΔGD	-	±0.035	-	1/fs
Digital Filter + SCF (Note 25)						
Frequency Response: 0 ~ 20.0kHz			-0.8	-	+0.1	dB

Low-dispersion Short Delay Filter Characteristics (fs = 96kHz)

(Ta=-40~85°C; VDDL/R=4.75~5.25V, AVDD=TVDD=1.7~3.6V, DVDD=1.7~1.98V; Double Speed Mode; DEM=OFF; SD bit="1" or SD pin="H", SLOW bit="0" or SLOW pin="L", SSLOW bit="1" or SSLOW pin="H")

Parameter		Symbol	Min.	Typ.	Max.	Unit
Digital Filter						
Frequency Response (Note 25)	±0.05dB	PB	0	-	40.1	kHz
	-6.0dB	-	-	48.0	-	kHz
Passband	(Note 32)	PB	0	-	40.1	kHz
Stopband	(Note 32)	SB	55.9	-	-	kHz
Passband Ripple	(Note 27)	PR	-	-	±0.05	dB
Stopband Attenuation	(Note 25)	SA	80	-	-	dB
Group Delay	(Note 28)	GD	-	10.0	-	1/fs
Group Delay Distortion		ΔGD	-	±0.035	-	1/fs
Digital Filter + SCF (Note 25)						
Frequency Response: 0 ~ 40.0kHz			-0.6	-	+0.1	dB

Low-dispersion Short Delay Filter Characteristics (fs = 192kHz)

(Ta=-40~85°C; VDDL/R=4.75~5.25V, AVDD=TVDD=1.7~3.6V, DVDD=1.7~1.98V; Quad Speed Mode; DEM=OFF; SD bit="1" or SD pin="H", SLOW bit="0" or SLOW pin="L", SSLOW bit="1" or SSLOW pin="H")

Parameter		Symbol	Min.	Typ.	Max.	Unit
Digital Filter						
Frequency Response (Note 25)	±0.05dB	-	0	-	80.2	kHz
	-6.0dB	-	-	98.0	-	kHz
Passband	(Note 32)	PB	0	-	80.2	kHz
Stopband	(Note 32)	SB	111.8	-	-	kHz
Passband Ripple	(Note 27)	PR	-	-	±0.05	dB
Stopband Attenuation	(Note 25)	SA	80	-	-	dB
Group Delay	(Note 28)	GD	-	10.0	-	1/fs
Group Delay Distortion		ΔGD	-	±0.035	-	1/fs
Digital Filter + SCF (Note 25)						
Frequency Response: 0 ~ 80.0kHz			-2.0	-	+0.1	dB

Note 32. The passband and stopband frequencies scale with fs. For example, PB = 0.418 × fs (@±0.05dB), SB = 0.582 × fs.

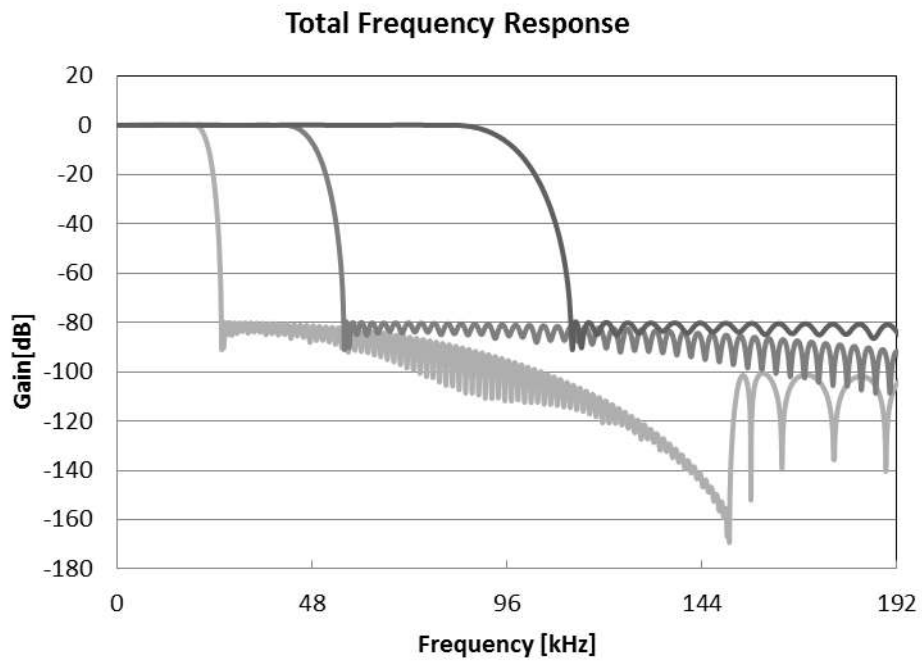


Figure 11. Low Dispersion Short Delay Filter Frequency Response

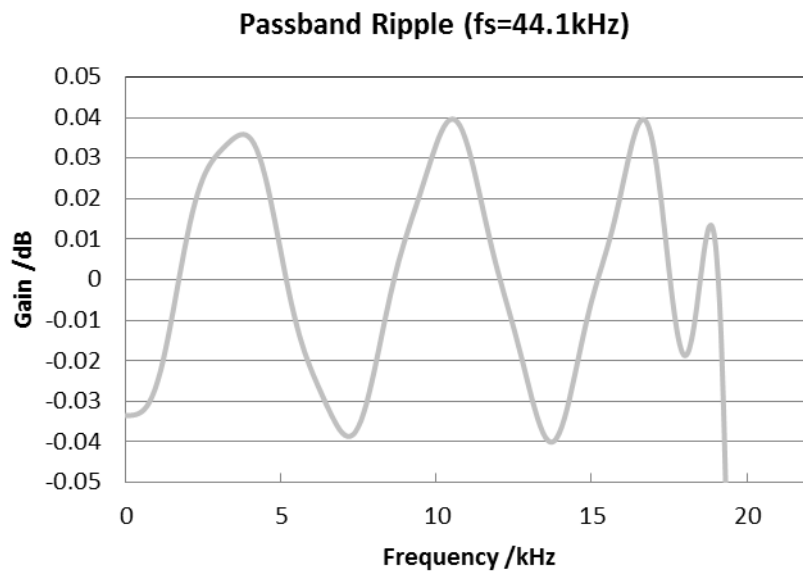


Figure 12. Low Dispersion Short Delay Filter Passband Ripple

■ DSD Filter Characteristics

($T_a = -40 \sim 85^\circ\text{C}$; $V_{DDL}/R = 4.75 \sim 5.25\text{V}$, $AV_{DD} = TV_{DD} = 1.7 \sim 3.6\text{V}$, $DV_{DD} = 1.7 \sim 1.98\text{V}$; $f_s = 44.1\text{kHz}$; DP bit="1", DSD bit = "0", DSDSEL[1:0] bits = "00")

Parameter		Min.	Typ.	Max.	Unit
Digital Filter Response (Note 34)					
Frequency Response (Note 35)	20kHz		-0.77		dB
	50kHz		-5.25		dB
	100kHz		-18.80		dB

($T_a = -40 \sim 85^\circ\text{C}$; $V_{DDL}/R = 4.75 \sim 5.25\text{V}$, $AV_{DD} = TV_{DD} = 1.7 \sim 3.6\text{V}$, $DV_{DD} = 1.7 \sim 1.98\text{V}$; $f_s = 44.1\text{kHz}$; DP bit="1", DSD bit="1", DSDSEL[1:0] bits="00")

Parameter		Min.	Typ.	Max.	Unit
Digital Filter Response (Note 34)					
Frequency Response (Note 35)	20kHz		-0.19		dB
	100kHz		-5.29		dB
	150kHz		-15.57		dB

Note 33. The peak level of DSD signal should be in the range of 25% ~ 75% duty according to the SACD format book (Scarlet Book).

Note 34. The frequency response refers to the output level of 0dB when a 1kHz 25%~75% duty sine wave is input.

Note 35. The frequency (20k, 100k and 200kHz) will be doubled when the sampling speed is 128fs (DSDSEL[1:0] bits = "01") and it will be quadrupled when the sampling speed is 256fs (DSDSEL[1:0] bits = "10").

■ DC Characteristics

($T_a = -40 \sim 85^\circ\text{C}$; $V_{DDL}/R = 4.75 \sim 5.25\text{V}$, $AV_{DD} = TV_{DD} = 1.7 \sim 3.6\text{V}$, $DV_{DD} = 1.7 \sim 1.98\text{V}$)

Parameter	Symbol	Min.	Typ.	Max.	Unit
AVDD=TVDD= 1.7 ~ 3.0V					
High-Level Input Voltage	V _{IH}	80%TVDD	-	-	V
Low-Level Input Voltage	V _{IL}	-	-	20%TVDD	V
AVDD=TVDD= 3.0V ~ 3.6V					
High-Level Input Voltage	V _{IH}	70%TVDD	-	-	V
Low-Level Input Voltage	V _{IL}	-	-	30%TVDD	V
High-Level Output Voltage (TDMO, DZFL, DZFR pins: I _{out} =-100μA)	V _{OH}	TVDD-0.5	-	-	V
Low-Level Output Voltage (except SDA pin: I _{out} = 100μA)	V _{OL}	-	-	0.5	V
(SDA pin, 2.0V ≤ TVDD ≤ 3.6V: I _{out} = 3mA)	V _{OL}	-	-	0.4	V
(SDA pin, 1.7V ≤ TVDD ≤ 2.0V: I _{out} = 3mA)	V _{OL}	-	-	20%TVDD	V
Input Leakage Current (Note 36)	I _{in}	-	-	±10	μA

Note 36. The TESTE, TDMO, DIF0 and DIF1 pins have internal pull-down and the PSN pin has internal pull-up devices. Therefore the TESTE, TDMO, DIF0, DIF1 and PSN pins are not included in this specification.

■ Switching Characteristics

(Ta=-40~85°C; VDDL/R=4.75~5.25V, AVDD=TVDD=1.7~3.6V, DVDD=1.7~1.98V, CL=20pF)

Parameter	Symbol	Min.	Typ.	Max.	Unit
Master Clock Timing					
Frequency	fCLK	2.048	-	49.152	MHz
Duty Cycle	dCLK	40	-	60	%
Minimum Pulse Width	tCLKH	9.155	-	-	nsec
	tCLKL	9.155	-	-	nsec
LRCK Clock Timing (Note 37)					
Normal Mode (TDM[1:0] bits = "00")					
Normal Speed Mode	fsn	8	-	54	kHz
Double Speed Mode	fsd	54	-	108	kHz
Quad Speed Mode	fsq	108	-	216	kHz
Oct speed mode	fso	216	-	388	kHz
Hex speed mode	fsh	388	-	776	kHz
Duty Cycle	Duty	45	-	55	%
TDM128 mode (TDM[1:0] bits = "01")					
Normal Speed Mode	fsn	8	-	54	kHz
Double Speed Mode	fsd	54	-	108	kHz
Quad Speed Mode	fsq	108	-	216	kHz
High time	tLRH	1/128fs	-	-	nsec
Low time	tLRL	1/128fs	-	-	nsec
TDM256 mode (TDM[1:0] bits = "10")					
Normal Speed Mode High time	fsn	8	-	54	kHz
Double Speed Mode	fsd	54	-	108	kHz
High time	tLRH	1/256fs	-	-	nsec
Low time	tLRL	1/256fs	-	-	nsec
TDM512 mode (TDM[1:0] bits = "11")					
Normal Speed Mode	fsn	8	-	54	kHz
High time	tLRH	1/512fs	-	-	nsec
Low time	tLRL	1/512fs	-	-	nsec

Note 37. The MCLK frequency must be changed while the AK4497 is in reset state by setting the PDN pin = "L" or RSTN bit = "0".

(Ta=-40~85°C; VDDL/R=4.75~5.25V, AVDD=TVDD=1.7~3.6V, DVDD=1.7~1.98V, CL=20pF, PSN pin="L", AFSD bit="1")

Parameter	Symbol	Min.	Typ.	Max.	Unit
Master Clock Timing (FS Auto Detect Mode)					
Frequency	fCLK	7.68	-	49.152	MHz
Duty Cycle	dCLK	40	-	60	%
Minimum Pulse Width	tCLKH	9.155	-	-	nsec
	tCLKL	9.155	-	-	nsec
LRCK Clock Timing (FS Auto Detect Mode) (Note 38)					
Normal Mode (TDM[1:0] bits = "00")					
Normal Speed Mode	fsn	30	-	54	kHz
Double Speed Mode	fsd	87	-	108	kHz
Quad Speed Mode	fsq	174	-	216	kHz
Oct speed mode	fso	348	-	388	kHz
Hex speed mode	fsh	696	-	776	kHz
Duty Cycle	Duty	45	-	55	%
TDM128 mode (TDM[1:0] bits = "01")					
Normal Speed Mode	fsn	30	-	54	kHz
Double Speed Mode	fsd	87	-	108	kHz
Quad Speed Mode	fsq	174	-	216	kHz
High time	tLRH	1/128fs	-	-	nsec
Low time	tLRL	1/128fs	-	-	nsec
TDM256 mode (TDM[1:0] bits = "10")					
Normal Speed Mode High time	fsn	30	-	54	kHz
Double Speed Mode	fsd	87	-	108	kHz
High time	tLRH	1/256fs	-	-	nsec
Low time	tLRL	1/256fs	-	-	nsec
TDM512 mode (TDM[1:0] bits = "11")					
Normal Speed Mode	fsn	30	-	54	kHz
High time	tLRH	1/512fs	-	-	nsec
Low time	tLRL	1/512fs	-	-	nsec

Note 38. Normal operation is not guaranteed if a frequency not shown above is input to the LRCK when the AK4497 is in Sampling Frequency Auto Detect Mode.

Parameter	Symbol	Min.	Typ.	Max.	Unit
PCM Audio Interface Timing					
Normal Mode (TDM[1:0] bits = "00")					
BICK Period					
Normal Speed Mode	tBCK	1/256fsn	-	-	nsec
Double Speed Mode	tBCK	1/128fsd	-	-	nsec
Quad Speed Mode	tBCK	1/64fsq	-	-	nsec
Oct speed mode	tBCK	1/64fso	-	-	nsec
Hex speed mode	tBCK	1/64fsh	-	-	nsec
BICK Pulse Width Low	tBCKL	9	-	-	nsec
BICK Pulse Width High	tBCKH	9	-	-	nsec
BICK "↑" to LRCK Edge (Note 39)	tBLR	5	-	-	nsec
LRCK Edge to BICK "↑" (Note 39)	tLRB	5	-	-	nsec
SDATA Hold Time	tSDH	5	-	-	nsec
SDATA Setup Time	tSDS	5	-	-	nsec
TDM128 mode (TDM[1:0] bits = "01")					
BICK Period					
Normal Speed Mode	tBCK	1/128fsn	-	-	nsec
Double Speed Mode	tBCK	1/128fsd	-	-	nsec
Quad Speed Mode	tBCK	1/128fsq	-	-	nsec
BICK Pulse Width Low	tBCKL	14	-	-	nsec
BICK Pulse Width High	tBCKH	14	-	-	nsec
BICK "↑" to LRCK Edge (Note 39)	tBLR	14	-	-	nsec
LRCK Edge to BICK "↑" (Note 39)	tLRB	14	-	-	nsec
SDATA Hold Time	tSDH	5	-	-	nsec
SDATA Setup Time	tSDS	5	-	-	nsec
TDM256 mode (TDM[1:0] bits = "10")					
BICK Period					
Normal Speed Mode	tBCK	1/256fsn	-	-	nsec
Double Speed Mode (Note 40)	tBCK	1/256fsd	-	-	nsec
BICK Pulse Width Low	tBCKL	14	-	-	nsec
BICK Pulse Width High	tBCKH	14	-	-	nsec
BICK "↑" to LRCK Edge (Note 39)	tBLR	14	-	-	nsec
LRCK Edge to BICK "↑" (Note 39)	tLRB	14	-	-	nsec
TDMO Setup time BICK "↑"	tBSS	5	-	-	nsec
TDMO Hold time BICK "↑" (Note 42)	tBSH	5	-	-	nsec
SDATA Hold Time	tSDH	5	-	-	nsec
SDATA Setup Time	tSDS	5	-	-	nsec
TDM512 mode (TDM[1:0] bits = "11")					
BICK Period					
Normal Speed Mode (Note 41)	tBCK	1/512fsn	-	-	nsec
BICK Pulse Width Low	tBCKL	14	-	-	nsec
BICK Pulse Width High	tBCKH	14	-	-	nsec
BICK "↑" to LRCK Edge (Note 39)	tBLR	14	-	-	nsec
LRCK Edge to BICK "↑" (Note 39)	tLRB	14	-	-	nsec
TDMO Setup time BICK "↑"	tBSS	5	-	-	nsec
TDMO Hold time BICK "↑" (Note 42)	tBSH	5	-	-	nsec
SDATA Hold Time	tSDH	5	-	-	nsec
SDATA Setup Time	tSDS	5	-	-	nsec

Note 39. BICK rising edge must not occur at the same time as LRCK edge.

Note 40. Daisy Chain Mode, fsd (max) = 96 kHz if "TVDD < 3.0V".

Note 41. Daisy Chain Mode, fsn (max) = 48 kHz if "TVDD < 3.0V".

Note 42. LDOE pin = "L", tBSH (min) = 4 nsec if "TVDD > 2.6V".

Parameter	Symbol	Min.	Typ.	Max.	Unit
PCM Audio Interface Timing					
External Digital Filter Mode					
BCK Period	tB	27	-	-	nsec
BCK Pulse Width Low	tBL	10	-	-	nsec
BCK Pulse Width High	tBH	10	-	-	nsec
BCK “↑” to WCK Edge	tBW	5	-	-	nsec
WCK Period	tWCK	1.3	-	-	usec
WCK Edge to BCK “↑”	tWB	5	-	-	nsec
WCK Pulse Width Low	tWCKL	54	-	-	nsec
WCK Pulse Width High	tWCKH	54	-	-	nsec
DINL/R Hold Time	tDH	5	-	-	nsec
DINL/R Setup Time	tDS	5	-	-	nsec
DSD Audio Interface Timing					
Sampling Frequency	fs	30		48	kHz
(64fs mode, DSDSEL [1:0] bits = “00”)					
DCLK Period	tDCK	-	1/64fs	-	nsec
DCLK Pulse Width Low	tDCKL	144	-	-	nsec
DCLK Pulse Width High	tDCKH	144	-	-	nsec
DCLK Edge to DSDL/R (Note 43)	tDDD	-20	-	20	nsec
(128fs mode, DSDSEL [1:0] bits = “01”)					
DCLK Period	tDCK	-	1/128fs	-	nsec
DCLK Pulse Width Low	tDCKL	72	-	-	nsec
DCLK Pulse Width High	tDCKH	72	-	-	nsec
DCLK Edge to DSDL/R (Note 43)	tDDD	-10	-	10	nsec
(256fs mode, DSDSEL [1:0] bits = “10”)					
DCLK Period	tDCK	-	1/256fs	-	nsec
DCLK Pulse Width Low	tDCKL	36	-	-	nsec
DCLK Pulse Width High	tDCKH	36	-	-	nsec
DCLK Edge to DSDL/R (Note 43)	tDDD	-5	-	5	nsec
(512fs mode, DSDSEL [1:0] bit = “11”)					
DCLK Period	tDCK	-	1/512fs	-	nsec
DCLK Pulse Width Low	tDCKL	18	-	-	nsec
DCLK Pulse Width High	tDCKH	18	-	-	nsec
DSDL/R Setup Time	tDDS	5	-	-	nsec
DSDL/R Hold Time	tDDH	5	-	-	nsec

Note 43. DSD data transmitting device must meet this time. “tDDD” is defined from DCLK “↓” until DSDL/R edge when DCKB bit = “0” (default), “tDDD” is defined from DCLK “↑” until DSDL/R edge when DCKB bit = “1”. If the audio data format is in phase modulation mode, “tDDD” is defined from DCLK edge “↓” or “↑” until DSDL/R edge regardless of DCKB bit setting.

Note 44. The AK4497 does not support Phase Modulation Mode in DSD512fs Mode.

Parameter	Symbol	Min.	Typ.	Max.	Unit
Control Interface Timing (3-wire IF mode):					
CCLK Period	tCCK	200	-	-	nsec
CCLK Pulse Width Low	tCCKL	80	-	-	nsec
CCLK Pulse Width High	tCCKH	80	-	-	nsec
CDTI Setup Time	tCDS	40	-	-	nsec
CDTI Hold Time	tCDH	40	-	-	nsec
CSN "H" Time	tCSW	150	-	-	nsec
CSN "↓" to CCLK "↑"	tCSS	50	-	-	nsec
CCLK "↑" to CSN "↑"	tCSH	50	-	-	nsec
Control Interface Timing (I²C Bus mode):					
SCL Clock Frequency	fSCL	-	-	400	kHz
Bus Free Time Between Transmissions	tBUF	1.3	-	-	usec
Start Condition Hold Time (prior to first clock pulse)	tHD:STA	0.6	-	-	usec
Clock Low Time	tLOW	1.3	-	-	usec
Clock High Time	tHIGH	0.6	-	-	usec
Setup Time for Repeated Start Condition	tSU:STA	0.6	-	-	usec
SDA Hold Time from SCL Falling (Note 45)	tHD:DAT	0	-	-	usec
SDA Setup Time from SCL Rising	tSU:DAT	0.1	-	-	usec
Rise Time of Both SDA and SCL Lines	tR	-	-	0.3	usec
Fall Time of Both SDA and SCL Lines	tF	-	-	0.3	usec
Setup Time for Stop Condition	tSU:STO	0.6	-	-	usec
Pulse Width of Spike Noise Suppressed by Input Filter	tSP	0	-	50	nsec
Capacitive load on bus	Cb	-	-	400	pF
Power-down & Reset Timing (Note 46)					
PDN Accept Pulse Width	tAPD	150	-	-	nsec
PDN Reject Pulse Width	tRPD	-	-	30	nsec

Note 45. Data must be held for sufficient time to bridge the 300 ns transition time of SCL.

Note 46. The AK4497 should be reset by bringing the PDN pin "L" upon power-up.

Note 47. I²C -bus is a trademark of NXP B.V.

■ Timing Diagram

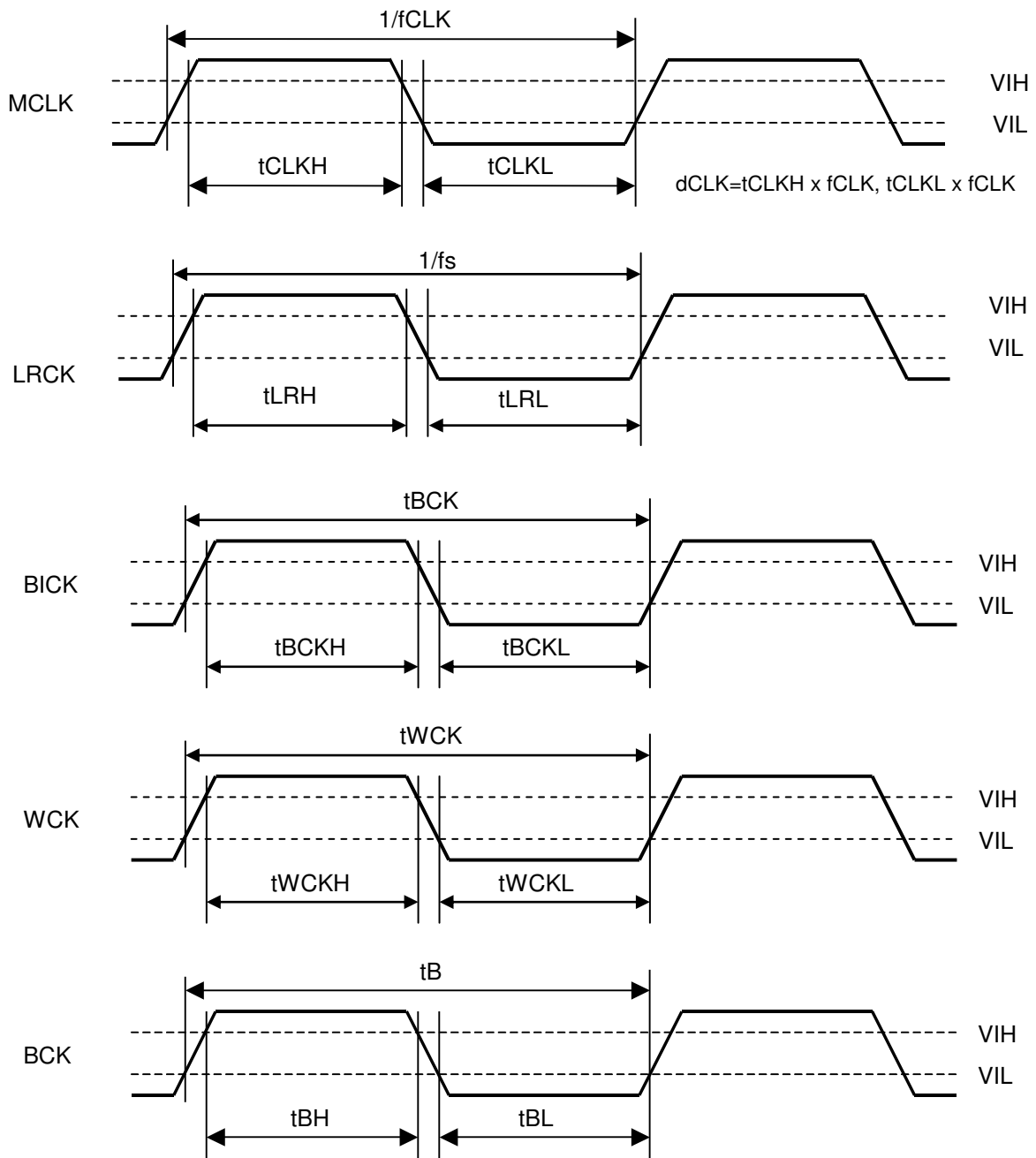


Figure 13. Clock Timing

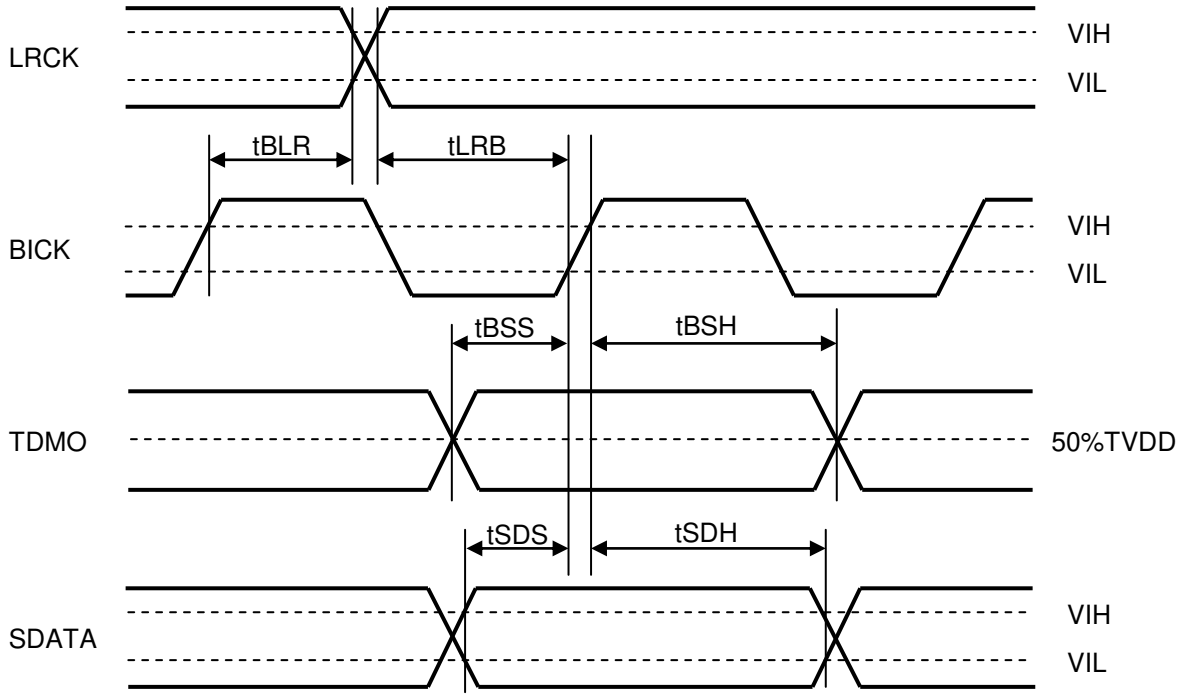


Figure 14. Audio Interface Timing (PCM Mode)

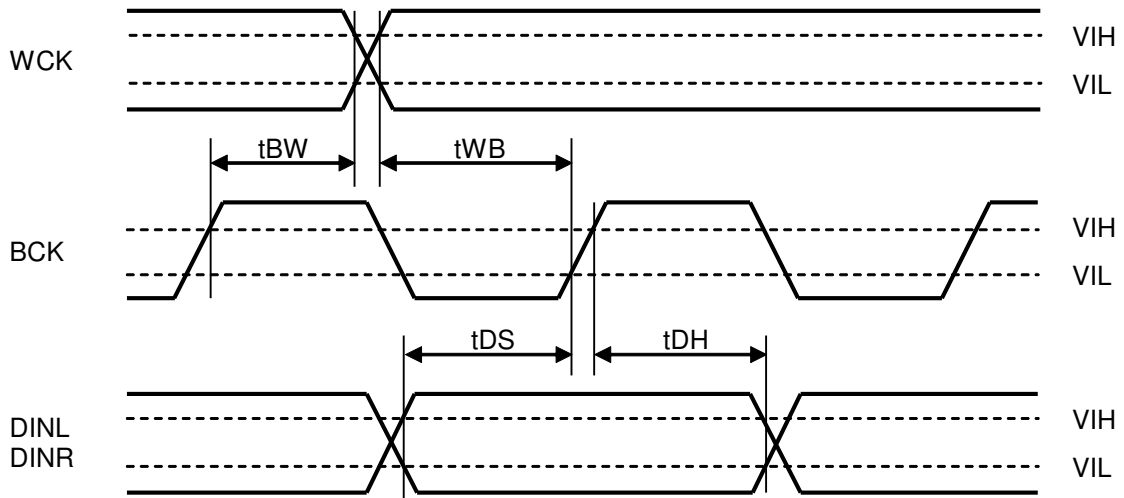
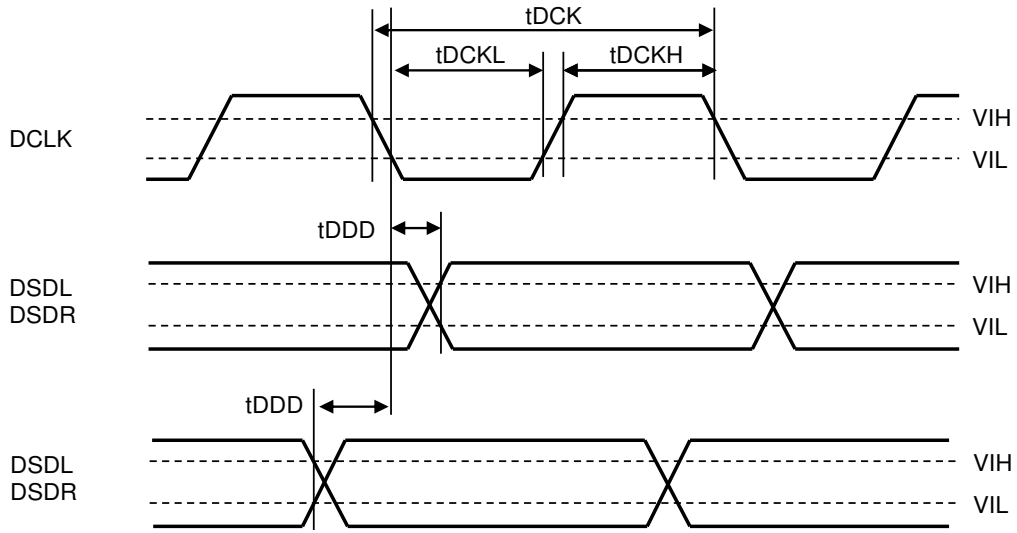
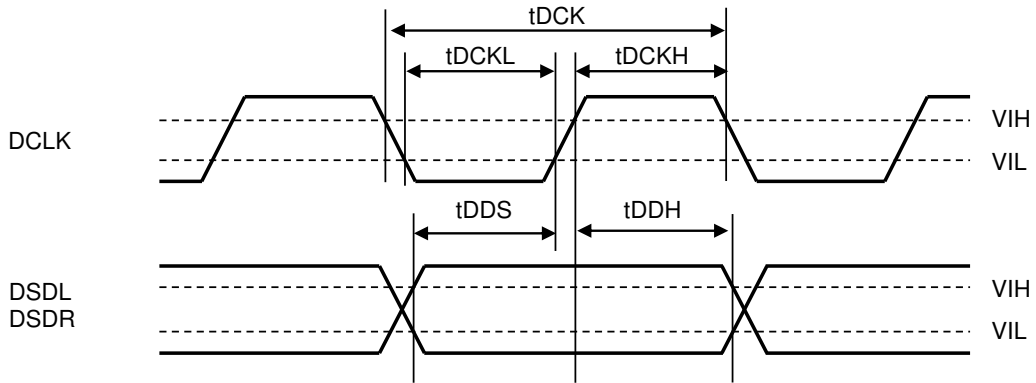


Figure 15. Audio Interface Timing (External Digital Filter I/F Mode)



DSD Audio Interface Timing (DSD64fs, 128fs, 256fs Mode)



DSD Audio Interface Timing (DSD512fs Mode)

Figure 16. Audio Interface Timing (DSD Normal Mode, DCKB bit = "0")

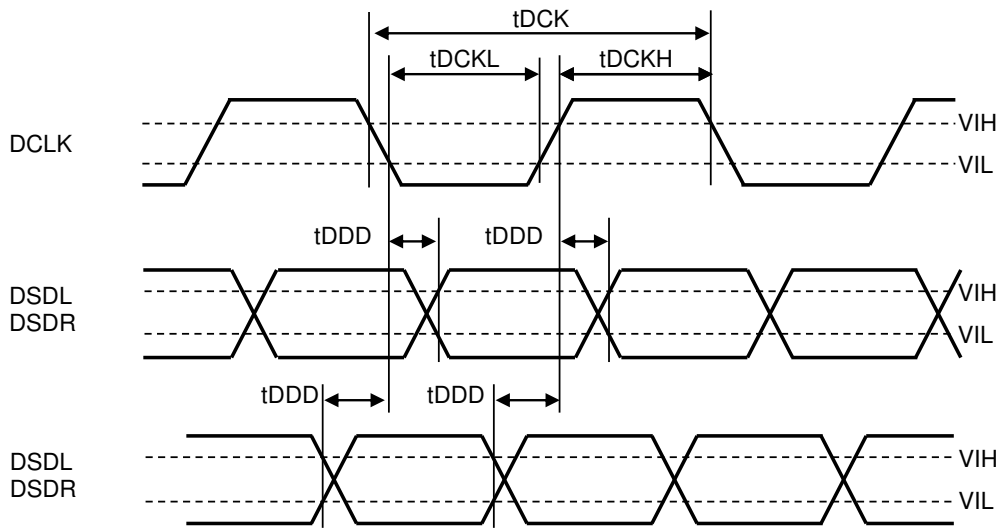


Figure 17. Audio Interface Timing (DSD Phase Modulation Mode, DCKB bit = "0")

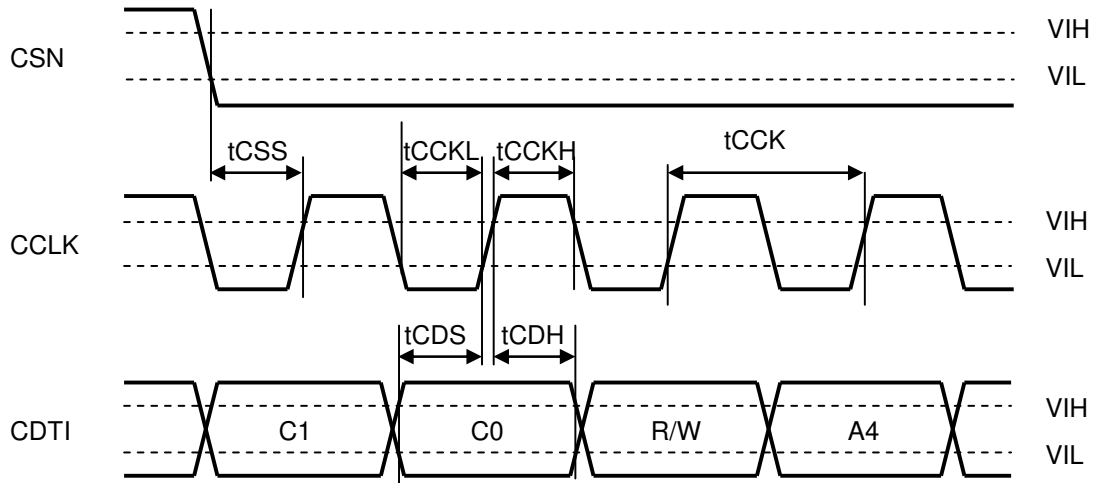


Figure 18. WRITE Command Input Timing

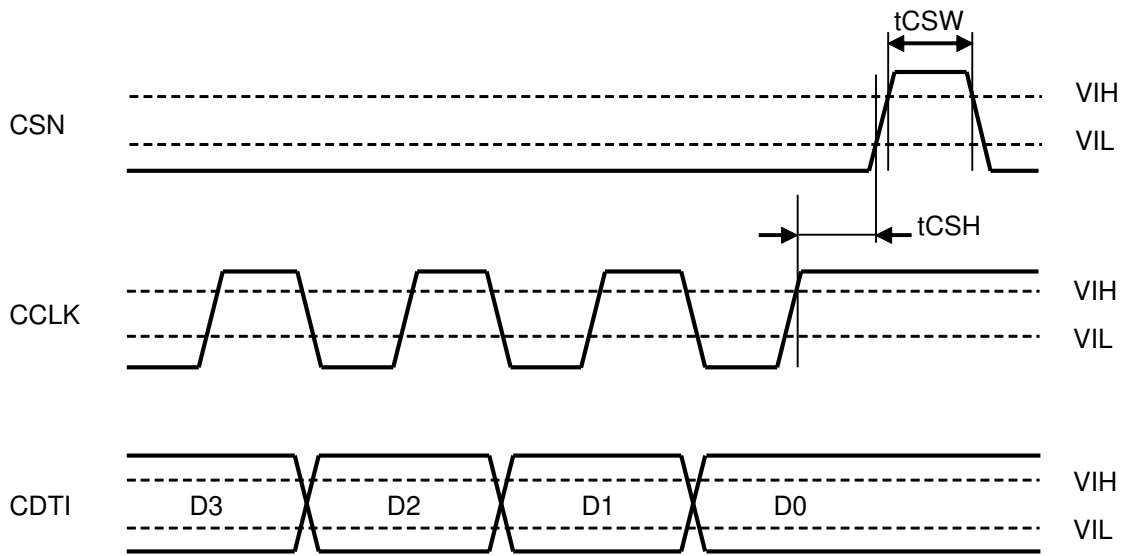


Figure 19. WRITE Data Input Timing

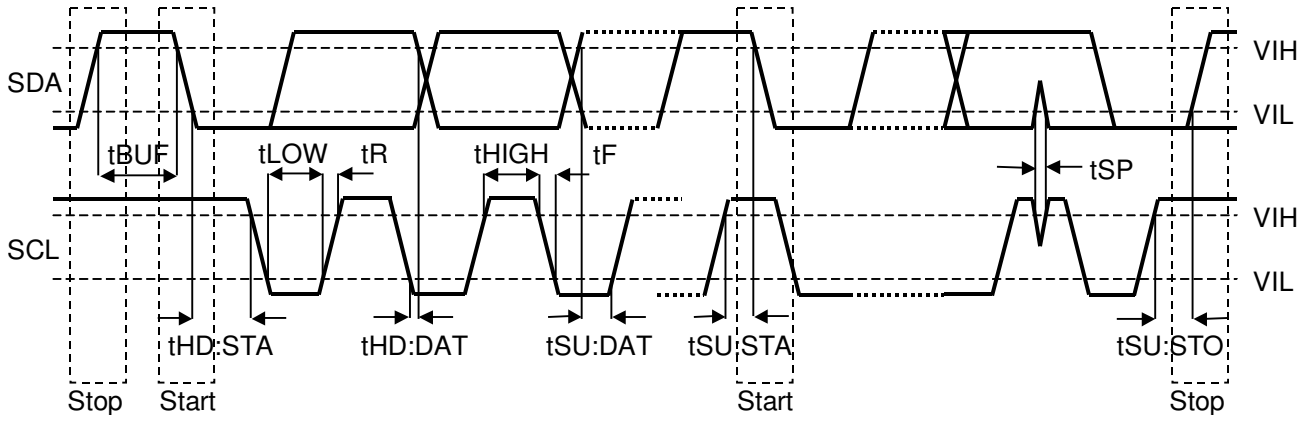


Figure 20. I²C Bus Mode Timing

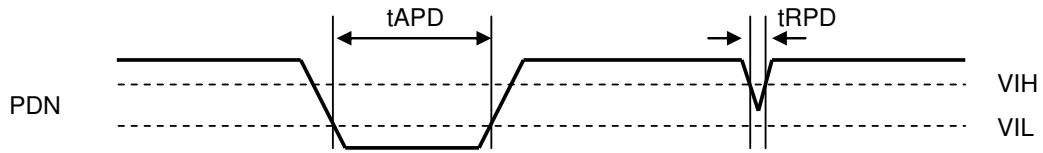


Figure 21. Power Down & Reset Timing

9. Functional Descriptions

Each function of the AK4497 is controlled by Pins (pin control mode) and Registers (register control mode) (Table 1). Select the control mode by setting the PSN pin. The AK4497 must be powered down when changing the PSN pin setting. There is a possibility of malfunction if the device is not powered down when changing the control mode since the previous setting is not initialized. Register settings are invalid in pin control mode, and pin settings are invalid in register control mode.

Table 2 shows available functions of each control mode and Table 3 shows available functions in PCM/DSD/EXDF mode.

Table 1. Pin/Register Control Mode Select

PSN pin	Control Mode
L	Register Control Mode
H	Pin Control Mode

Table 2. Function List @Pin/Register Control Mode

Function	Pin Control Mode	Register Control Mode
DSD/EXDF Mode Select	-	Y
System Clock Setting Select	Y	Y
Audio Format Select	Y	Y
TDM Mode	Y	Y
Digital Filter Select	Y	Y
De-emphasis Filter Select	Y	Y
Digital Attenuator	-	Y
Zero Detection	-	Y
Mono Mode	-	Y
Output signal select (Monaural, Channel select)	-	Y
Output signal polarity select (Invert)	Y	Y
Sound Color Select	-	Y
DSD Full Scale Detect	-	Y
Soft Mute	Y	Y
Register Reset	-	Y
Synchronization	-	Y
Resistor Control	-	Y
Gain Control	Y	Y
Heavy Load Mode	Y	Y

(Y: Available, -: Not available)

Table 3. Function List of PCM/EXDF/DSD mode @Register Control Mode

Function	Default	Add	Bit	PCM	EXDF	DSD
PCM/DSD/EXDF Mode Select	PCM mode	00H 02H	EXDF DP	Y	Y	Y
System clock setting @DSD mode	512fs	02H	DCKS	-	-	Y
System clock setting @EXDF mode	16fs(fs=44.1kHz)	00H	ECS	-	Y	-
Digital Filter select @DSD mode	39kHz filter	09H	DSDF	-	-	Y
Digital Filter select @PCM mode	Short delay sharp roll off filter	01-02-05H	SD SLOW SSLOW	Y	-	-
De-emphasis Response	OFF	01H	DEM[1:0]	Y	-	-
Path select @ DSD mode	Normal Path	06H	DSDD	-	-	Y
Audio Data Interface Format @ PCM Mode	32bit MSB	00H	DIF[2:0]	Y	-	-
Audio Data Interface Format @ EXDF Mode	32bit LSB	00H	DIF[2:0]	-	Y	-
TDM Interface Format	Normal Mode	0AH	TDM[1:0]	Y	-	-
Daisy Chain	Normal Mode	0BH	DCHAIN	Y	-	-
Attenuation Level	0dB	03-04H	ATT[7:0]	Y	Y	Y
Data Zero Detect Enable	Disable	01H	DZFE	Y	Y	Y
Inverting Enable of DZF	"H" active	02H	DZFB	Y	Y	Y
Mono/Stereo mode select	Stereo	02H	MONO	Y	Y	Y
Data Invert mode select	OFF	05H	INVL/R	Y	Y	Y
The data selection of L channel and R channel	R channel	02H	SELLR	Y	Y	Y
Sound Color Select	Off	08H	SC[2:0]	Y	Y	Y
DSD Mute Function @ Full scale Detected	Disable	06H	DDM	-	-	Y
Soft Mute Enable	Normal Operation	01H	SMUTE	Y	Y	Y
RSTN	Reset	00H	RSTN	Y	Y	Y
Synchronization	Enable	07H	SYNCE	Y	Y	-

(Y: Available, N/A: Not available)

■ D/A Conversion Mode (PCM Mode, DSD Mode, EXDP Mode)

The AK4497 can perform D/A conversion for either PCM data or DSD data. The DP bit controls PCM/DSD mode. When DSD mode, DSD data can be input from the #16, #17 and #19 pins if DSDPATH bit = "0" and DSD data can be input from the #3, #4, and #5 pins if DSDPATH bit = "1". The AK4497 must be reset by setting RSTN bit = "0" when PSM/DSD mode is changed by DP bit or when DSD signal input pins are changed by DSDPATH bit. It takes about 2 ~ 3/fs to change the mode. Wait 4/fs or more to change RSTN bit after changing these settings.

When the AK4497 is in pin control mode, PCM mode is only available. External digital filter I/F can be selected by setting DP bit = "0" and EXDF bit = "1". When using an external digital filter (EXDF I/F mode), data is input to each MCLK, BCK, WCK, DINL and DINR pin. EXDF bit controls the modes. When switching internal and external digital filters by EXDF bit, the AK4497 must be reset by RSTN bit. A Digital filter switching takes 2~3k/fs. The AK4497 is in DSD mode when DP bit = "1" and EXDF bit "1".

Table 4. PCM/DSD/EXDF Mode Control

DP bit	EXDF bit	DSDPATH bit	D/A Conv. Mode	Pin Assignment					
				#3 pin	#4 pin	#5 pin	#16 pin	#17 pin	#19 pin
0 (default)	0 (default)	x	PCM	BICK	SDATA	LRCK	Not Use	Not Use	Not Use
1	x	0 (default)	DSD	Not Use	Not Use	Not Use	DSDL	DSDR	DCLK
1	x	1	DSD	DCLK	DSDL	DSDR	Not Use	Not Use	Not Use
0	1	x	EXDF	BCK	DINL	DINR	Not Use	Not Use	Not Use

(x: Do not care)

■ D/A Conversion Mode Switching Timing

Figure 22 and Figure 23 show switching timing of PCM/EXDF and DSD modes. To prevent noise caused by excessive input, DSD signal should be input 4/fs after setting RSTN bit = "0" until the device is completely reset internally when the conversion mode is changed to DSD mode from PCM/ESDF mode. DSD signal should be stopped 4/fs after setting RSTN bit = "0" until the device is completely reset internally when the conversion mode is changed to PCM/EXDE from DSD mode.

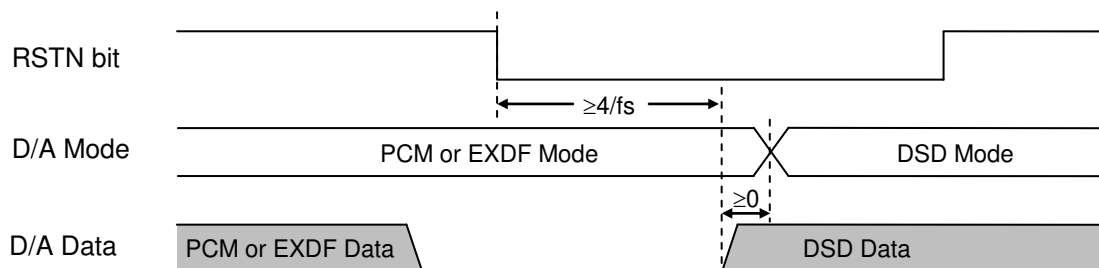


Figure 22. D/A Mode Switching Timing (from PCM/EXDF to DSD)

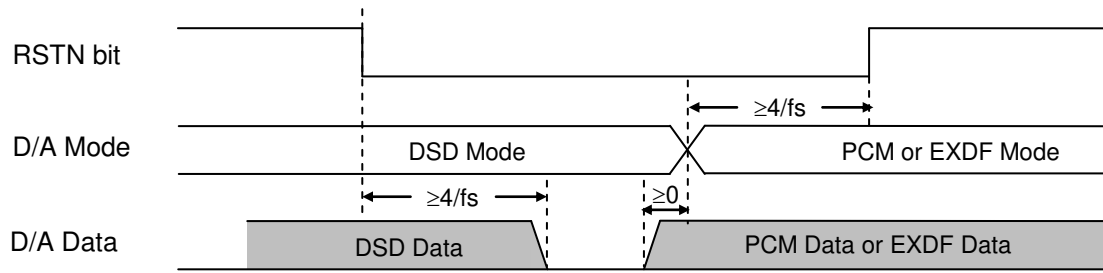


Figure 23. D/A Mode Switching Timing (from DSD/PCM or EXDF)

Figure 24 shows switching timing of PCM and EXDF modes. Set EXDF bit $4/f_s$ after setting RSTN bit = "0" until the device is completely reset internally when changing the conversion mode.

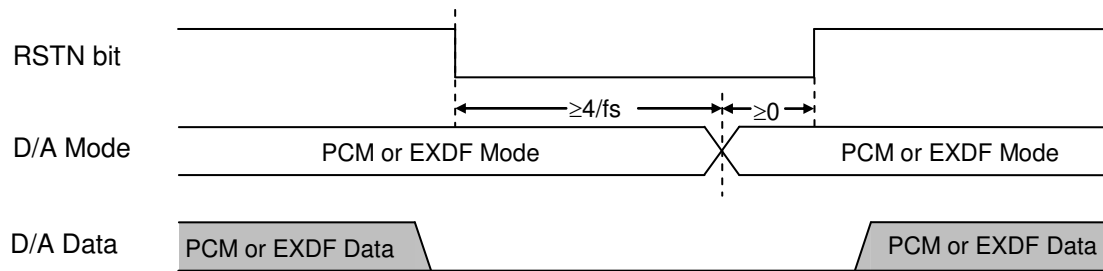


Figure 24. D/A Mode Switching Timing (PCM ↔ EXDF)

■ System Clock

[1] PCM Mode

The external clocks, which are required to operate the AK4497, are MCLK, BICK and LRCK. MCLK, BICK and LRCK should be synchronized but the phase is not critical. The MCLK is used to operate the digital interpolation filter, the delta-sigma modulator and SCF.

There are Manual Setting Mode, Auto Setting Mode and Fs Auto Detection mode for MCLK frequency setting. In manual setting mode (ACKS pin="L" or ACKS bit="0"), MCLK frequency is set automatically but the sampling speed (LRCK frequency) is set by DFS[2:0] bits (Table 6). Sampling frequency is fixed to normal speed mode in pin control mode (PSN pin = "H"), and it is set by DFS[2:0] bits in register control mode (PSN pin = "L"). In register control mode, the AK4497 is in manual setting mode when power-down is released (PDN pin = "L" → "H").

In auto setting mode (ACKS pin = "H" or ACKS bit="1"), sampling speed and MCLK frequency are detected automatically (Table 7, Table 11) and then the initial master clock is set to the appropriate frequency (Table 8, Table 15, Table 16).

In FS auto detect mode (AFSD bit= "1"), sampling speed is automatically detected (Table 7, Table 11) and the initial master clock is set to the appropriate frequency. In this mode, ACKS bit and DFS[2:0] bits settings are invalid. Fs auto detect mode is not supported by pin control mode.

The AK4497 is automatically placed in power-down state when MCLK is stopped for more than 1us during a normal operation (PDN pin = "H"), and the analog output becomes Hi-z state. When MCLK is input again, the AK4497 exits power-down state and starts operation. The AK4497 is in power-down mode until MCLK BICK and LRCK are supplied and the analog output is floating state.

Table 5. System Clock Setting Mode @Register Control Mode

AFSD bit	ACKS bit	Mode
0	0	Manual setting Mode
	1	Auto setting Mode
1	x	FS Auto Detect Mode

(default)

(x: Do not care)

(1) Pin Control Mode (PSN pin = "H")**(1)-1. Manual Setting Mode (ACKS pin = "L")**

The MCLK frequency corresponding to each sampling speed should be provided externally (Table 6). DFS1-0 bits are fixed to "00". In this mode, quad speed and double speed modes are not available.

Table 6. System Clock Example (Manual Setting Mode @Pin Control Mode)

LRCK fs	MCLK (MHz)							BICK 64fs
	128fs	192fs	256fs	384fs	512fs	768fs	1152fs	
32.0kHz	N/A	N/A	8.1920	12.2880	16.3840	24.5760	36.8640	2.0480MHz
44.1kHz	N/A	N/A	11.2896	16.9344	22.5792	33.8688	N/A	2.8224MHz
48.0kHz	N/A	N/A	12.2880	18.4320	24.5760	36.8640	N/A	3.0720MHz

(N/A: Not available)

(1)-2. Auto Setting Mode (ACKS pin = "H")

In auto setting mode, MCLK frequency and sampling frequency are detected automatically (Table 7). MCLK of corresponded frequency to each sampling speed mode should be input externally (Table 8).

Table 7. Sampling Speed (Auto Setting Mode @Pin Control Mode)

MCLK		Sampling Speed
1152fs		Normal (fs≤32kHz)
512fs/256fs	768fs/384fs	Normal
256fs	384fs	Double
128fs	192fs	Quad
64fs	96fs	Oct
32fs	48fs	Hex

Table 8. System Clock Example (Auto Setting Mode @Pin Control Mode)

LRCK Fs	MCLK(MHz)						Sampling Speed
	32fs	48fs	64fs	96fs	128fs	192fs	
32.0kHz	N/A	N/A	N/A	N/A	N/A	N/A	Normal
44.1kHz	N/A	N/A	N/A	N/A	N/A	N/A	
48.0kHz	N/A	N/A	N/A	N/A	N/A	N/A	
88.2kHz	N/A	N/A	N/A	N/A	N/A	N/A	Double
96.0kHz	N/A	N/A	N/A	N/A	N/A	N/A	
176.4kHz	N/A	N/A	N/A	N/A	22.5792	33.8688	Quad
192.0kHz	N/A	N/A	N/A	N/A	24.5760	36.8640	
384kHz	N/A	N/A	24.576	36.864	N/A	N/A	Oct
768kHz	24.576	36.864	N/A	N/A	N/A	N/A	Hex

(N/A: Not available)

Table 9. System Clock Example 2 (Auto Setting Mode @Pin Control Mode)

LRCK	MCLK(MHz)						Sampling Speed
	Fs	256fs	384fs	512fs	768fs	1024fs	
32.0kHz	8.1920	12.2880	16.3840	24.5760	32.7680	36.8640	Normal
44.1kHz	11.2896	16.9344	22.5792	33.8688	N/A	N/A	
48.0kHz	12.2880	18.4320	24.5760	36.8640	N/A	N/A	
88.2kHz	22.5792	33.8688	N/A	N/A	N/A	N/A	Double
96.0kHz	24.5760	36.8640	N/A	N/A	N/A	N/A	
176.4kHz	N/A	N/A	N/A	N/A	N/A	N/A	Quad
192.0kHz	N/A	N/A	N/A	N/A	N/A	N/A	
384kHz	N/A	N/A	N/A	N/A	N/A	N/A	Oct
768kHz	N/A	N/A	N/A	N/A	N/A	N/A	Hex

(N/A: Not available)

When MCLK= 256fs/384fs, auto setting mode supports sampling rate of 8kHz~96kHz (Table 10). However, the DR and S/N performances will degrade approximately 3dB as compared to when MCLK = 256fs/384fs for DR and MCLK= 512fs/768fs for S/N, respectively if the sampling rate is under 54kHz.

Table 10. DR and S/N Relationship with MCLK Frequency (fs = 44.1kHz)

ACKS pin	MCLK	DR, S/N (A-weighted)
L	256fs/384fs/512fs/768fs	128dB
H	256fs/384fs	125dB
H	512fs/768fs	128dB

(2) Register Control Mode (PSN pin = "L")**(2)-1. Manual Setting Mode (AFSD bit="0", ACKS bit="0")**

MCLK frequency is detected automatically and the sampling speed is set by DFS[2:0] bits (Table 11). The MCLK frequency corresponding to each sampling speed that should be provided externally (Table 12, Table 14). The AK4497 is set to Manual Setting Mode at power-up (PDN pin = "L" → "H"). When DFS2-0 bits are changed, the AK4497 should be reset by RSTN bit.

Table 11. Sampling Speed (Manual Setting Mode @Register Control Mode)

DFS2 bit	DFS1 bit	DFS0 bit	Sampling Rate (fs)		(default)
0	0	0	Normal Speed Mode	8kHz ~ 54kHz	
0	0	1	Double Speed Mode	54kHz ~ 108kHz	
0	1	0	Quad Speed Mode	120kHz ~ 216kHz	
0	1	1	Quad Speed Mode	120kHz ~ 216kHz	
1	0	0	Oct Speed Mode	216kHz ~ 388kHz	
1	0	1	Hex Speed Mode	388kHz ~ 776kHz	
1	1	0	Oct Speed Mode	216kHz ~ 388kHz	
1	1	1	Hex Speed Mode	388kHz ~ 776kHz	

Table 12. System Clock Example 1 (Manual Setting Mode @Register Control Mode)

LRCK Fs	MCLK(MHz)						Sampling Speed
	16fs	32fs	48fs	64fs	96fs	128fs	
32.0kHz	N/A	N/A	N/A	N/A	N/A	N/A	Normal
44.1kHz	N/A	N/A	N/A	N/A	N/A	N/A	
48.0kHz	N/A	N/A	N/A	N/A	N/A	N/A	
88.2kHz	N/A	N/A	N/A	N/A	N/A	N/A	Double
96.0kHz	N/A	N/A	N/A	N/A	N/A	N/A	
176.4kHz	N/A	N/A	N/A	N/A	N/A	22.5792	Quad
192.0kHz	N/A	N/A	N/A	N/A	N/A	24.5760	
384kHz	N/A	12.288	18.432	24.576	36.864	N/A	Oct
768kHz	12.288	24.576	36.864	49.152	N/A	N/A	Hex

(N/A: Not available)

Table 13. System Clock Example 2 (Manual Setting Mode @Register Control Mode)

LRCK fs	MCLK(MHz)							Sampling Speed
	192fs	256fs	384fs	512fs	768fs	1024fs	1152fs	
32.0kHz	N/A	8.1920	12.2880	16.3840	24.5760	32.7680	36.8640	Normal
44.1kHz	N/A	11.2896	16.9344	22.5792	33.8688	N/A	N/A	
48.0kHz	N/A	12.2880	18.4320	24.5760	36.8640	N/A	N/A	
88.2kHz	N/A	22.5792	33.8688	45.1584	N/A	N/A	N/A	Double
96.0kHz	N/A	24.5760	36.8640	49.152	N/A	N/A	N/A	
176.4kHz	33.8688	45.1584	N/A	N/A	N/A	N/A	N/A	Quad
192.0kHz	36.8640	49.152	N/A	N/A	N/A	N/A	N/A	
384kHz	N/A	N/A	N/A	N/A	N/A	N/A	N/A	Oct
768kHz	N/A	N/A	N/A	N/A	N/A	N/A	N/A	Hex

(N/A: Not available)

(2)-2. Auto Setting Mode (AFSD bit= "0", ACKS bit = "1")

MCLK frequency and the sampling speed are detected automatically (Table 14) and DFS[2:0] bits are ignored. The MCLK frequency corresponding to each sampling speed should be provided externally (Table 15, Table 16).

Table 14. Sampling Speed (Auto Setting Mode)

MCLK		Sampling Speed
1152fs		Normal (fs≤32kHz)
512fs/256fs	768fs/384fs	Normal
256fs	384fs	Double
128fs	192fs	Quad
64fs	96fs	Oct
32fs	48fs	Hex

Table 15. System Clock Example (Auto Setting Mode)

LRCK fs	MCLK(MHz)					Sampling Speed
	32fs	48fs	64fs	96fs	128fs	
32.0kHz	N/A	N/A	N/A	N/A	N/A	Normal
44.1kHz	N/A	N/A	N/A	N/A	N/A	
48.0kHz	N/A	N/A	N/A	N/A	N/A	
88.2kHz	N/A	N/A	N/A	N/A	N/A	
96.0kHz	N/A	N/A	N/A	N/A	N/A	Double
176.4kHz	N/A	N/A	N/A	N/A	22.5792	Quad
192.0kHz	N/A	N/A	N/A	N/A	24.5760	
384kHz	N/A	N/A	24.576	36.864	N/A	Oct
768kHz	24.576	36.864	N/A	N/A	N/A	Hex

(N/A: Not available)

Table 16. System Clock Example (Auto Setting Mode)

LRCK fs	MCLK(MHz)						Sampling Speed
	192fs	256fs	384fs	512fs	768fs	1152fs	
32.0kHz	N/A	8.1920	12.2880	16.3840	24.5760	36.8640	Normal
44.1kHz	N/A	11.2896	16.9344	22.5792	33.8688	N/A	
48.0kHz	N/A	12.2880	18.4320	24.5760	36.8640	N/A	
88.2kHz	N/A	22.5792	33.8688	N/A	N/A	N/A	
96.0kHz	N/A	24.5760	36.8640	N/A	N/A	N/A	Double
176.4kHz	33.8688	N/A	N/A	N/A	N/A	N/A	Quad
192.0kHz	36.8640	N/A	N/A	N/A	N/A	N/A	
384kHz	N/A	N/A	N/A	N/A	N/A	N/A	Oct
768kHz	N/A	N/A	N/A	N/A	N/A	N/A	Hex

(N/A: Not available)

When MCLK= 256fs/384fs, auto setting mode supports sampling rate from 8kHz to 96kHz (Table 14). However, the DR and S/N performances will degrade approximately 3dB as compared to when MCLK = 256fs/384fs for DR and MCLK= 512fs/768fs for S/N, respectively if the sampling rate is under 54kHz.

Table 17. DR and S/N Relationship with MCLK Frequency (fs = 44.1kHz)

ACKS bit	MCLK	DR, S/N (A-weighted)
0	256fs/384fs/512fs/768fs	128dB
1	256fs/384fs	125dB
	512fs/768fs	128dB

(2)-3. Sampling Frequency (FS) Auto Detect Mode (AFSD bit= "1")

MCLK frequency and the sampling rate is detected automatically (Table 14). In this mode, DFS[2:0] bits and ACKS bit settings are invalid. The MCLK frequency corresponding to each sampling speed should be provided externally (Table 18, Table 19). Internal operation sequence in FS auto detect mode is shown in Figure 25.

Table 18. System Clock Example 1 @PCM Mode

LRCK fs	MCLK(MHz)						Sampling Speed
	16fs	32fs	48fs	64fs	96fs	128fs	
32.0kHz	N/A	N/A	N/A	N/A	N/A	N/A	Normal
44.1kHz	N/A	N/A	N/A	N/A	N/A	N/A	
48.0kHz	N/A	N/A	N/A	N/A	N/A	N/A	
88.2kHz	N/A	N/A	N/A	N/A	N/A	N/A	Double
96.0kHz	N/A	N/A	N/A	N/A	N/A	N/A	
176.4kHz	N/A	N/A	N/A	N/A	N/A	22.5792	Quad
192.0kHz	N/A	N/A	N/A	N/A	N/A	24.5760	
384kHz	N/A	12.288	18.432	24.576	36.864	N/A	Oct
768kHz	12.288	24.576	36.864	49.152	N/A	N/A	Hex

(N/A: Not available)

Table 19. System Clock Example 2 @PCM Mode

LRCK fs	MCLK(MHz)							Sampling Speed
	192fs	256fs	384fs	512fs	768fs	1024fs	1152fs	
32.0kHz	N/A	8.1920	12.2880	16.3840	24.5760	32.768	36.8640	Normal
44.1kHz	N/A	11.2896	16.9344	22.5792	33.8688	N/A	N/A	
48.0kHz	N/A	12.2880	18.4320	24.5760	36.8640	N/A	N/A	
88.2kHz	N/A	22.5792	33.8688	45.1584	N/A	N/A	N/A	Double
96.0kHz	N/A	24.5760	36.8640	49.152	N/A	N/A	N/A	
176.4kHz	33.8688	45.1584	N/A	N/A	N/A	N/A	N/A	Quad
192.0kHz	36.8640	49.152	N/A	N/A	N/A	N/A	N/A	
384kHz	N/A	N/A	N/A	N/A	N/A	N/A	N/A	Oct
768kHz	N/A	N/A	N/A	N/A	N/A	N/A	N/A	Hex

(N/A: Not available)

(2)-4. FS Auto Detect Mode Enable

Figure 25 and Figure 26 show system timing when switching to FS Auto Detect Mode.

<Switching to FS Auto Detect Mode>

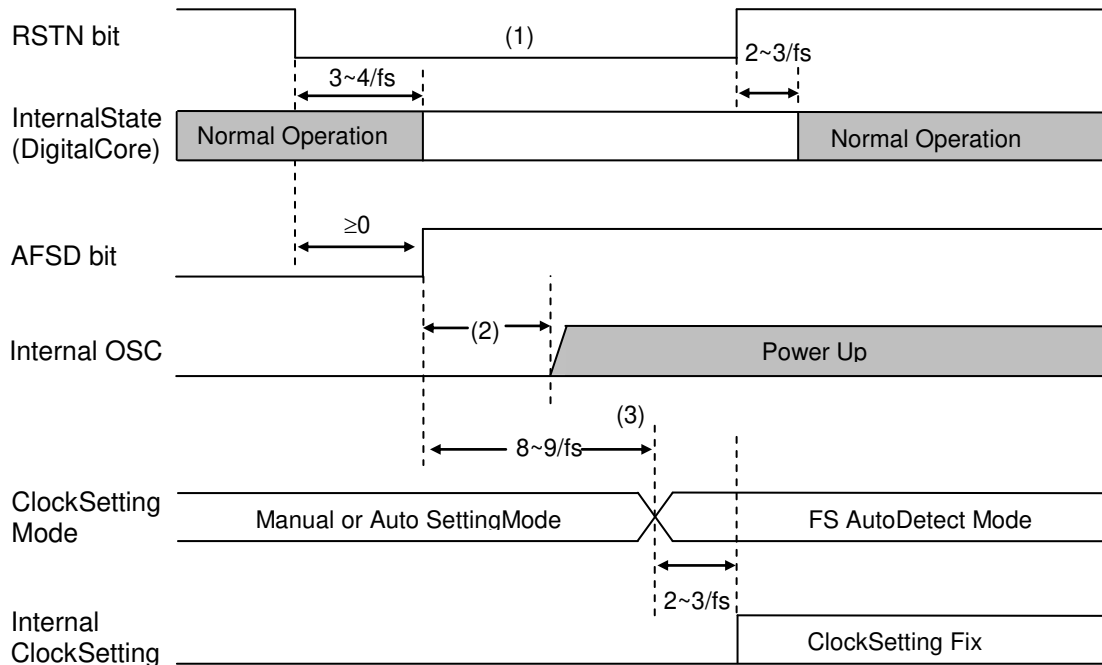


Figure 25. Switching to FS AutoDetect Mode

Notes:

- (1) Digital block of the AK4497 should be reset when changing the clock setting mode. Refer to [Figure 57](#) and [Figure 58](#) for power up sequence.
- (2) The internal oscillator starts operation by setting AFSD bit= "1". It takes 10us (max.) until the internal oscillator is stabilized.
- (3) FS auto detect mode starts in $8/f_s \sim 9/f_s$ after setting AFSD bit= "1". Internal operation rate will be stabilized in $2/f_s \sim 3/f_s$. Digital block should be reset state until the internal operation rate is stabilized.

<Switching to Other Clock Setting Mode from FS Auto Detect Mode>

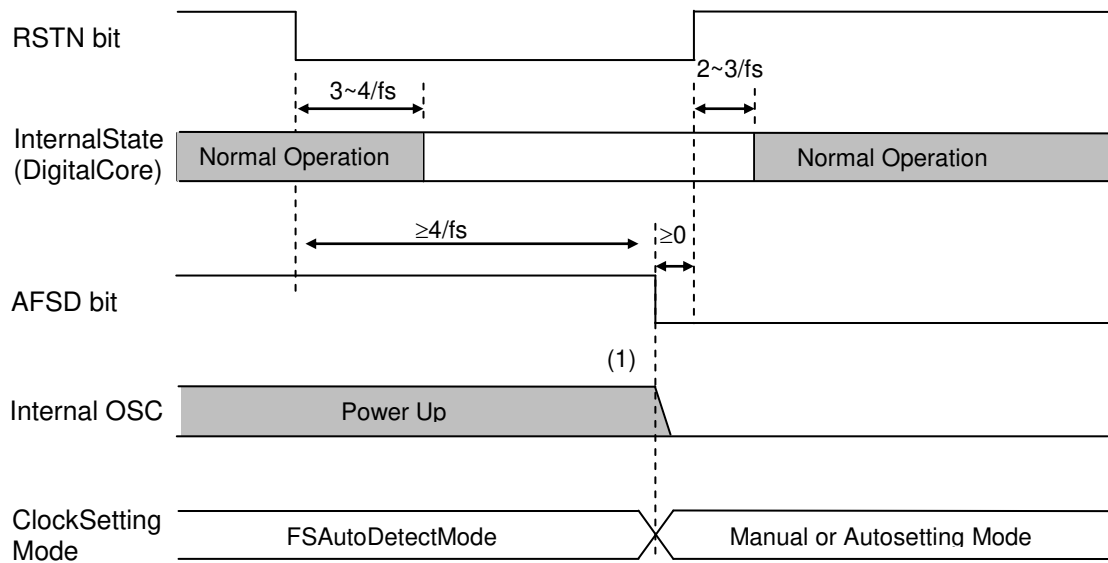


Figure 26. Switching from FS AutoDetect Mode

Note:

- (1) FS auto detect mode ends by setting AFSD bit = "0" and the internal oscillator will stop operation.

[2] DSD Mode

The AK4497 has a DSD playback function. The external clocks that are required in DSD mode are MCLK and DCLK. MCLK should be synchronized with DCLK but the phase is not critical. The frequency of MCLK is set by DCKS bit (Table 20).

The AK4497 is automatically placed in power-down state when MCLK is stopped during a normal operation (PDN pin = "H"), and the analog output becomes Hi-z state. When the reset is released (PDN pin = "L" → "H"), the AK4497 is in power-down state until MCLK and DCLK are input.

Table 20. System Clock (DSD Mode, fs=32kHz, 44.1kHz, 48kHz)

DCKS bit	MCLK Frequency	DCLK Frequency	
0	512fs	64fs/128fs/256fs	(default)
1	768fs	64fs/128fs/256fs	

The AK4497 supports DSD data stream of 2.8224MHz (64fs), 5.6448MHz (128fs), 11.2896MHz (256fs) and 22.5792MHz (512fs). The data sampling speed is selected by DSDSEL[1:0] bits (Table 21). DSDSEL [1:0] bits are changed during RSTN bit = "0".

Table 21. DSD Data Stream Select

DSDSEL1	DSDSEL0	DSD Data Stream			
		fs=32kHz	fs=44.1kHz	fs=48kHz	
0	0	2.048MHz	2.8224MHz	3.072MHz	(default)
0	1	4.096MHz	5.6448MHz	6.144MHz	
1	0	8.192MHz	11.2896MHz	12.288MHz	
1	1	16.284MHz	22.5792MHz	24.576MHz	

The AK4497 has a Volume bypass function for play backing DSD signal. Two modes are selectable by DSDD bit (Table 22). When setting DSDD bit = "1", the output volume control and zero detect functions are not available.

Table 22. DSD Playback Path Select

DSDD	Mode	
0	Normal Path	(default)
1	Volume Bypass	

[3] External Digital Filter Mode (EXDF mode)

The external clocks that are required in EXDF mode are MCLK, BCK and WCK. The BCK and MCLK clocks must be the same frequency and must not burst. BCK and MCLK frequencies for each sampling speed are shown in Table 23. ECS bit selects WCK frequency from 384kHz and 768kHz. DW indicates the number of BCK in one WCK cycle.

All circuits except the internal LDO are automatically placed in power-down state when MCLK edge is not detected for more than 1us during a normal operation (PDN pin = "H"), and the analog output becomes Hi-Z state. The power-down state is released and the AK4497 starts operation by inputting MCLK again. In this case, register settings are not initialized.

When the reset is released (PDN pin = "L" → "H"), the AK4497 is in power-down state until MCLK, BCK and WCK are input.

Table 23. System Clock Example (EXDF mode)

Sampling Speed[kHz]	MCLK&BCK [MHz]						WCK	ECS
	128fs	192fs	256fs	384fs	512fs	768fs		
44.1(30~48)	N/A	N/A	N/A	N/A	22.5792	33.8688	16fs DW	0 (default)
44.1(30~48)	N/A	N/A	11.2896	16.9344	22.5792	33.8688	8fs DW	1
96(54~96)	N/A	N/A	24.576	36.864	N/A	N/A	8fs DW	0
96(54~96)	12.288 32	18.432 48	24.576 64	36.864 96	N/A	N/A	4fs DW	1
192(108~192)	24.576 32	36.864 48	N/A	N/A	N/A	N/A	4fs DW	0
192(108~192)	24.576 64	36.864 96	N/A	N/A	N/A	N/A	2fs DW	1

■ Audio Interface Format

[1] PCM mode

(1) Input Data Format

Data is shifted in via the SDATA pin using BICK and LRCK inputs. Eight data formats are supported and selected by the DIF2-0 pins (Pin control mode) or DIF[2:0] bits (Register control mode) as shown in [Table 24](#). In all formats the serial data is MSB first, 2's complement format and is latched on the rising edge of BICK. Mode 2 can be used for 20-bit and 16-bit MSB justified formats by zeroing the unused LSBs.

Normal Mode (TDM [1:0] bits = "00" or TDM1-0 pins = "LL")

2ch Data is shifted in via the SDATA pin using BICK and LRCK inputs. Eight data formats are supported and selected by the DIF2-0 pins (Pin control mode) or DIF[2:0] bits (Register control mode) as shown in [Table 24](#). In all formats the serial data is MSB first, 2's complement format and is latched on the rising edge of BICK. Mode 6 can be used for 24-bit, 20-bit and 16-bit MSB justified formats by zeroing the unused LSBs.

TDM128 Mode (TDM [1:0] bits = "01" or TDM1-0 pins = "LH")

4ch Data is shifted in via the SDATA pin using BICK and LRCK inputs. Data slot can be selected by SDS [2:0] bits ([Table 25](#)). BICK is fixed to 128fs. Six data formats are supported and selected by the DIF2-0 pins (Pin control mode) or DIF[2:0] bits (Register control mode) as shown in [Table 24](#). In all formats the serial data is MSB first, 2's complement format and is latched on the rising edge of BICK.

TDM256 Mode (TDM [1:0] bits = "10" or TDM1-0 pins = "HL")

8ch Data is shifted in via the SDATA pin using BICK and LRCK inputs. Data slot can be selected by SDS [2:0] bits ([Table 25](#)). BICK is fixed to 256fs. Six data formats are supported and selected by the DIF2-0 pins (Pin control mode) or DIF[2:0] bits (Register control mode) as shown in [Table 24](#). In all formats the serial data is MSB first, 2's complement format and is latched on the rising edge of BICK.

TDM512 Mode (TDM [1:0] bits = "11" or TDM1-0 pins = "HH")

16ch Data is shifted in via the SDATA pin using BICK and LRCK inputs. Data slot can be selected by SDS [2:0] bits ([Table 25](#)). BICK is fixed to 512fs. Six data formats are supported and selected by the DIF2-0 pins (Pin control mode) or DIF[2:0] bits (Register control mode) as shown in [Table 24](#). In all formats the serial data is MSB first, 2's complement format and is latched on the rising edge of BICK.

Table 24. Audio Interface Format

Mode	TDM1 bit	TDM0 bit	DIF2 bit	DIF1 bit	DIF0 bit	SDATA Format	LRCK	BICK	Figure	
Normal (Note 48)	0	0	0	0	0	0	16-bit LSB justified	H/L	≥32fs	Figure 27
	1			0	0	1	20-bit LSB justified	H/L	≥40fs	Figure 28
	2			0	1	0	24-bit MSB justified	H/L	≥48fs	Figure 29
	3			0	1	1	16-bit I ² S Compatible	L/H	32fs	Figure 30
				24-bit I ² S Compatible	L/H	≥48fs				
	4			1	0	0	24-bit LSB justified	H/L	≥48fs	Figure 28
	5			1	0	1	32-bit LSB justified	H/L	≥64fs	Figure 31
	6			1	1	0	32-bit MSB justified	H/L	≥64fs	Figure 32
7	1	1	1	32-bit I ² S Compatible	L/H	≥64fs	Figure 33			
TDM128	8	0	1	0	1	0	24-bit MSB justified	H/L	128fs	Figure 34
	9			0	1	1	24-bit I ² S Compatible	L/H	128fs	Figure 35
	10			1	0	0	24-bit LSB justified	H/L	128fs	Figure 36
	11			1	0	1	32-bit LSB justified	H/L	128fs	Figure 34
	12			1	1	0	32-bit MSB justified	H/L	128fs	Figure 34
	13			1	1	1	32-bit I ² S Compatible	L/H	128fs	Figure 35
TDM256	14	1	0	0	1	0	24-bit MSB justified	H/L	256fs	Figure 37
	15			0	1	1	24-bit I ² S Compatible	L/H	256fs	Figure 38
	16			1	0	0	24-bit LSB justified	H/L	256fs	Figure 39
	17			1	0	1	32-bit LSB justified	H/L	256fs	Figure 37
	18			1	1	0	32-bit MSB justified	H/L	256fs	Figure 37
	19			1	1	1	32-bit I ² S Compatible	L/H	256fs	Figure 38
TDM512	20	1	1	0	1	0	24-bit MSB justified	H/L	512fs	Figure 40
	21			0	1	1	24-bit I ² S Compatible	L/H	512fs	Figure 41
	22			1	0	0	24-bit LSB justified	H/L	512fs	Figure 42
	23			1	0	1	32-bit LSB justified	H/L	512fs	Figure 40
	24			1	1	0	32-bit MSB justified	H/L	512fs	Figure 40
	25			1	1	1	32-bit I ² S Compatible	L/H	512fs	Figure 41

(default)

Note 48. BICK more than setting bit must be input to each channel. In the LRCK column, "H/L" indicates that L channel data can be input when LRCK is "H" and R channel data can be input when LRCK is "L". "L/H" indicates L channel data can be input when LRCK is "L" and R channel data can be input when LRCK is "H".

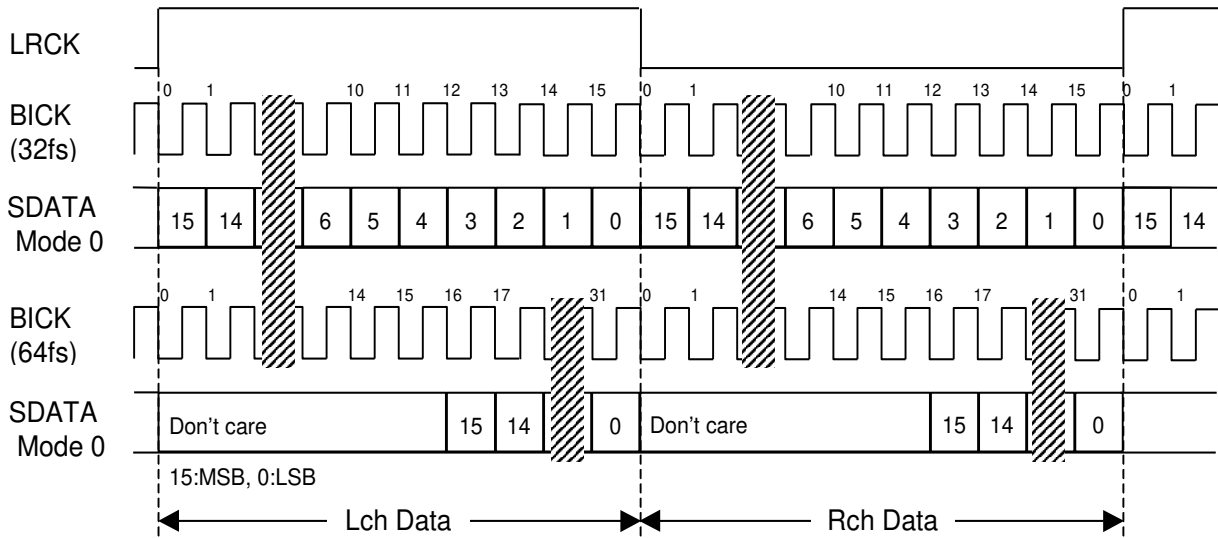


Figure 27. Mode 0 Timing

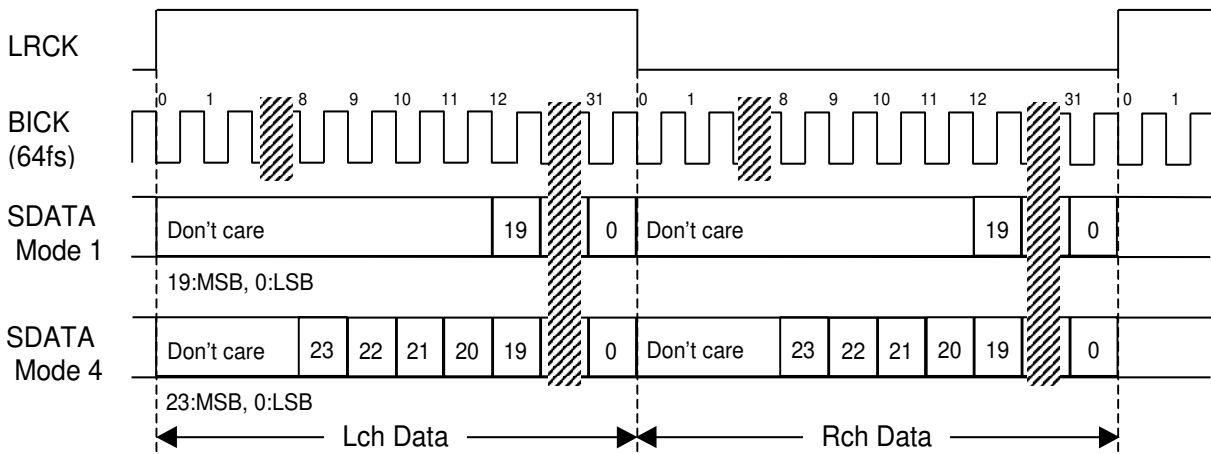


Figure 28. Mode 1, 4 Timing

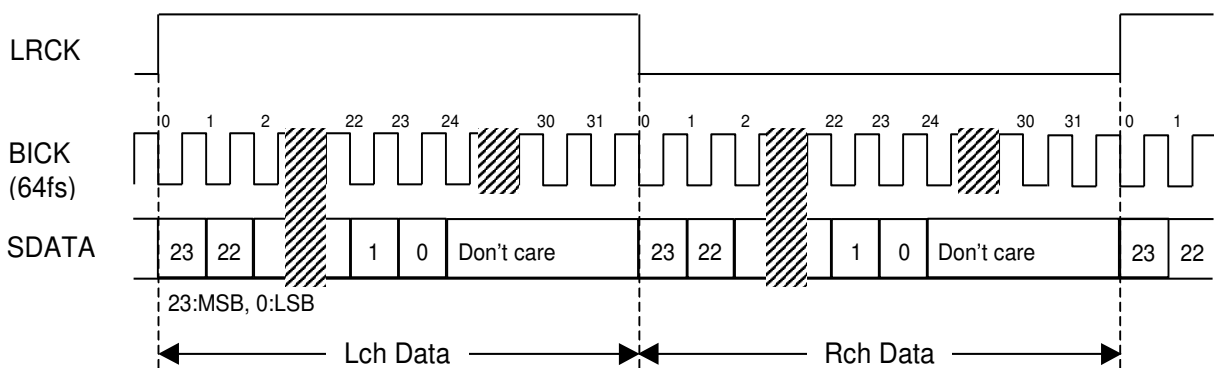


Figure 29. Mode 2 Timing

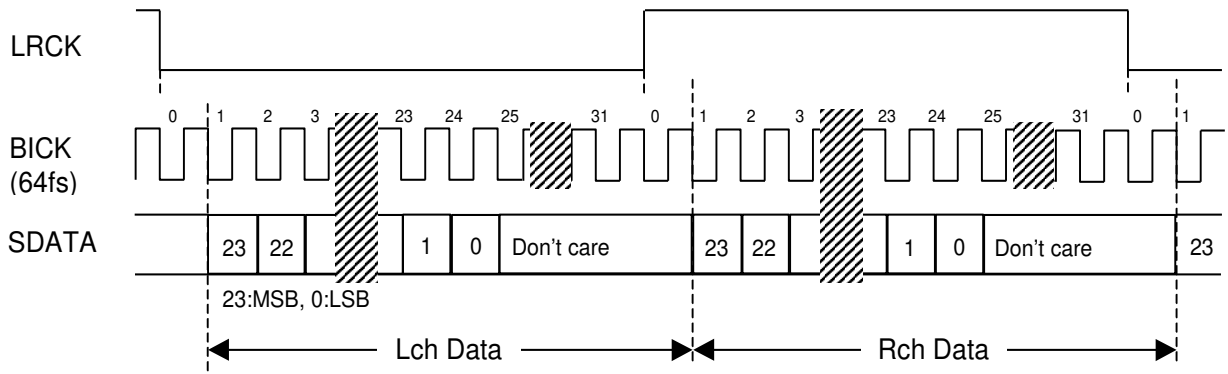


Figure 30. Mode 3 Timing

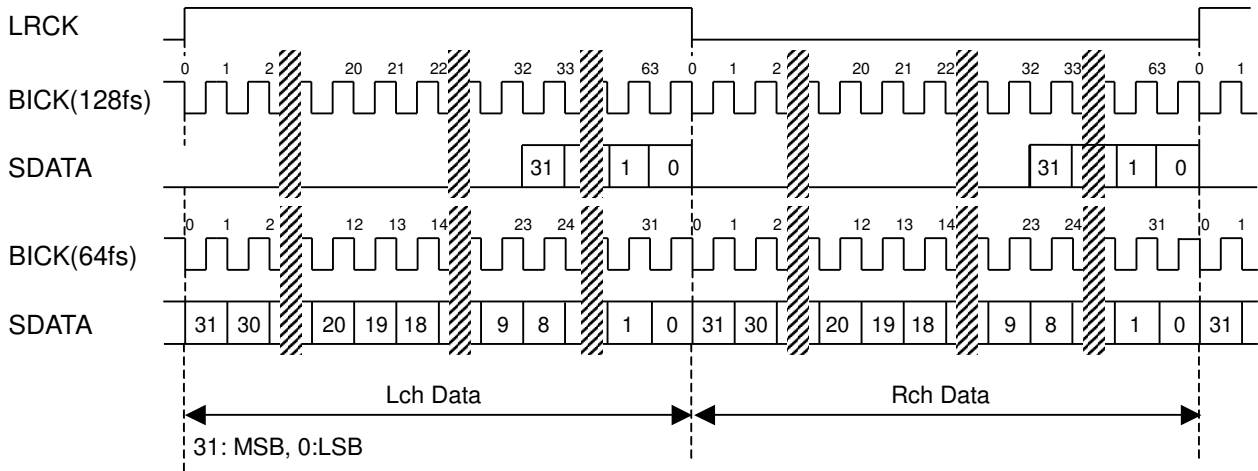


Figure 31. Mode 5 Timing

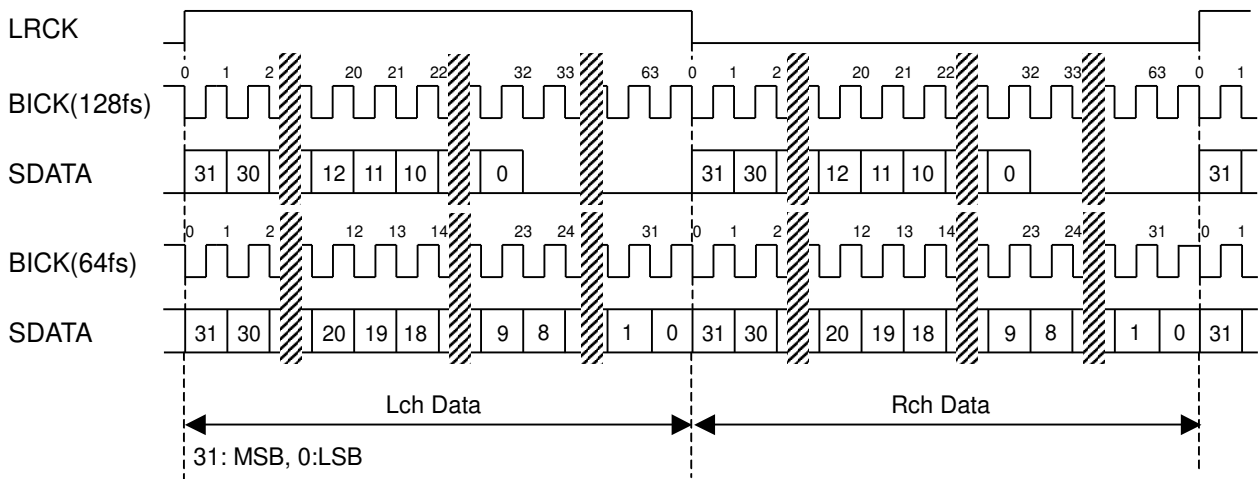


Figure 32. Mode 6 Timing

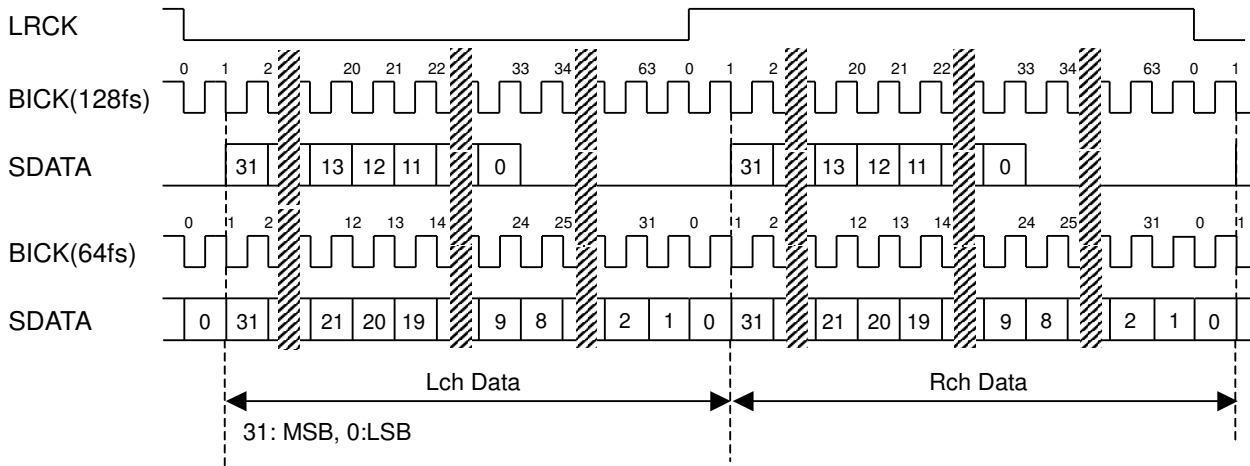


Figure 33. Mode 7 Timing

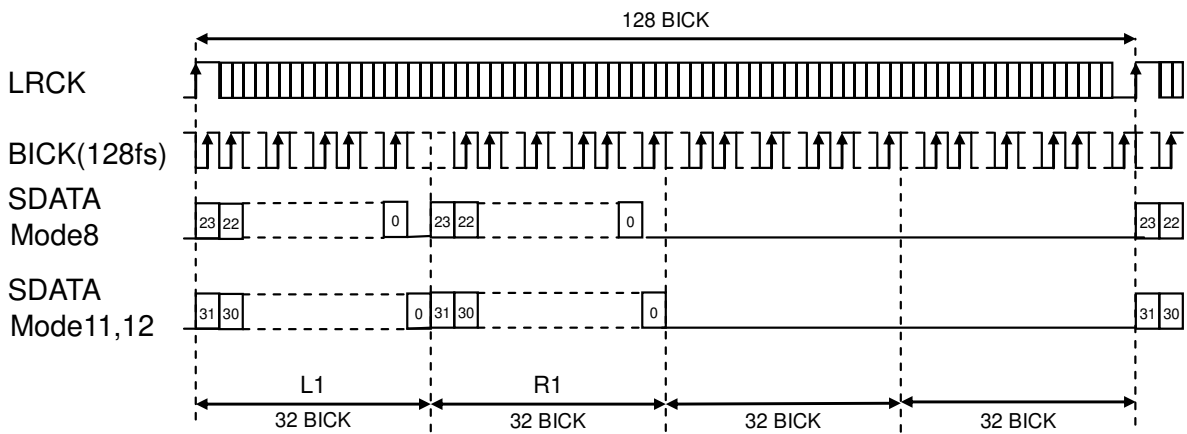


Figure 34. Mode 8/11/12 Timing

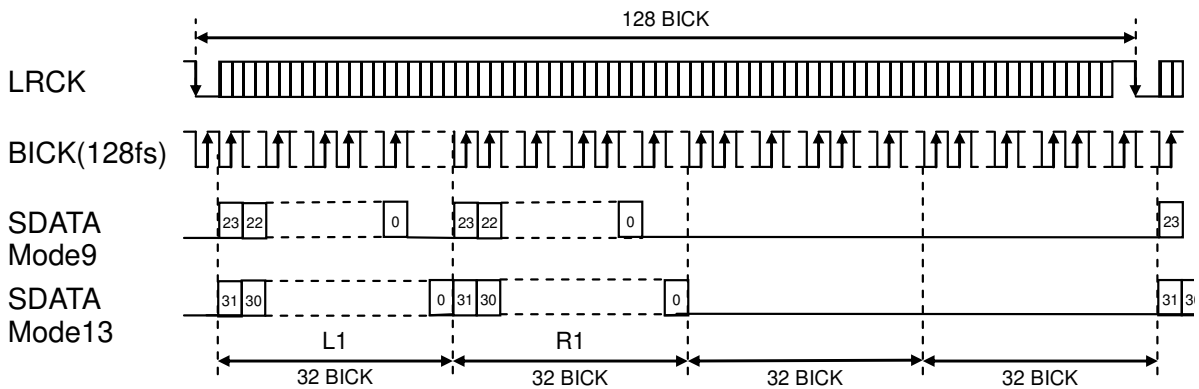


Figure 35. Mode 9/13 Timing

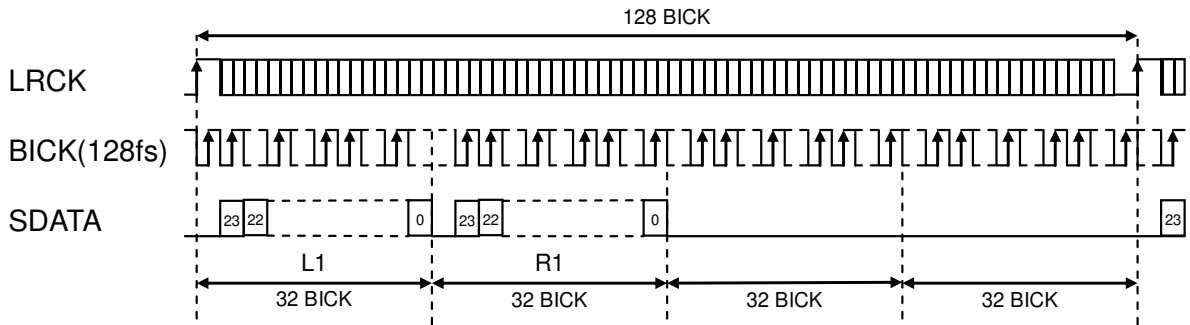


Figure 36. Mode 10 Timing

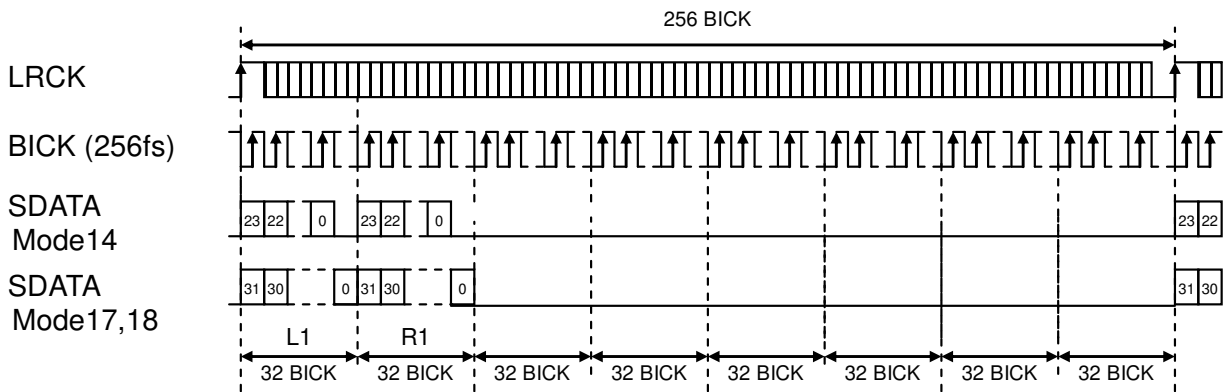


Figure 37. Mode 14/17/18 Timing

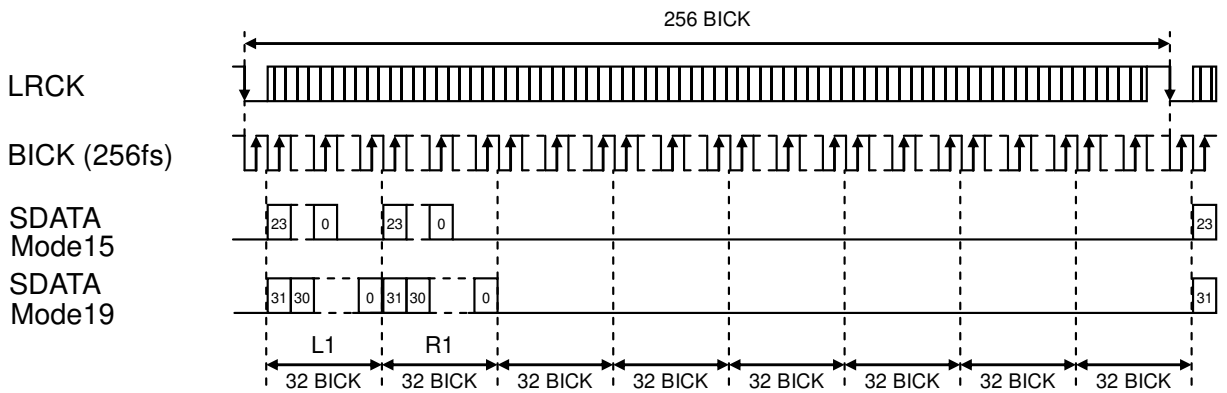


Figure 38. Mode 15/19 Timing

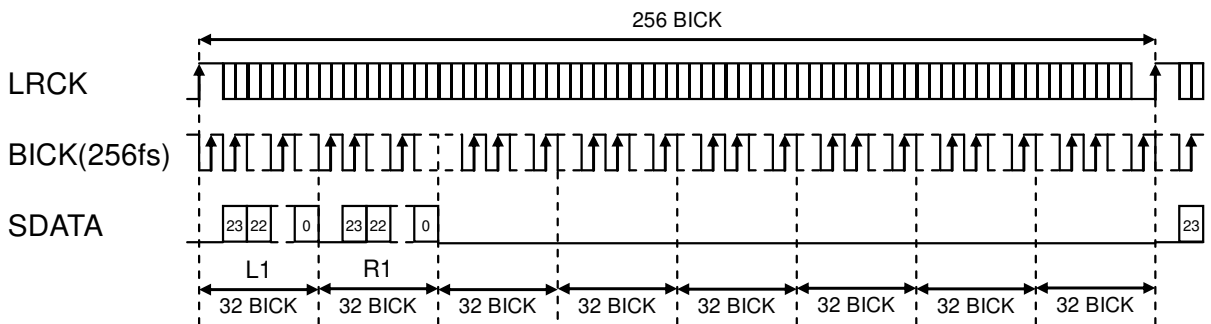


Figure 39. Mode 16 Timing

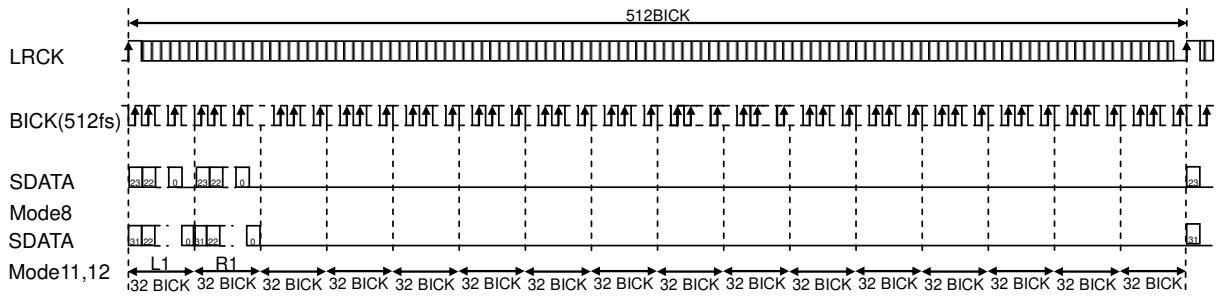


Figure 40. Mode 20/23/24 Timing

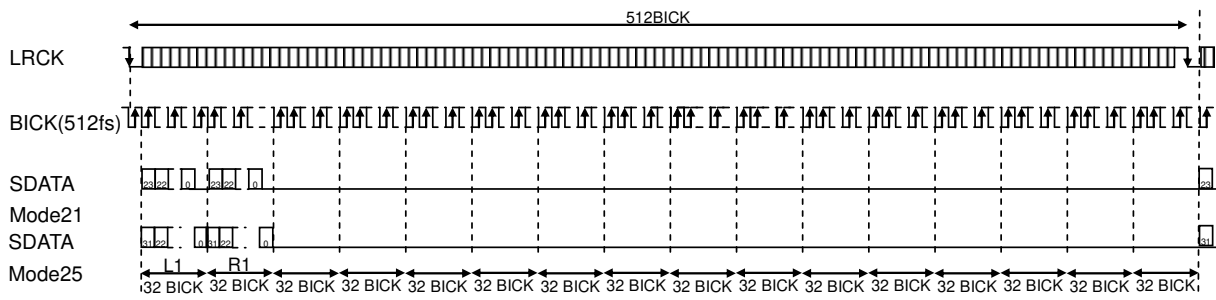


Figure 41. Mode 21/25 Timing

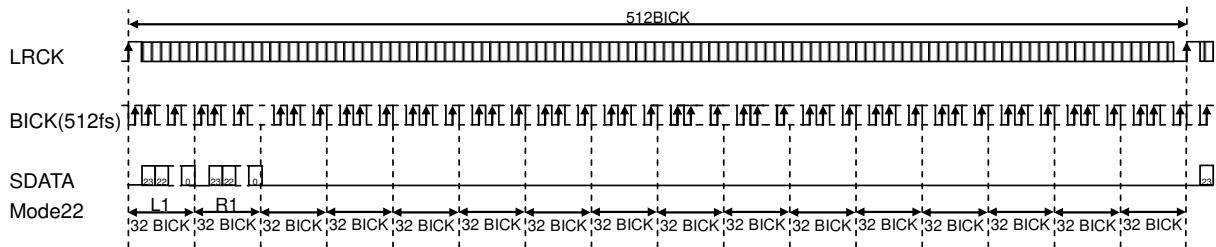


Figure 42. Mode 22 Timing

(2) Data Slot Selection Function

Data slot of 1 cycle LRCK for each audio data format is defined as Figure 43~ Figure 46. DAC output data can be selected by SDS[2:0] bits as shown in Table 25.

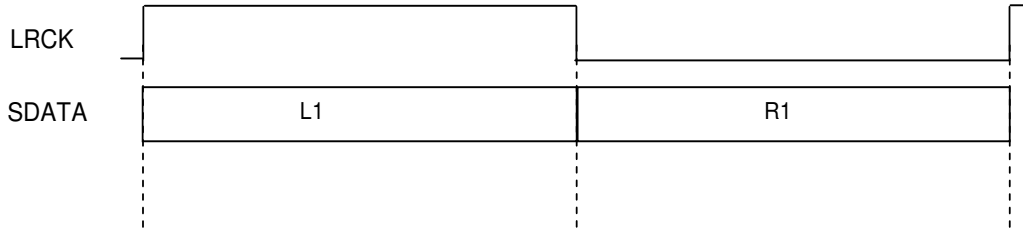


Figure 43. Data Slot in Normal Mode

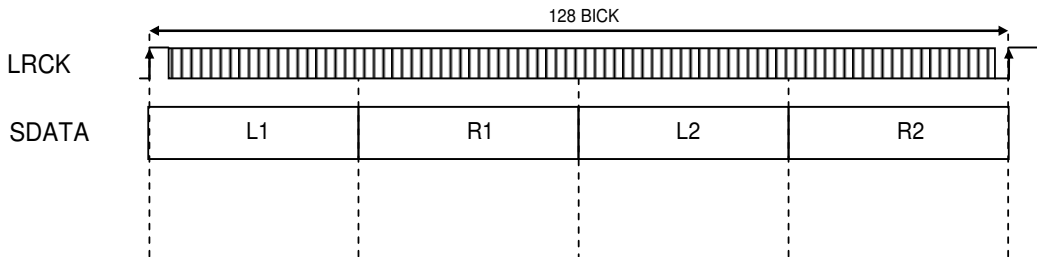


Figure 44. Data Slot in TDM128 Mode

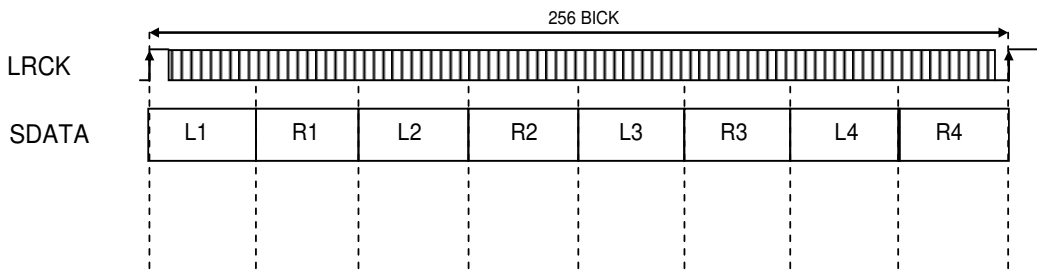


Figure 45. Data Slot in TDM256 Mode

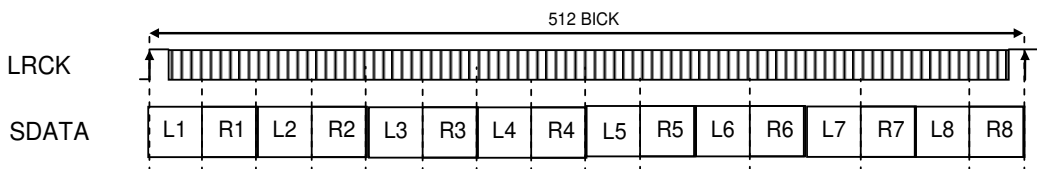


Figure 46. Data Slot in TDM512 Mode

Table 25. Data Select

	SDS2 bit	SDS1 bit	SDS0 bit	DAC		
				Lch	Rch	
Normal	x	x	x	L1	R1	(default)
TDM128	x	x	0	L1	R1	
	x	x	1	L2	R2	
TDM256	x	0	0	L1	R1	
	x	0	1	L2	R2	
	x	1	0	L3	R3	
	x	1	1	L4	R4	
TDM512	0	0	0	L1	R1	
	0	0	1	L2	R2	
	0	1	0	L3	R3	
	0	1	1	L4	R4	
	1	0	0	L5	R5	
	1	0	1	L6	R6	
	1	1	0	L7	R7	
	1	1	1	L8	R8	

(x: Do not care)

(3) Daisy Chain

The AK4497 supports cascading of multiple devices by daisy chain connection in TDM512/256 mode (TDM[1:0] bits = "10", "11"). DCHAIN bit or DCHAIN pin controls Daisy Chain mode (Table 26). SDS[2:0] bits setting will be invalid in Daisy Chain mode.

Table 26. Daisy Chain Control

DCHAIN bit DCHAIN pin	Mode	TDMO pin	
0	Normal	L	(default)
1	Daisy Chain	Data output	

(3)-1. TDM512 Mode

Figure 47 shows daisy chain connection in TDM512 mode (TDM[1:0] bits = "11"). 16ch data is input to the SDATA pin of the second AK4497 and the TDMO pin of the second AK4497 is connected to the SDATA pin of the first AK4497.

Figure 48 shows data input/output example of daisy chain in TDM512 mode. The second AK4497 receives L8 and R8 data as DAC inputs and outputs the data by shifting 2ch from the TDMO pin. The first AK4497 receives L7 and R7 data as DAC input. Settings of DIF[2:0] bits of the first and second AK4497's must be the same.

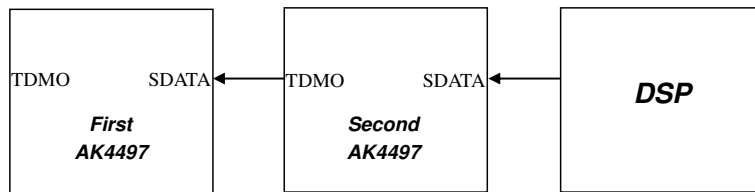


Figure 47. Daisy Chain (TDM512 Mode)

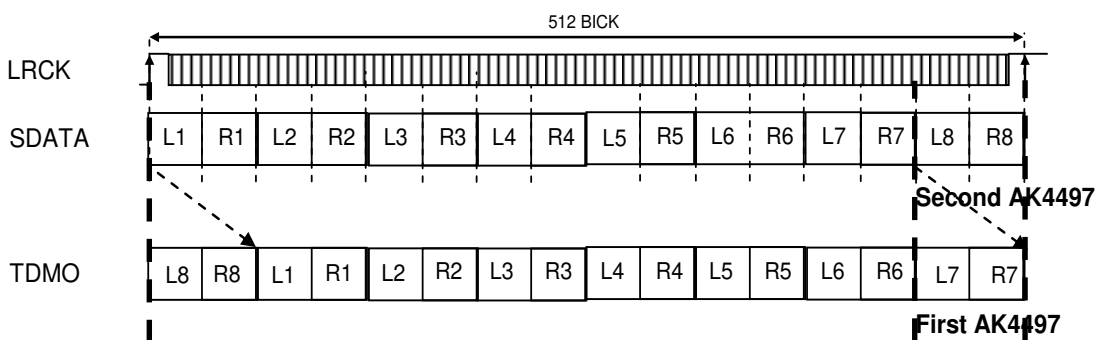


Figure 48. Daisy Chain (TDM512 Mode)

(3)-2. TDM256 Mode

Figure 47 shows daisy chain connection in TDM256 mode (TDM[1:0] bits = "10"). 8ch data is input to the SDATA pin of the second AK4497 and the TDMO pin of the second AK4497 is connected to the SDATA pin of the first AK4497.

Figure 49 shows data input/output example of daisy chain in TDM256 mode. The second AK4497 receives L4 and R4 data as DAC inputs and outputs the data from the TDMO pin by shifting 2ch. The first AK4497 receives L3 and R3 data as DAC input. Settings of DIF[2:0] bits of the first and second AK4497's must be the same.

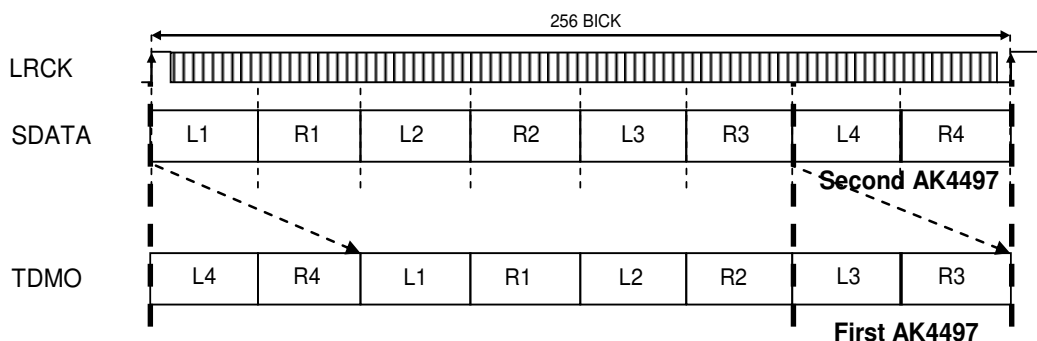


Figure 49. Daisy Chain (TDM256 Mode)

[2] DSD Mode

In DSD mode, L channel data and R channel data must be input to the DSDL pin and the DSDR pin, respectively by synchronizing to DCLK. Input pins can be selected by DSDPATH bit. When DSDPATH bit = "0", the TDM0 pin, the DEM pin and the GAIN pin become DCLK, DSDL and DSDR input pins, respectively. When DSDPATH bit = "1", the BICK pin, the SDATA pin and the LRCK pin become DCLK, DSDL and DSDR input pins, respectively.

In case of DSD mode, the settings of DIF2-0 pins and DIF[2:0] bits are ignored. The frequency of DCLK is selected between 64fs, 128fs and 256fs by DSDSEL[1:0] bits. Phase modulation function is not available in 512fs mode (DSDSEL[1:0] bits = "11").

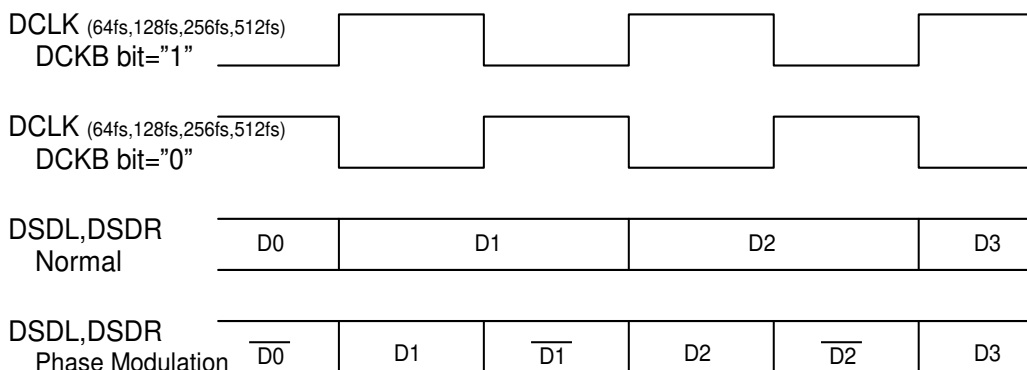


Figure 50. DSD Mode Timing

[3] External Digital Filter Mode (EXDF mode)

The audio data is input by BCK and WCK from the DINL and DINR pins. Three formats are available (Table 27) by DIF2-0 bits setting. The data is latched on the rising edge of BCK. The BCK and MCLK clocks must not burst.

Table 27. Audio Interface Format (EXDF mode)

Mode	DIF2	DIF1	DIF0	Input Format
0	0	0	0	16-bit LSB justified
1	0	0	1	N/A
2	0	1	0	16-bit LSB justified
3	0	1	1	N/A
4	1	0	0	24-bit LSB justified
5	1	0	1	32-bit LSB justified
6	1	1	0	24-bit LSB justified (default)
7	1	1	1	32-bit LSB justified

(N/A: Not available)

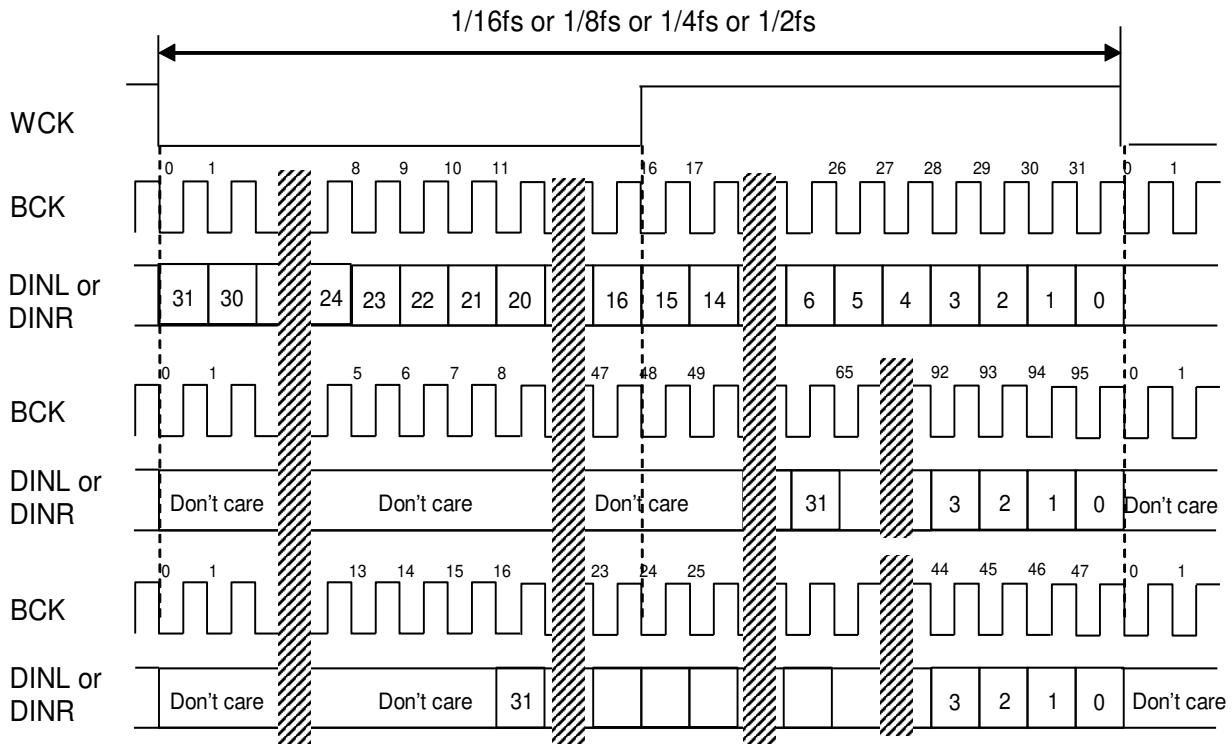


Figure 51. EXDF Mode Timing

■ Digital Filter

Six types of digital filter in PCM mode and two types of digital filter in DSD mode are available in the AK4497 for sound color selection of music playback.

In PCM mode, digital filter can be selected by the SD, SLOW and SSLOW pins if the AK4497 is in pin control mode, and digital filter can be selected by SD, SLOW and SSLOW bits in register control mode (Table 28).

Table 28. Digital Filter Setting

SSLOW	SD	SLOW	Mode
0	0	0	Sharp Roll-off Filter
0	0	1	Slow Roll-off Filter
0	1	0	Short Delay sharp Roll-off Filter (default)
0	1	1	Short Delay Slow Roll-off Filter
1	0	0	Super Slow Roll-off Filter
1	0	1	Super Slow Roll-off Filter
1	1	0	Low Dispersion Short Delay Filter
1	1	1	Reserved

Note: Do not use Reserved mode (SSLOW bit= "1", SD bit= "1", SLOW bit= "1") in PCM mode.

In DSD mode, the cutoff frequency of digital filter can be switched by DSDF bit. Table 29 shows the cutoff frequency of $f_s = 44.1\text{kHz}$. The cutoff frequency tracks the sampling frequency (f_s). Do not set GS[2:0] bits to "100" when DSDD bit = "0" and DSDF bit = "1". Otherwise a pop noise may occur.

Table 29. DSD Filter Select

DSDF bit	Cut Off Frequency @ $f_s=44.1\text{kHz}$			
	DSD64fs	DSD128fs	DSD256fs	DSD512fs
0	39kHz	78kHz	156kHz	312kHz (default)
1	76kHz	152kHz	304kHz	608kHz

■ De-emphasis Filter (PCM Mode)

A digital de-emphasis filter is available for 32kHz, 44.1kHz or 48kHz sampling rates ($t_c = 50/15\mu s$) and is enabled or disabled by DEM0 pin or DEM1-0 bits. When DSD mode or EXDF mode, DEM1-0 bits are ignored. The setting value is held even if PCM, DSD and EXDF mode is switched.

Table 30. De-emphasis Control (Register Control mode)

DEM1	DEM0	Mode
0	0	44.1kHz
0	1	OFF
1	0	48kHz
1	1	32kHz

(default)

Table 31. De-emphasis Control (Pin Control mode)

DEM0 Pin	Mode
L	44.1kHz
H	OFF

(default)

■ Output Volume (PCM Mode, DSD Mode, EXDF Mode)

The AK4497 includes channel independent digital output volumes (ATTL/R) with 256 levels at 0.5dB step including MUTE. When changing output levels, it is executed in soft transition thus no switching noise occurs during these transitions. It can attenuate the input data from 0dB to -127dB and mute when assuming the output signal level is 0dB when ATTL/R[7:0] bits = FFH.

Table 32. Attenuation Level of Digital Attenuator

ATTL/R[7:0]bits (register 03-04H)	Attenuation Level
FFH	+0dB
FEH	-0.5dB
FDH	-1.0dB
:	:
:	:
02H	-126.5dB
01H	-127.0dB
00H	MUTE ($-\infty$)

(default)

The transition time of digital output volume is set by ATS[1:0] bits (Table 33). When changing output levels between Mode0-3, it is executed in soft transition thus no switching noise occurs during these transitions. Register setting values will be kept even switching the PCM and DSD modes.

Table 33. Transition Time between Set Values of ATT[7:0] bits

Mode	ATS1	ATS0	ATT speed			(default)
			EXDF bit="0", DP bit="0"	EXDF bit="1" DP bit="0"	DP bit="1"	
0	0	0	4080/fs	4080*WCK Cycle	4080/(2*fs)	
1	0	1	2040/fs	2040*WCK Cycle	2040/(2*fs)	
2	1	0	510/fs	510*WCK Cycle	510/(2*fs)	
3	1	1	255/fs	255*WCK Cycle	255/(2*fs)	

It takes 4080/fs (92.5ms@fs=44.1kHz) from FFH (0dB) to 00H (MUTE) in Mode 0. The attenuation level is initialized to FFH (0dB) by setting the PDN pin = "L".

If the volume is changed during reset period, the output volume will become a setting value after releasing the reset. It will change to a setting value immediately if the volume is changed within 5/fs after releasing reset.

■ Gain Adjustment Function (PCM Mode, DSD Mode, EXDF Mode)

The AK4497 has the gain adjustment function. The analog output amplitude can be adjusted by GC[2:0] bits or the GAIN pin.

Table 34. Output Level between Set Values of GC[2:0] Bits

GC[2] bit	GC[1] bit	GC[0] bit	AOUTLP/LN/RP/RN Output Level			(default)
			PCM	DSD: Normal Path	DSD: Volume Bypass	
0	0	0	2.8Vpp	2.8Vpp	2.5Vpp	
0	0	1	2.8Vpp	2.5Vpp	2.5Vpp	
0	1	0	2.5Vpp	2.5Vpp	2.5Vpp	
0	1	1	2.5Vpp	2.5Vpp	2.5Vpp	
1	0	0	3.75Vpp	3.75Vpp	2.5Vpp	
1	0	1	3.75Vpp	2.5Vpp	2.5Vpp	
1	1	0	2.5Vpp	2.5Vpp	2.5Vpp	
1	1	1	2.5Vpp	2.5Vpp	2.5Vpp	

Table 35. Output Level between Set Values of GAIN Pin (Valid Only in PCM Mode)

GAIN pin	AOUTLP/LN/RP/RN Output Level
L	2.8 Vpp
H	3.75 Vpp

Note 49. DSDF bit must be set to "0" if GC[2:0] bits are set to "100" when using DSD Normal Path. Click noise may occur if DSDF bit is set to "1".

■ Zero Detection (PCM Mode, DSD Mode, EXDF Mode)

The AK4497 has a channel-independent zeros detect function. When the input data at each channel is continuously zeros for 8192 LRCK cycles, the DZF pin of each channel outputs zero detection flag independently. The DZFL/R pin outputs zero detection flag if the input data is continuously zeros for 16384 LRCK cycles in DSD 512fs mode (DP bit = "1" and DSDSEL[1:0] bits = "11"). Polarity of the detection flag of the DZFL/R pin can be selected by DZFB bit. The DZFL/R pin goes "H" for zero detection when DZFB bit = "0", the DZFL/R pin goes "L" when DZFB bit = "1".

When DZFB bit = "0", the DZFL/R pin immediately returns to "L" if the input data of each channel is not zero after going to "H". If the RSTN bit is "0", the DZF pins of both L and R channels go to "H". The DZFL/R pin returns to "L" in 4 ~ 5/fs after the input data of each channel becomes "1" when RSTN bit is set to "1".

If DZFM bit is set to "1" while DZFB bit = "0", the DZF pins of both L and R channels go to "H" only when the input data for both channels are continuously zeros for 8192 LRCK cycles (16384 LRCK cycles in DSD 512fs mode). The zero detect function can be disabled by setting the DZFE bit. In this case, DZF pins of both channels are always "L". The zero detect function is also disabled when Volume Bypass is selected in DSD mode ([Table 22](#)).

Table 36. Zero Detect Select.

DZFE	DZFB	RSTN	Data	DZF pin	
0	0	-	-	L	
	1	-	-	H	
1	0	0	-	H	
		1	not zero	L	
	zero detect		H		
	1	0	0	-	L
			1	not zero	H
		1		zero detect	L

■ L/R Channel Output Signal Select, Phase Inversion Function (PCM Mode, DSD Mode, EXDF Mode)

In register control mode, input and output combination of the AK4497 can be changed by MONO bit and SELLR bit. In addition, the output signal phase can be inverted by INVL bit and INVR bit. These functions are available on all audio formats. In pin control mode, the phase of R channel output can be inverted by setting the INVR pin.

Table 37. Output Select (Register Control)

MONO bit	SELLR bit	INVL bit	INVR bit	Lch Out	Rch Out
0	0	0	0	Lch In	Rch In
		0	1	Lch In	Rch In Invert
		1	0	Lch In Invert	Rch In
		1	1	Lch In Invert	Rch In Invert
0	1	0	0	Rch In	Lch In
		0	1	Rch In	Lch In Invert
		1	0	Rch In Invert	Lch In
		1	1	Rch In Invert	Lch In Invert
1	0	0	0	Lch In	Lch In
		0	1	Lch In	Lch In Invert
		1	0	Lch In Invert	Lch In
		1	1	Lch In Invert	Lch In Invert
1	1	0	0	Rch In	Rch In
		0	1	Rch In	Rch In Invert
		1	0	Rch In Invert	Rch In
		1	1	Rch In Invert	Rch In Invert

Table 38. Output Select (Pin Control)

INVR pin	Lch Out	Rch Out
0	Lch In	Rch In
1	Lch In	Rch In Invert

■ Sound Quality (PCM Mode, DSD Mode, EXDF Mode)

Sound quality of the AK4497 can be selected by SC[2:0] bits. The analog characteristics specification of the AK4497 is applicable to Setting 1 and Setting 4. The characteristics are not guaranteed in Setting 2, 3 and 5.

Table 39. Sound Quality Select Mode

SC1 bit	SC0 bit	Internal Operation	
0	0	Analog internal current, maximum (Setting1)	(default)
0	1	Analog internal current, minimum (Setting2)	
1	0	Analog internal current, medium (Setting3)	
1	1	Analog internal current, minimum (Setting2)	

Table 40. Sound Quality Select Mode

SC2 bit	Sound	
0	Default (Setting 4)	(default)
1	High Sound Quality Mode (Setting 5)	

■ DSD Signal Full Scale (FS) Detection

The AK4497 has independent full scale detection function for each channel for DSD mode. The AK4497 detects full scale signal when the DSDL/R input data is continuously “0” (-FS) or “1” (+FS) for 2048 cycles and the detection flag for corresponding channel (DML or DMR bit) becomes “1”. DML and DMR bits can be read out at the register address 06H.

When the AK4497 detects full scale signal while DDM bit = “1”, the analog output is muted according to [Table 42](#). ATS[2:0] bits control a mute transition time. ATS[2:0] bits and DSDD bit settings are also valid when the AK4497 returns to normal status from full scale detection status.

The recovery timing from full scale detection status and the operation mode of full scale detection are controlled by DDM bit, DMC bit and DMRE bit. RSTN bit must be set to “0” when changing DDM bit setting.

Table 41. DSD Mode and Device Status after Full-Scale Detection (DDM bit= “1”)

DSDD	Mode	Analog Output	Full Scale Detection Status
0	Normal Path	VCML/R (Mute)	Soft Mute
1	Volume Bypass	VCM/L/R (Mute)	Rapid Mute

(default)

Table 42. Recovery Method to Normal Operation Mode from Full Scale Detection Status

DDM	DMC	DMRE	Status After Detection
0	*	*	When full scale is detected, Mute function is disabled.
1	0	*	When full scale is detected, Mute function is enabled. The AK4497 returns to normal operation automatically by a normal signal input.
1	1	0	When full scale is detected, Mute function is enabled. The AK4497 keeps mute mode, even if a normal signal is input.
1	1	1 (Note 50)	When full scale is detected, Mute function is enabled. The AK4497 returns to normal operation when a normal signal is input and DMRE bit is set to “1”.

(default)

Note 50. DMRE bit returns to “0” automatically after the AK4497 returns to normal operation.

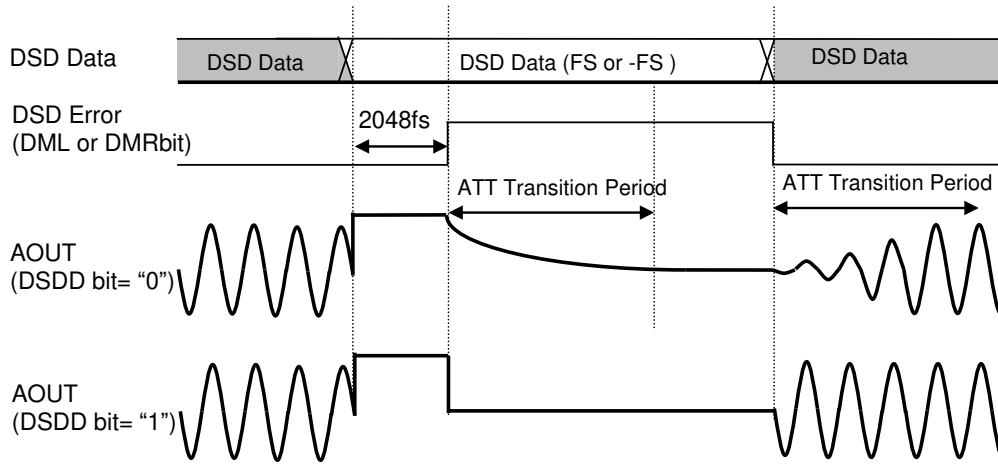


Figure 52. Analog Output Waveform in DSD FS Detection (DMC bit= "0")

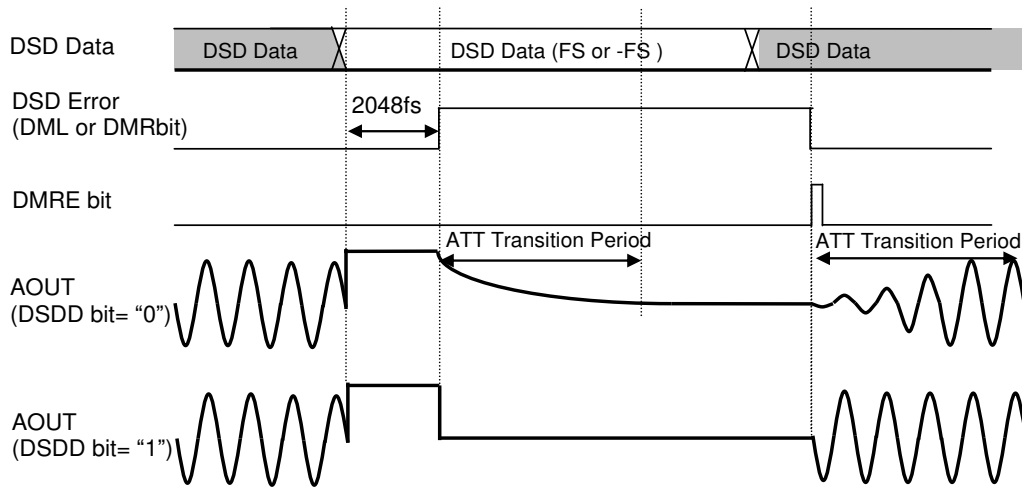


Figure 53. Analog Output Waveform in DSD FS Detection (DMC bit= "1")

■ Soft Mute Operation (PCM Mode, DSD Mode, EXDF Mode)

The soft mute operation is performed at digital domain. When the SMUTE pin goes to “H” or the SMUTE bit set to “1”, the output signal is attenuated by $-\infty$ during $ATT_DATA \times ATT$ transition time from the current ATT level. When the SMUTE pin is returned to “L” or the SMUTE bit is returned to “0”, the mute is cancelled and the output attenuation gradually changes to the ATT level during $ATT_DATA \times ATT$ transition time. If the soft mute is cancelled before attenuating $-\infty$ after starting the operation, the attenuation is discontinued and returned to ATT level by the same cycle. The soft mute is effective for changing the signal source without stopping the signal transmission.

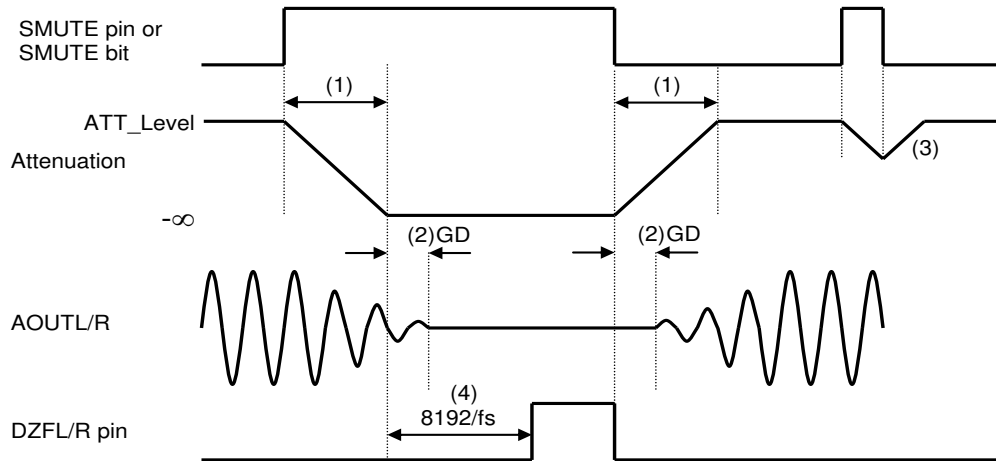


Figure 54. Soft Mute Function

Notes:

- (1) $ATT_DATA \times ATT$ transition time. For example, this time is 4080LRCK cycles (1020/fs) at $ATT_DATA=255$ in PCM Normal Speed Mode.
- (2) The analog output corresponding to the digital input has group delay (GD).
- (3) If the soft mute is cancelled before attenuating $-\infty$ after starting the operation, the attenuation is discontinued and returned to ATT level by the same cycle.
- (4) When the input data for each channel is continuously zeros for 8192 LRCK cycles (16384 LRCK cycles in DSD 512fs mode), the DZF pin for each channel goes to “H”. The DZF pin immediately returns to “L” if input data are not zero.

■ LDO

When TVDD = 3.0 ~3.6V, the power for digital core circuit (DVDD) is supplied by the internal LDO by setting the LDOE pin to "H". Table 43 shows the DVDD pin statuses with the PDN and LDOE pins setting. The internal LDO is powered up by setting the PDN pin from "L" to "H" (power-down release) and it starts supplying 1.8V DVDD. It takes 0.1ms (max.) to power-up the internal LDO.

Table 43. LDO Select Mode

PDN pin	LDOE pin	TVDD	DVDD
X	L	1.7~3.6V	LDO OFF: Supply 1.7 ~ 1.98V to the DVDD pin externally
L	H	3.0~3.6V	500ohm Pull Down
H	H	3.0~3.6V	LDO ON: LDO outputs 1.8V. (Do not connect DVDD with other devices.)

(X: Do not care)

The AK4497 has error detect function as shown in Table 44 for LDO operation (LDOE pin = "H"). The internal LDO will be powered down and stop supplying the power to the digital core when an error is detected. In this case, the analog signal output becomes unstable. The AK4497 must be reset by setting the PDN pin = "L" → "H" to recover from the error detection status.

Table 44. Error Detection

No	Error	Error Detection Condition
1	Internal Reference Voltage Error	Internal reference voltage does not rise.
2	LDO Over Voltage Detection	LDO voltage exceeds 2.2V.
3	LDO Over Current Detection	LDO current is 40mA or less, or 110mA or more.

■ Shutdown Switch

A shutdown switch is placed between the DVSS pin and VSS for the digital core to prevent SIDD leak of DVDD digital power supply. The on-resistance is maximum 1Ω and the DVDD leak current will be 2uA at the maximum.

When using LDO (LDOE pin = "H"), the shutdown switch is ON after counting by internal oscillator following a power-down release (PDN pin "L" → "H"). It takes 2ms (max.) for the shutdown switch power-up.

When not using LDO (LDOE pin = "L"), the shutdown switch is ON immediately after a power-down release (PDN pin "L" → "H"). It takes 1us (max.) for the shutdown switch power-up.

■ Over Current Protection for Analog Output Pins

The AK4497 has channel independent over current detection function for analog output pins (AOUTLP/LN and AOUTRP/RN pins). This function limits the current not to exceed approximately 120mA when an excessive current over about 120mA (min) is detected. This function is invalid when the PDN pin = "L" or PW bit = "0" or when the MCLK is stopped.

■ Power Up/Down Function

The AK4497 is powered down by setting the PDN pin to “L”. In power-down state, all circuits stop operation and initialized, and the analog output becomes floating (Hi-z) state. The PDN pin must held “L” for more than 150ns for a certain reset. There is a possibility of malfunctions with the “L” pulse less than 150ns. Power-down is released by setting the PDN pin to “H” from “L”. In this time IREF and LDO (if LDOE pin = “H”) are powered up and the analog output becomes floating (Hi-z) state.

(a) Pin Control Mode (PSN pin = “H”)

All circuits will be powered up by inputting MCLK, LRCK and BICK clocks after the PDN pin = “H”. The analog circuit starts operation just after supplying all necessary clocks (MCLK, LRCK and BICK) and the digital circuit starts operation about $4/f_s$ after the clock supply. Figure 55 shows system timing example of power down/up when using the internal LDO (LDOE pin “H”). When power up the AK4497 with the LDOE pin = “H”, 3.3V power supplies (AVDD and TVDD) should be powered up before or at the same time of 5V power supplies (VDDL/R).

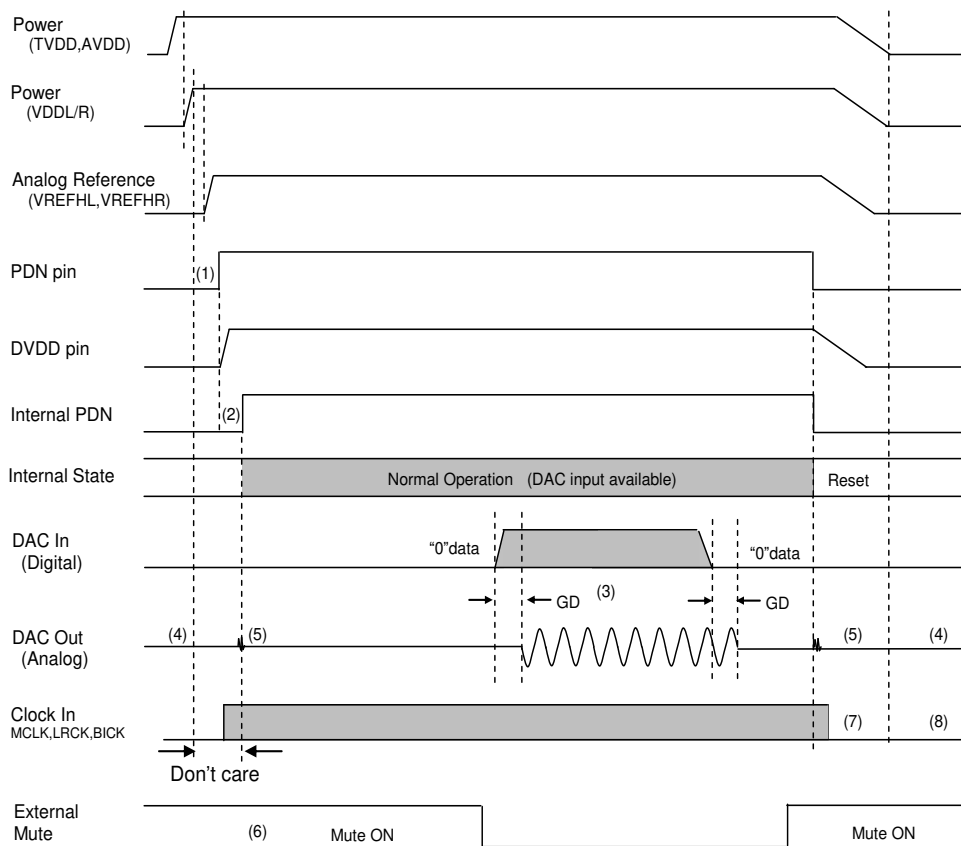


Figure 55. Power-down/up Sequence Example (Pin Control Mode, LDOE pin= “H”)

Notes:

- (1) The PDN pin must be held “L” for more than 150ns after supplying AVDD, TVDD and VDDL/R.
- (2) Internal LDO is powered up after the PDN pin = “H” when the LDOE pin= “H”. The internal circuit will start operation after the shutdown switch is ON (max. 2ms) following the internal oscillator count up.
- (3) The analog output corresponding to the digital input has group delay (GD).
- (4) Analog outputs are floating (Hi-Z) in power down mode.
- (5) Click noise occurs at the edge of PDN signal. This noise is output even if “0” data is input.
- (6) Mute the analog output externally if click noise (5) adversely affect system performance.

- (7) Clock inputs (MCLK, BICK and LRCK) can be stopped in power down state.
- (8) Do not input a clock when power supplies are powered down.

The timing example when not using the internal LDO (LODE pin = "L") is shown in Figure 56. When the LDOE pin= "L", 1.8V (DVDD), 3.3V (AVDD, TVDD) and 5V (VDDL, VDDR) power supplies should be powered up at the same time, otherwise power up 3.3V power supplies (AVDD, TVDD) first, the 1.8V power supply (DVDD) next and 5V power supplies (VDDL/R) last.

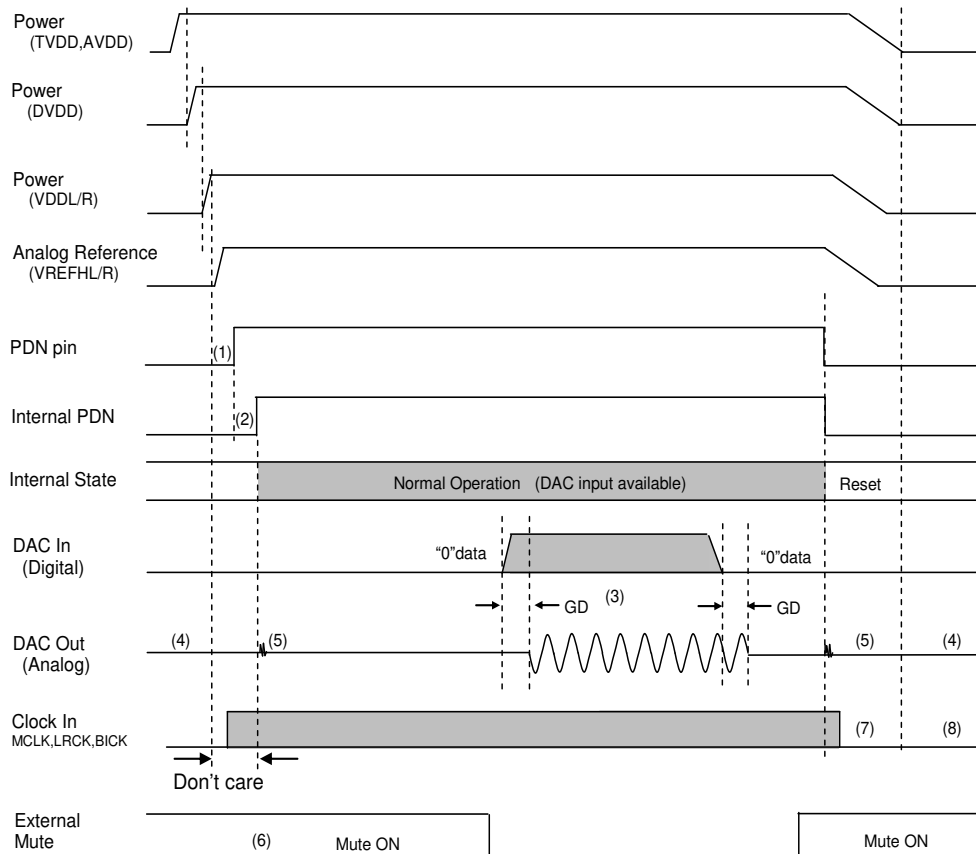


Figure 56. Power-down/up Sequence Example (Pin Control Mode, LDOE pin= "L")

Notes:

- (1) The PDN pin must be held "L" for more than 150ns after AVDD, TVDD, DVDD and VDDL/R reached 90%.
- (2) Internal shutdown switch is powered up after the PDN pin = "H" when the LDOE pin= "L". The internal circuit will start operation after the shutdown switch is ON (max. 1us).
- (3) The analog output corresponding to the digital input has group delay (GD).
- (4) Analog outputs are floating (Hi-Z) in power down mode.
- (5) Click noise occurs at the edge of PDN signal. This noise is output even if "0" data is input.
- (6) Mute the analog output externally if click noise (5) adversely affect system performance.
- (7) Clock inputs (MCLK, BICK and LRCK) can be stopped in power down state.
- (8) Do not input a clock when power supplies are powered down.

(b) Register Control Mode (PSN pin= "L")

A register access becomes available after the PDN pin = "H". The analog circuit starts operation by supplying necessary clocks (MCLK, LRCK and BICK for PCM mode, MCLK and DCLK for DSD mode, MCLK, BCK and WCK for EXDF mode) and the clock divider is powered up about after $4/f_s$. The analog output pins output analog common voltages (VCML, VCMR) in this time. Then the AK4497 transitions to normal operation by setting RSTN bit = "1". When power up the AK4497 with the LDOE pin = "H", 3.3V power supplies (AVDD and TVDD) should be powered up before or at the same time of 5V power supplies (VDDL/R).

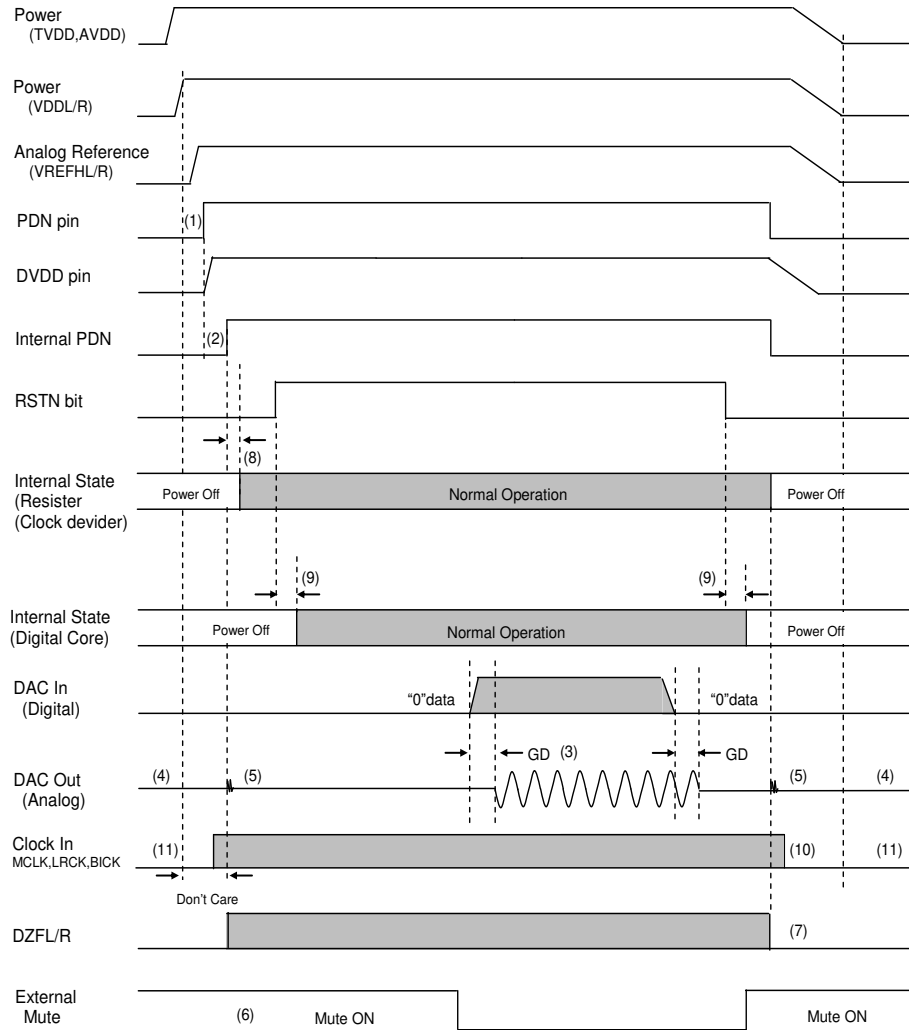


Figure 57. Power-down/up Sequence Example (Resister Control Mode, LDOE pin= "H")

Notes:

- (1) The PDN pin must be held "L" for more than 150ns after AVDD, DVDD, TVDD and VDDL/R reached 90%.
- (2) Internal LDO is powered up after the PDN pin = "H" when the LDOE pin= "H". The internal circuit will starts operation after the shutdown switch is ON (max. 2ms) following the internal oscillator count up.
- (3) The analog output corresponding to the digital input has group delay (GD).
- (4) Analog outputs are floating (Hi-Z) in power down mode.
- (5) Click noise occurs at the edge of PDN signal. This noise is output even if "0" data is input.
- (6) Mute the analog output externally if click noise (5) adversely affect system performance.
- (7) The DZFL/R pins are "L" in power-down mode (PDN pin = "L").
- (8) The clock divider is powered up in about $4/f_s$ after the internal PDN is released.
- (9) It takes $3\sim 4/f_s$ until a reset instruction is valid when writing RSTN bit to "0" and it takes $2\sim 3/f_s$ when

releasing the reset.

- (10) Clock inputs (MCLK, BICK and LRCK) can be stopped in power down state.
- (11) Do not input a clock when power supplies are powered down.

The system timing example of power up/down when not using LDO (LODE pin = "L") is shown in [Figure 58](#). When the LDOE pin= "L", 1.8V (DVDD), 3.3V (AVDD, TVDD) and 5V (VDDL, VDDR) power supplies should be powered up at the same time, otherwise power up the 3.3V power supplies (AVDD, TVDD) first, 1.8V power supply (DVDD) next and 5V power supplies (VDDL/R) last.

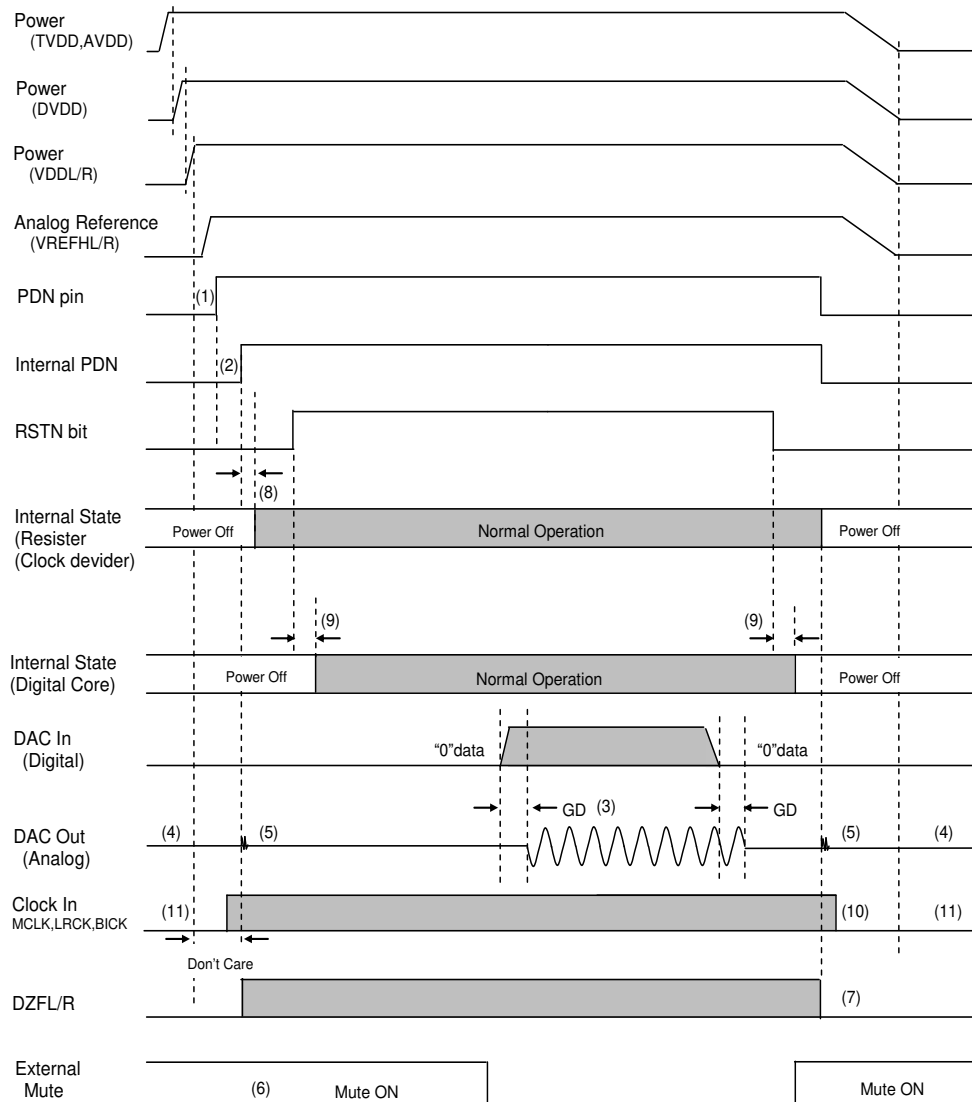


Figure 58. Power-down/up Sequence Example (Resistor Control Mode, LDOE pin= "L")

Notes:

- (1) The PDN pin must be held "L" for more than 150ns after supplying AVDD, TVDD and VDDL/R.
- (2) Internal shutdown switch is powered up after the PDN pin = "H" when the LDOE pin= "L". The internal circuit will start operation after the shutdown switch is ON (max. 1us).
- (3) The analog output corresponding to the digital input has group delay (GD).
- (4) Analog outputs are floating (Hi-Z) in power down mode.
- (5) Click noise occurs at the edge of PDN signal. This noise is output even if "0" data is input.
- (6) Mute the analog output externally if click noise (5) adversely affect system performance.
- (7) The DZFL/R pins are "L" in power-down mode (PDN pin = "L").
- (8) The clock divider is powered up in about $4/f_s$ after the internal PDN is released.
- (9) It takes $3\sim 4/f_s$ until the internal RSTN is changed when changing RSTN bit to "0" and it takes

2~3/fs when changing RSTN bit to "1".

- (10) Clock inputs (MCLK, BICK and LRCK) can be stopped in power down state.
- (11) Do not input a clock when power supplies are powered down.

■ Power-OFF/Reset Function

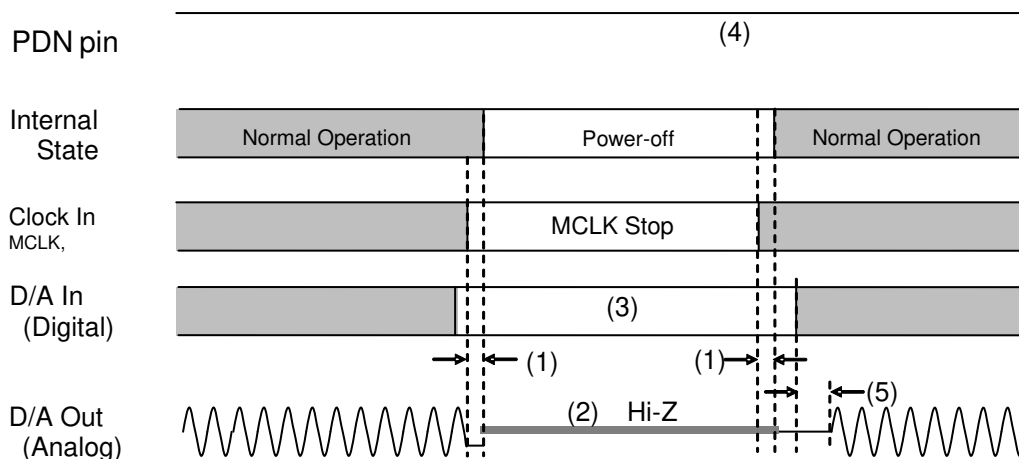
Power-off and Reset function of the AK4497 are controlled by PW bit, RSTN bit and MCLK (Table 45).

Table 45. Power Off, Reset Function

Mode	PDN Pin	MCLK Supply	PW bit	RSTN bit	DIGITAL Block	ANALOG Block	LDO Register	Analog Output
Power Down	L	—	—	—	OFF	OFF	OFF	Hi-Z
MCLK Stop	H	No	—	—	OFF	OFF	ON	Hi-Z
Power OFF	H	Yes	0	—	OFF	OFF	ON	Hi-Z
Reset	H	Yes	1	0	OFF	ON	ON	VCML/R
Normal Operation	H	Yes	1	1	ON	ON	ON	Signal Output

[1] Power ON/OFF by MCLK Clock

The AK4497 detects a clock stop and all circuits including MCLK stop detection circuit, control register and IREF (except LDO when the LDOE pin = "H") stop operation if MCLK is not input for 1us (min.) during operation (PDN pin = "H"). In this case, the analog output goes floating state (Hi-Z). The AK4497 returns to normal operation if PW bit and RSTN bit are "1" after starting to supply MCLK again. The zero detect function is disabled when MCLK is stopped.



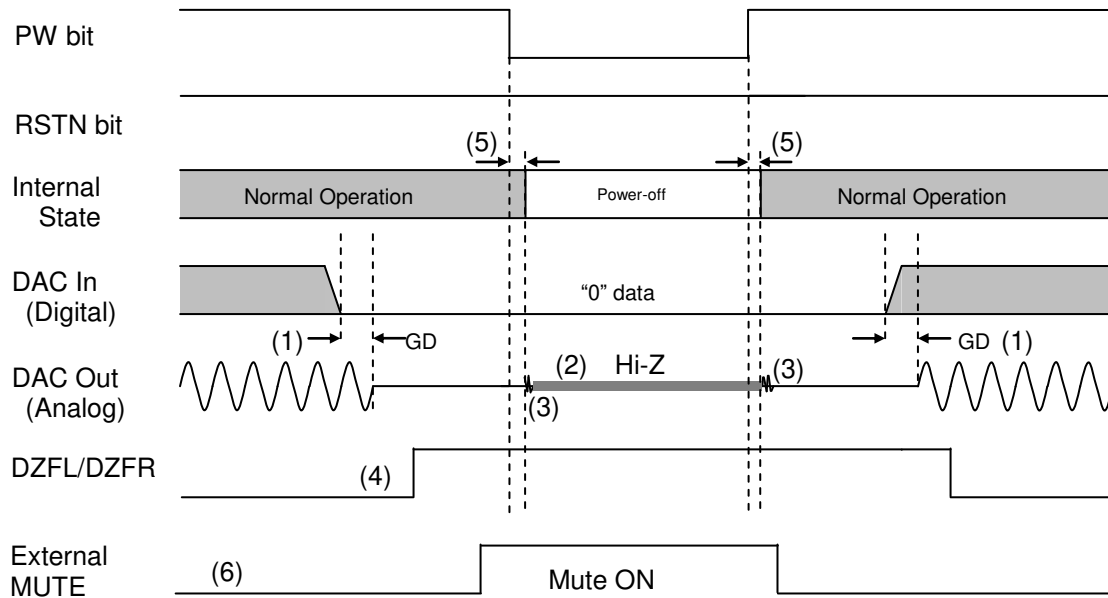
Notes:

- (1) The AK4497 detects MCLK stop and becomes power off state when MCLK edge is not detected for 1us (min.) during operation.
- (2) The analog output goes to floating state (Hi-Z).
- (3) Click noise can be reduced by inputting "0" data when stopping and resuming MCLK supply.
- (4) Resume MCLK input to release the power-off state by MCLK. In this case, power-up sequence by the PDN pin or power-on sequence by PW bit are not necessary.
- (5) The analog output corresponding to the digital input has group delay (GD).

Figure 59. Power ON/OFF by MCLK Clock

[2] Power ON/OFF by PW bit

All circuits including control register and IREF (except LDO when the LDOE pin = "H") stop operation by setting PW bit to "0". In this case, control register access is available. The analog output goes to floating state (Hi-Z). Figure 60 shows power ON/OFF sequence by PW bit.



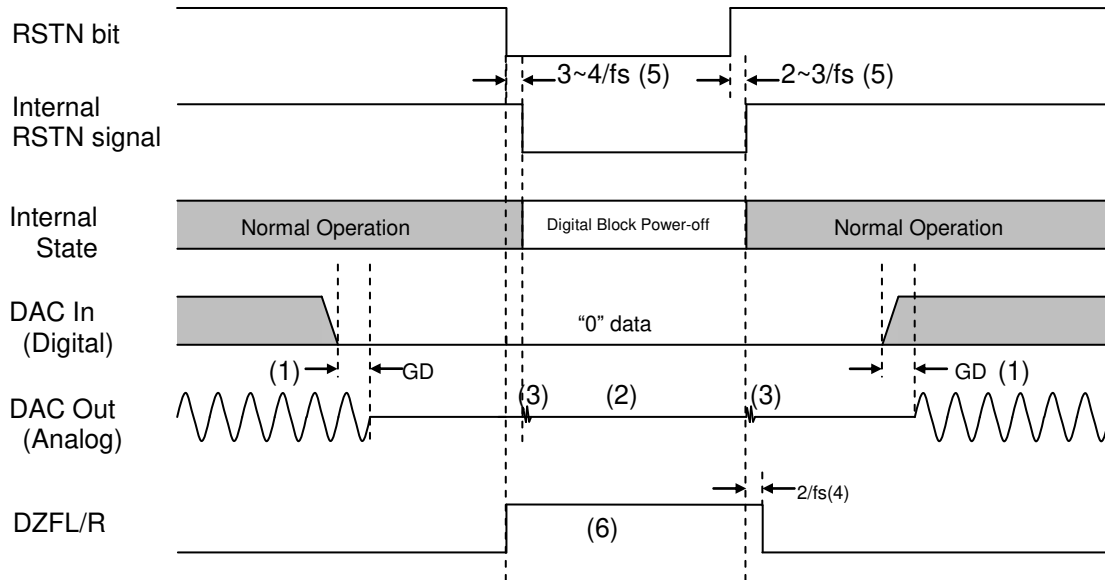
Notes:

- (1) The analog output corresponding to the digital input has group delay (GD).
- (2) The analog output is floating (Hi-Z) state when PW bit = "0".
- (3) Click noise occurs at the edge of PW bit. This noise is output even if "0" data is input.
- (4) The zero detect function is enable when the AK4497 is power off (PW bit= "0"). This figure shows the sequence when DZFE bit= "1", DZFB bit = "0" and DZFM bit= "0".
- (5) It takes $4 \sim 5/f_s$ until a power down instruction is valid when writing PW bit and it takes $1 \sim 2/f_s$ when releasing the power down.
- (6) Mute the analog output externally if click noise (3) or Hi-z output (2) adversely affect system performance.

Figure 60. Power ON/OFF Timing Example

[3] Reset by RSTN bit

Digital circuits except control registers and clock divider are reset by setting RSTN bit to "0". In this case, control register settings are held, the analog output becomes VCML/R voltage and the DZFL/R pins output "H". Figure 61 shows power ON/OFF sequence by RSTN bit.



Notes:

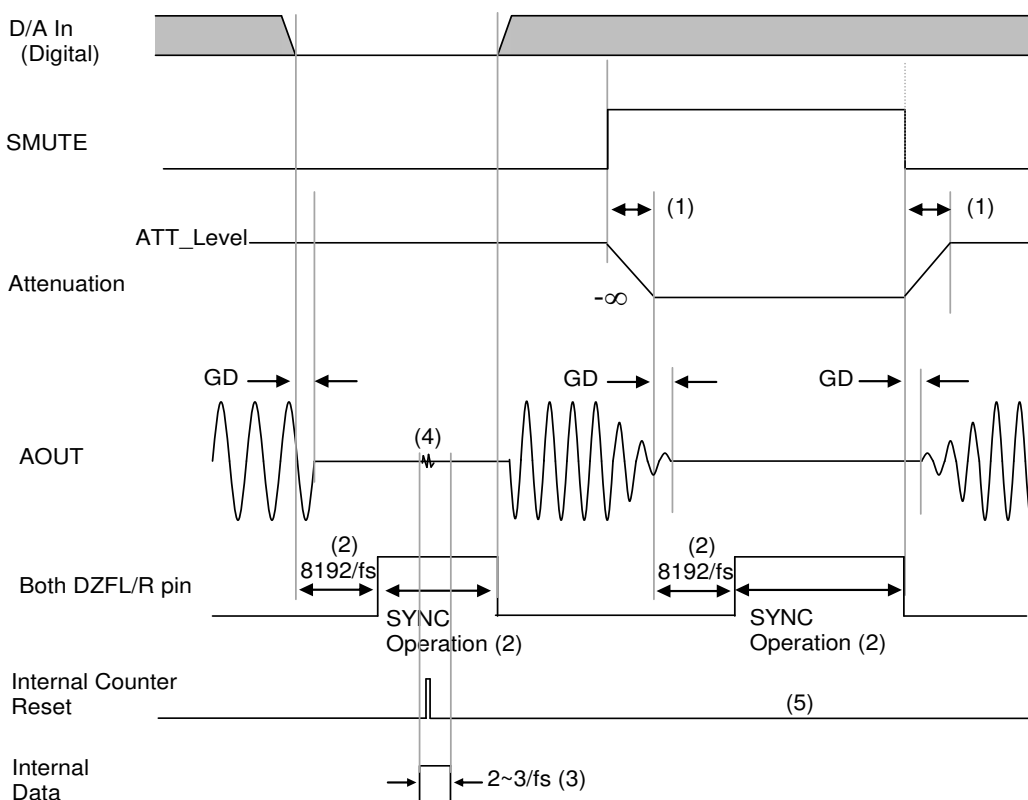
- (1) The analog output corresponding to the digital input has group delay (GD).
- (2) The analog output is VCOM voltage when RSTN bit = "0".
- (3) Click noise occurs at the edge of PW bit. This noise is output even if "0" data is input.
- (4) This figure shows the sequence when DZFE bit = "1", DZFB bit = "0" and DZFM bit = "0". The DZFL/R pin goes "H" on a falling edge of RSTN bit and goes "L" $2/f_s$ after a rising edge of internal RSTN bit.
- (5) It takes $3 \sim 4/f_s$ until the internal RSTN is changed when changing RSTN bit to "0" and it takes $2 \sim 3/f_s$ when changing RSTN bit to "1".
- (6) Mute the analog output externally if click noise (3) adversely affect system performance.

Figure 61. Reset Timing Example

■ Synchronize Function (PCM mode, EXDF mode)

The AK4497 has a function that resets the internal counter to keep the timing of falling edge of the internal clock CLK1 and the external clock edge in a certain range. With this synchronize function, group delays between each device can be kept within $4/256f_s$ when using multiple AK4497's.

Clock synchronize function becomes valid when input data of both L and R channels are "0" for 8192 times continuously in PCM mode or EXDF mode, when both L and R channels become "0" and kept for 8192 times continuously by attenuation or when RSTN bit = "0". In PCM mode, the internal counter is synchronized with a rising edge of LRCK (falling edge of LRCK in I2C mode), and it is synchronized with a rising edge of WCK in EXDF mode. In this case, the analog output has the same voltage as VCML/R. This function is disabled by setting SYNCE bit = "0" in register control mode. Figure 62 shows a synchronizing sequence when the input data is "0" for 8192 times continuously. Figure 63 shows a synchronizing sequence by RSTN bit.

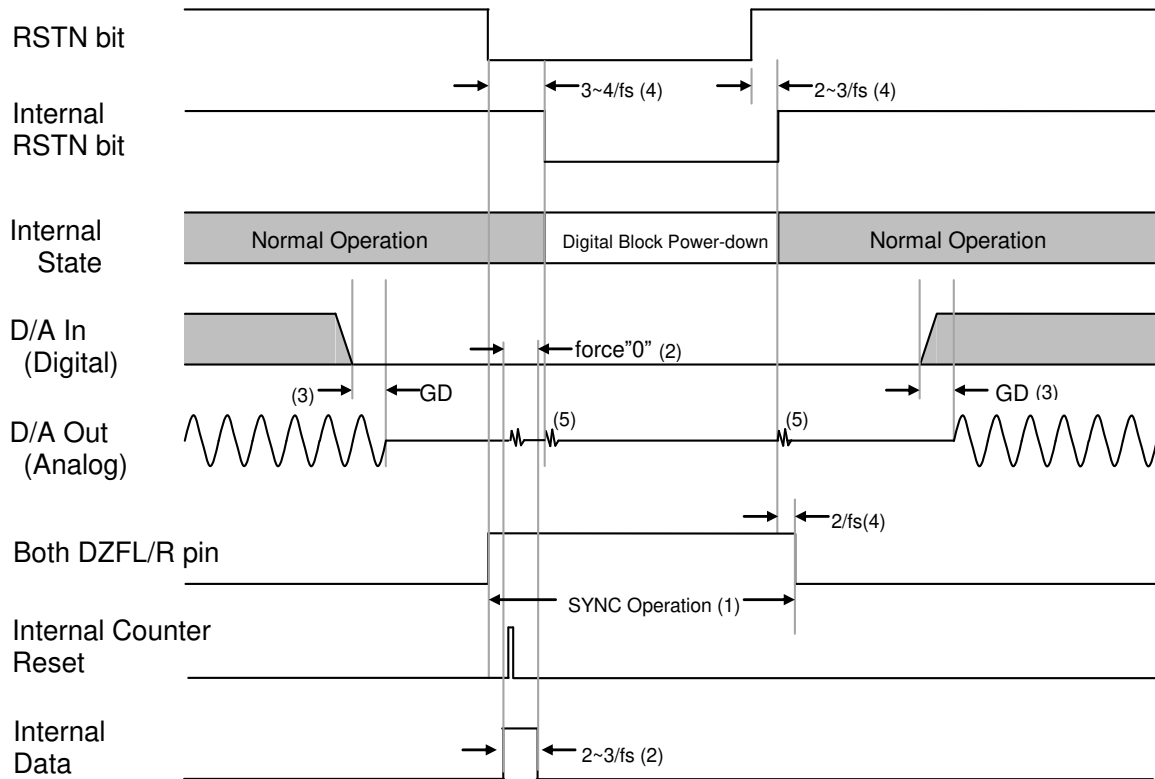


Notes:

- (1) Regarding ATT Transition time, refer to "■ Output Volume (PCM Mode, DSD Mode, EXDF Mode)".
- (2) When both L and R channels data are "0" for 8192 times continuously, the DZFL and DZFR pins become "H" and the synchronize function is valid.
- (3) Internal data is fixed to "0" forcibly for 2 to 3/fs when internal counter is reset.
- (4) A click noise may occur when the internal counter is reset. This noise is output even if a "0" data is input. Mute the analog output externally if this click noise affects the system performance.
- (5) When the internal clock and external clock are in synchronization, the internal counter is not reset even if the synchronize function is valid.

Figure 62. Synchronizing Sequenc by Continuous "0" Data Input for 8192 Times

If RSTN bit is set to "0", the output signal of the DZFL/R pin becomes "H". Then, the DAC is reset after $3\sim 4/f_s$ and the analog output becomes the same voltage as VCML/R. The synchronize function becomes valid when both of the DZFL and the DZFR pins output "H".



Note:

- (1) The DZFL and the DZFR pins become "H" by a falling edge of RSTN bit, and becomes "L" $2/f_s$ after a rising edge of internal signal of RSTN bit. The synchronize function is valid During the DZFL/R pin = "H".
- (2) Internal data is fixed to "0" forcibly for 2 to $3/f_s$ when the internal counter is reset.
- (3) Since the analog output corresponding to digital input has group delay (GD), it is recommended to have a no-input period longer than the group delay before writing "0" to RSTN bit.
- (4) It takes 3 to $4/f_s$ when falling to change the internal RSTN signal of the LSI after writing to RSTN bit. It also takes 2 to $3/f_s$ when rising to change the internal RSTN signal of the LSI. The synchronize function becomes valid immediately when "0" is written to RSTN bit. Therefore, there is a case that the internal counter is reset before internal RSTN signal of the LSI is changed.
- (5) A click noise occurs on the rising or falling edge of the internal RSTN signal and when the internal counter is reset. This noise is output even if a "0" data is input. Mute the analog output externally if this click noise affects the system performance.

Figure 63. Synchronizing Sequence by RSTN Bit

■ Register Control Interface

[1] 3-wire Serial Control Mode (I2C pin = "L")

Pins (pin control mode) or registers (register control mode) can control the functions of the AK4497. In pin control mode, the register setting is ignored, and in register control mode the pin settings are ignored. When the state of the PSN pin is changed, the AK4497 should be powered down by the PDN pin. Otherwise, malfunctions may occur since previous settings are not initialized. The register control interface is enabled by the PSN pin = "L". Internal registers may be written to through 3-wire μ P interface pins: CSN, CCLK and CDTI. The data on this interface consists of Chip address (2-bits, C1/0), Read/Write (1-bit; fixed to "1", write only), Register address (MSB first, 5-bits) and Control data (MSB first, 8-bits). The data is output on a falling edge of CCLK and the data is received on a rising edge of CCLK. The writing of data is valid when CSN " \uparrow ". The clock speed of CCLK is 5MHz (max).

Setting the PDN pin to "L" resets the registers to their default values. In register control mode, the digital block except control registers and clock divider is reset by setting RSTN bit to "0". In this case, the register values are not initialized.

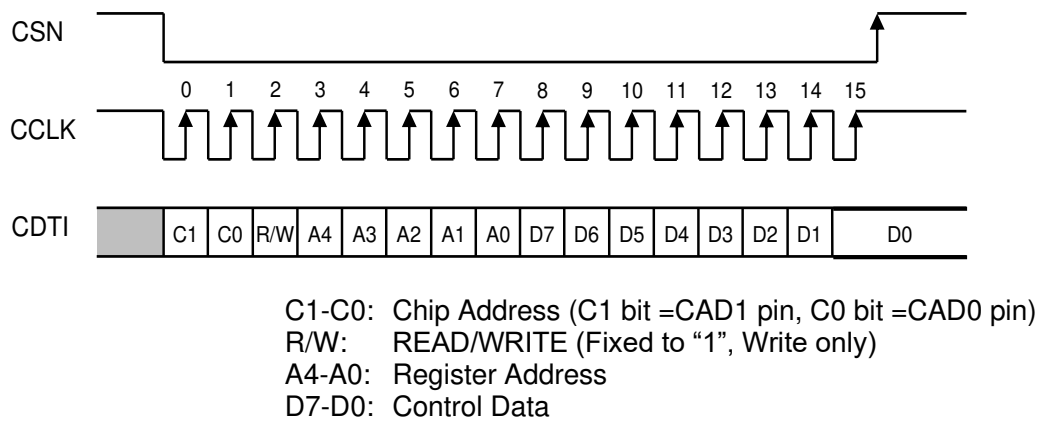


Figure 64. Control I/F Timing

- * The AK4497 does not support read commands in 3-wire serial control mode.
- * When the AK4497 is in power down mode (PDN pin = "L"), writing into control registers is prohibited.
- * The control data cannot be written when the CCLK rising edge is 15 times or less, or 17 times or more during CSN is "L".

Precautions when using the 3-wire serial interface

The I²C interface block continues to run, even when the 3-wire serial interface is selected. Therefore, if CDTI (SDA) transitions from "H" to "L" while CCLK (SCL) is "H", the I²C interface recognizes this as a start condition and receives subsequent data. If this data string matches the slave address, the I²C interface outputs the ACK signal and data to the CDTI (SDA) pin. As a result, the CDTI (SDA) pin would experience a drive conflict resulting from the I²C block's output and the 3-wire serial interface's input. In this scenario, the data cannot be reliably written to the register.

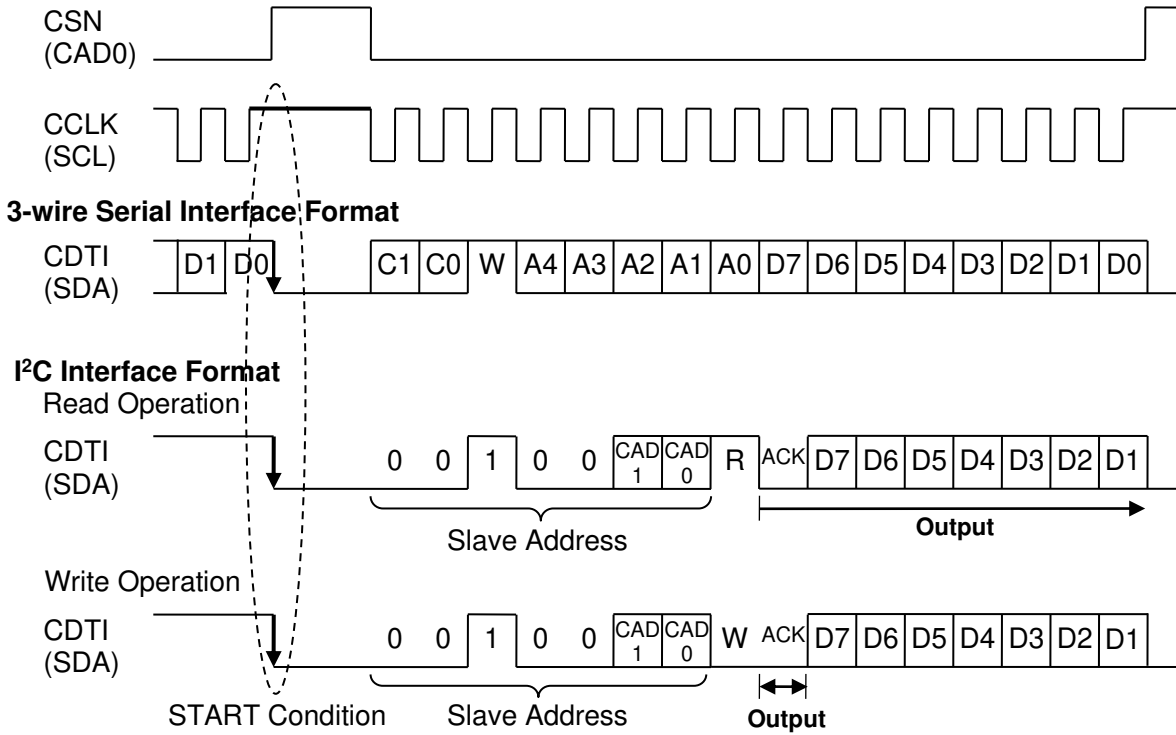


Figure 65. Comparison of 3-wire Serial and I²C Interface Timing

To prevent the above situation when using the 3-wire serial interface, change CDTI only at the falling edge of CCLK in order to avoid generation of a start condition.

Example 1) When CCLK is not stopped while CSN is "H"

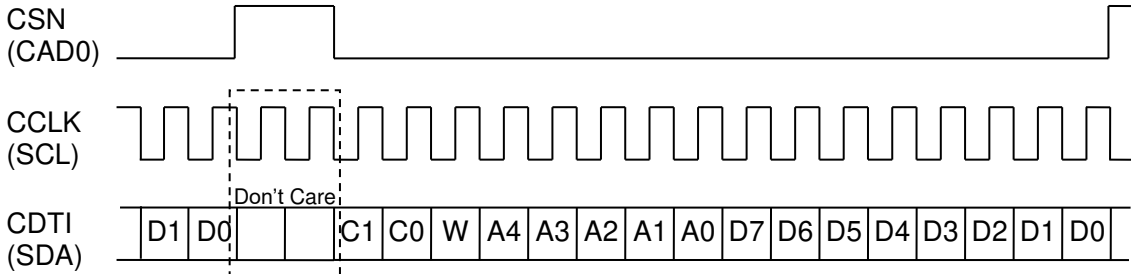


Figure 66. CDTI Change Timing Example 1

Example 2) When CCLK is stopped while CSN is "H"

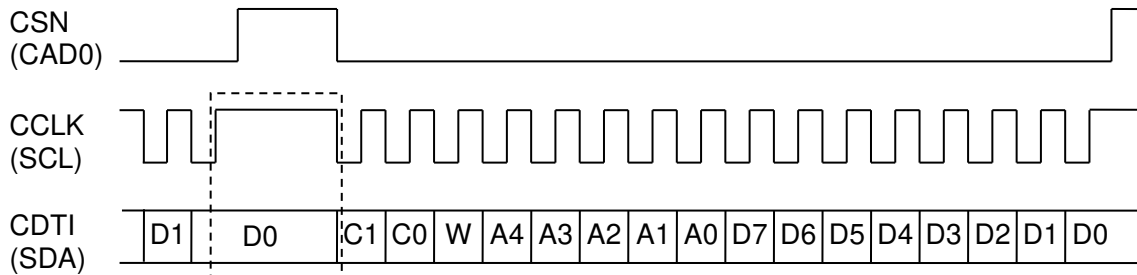


Figure 67. CDTI Change Timing Example 2

[2] I²C-bus Control Mode (I2C pin = “H”)

The AK4497 supports the fast-mode I²C-bus (max: 400kHz, Ver. 1.0).

(1) WRITE Operations

Figure 68 shows the data transfer sequence for the I²C-bus mode. All commands are preceded by a START condition. A HIGH to LOW transition on the SDA line while SCL is HIGH indicates a START condition (Figure 74). After the START condition, a slave address is sent. This address is 7 bits long followed by the eighth bit that is a data direction bit (R/W). The most significant five bits of the slave address are fixed as “00100”. The next bits are CAD1 and CAD0 (device address bits). This bit identifies the specific device on the bus. The hard-wired input pin (CAD1 pins, CAD0 pin) sets these device address bits (Figure 69). If the slave address matches that of the AK4497, the AK4497 generates an acknowledge and the operation is executed. The master must generate the acknowledge-related clock pulse and release the SDA line (HIGH) during the acknowledge clock pulse (Figure 75). A R/W bit value of “1” indicates that the read operation is to be executed, and “0” indicates that the write operation is to be executed.

The second byte consists of the control register address of the AK4497 and the format is MSB first. (Figure 70). The data after the second byte contains control data. The format is MSB first, 8bits (Figure 71). The AK4497 generates an acknowledge after each byte is received. Data transfer is always terminated by a STOP condition generated by the master. A LOW to HIGH transition on the SDA line while SCL is HIGH defines a STOP condition (Figure 74).

The AK4497 can perform more than one byte write operation per sequence. After receipt of the third byte the AK4497 generates an acknowledge and awaits the next data. The master can transmit more than one byte instead of terminating the write cycle after the first data byte is transferred. After receiving each data packet the internal address counter is incremented by one, and the next data is automatically taken into the next address. If the address exceeds “15H” prior to generating a stop condition, the address counter will “roll over” to “00H” and the previous data will be overwritten.

The data on the SDA line must remain stable during the HIGH period of the clock. HIGH or LOW state of the data line can only be changed when the clock signal on the SCL line is LOW (Figure 76) except for the START and STOP conditions.

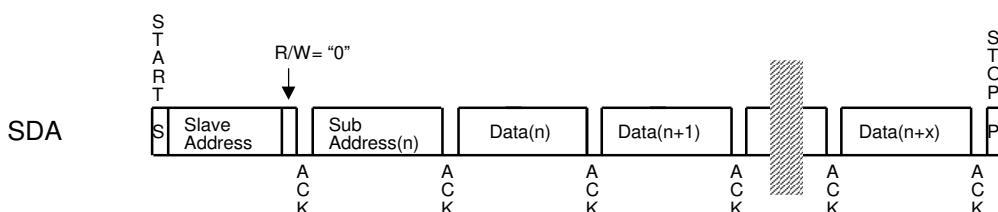
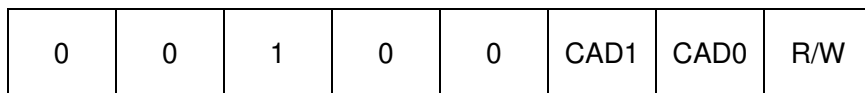


Figure 68. Data Transfer Sequence at I²C Bus Mode



(CAD0 is set by the pin)

Figure 69. The First Byte

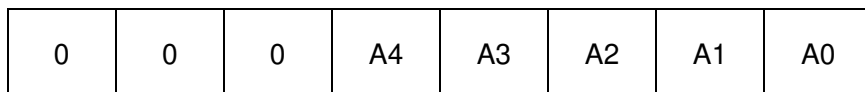


Figure 70. The Second Byte

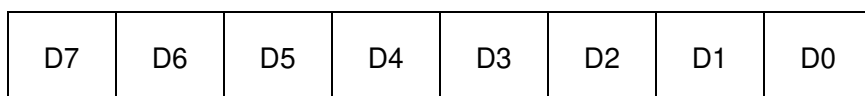


Figure 71. The Third Byte and After The Third Byte

(2) READ Operation

Set the R/W bit = "1" for the READ operation of the AK4497. After transmission of data, the master can read the next address's data by generating an acknowledge instead of terminating the write cycle after the receipt of the first data word. After receiving each data packet the internal address counter is incremented by one, and the next data is automatically taken into the next address. If the address exceeds "15H" prior to generating stop condition, the address counter will "roll over" to "00H" and the data of "00H" will be read out.

The AK4497 supports two basic read operations: Current Address Read and Random Address Read.

(2)-1. Current Address Read

The AK4497 has an internal address counter that maintains the address of the last accessed word incremented by one. Therefore, if the last access (either a read or write) were to address "n", the next CURRENT READ operation would access data from the address "n+1". After receipt of the slave address with R/W bit "1", the AK4497 generates an acknowledge, transmits 1-byte of data to the address set by the internal address counter and increments the internal address counter by 1. If the master does not generate an acknowledge but generates a stop condition instead, the AK4497 ceases the transmission.

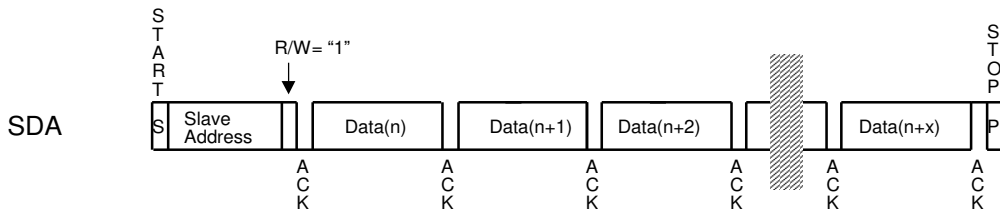


Figure 72. Current Address Read

(2)-2. Random Address Read

The random read operation allows the master to access any memory location at random. Prior to issuing the slave address with the R/W bit "1", the master must first perform a "dummy" write operation. The master issues a start request, a slave address (R/W bit = "0") and then the register address to read. After the register address is acknowledged, the master immediately reissues the start request and the slave address with the R/W bit "1". The AK4497 then generates an acknowledge, 1 byte of data and increments the internal address counter by 1. If the master does not generate an acknowledge but generates a stop condition instead, the AK4497 ceases the transmission.

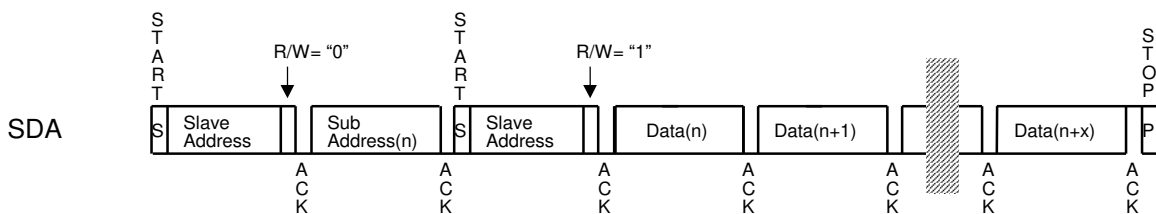


Figure 73. Random Address Read

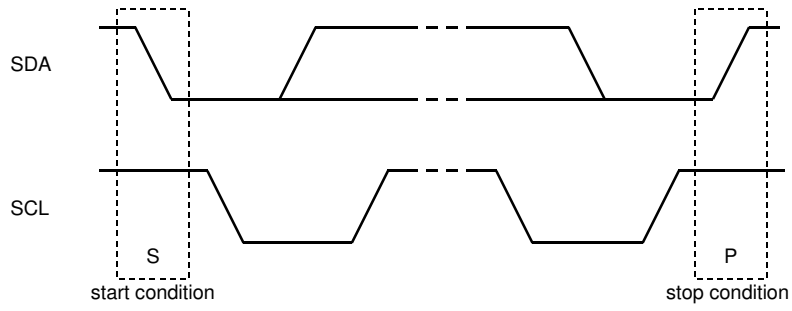


Figure 74. Start Condition and Stop Condition

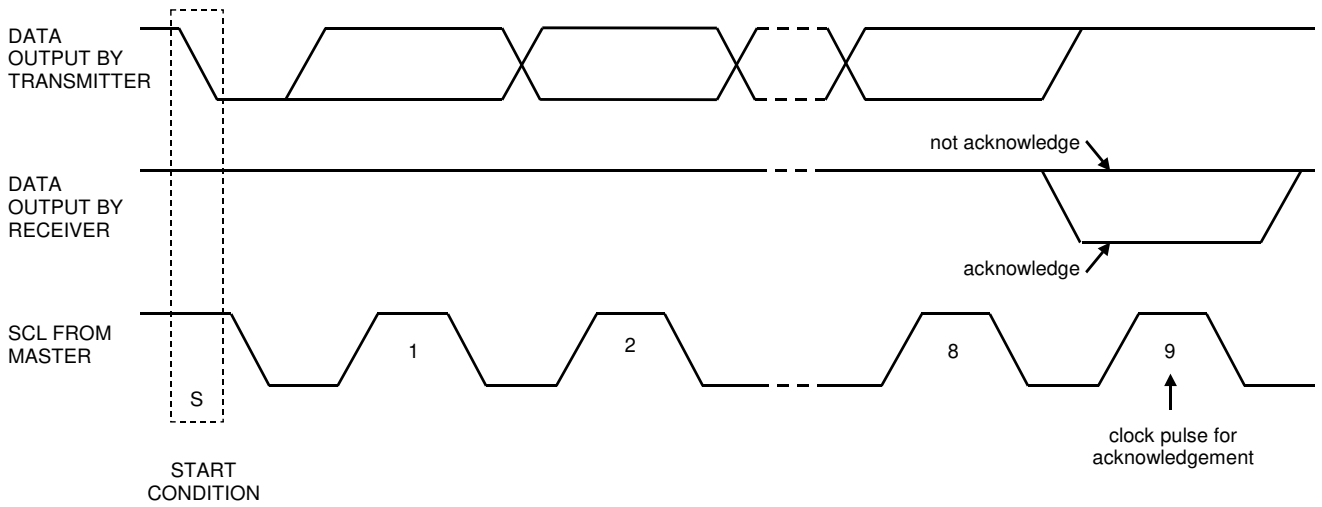


Figure 75. Acknowledge (I²C Bus)

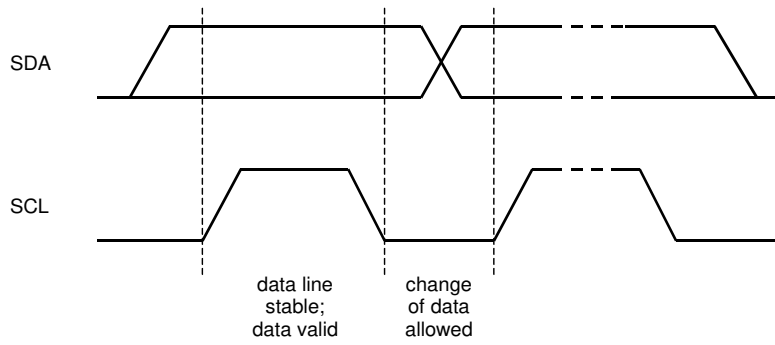


Figure 76. Bit Transfer (I²C Bus)

■ Register Map

Addr	Register Name	D7	D6	D5	D4	D3	D2	D1	D0
00H	Control 1	ACKS	EXDF	ECS	AFSD	DIF2	DIF1	DIF0	RSTN
01H	Control 2	DZFE	DZFM	SD	DFS1	DFS0	DEM1	DEM0	SMUTE
02H	Control 3	DP	0	DCKS	DCKB	MONO	DZFB	SELLR	SLOW
03H	Lch ATT	ATT7	ATT6	ATT5	ATT4	ATT3	ATT2	ATT1	ATT0
04H	Rch ATT	ATT7	ATT6	ATT5	ATT4	ATT3	ATT2	ATT1	ATT0
05H	Control4	INVL	INVR	0	0	0	0	DFS2	SSLOW
06H	DSD1	DDM	DML	DMR	DMC	DMRE	0	DSDD	DSDSEL0
07H	Control5	0	0	0	0	GC2	GC1	GC0	SYNCE
08H	Sound Control	0	0	0	0	HLOAD	SC2	SC1	SC0
09H	DSD2	0	0	0	0	0	DSDPATH	DSDF	DSDSEL1
0AH	Control 7	TDM1	TDM0	SDS1	SDS2	0	PW	0	0
0BH	Control 8	ATS1	ATS0	0	SDS0	0	0	DCHAIN	TEST
0CH	Reserved	0	0	0	0	0	0	0	0
0DH	Reserved	0	0	0	0	0	0	0	0
0EH	Reserved	0	0	0	0	0	0	0	0
0FH	Reserved	0	0	0	0	0	0	0	0
10H	Reserved	0	0	0	0	0	0	0	0
11H	Reserved	0	0	0	0	0	0	0	0
12H	Reserved	0	0	0	0	0	0	0	0
13H	Reserved	0	0	0	0	0	0	0	0
14H	Reserved	0	0	0	0	0	0	0	0
15H	DFS read	0	0	0	0	0	ADFS2	ADFS1	ADFS0

Notes:

- In 3-wire serial control mode, the AK4497 does not support read commands.
- The AK4497 supports read command in I²C-bus control mode.
- If the address exceeds "15H", the address counter will "roll over" to "00H" and the next write/read address will be "00H" by automatic increment function in I2C-Bus mode.
- Bits indicated as 0 in each address and TEST bit in "0BH" must contain a "0" value. Malfunctions may occur if a "1" data is written to these bits.
- When the PDN pin goes to "L", the registers are initialized to their default values.
- When RSTN bit is set to "0", the digital block except control registers and clock divider is reset, and the registers are not initialized to their default values.
- When the state of the PSN pin is changed, the AK4497 should be reset by the PDN pin.

(Note) The AK4497 is register compatible with the AK4490 and the AK4495.

(Reference) AK4490 Register Map

Addr	Register Name	D7	D6	D5	D4	D3	D2	D1	D0
00H	Control 1	ACKS	EXDF	ECS	0	DIF2	DIF1	DIF0	RSTN
01H	Control 2	DZFE	DZFM	SD	DFS1	DFS0	DEM1	DEM0	SMUTE
02H	Control 3	DP	0	DCKS	DCKB	MONO	DZFB	SELLR	SLOW
03H	Lch ATT	ATT7	ATT6	ATT5	ATT4	ATT3	ATT2	ATT1	ATT0
04H	Rch ATT	ATT7	ATT6	ATT5	ATT4	ATT3	ATT2	ATT1	ATT0
05H	Control4	INVL	INVR	0	0	0	0	DFS2	DFTHR
06H	DSD1	DDM	DML	DMR	DMC	DMRE	0	DSDD	DSDSEL0
07H	Control5	0	0	0	0	0	0	0	SYNCE
08H	Sound Control	0	0	0	0	0	0	SC1	SC0
09H	DSD2	0	0	0	0	0	0	DSDF	DSDSEL1

(Reference) AK4495 Register Map

Addr	Register Name	D7	D6	D5	D4	D3	D2	D1	D0
00H	Control 1	ACKS	EXDF	ECS	0	DIF2	DIF1	DIF0	RSTN
01H	Control 2	DZFE	DZFM	SD	DFS1	DFS0	DEM1	DEM0	SMUTE
02H	Control 3	DP	0	DCKS	DCKB	MONO	DZFB	SELLR	SLOW
03H	Lch ATT	ATT7	ATT6	ATT5	ATT4	ATT3	ATT2	ATT1	ATT0
04H	Rch ATT	ATT7	ATT6	ATT5	ATT4	ATT3	ATT2	ATT1	ATT0
05H	Control4	INVL	INVR	0	0	0	0	DFS2	DFTHR
06H	Control5	DDM	DML	DMR	DMC	DMRE	DSDD1	DSDD0	DSDSEL
07H	Control6	0	0	0	0	0	0	0	SYNCE
08H	Sound Control	0	0	0	0	0	SC2	SC1	SC0
09H	Reserved	0	0	0	0	0	0	0	0

■ Register Definitions

Addr	Register Name	D7	D6	D5	D4	D3	D2	D1	D0
00H	Control 1	ACKS	EXDF	ECS	AFSD	DIF2	DIF1	DIF0	RSTN
	R/W	R/W	R/W	R/W	R/W	R/W	R/W	R/W	R/W
	Default	0	0	0	0	1	1	0	0

RSTN: Internal Timing Reset

- 0: Reset. All registers are not initialized. (default)
- 1: Normal Operation

DIF[2:0]: Audio Data Interface Modes ([Table 24](#))

Initial value is "110" (Mode 6: 32-bit MSB justified)

AFSD: Sampling Frequency Auto Detect Mode Enable (PCM & EXDF mode only). ([Table 5](#))

- 0: Disable: Manual or Auto Setting Mode (default)
 - 1: Enable: Auto Detect Mode
- When AFSD bit = "1", DFS[2:0] bits are ignored.

ECS: EXDF mode clock setting ([Table 23](#))

- 0: WCK=768kHz mode (default)
- 1: WCK=384kHz mode

EXDF: External Digital Filter I/F Mode (Register Control mode only)

- 0: Disable: Internal Digital Filter mode (default)
- 1: Enable: External Digital Filter mode

ACKS: Master Clock Frequency Auto Setting Mode Enable (PCM & EXDF mode only). ([Table 14](#), [Table 5](#))

- 0: Disable: Manual Setting Mode (default)
- 1: Enable: Auto Setting Mode

Addr	Register Name	D7	D6	D5	D4	D3	D2	D1	D0
01H	Control 2	DZFE	DZFM	SD	DFS1	DFS0	DEM1	DEM0	SMUTE
	R/W	R/W	R/W	R/W	R/W	R/W	R/W	R/W	R/W
	Default	0	0	1	0	0	0	1	0

SMUTE: Soft Mute Enable

0: Normal Operation (default)

1: DAC outputs soft-muted.

DEM[1:0]: De-emphasis Filter Control ([Table 30](#))

Initial value is "01" (OFF).

DFS[1:0]: Sampling Speed Control. ([Table 7](#), [Table 11](#))

Initial value is "000" (Normal Speed). Click noise occurs when DFS1-0 bits are changed.

SD: Minimum delay Filter Enable. ([Table 28](#))

0: Traditional filter

1: Short delay filter (default)

DZFM: Data Zero Detect Mode

0: Channel Separated Mode (default)

1: Channel ANDed Mode

If the DZFM bit is set to "1", the DZF pins of both L and R channels go to "H" only when the input data at both channels are continuously zeros for 8192 LRCK cycles.

DZFE: Data Zero Detect Enable

0: Disable (default)

1: Enable

Zero detect function can be disabled by DZFE bit "0". In this case, the DZF pins of both channels are always "L".

Addr	Register Name	D7	D6	D5	D4	D3	D2	D1	D0
02H	Control 3	DP	0	DCKS	DCKB	MONO	DZFB	SELLR	SLOW
	R/W	R/W	R/W	R/W	R/W	R/W	R/W	R/W	R/W
	Default	0	0	0	0	0	0	0	0

SLOW: Slow Roll-off Filter Enable. (Table 28)

0: Slow roll-off filter disable (default)

1: Slow roll-off filter

SELLR: The data selection of L channel and R channel, when MONO mode

0: All channel output L channel data, when MONO mode. (default)

L channel output L channel data, Rchannel data output Rchannel data(default)

1: All channel output R channel data, when MONO mode.

L channel output R channel data, Rchannel data output Lchannel data

DZFB: Inverting Enable of DZF. (Table 36)

0: DZF pin goes "H" at Zero Detection (default)

1: DZF pin goes "L" at Zero Detection

MONO: MONO mode Stereo mode select

0: Stereo mode (default)

1: MONO mode

DCKB: Polarity of DCLK (DSD Only)

0: DSD data is output from DCLK falling edge. (default)

1: DSD data is output from DCLK rising edge.

DCKS: Master Clock Frequency Select at DSD mode (DSD only)

0: 512fs (default)

1: 768fs

DP: DSD/PCM Mode Select

0: PCM Mode (default)

1: DSD Mode

When DP bit is changed, the AK4497 should be reset by RSTN bit.

Addr	Register Name	D7	D6	D5	D4	D3	D2	D1	D0
03H	Lch ATT	ATT7	ATT6	ATT5	ATT4	ATT3	ATT2	ATT1	ATT0
04H	Rch ATT	ATT7	ATT6	ATT5	ATT4	ATT3	ATT2	ATT1	ATT0
	R/W	R/W	R/W	R/W	R/W	R/W	R/W	R/W	R/W
	Default	1	1	1	1	1	1	1	1

ATT[7:0]: Attenuation Level
255 levels 0.5dB step + mute

Data	Attenuation
FFH	0dB (default)
FEH	-0.5dB
FDH	-1.0dB
:	:
:	:
02H	-126.5dB
01H	-127.0dB
00H	MUTE ($-\infty$)

Addr	Register Name	D7	D6	D5	D4	D3	D2	D1	D0
05H	Control 4	INVL	INVR	0	0	0	0	DFS2	SSLOW
	R/W	R/W	R/W	R/W	R/W	R/W	R/W	R/W	R/W
	Default	0	0	0	0	0	0	0	0

SSLOW: Super Slow Roll Off (Digital Filter bypass mode) Enable. ([Table 28](#))
0: Disable (default)
1: Enable

DFS2: Sampling Speed Control. ([Table 11](#))

INVR: AOATR Output Phase Inverting
0: Disable (default)
1: Enable

INVL: AOATL Output Phase Inverting
0: Disable (default)
1: Enable

Addr	Register Name	D7	D6	D5	D4	D3	D2	D1	D0
06H	DSD1	DDM	DML	DMR	DMC	DMRE	0	DSDD	DSDSELO
	R/W	R/W	R	R	R/W	R/W	R/W	R/W	R/W
	Default	0	0	0	0	0	0	0	0

DSDSEL[1:0]: DSD Sampling Speed Control

Table 21. DSD Data Stream Select

DSDSEL1	DSDSEL0	DSD Data Stream			(default)
		fs=32kHz	fs=44.1kHz	fs=48kHz	
0	0	2.048MHz	2.8224MHz	3.072MHz	(default)
0	1	4.096MHz	5.6448MHz	6.144MHz	
1	0	8.192MHz	11.2896MHz	12.288MHz	
1	1	16.284MHz	22.5792MHz	24.576MHz	

DSDD: DSD Play back path control

Table 22. DSD Playback Path Select

DSDD	Mode	(default)
0	Normal Path	(default)
1	Volume Bypass	

DMRE: DSD Mute Release

0: Hold (default)

1: Mute Release

This register is only valid when DDM bit = "1" and DMC bit = "1". When the AK4497 mutes DSD data by DDM and DMC bits settings, the mute is released by setting DMRE bit to "1".

Table 42. Recovery Method to Normal Operation Mode from Full Scale Detection Status

DDM	DMC	DMRE	Status After Detection	(default)
0	*	*	When full scale is detected, Mute function is disabled.	(default)
1	0	*	When full scale is detected, Mute function is enabled. The AK4497 returns to normal operation automatically by a normal signal input.	
1	1	0	When full scale is detected, Mute function is enabled. The AK4497 keeps mute mode, even if a normal signal is input.	
1	1	1 (Note 50)	When full scale is detected, Mute function is enabled. The AK4497 returns to normal operation when a normal signal is input and DMRE bit is set to "1".	

Note 50. DMRE bit returns to "0" automatically after the AK4497 returns to normal operation.

DMC: DSD Mute Control

0: Auto Return (default)

1: Mute Hold (manual return)

This register is only valid when DDM bit = "1". It selects the mute releasing mode of when the DSD data level becomes under full-scale after the AK4497 mutes DSD data by DDM bit setting.

DMR/DML

This register outputs detection flag when a full scale signal is detected at DSDR/L channel. (only in I²C mode)

DDM: DSD Data Mute

0: Disable (default)

1: Enable

The AK4497 has an internal mute function that mutes the output when DSD audio data becomes all "1" or all "0" for 2048 Samples (DCLK cycle). DDM bit controls this function.

Addr	Register Name	D7	D6	D5	D4	D3	D2	D1	D0
07H	Control 5	0	0	0	0	GC2	GC1	GC0	SYNCE
	R/W	R/W	R/W	R/W	R/W	R/W	R/W	R/W	R/W
	Default	0	0	0	0	0	0	0	1

SYNCE: SYNC Mode Enable
 0: SYNC Mode Disable
 1: SYNC Mode Enable (default)

GC[2:0]: PCM, DSD mode Gain Control

Table 34. Output Level between Set Values of GC[2:0] Bit

GC[2] bit	GC[1] bit	GC[0] bit	AOUTLP/LN/RP/RN Output Level			(default)
			PCM	DSD: Normal Path	DSD: Volume Bypass	
0	0	0	2.8 Vpp	2.8 Vpp	2.5 Vpp	
0	0	1	2.8 Vpp	2.5 Vpp	2.5 Vpp	
0	1	0	2.5 Vpp	2.5 Vpp	2.5 Vpp	
0	1	1	2.5 Vpp	2.5 Vpp	2.5 Vpp	
1	0	0	3.75 Vpp	3.75 Vpp	2.5 Vpp	
1	0	1	3.75 Vpp	2.5 Vpp	2.5 Vpp	
1	1	0	2.5 Vpp	2.5 Vpp	2.5 Vpp	
1	1	1	2.5 Vpp	2.5 Vpp	2.5 Vpp	

Addr	Register Name	D7	D6	D5	D4	D3	D2	D1	D0
08H	Sound Control	0	0	0	0	HLOAD	SC2	SC1	SC0
	R/W	R/W	R/W	R/W	R/W	R/W	R/W	R/W	R/W
	Default	0	0	0	0	0	0	0	0

SC[2:0]: Sound Control.

Table 39. Sound Quality Select Mode

SC1 bit	SC0 bit	Internal Operation	(default)
0	0	Analog internal current, maximum (Setting1)	
0	1	Analog internal current, minimum (Setting2)	
1	0	Analog internal current, medium (Setting3)	
1	1	Analog internal current, minimum (Setting2)	

Table 40. Sound Quality Select Mode

SC2 bit	Sound	(default)
0	Default (Setting 4)	
1	High Sound Quality Mode (Setting 5)	

HLOAD: Heavy Load Mode Enable
 0: Heavy Load Mode Disable (default)
 1: Heavy Load Mode Enable

Addr	Register Name	D7	D6	D5	D4	D3	D2	D1	D0
09H	DSD2	0	0	0	0	0	DSDPATH	DSDF	DSDSEL1
	R/W	R	R	R	R	R	R/W	R/W	R/W
	Default	0	0	0	0	0	0	0	0

DSDSEL1: DSD Sampling Speed Control.

Table 21. DSD Data Stream Select

DSDSEL1	DSDSEL0	DSD data stream			(default)
		fs=32kHz	fs=44.1kHz	fs=48kHz	
0	0	2.048MHz	2.8224MHz	3.072MHz	
0	1	4.096MHz	5.6448MHz	6.144MHz	
1	0	8.192MHz	11.2896MHz	12.288MHz	
1	1	16.284MHz	22.5792MHz	24.576MHz	

DSDF: Cut-off frequency of DSD Filter Control

Table 29. DSD Filter Select

DSDF bit	Cut Off Frequency @fs=44.1kHz				(default)
	DSD64fs	DSD128fs	DSD256fs	DSD512fs	
0	39kHz	78kHz	156kHz	312kHz	
1	76kHz	152kHz	304kHz	608kHz	

DSDPATH: DSD Data Input Pin Select

0: #16, 17, 19 (default)

1: #3, 4, 5

Table 4. PCM/DSD/EXDF Mode Control

DP bit	EXDF bit	DSDPATH bit	D/A Conv. Mode	Pin Assignment					
				#3 pin	#4 pin	#5 pin	#16 pin	#17 pin	#19 pin
0 (default)	0 (default)	x	PCM	BICK	SDATA	LRCK	Not Use	Not Use	Not Use
1	x	0 (default)	DSD	Not Use	Not Use	Not Use	DSDL	DSDR	DCLK
1	x	1	DSD	DCLK	DSDL	DSDR	Not Use	Not Use	Not Use
0	1	*	EXDF	BCK	DINL	DINR	Not Use	Not Use	Not Use

(x: Do not care)

Addr	Register Name	D7	D6	D5	D4	D3	D2	D1	D0
0AH	Control 7	TDM1	TDM0	SDS1	SDS2	0	PW	0	0
	R/W	R/W	R/W	R/W	R/W	R/W	R/W	R/W	R/W
	Default	0	0	0	0	0	1	0	0

PW: Power ON/OFF Control

0: Power Off

1: Power On (default)

SDS[2:0]: Output Data Slot Selection of Each Channel

0: Normal Operation

1: Changing Data Slot (Table 25)

Default value is "000"

TDM[1:0]: TDM Mode Select

00: Normal (default)

01: TDM128

10: TDM256

11: TDM512

Addr	Register Name	D7	D6	D5	D4	D3	D2	D1	D0
0BH	Control 8	ATS1	ATS0	0	SDS0	0	0	DCHAIN	TEST
	R/W	R/W	R/W	R/W	R/W	R/W	R/W	R/W	R/W
	Default	0	0	0	0	0	0	0	0

TEST: "0" data must be written to Test bit. Otherwise malfunctions may occur.

DCHAIN: Daisy Chain Mode Enable
 0: Daisy Chain Mode Disable (default)
 1: Daisy Chain Mode Enable

SDS[2:0]: Output Data Slot Selection of Each Channel
 0: Normal Operation
 1: Changing Data Slot ([Table 25](#))

ATS[1:0]: Transition Time between Set Values of ATT[7:0] bits ([Table 33](#))
 Default value is "00".

Addr	Register Name	D7	D6	D5	D4	D3	D2	D1	D0
0CH	Reserved	0	0	0	0	0	0	0	0
0DH	Reserved	0	0	0	0	0	0	0	0
0EH	Reserved	0	0	0	0	0	0	0	0
0FH	Reserved	0	0	0	0	0	0	0	0
10H	Reserved	0	0	0	0	0	0	0	0
11H	Reserved	0	0	0	0	0	0	0	0
	R/W	R/W	R/W	R/W	R/W	R/W	R/W	R/W	R/W
	Default	0	0	0	0	0	0	0	0

0CH: Reserved

0DH: Reserved

0EH: Reserved

0FH: Reserved

10H: Reserved

11H: Reserved

Addr	Register Name	D7	D6	D5	D4	D3	D2	D1	D0
12H	Reserved	0	0	0	0	0	0	0	0
13H	Reserved	0	0	0	0	0	0	0	0
14H	Reserved	0	0	0	0	0	0	0	0
	R/W	R	R	R	R	R	R	R	R
	Default	0	0	0	0	0	0	0	0

12H: Reserved

13H: Reserved

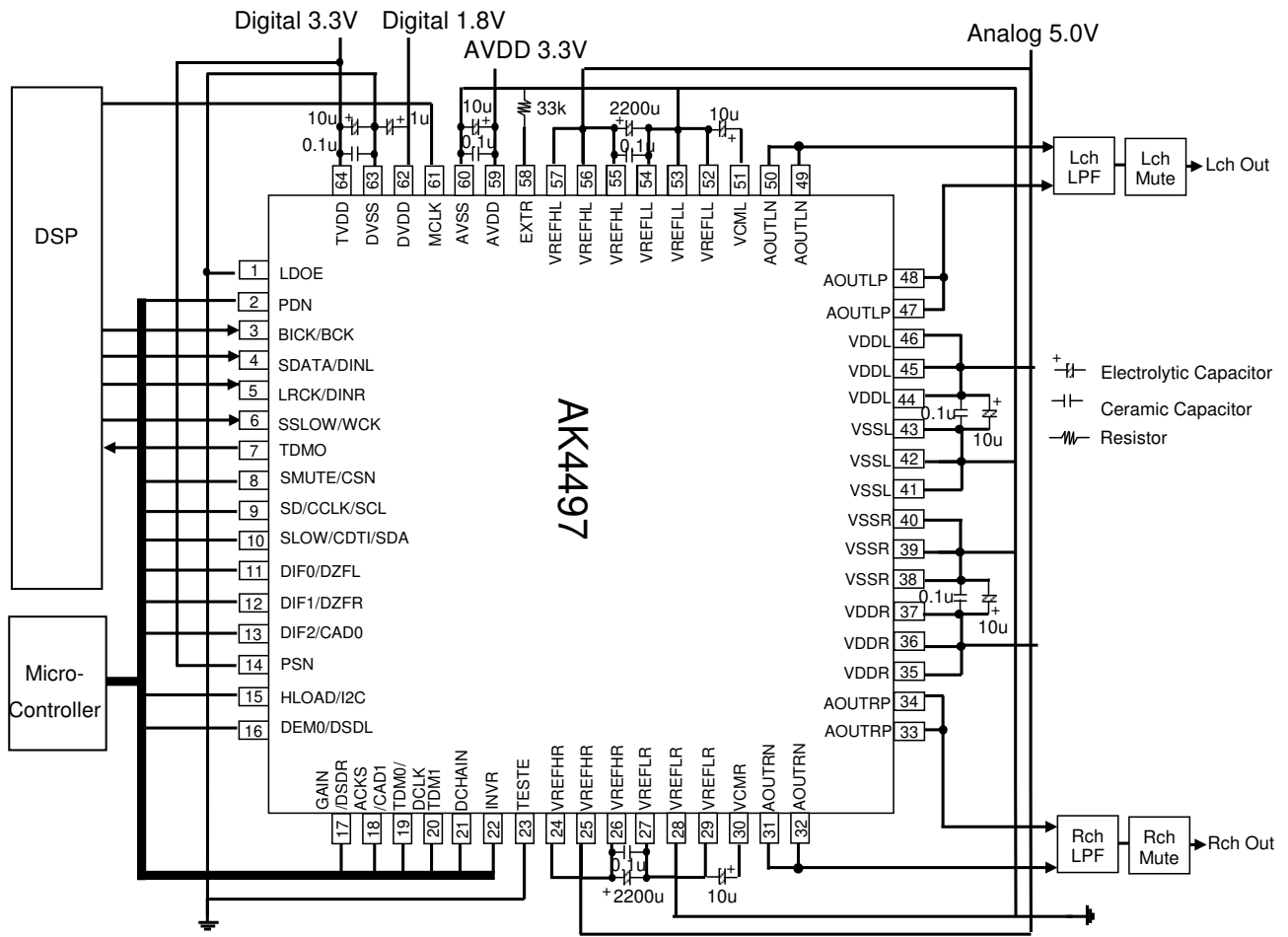
14H: Reserved

Addr	Register Name	D7	D6	D5	D4	D3	D2	D1	D0
15H	ADFS read	0	0	0	0	0	ADFS2	ADFS1	ADFS0
	R/W	R	R	R	R	R	R	R	R
	Default	0	0	0	0	0	0	0	0

ADFS[2:0]: Mode Detection Result in FS Auto Detect Mode

ADFS2 bit	ADFS1 bit	ADFS0 bit	Mode
0	0	0	Normal Speed Mode
0	0	1	Double Speed Mode
0	1	0	Quad Speed Mode
0	1	1	Quad Speed Mode
1	0	0	Oct Speed Mode
1	0	1	Hex Speed Mode
1	1	0	Oct Speed Mode
1	1	1	Hex Speed Mode

10. Recommended External Circuits



Notes:

- Chip Address = "00". BICK = 64fs, LRCK = fs
- Power lines of AVDD, TVDD, VDDL and VDDR should be distributed separately from the point with low impedance of regulator etc.
- AVSS, DVSS, VSSL and VSSR must be connected to the same analog ground plane. (Analog ground should has low impedance as a solid pattern. THD+N characteristics will degrade if there are impedances between each VSS.)
- It is recommended to connect a damping resistor if THD+N characteristics degrade by high frequency noise of MCLK.
- All input pins except pull-down/pull-up pins should not be allowed to float.

Figure 77. Typical Connection Diagram
(AVDD=TVDD=3.3V, VDDL/R=5.0V, LDOE= "L", Pin Control Mode)

1. Grounding and Power Supply Decoupling

To minimize coupling by digital noise, decoupling capacitors should be connected to AVDD, TVDD, DVDD, VDDL and VDDR. AVDD and VDDL/R are supplied from analog supply in system, and TVDD and DVDD are supplied from digital supply in system. Power lines of VDDL/R should be distributed separately from the point with low impedance of regulator etc. When not using LDO (LDOE pin = "L"), power supplies should be powered up in the order of 3.3V power supplies (AVDD, TVDD) first, the 1.8V power supply (DVDD) next and 5V power supplies (VDDL/R) last. When using LDO (LDOE pin = "H"), the internal LDO outputs 1.8V. **AVSS, DVSS, VSSL and VSSR must be connected to the same analog ground plane.** Decoupling capacitors for high frequency should be placed as near as possible to the supply pin.

2. Voltage Reference

The differential voltage between VREFHL/R and VREFLL/R sets the full scale of the analog output range. The VREFHL/R pin is normally connected to the 5.0V reference voltage, and the VREFLL/R pin is normally connected to the 0V reference voltage. VREFHL/R and VREFLL/R should be connected with a 0.1 μ F ceramic capacitor and a 2200 μ F electrolytic capacitor as near as possible to the pin to eliminate the effects of high frequency noise.

The VREFH and VREFL pins should be treated to not have noises from other supply pins. If the analog characteristics cannot satisfy the specification by this noise, connect the VREFH to analog 5.0V via a 10 Ω resistor and connect the VREFL pin to the analog ground via a 10 Ω resistor. (A low-pass filter of $f_c=500$ Hz will be composed by a 2200 μ F capacitor and a 10 Ω resistor. This low-pass filter removes signal frequency noise from other power supply pins.)

VCML/R is a common voltage of this chip. No load current may be drawn from the VCML/R pin. All signals, especially clocks, should be kept away from the VREFHL/R and VREFLL/R pins in order to avoid unwanted noise coupling into the AK4497.

3. Analog Outputs

The analog outputs are full differential outputs. The differential outputs are summed externally, $V_{AOUT} = (AOUT+) - (AOUT-)$ between AOUT+ and AOUT-. If the summing gain is 1, the output range of the setting the GAIN pin = "L" or GC[2] bit = "0" is 2.8Vpp (typ, VREFHL/R – VREFLL/R = 5V) centered around VCML and VCMR voltages. In this case, the output range after summing will be 5.6V (typ.). The output range of the setting the GAIN pin = "H" or GC[2] bit = "1" is 3.75Vpp (typ.) centered around VCML and VCMR voltages. In this case, the output range after summing will be 7.5Vpp (typ.). The bias voltage of the external summing circuit is supplied externally.

The input data format is 2's complement. The output voltage (V_{AOUT}) is a positive full scale for 7FFFFFFFH (@32bit) and a negative full scale for 80000000H (@32bit). The ideal V_{AOUT} is 0V for 00000000H (@32bit). The internal switched-capacitor filters attenuate the noise generated by the delta-sigma modulator beyond the audio passband. Figure 78 and Figure 79 show examples of external LPF circuit summing the differential outputs by a single op-amp. Figure 80 shows an example of differential output circuit and external LPF circuit with two op-amps. Figure 81 shows an example of external LPF circuit with two op-amps when MONO bit = "1". A resistor that has 0.1% or less absolute error must be used for external LPFs.

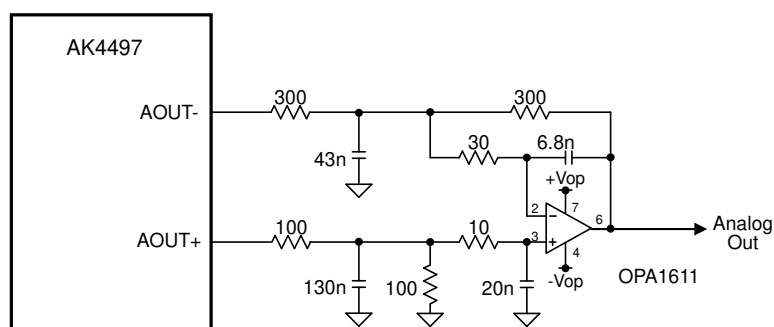


Figure 78. External LPF Circuit Example 1 ($f_c = 98$ kHz(typ), $Q=0.667$ (typ))

Table 46. Frequency Response of External LPF Circuit Example 1

Gain(1kHz,typ)	0 dB	
Frequency Response (ref:1kHz,typ)	20kHz	-0.07 dB
	40kHz	-0.32 dB
	80kHz	-2.13 dB

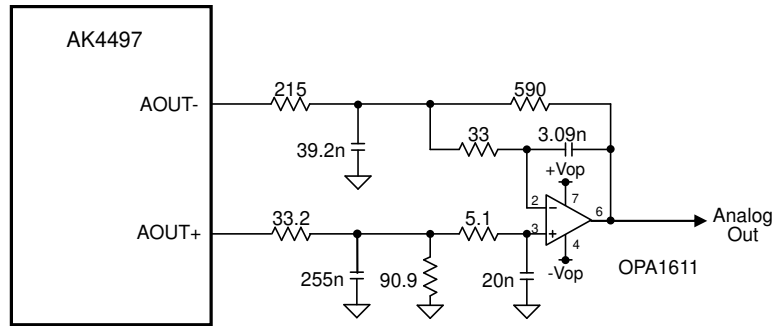


Figure 79. External LPF Circuit Example 2 ($f_c = 104\text{kHz}(\text{typ})$, $Q=0.693(\text{typ})$)

Table 47. Frequency Response of External LPF Circuit Example 2

Gain(1kHz,typ)	+8.78 dB	
Frequency Response (ref:1kHz,typ)	20kHz	-0.02 dB
	40kHz	-0.15 dB
	80kHz	-1.46 dB

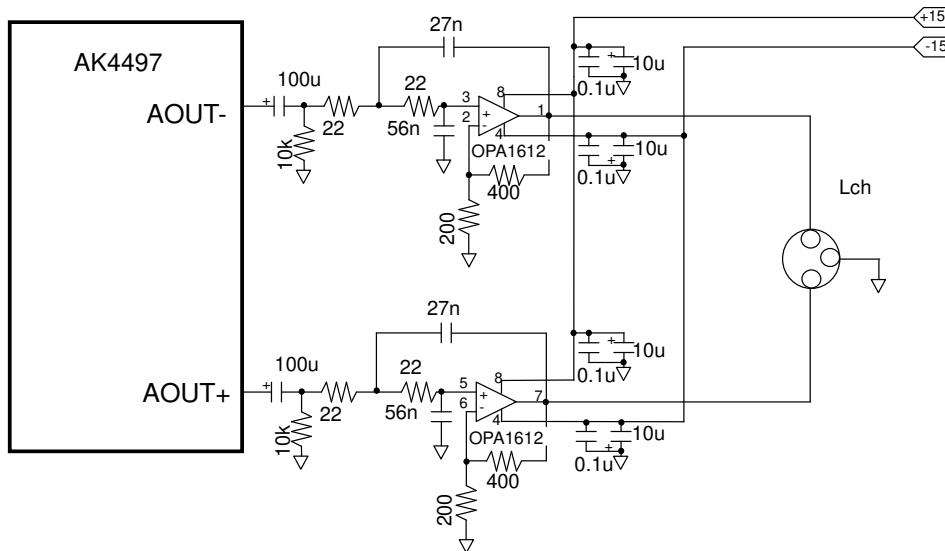


Figure 80. External LPF Circuit Example 3 ($f_c = 186\text{kHz}(\text{typ})$, $Q=0.67(\text{typ})$)

Table 48. Frequency Response of External LPF Circuit Example 3

Gain(1kHz,typ)	+9.54 dB	
Frequency Response (ref:1kHz,typ)	20kHz	-0.01 dB
	40kHz	-0.06 dB
	80kHz	-0.32 dB

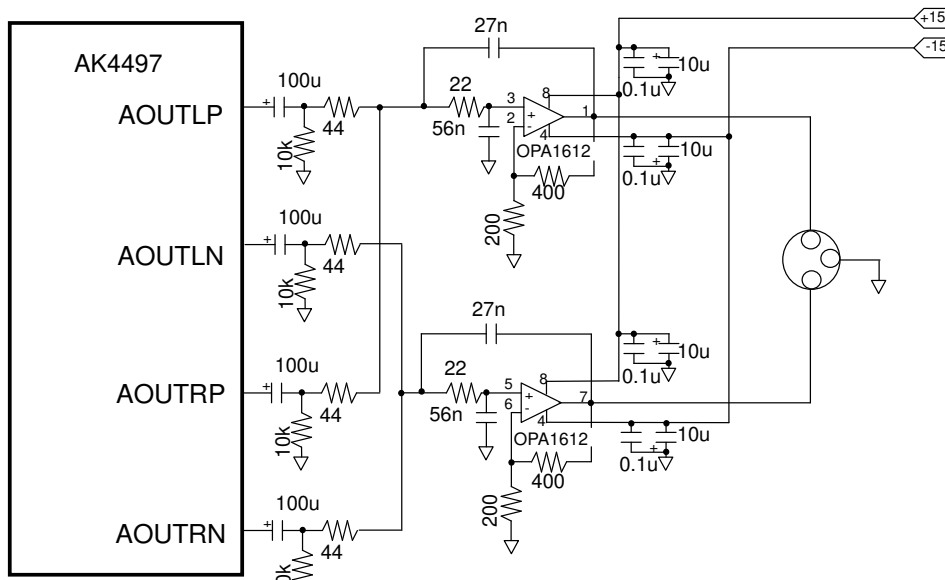
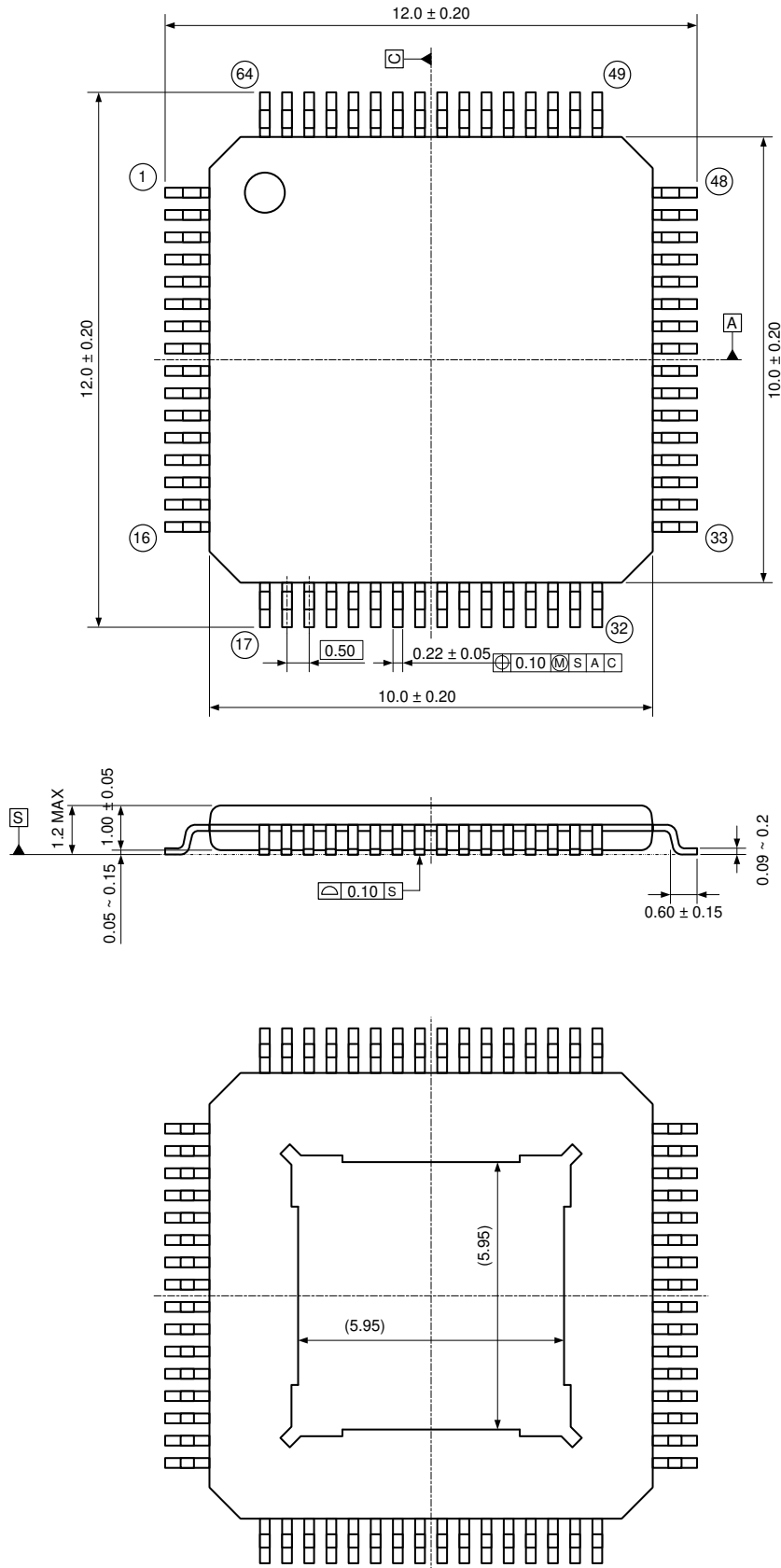


Figure 81. External LPF Circuit Example for mono mode ($f_c = 186\text{kHz}(\text{typ})$, $Q=0.67(\text{typ})$)

11. Package

■Outline Dimensions
(HTQFP10×10-64)



■ Material & Lead Finish

Package molding compound: Epoxy, Halogen (bromine and chlorine) free
Lead frame material: EFTEC64
Pin surface treatment: Solder (Pb free) plate

■ Marking

- 1) Pin #1 indication
- 2) AKM Logo
- 3) Date Code: XXXXXXX (7 digits)
- 4) Marking Code: AK4497EQ
- 5) Audio 4 pro Logo

12. Ordering Guide

■ **Ordering Guide**

AK4497EQ -40 ~ +85°C (Assuming the exposed pad is connected to the printing board)
 64-pin TQFP (0.5mm pitch)
 AKD4497 Evaluation Board for AK4497

13. Revision History

Date (Y/M/D)	Revision	Reason	Page	Contents
16/05/16	00	First Edition		
17/04/13	00	Error correction	18	Short Delay Sharp Roll-Off Filter Characteristics (fs = 96kHz) Frequency Response: 0 ~ 40.0kHz Min: "-6.0" → "-0.6"
20/09/24	01	Spec change	25	<ul style="list-style-type: none"> ■ Switching Characteristics LRCK Clock Timing Normal Mode (TDM[1:0] bits = "00") fso; typ 384 → Min 216, Max 388 fsh; typ 768 → Min 388, Max 776
		Spec change	26	<ul style="list-style-type: none"> ■ Switching Characteristics LRCK Clock Timing Normal Mode (TDM[1:0] bits = "00") fsd; Min 88.2 → 87 fsq; Min 176.4 → 174 fso; typ 384 → Min 348, Max 388 fsh; typ 768 → Min 696, Max 776 TDM128 mode (TDM[1:0] bits = "01") fsd; Min 88.2 → 87 fsq; Min 176.4 → 174 TDM256 mode (TDM[1:0] bits = "10") fsd; Min 88.2 → 87
		Description change	33	<ul style="list-style-type: none"> ■ Timing Diagram Figure 19 was changed
		Description added	81-82	Precautions when using the 3-wire serial interface added.

IMPORTANT NOTICE

0. Asahi Kasei Microdevices Corporation ("AKM") reserves the right to make changes to the information contained in this document without notice. When you consider any use or application of AKM product stipulated in this document ("Product"), please make inquiries the sales office of AKM or authorized distributors as to current status of the Products.
1. All information included in this document are provided only to illustrate the operation and application examples of AKM Products. AKM neither makes warranties or representations with respect to the accuracy or completeness of the information contained in this document nor grants any license to any intellectual property rights or any other rights of AKM or any third party with respect to the information in this document. You are fully responsible for use of such information contained in this document in your product design or applications. AKM ASSUMES NO LIABILITY FOR ANY LOSSES INCURRED BY YOU OR THIRD PARTIES ARISING FROM THE USE OF SUCH INFORMATION IN YOUR PRODUCT DESIGN OR APPLICATIONS.
2. The Product is neither intended nor warranted for use in equipment or systems that require extraordinarily high levels of quality and/or reliability and/or a malfunction or failure of which may cause loss of human life, bodily injury, serious property damage or serious public impact, including but not limited to, equipment used in nuclear facilities, equipment used in the aerospace industry, medical equipment, equipment used for automobiles, trains, ships and other transportation, traffic signaling equipment, equipment used to control combustions or explosions, safety devices, elevators and escalators, devices related to electric power, and equipment used in finance-related fields. Do not use Product for the above use unless specifically agreed by AKM in writing.
3. Though AKM works continually to improve the Product's quality and reliability, you are responsible for complying with safety standards and for providing adequate designs and safeguards for your hardware, software and systems which minimize risk and avoid situations in which a malfunction or failure of the Product could cause loss of human life, bodily injury or damage to property, including data loss or corruption.
4. Do not use or otherwise make available the Product or related technology or any information contained in this document for any military purposes, including without limitation, for the design, development, use, stockpiling or manufacturing of nuclear, chemical, or biological weapons or missile technology products (mass destruction weapons). When exporting the Products or related technology or any information contained in this document, you should comply with the applicable export control laws and regulations and follow the procedures required by such laws and regulations. The Products and related technology may not be used for or incorporated into any products or systems whose manufacture, use, or sale is prohibited under any applicable domestic or foreign laws or regulations.
5. Please contact AKM sales representative for details as to environmental matters such as the RoHS compatibility of the Product. Please use the Product in compliance with all applicable laws and regulations that regulate the inclusion or use of controlled substances, including without limitation, the EU RoHS Directive. AKM assumes no liability for damages or losses occurring as a result of noncompliance with applicable laws and regulations.
6. Resale of the Product with provisions different from the statement and/or technical features set forth in this document shall immediately void any warranty granted by AKM for the Product and shall not create or extend in any manner whatsoever, any liability of AKM.
7. This document may not be reproduced or duplicated, in any form, in whole or in part, without prior written consent of AKM.