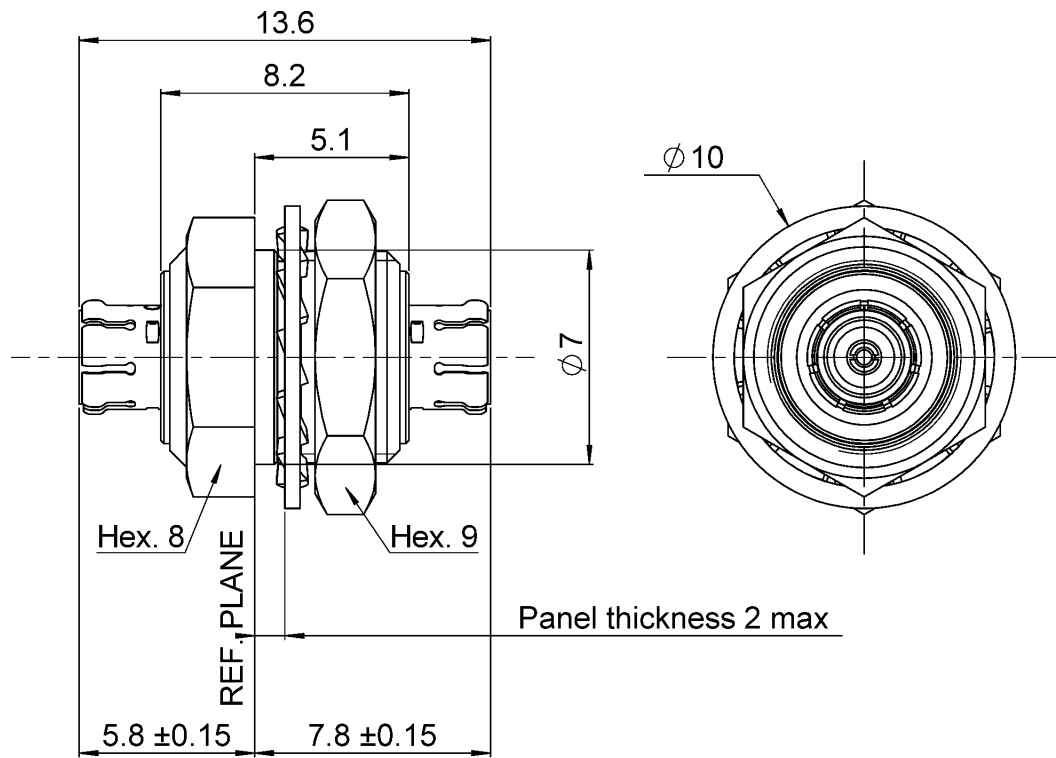
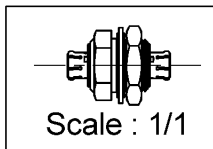
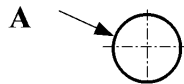


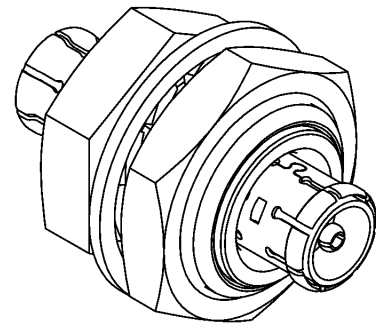
PAGE 1/2	ISSUE 25-01-16D	SERIES MMBX	PART NUMBER R223720020
----------	-----------------	-------------	------------------------



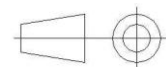
PANEL CUT OUT



	mm	
	Maxi	mini
A	7.27	7.13



All dimensions are in mm.



COMPONENTS	MATERIALS	PLATING (µm)
Body	BRASS, BERYLLIUM COPPER	NPGR
Center contact	BERYLLIUM COPPER	GOLD OVER NICKEL
Outer contact	-	-
Insulator	PTFE+LCP	-
Gasket	-	-
Others parts	BRASS	NPGR
-	-	-
-	-	-

PAGE 2/2	ISSUE 25-01-16D	SERIES MMBX	PART NUMBER R223720020
----------	------------------------	--------------------	-------------------------------

PACKAGING

Standard	Unit	Other
100	Contact us	Contact us

ELECTRICAL CHARACTERISTICS

Impedance		50	Ω
Frequency		0-12.4	GHz
VSWR	TBD	+	0.0000 x F(GHz) Maxi
Insertion loss		NA	\sqrt{F} (GHz) dB Maxi
RF leakage	- (NA	- F(GHz)) dB Maxi
Voltage rating		500	Veff Maxi
Dielectric withstanding voltage		1000	Veff mini
Insulation resistance		1000	M Ω mini

MECHANICAL CHARACTERISTICS

Center contact retention			
Axial force – Mating End		10	N mini
Axial force – Opposite end		10	N mini
Torque		NA	N.cm mini
Recommended torque			
Mating		NA	N.cm
Panel nut		60	N.cm
Mating life		100	Cycles mini
Weight		2.8000	g

ENVIRONMENTAL

Operating temperature	-55 +155	$^{\circ}\text{C}$
Hermetic seal	NA	Atm.cm3/s
Panel leakage	NA	

SPECIFICATION

09D86565W Rev03 -

OTHER CHARACTERISTICS

Assembly instruction:

Others:
to 6 GHz