

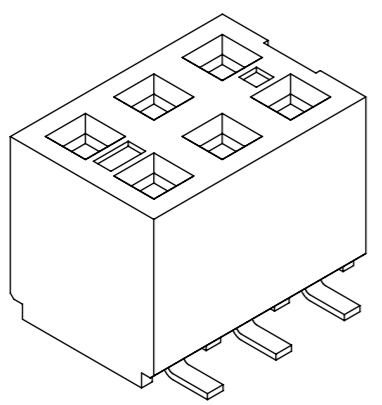
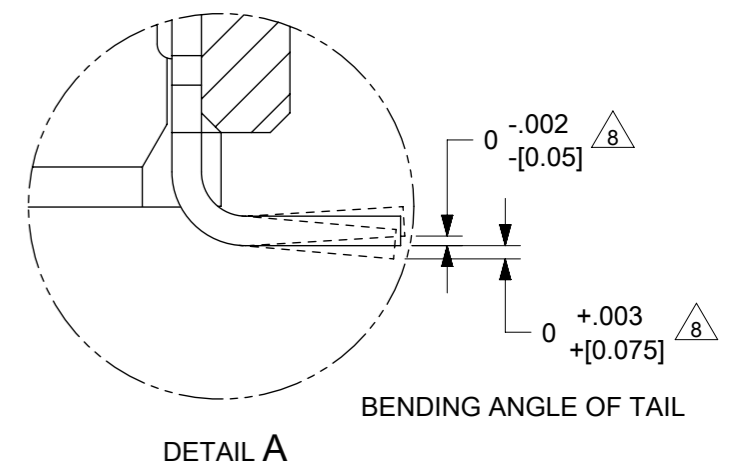
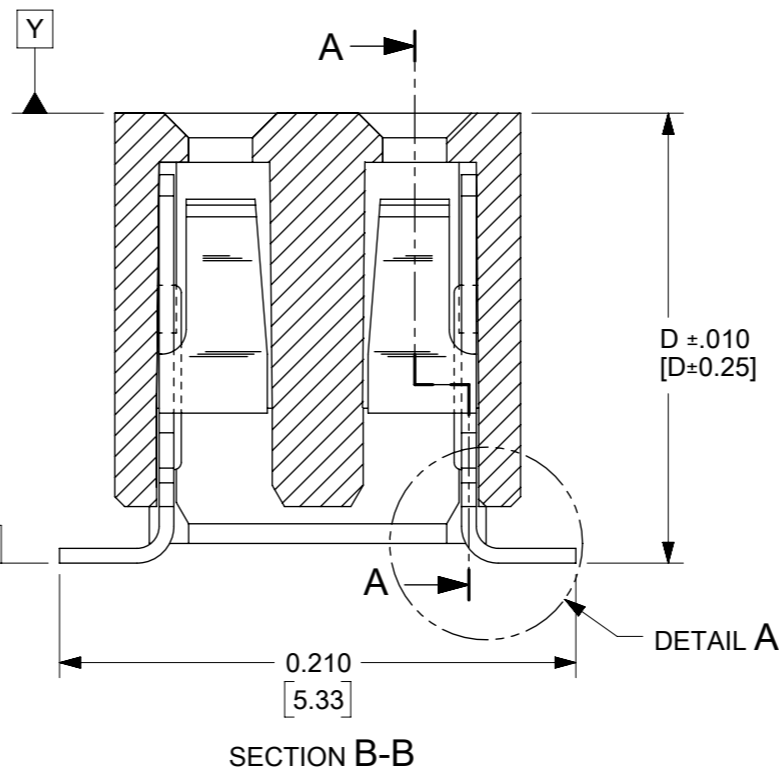
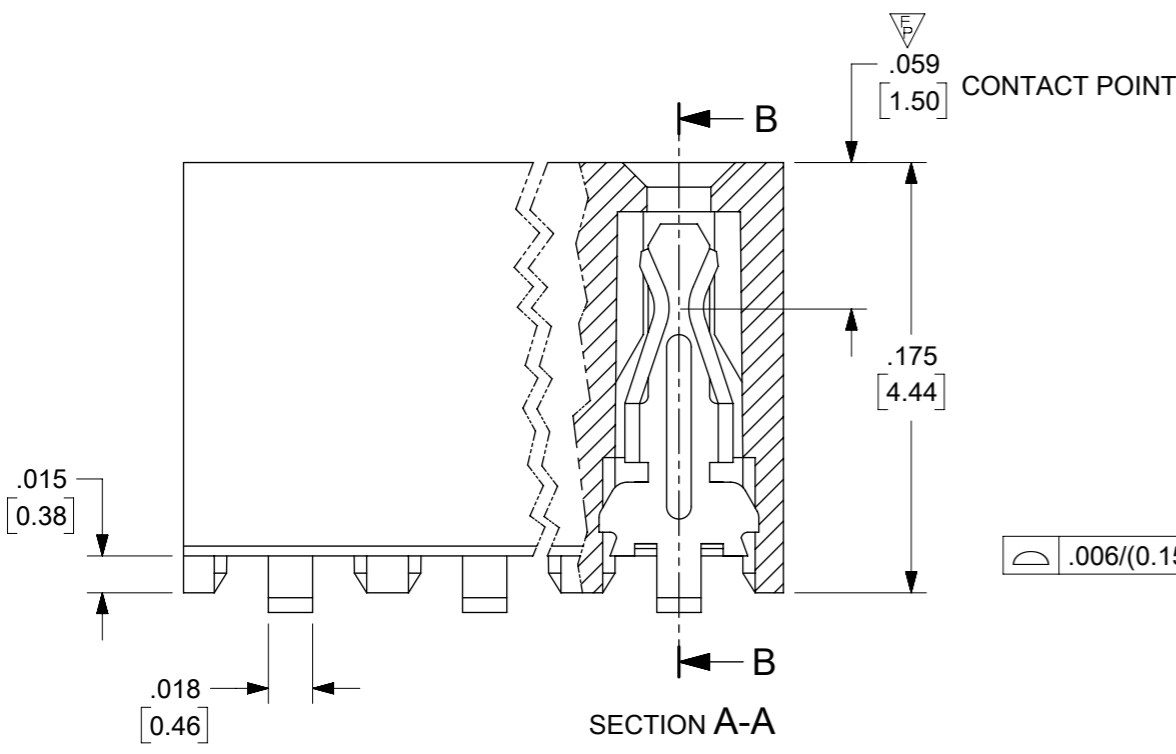
RECOMMENDED PCB PAD LAYOUT

NOTES:

- HOUSING MATERIAL:  
LCP, GLASS FILLED, UL 94V-0  
COLOUR BLACK.
- TERMINAL MATERIAL:  
PHOSPHOR BRONZE
- SEE APPROPRIATE SHEET FOR CIRCUIT SIZE,  
PART NUMBERS AND OVERALL DIMENSIONS.
- 6 CKT WITHOUT CAP ASSY IS SHOWN FOR ILLUSTRATION ONLY.
- REFER TO PRODUCT SPEC PS-79107.
- TAPE PACKAGING PER PK-70873-0259
- CKT LOCATIONS ARE NUMBERED FROM LEFT TO  
RIGHT WHEN VIEWING ASSY FROM TOP WITH  
THE GATE RECESS ON THE RIGHT AS SHOWN.
- MEASUREMENT IS TAKEN BETWEEN THE TANGENT OF  
THE TOE TO TIP OF THE TERMINAL.

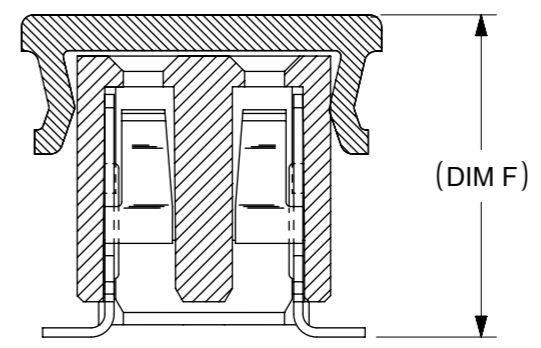
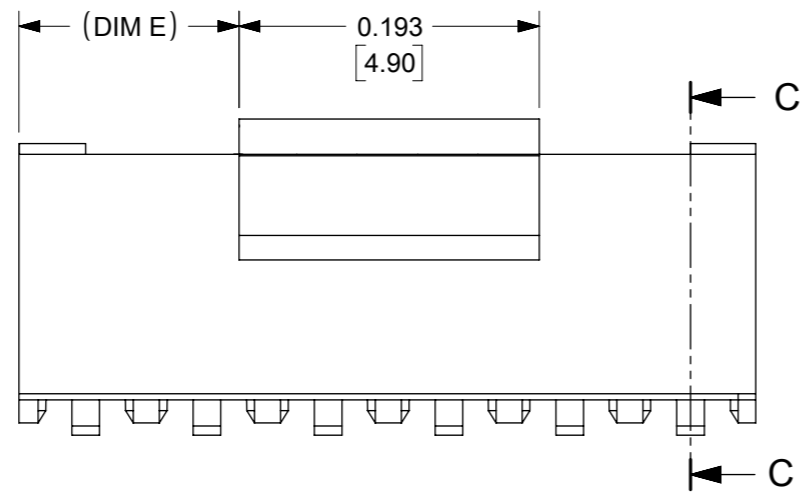
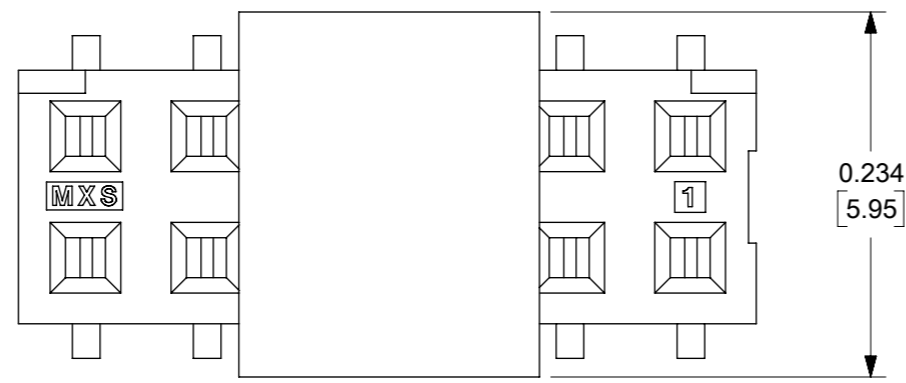
PLATING OPTION:

- 30µ" (0.75µm) MIN. GOLD PLATE IN SELECTED AREA AND  
75µ" (1.88µm) MIN. TIN PLATE IN SELECTED AREA OVER  
50µ" (1.25µm) MIN. NICKEL OVERALL.
- 15µ" (0.38µm) MIN. GOLD PLATE IN SELECTED AREA AND  
75µ" (1.88µm) MIN. TIN PLATE IN SELECTED AREA OVER  
50µ" (1.25µm) MIN. NICKEL OVERALL.
- 5µ" (0.13µm) MIN. GOLD PLATE IN SELECTED AREA AND  
75µ" (1.88µm) MIN. TIN PLATE IN SELECTED AREA OVER  
50µ" (1.25µm) MIN. NICKEL OVERALL.

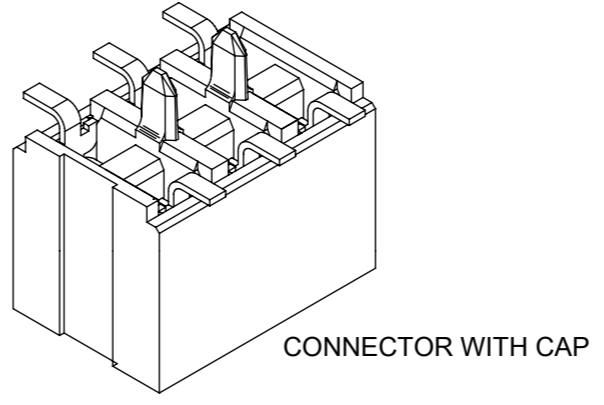
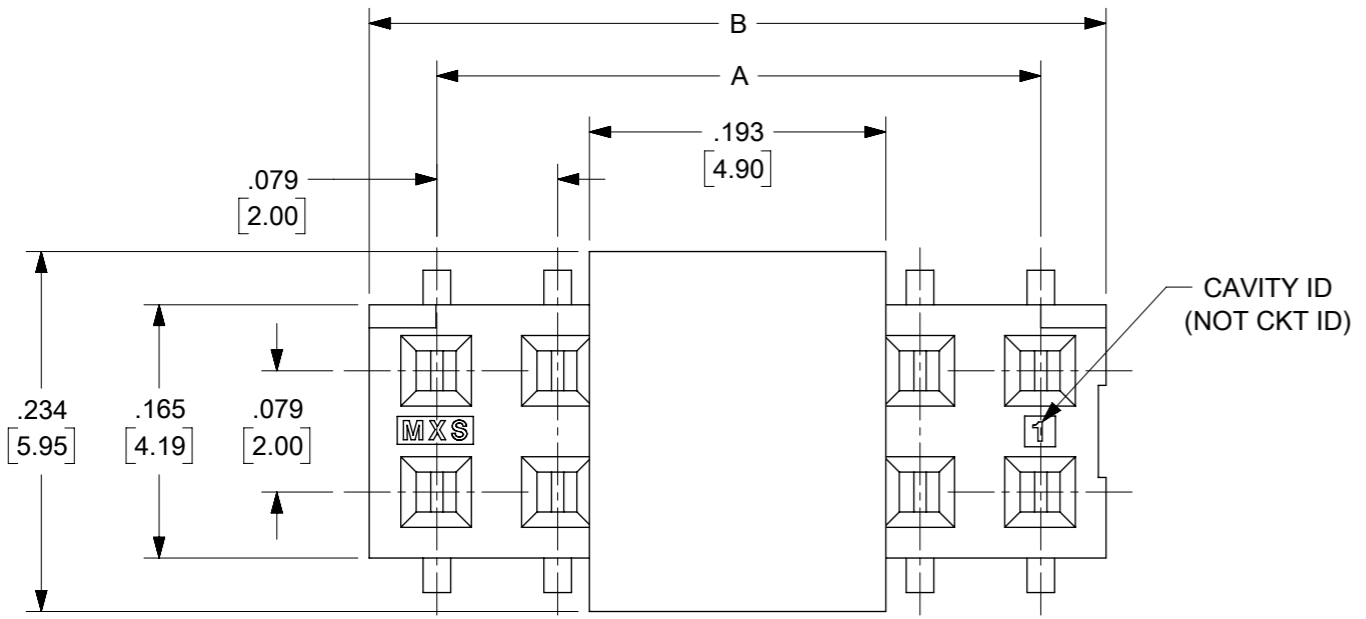


SYMBOLS	THIS DRAWING CONTAINS INFORMATION THAT IS PROPRIETARY TO MOLEX ELECTRONIC TECHNOLOGIES, LLC AND SHOULD NOT BE USED WITHOUT WRITTEN PERMISSION		CURRENT REV DESC:		<b>molex</b>
	mm	NTS			
▽ = 0	GENERAL TOLERANCES (UNLESS SPECIFIED)				2MM DUAL ROW VERTICAL RECEPTACLE, SMT
▽ = 0					
▽ = 0					PRODUCT CUSTOMER DRAWING
▽ = 0					
▽ = 0					DOCUMENT NUMBER <b>SD-79109-006</b>
▽ = 0					
▽ = 0					DOC TYPE PSD
▽ = 0					
▽ = 0					DOC PART 001
▽ = 0					
▽ = 0					REVISION A11
▽ = 0					
▽ = 0					SHEET NUMBER 1 OF 5
▽ = 0					
▽ = 0					GENERAL MARKET
▽ = 0					
▽ = 0					1
▽ = 0					
▽ = 0					2
▽ = 0					
▽ = 0					3
▽ = 0					
▽ = 0					4
▽ = 0					
▽ = 0					5
▽ = 0					
▽ = 0					6
▽ = 0					
▽ = 0					7
▽ = 0					
▽ = 0					8
▽ = 0					
▽ = 0					9
▽ = 0					
▽ = 0					10
▽ = 0					

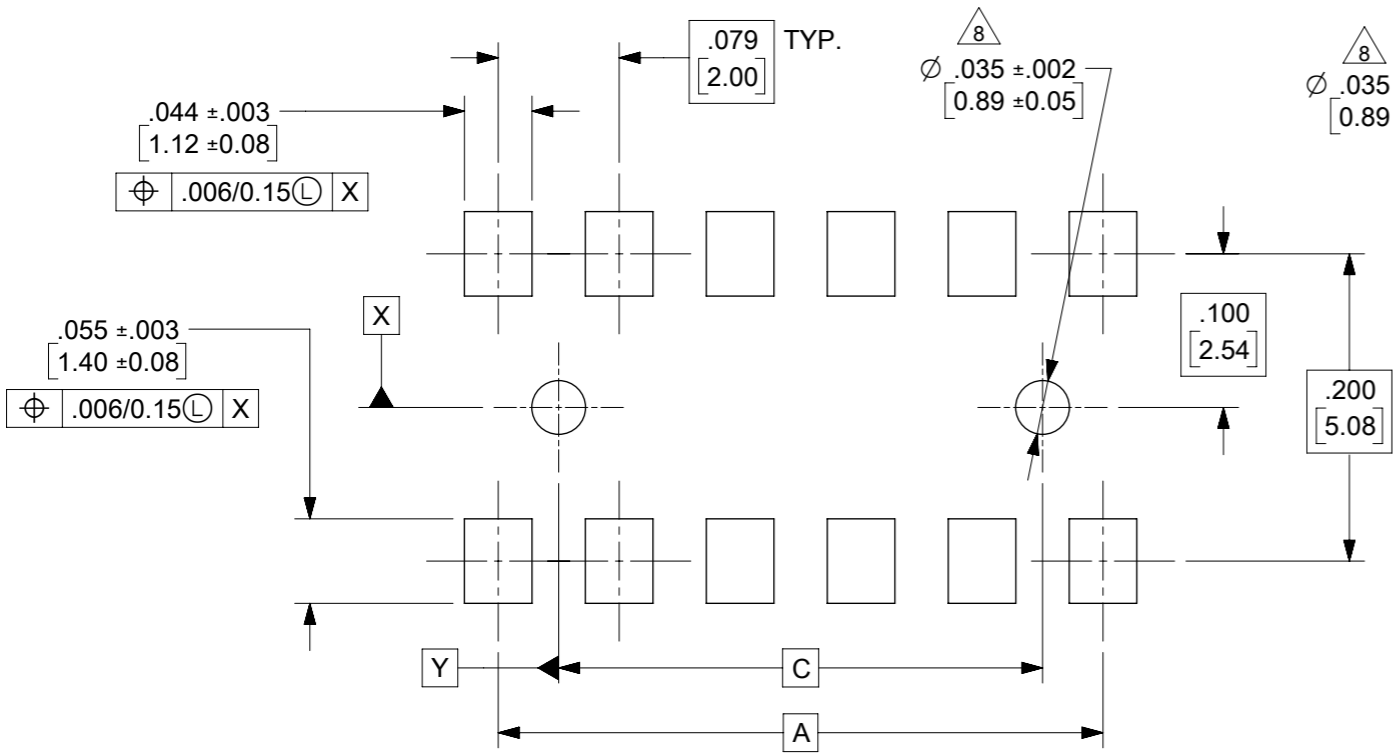
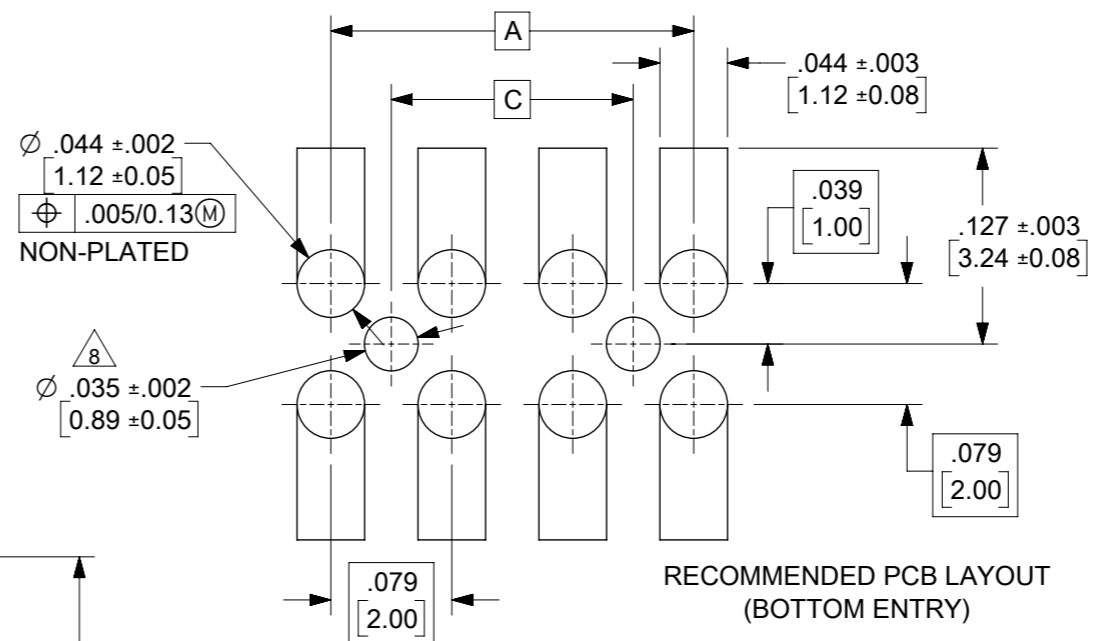
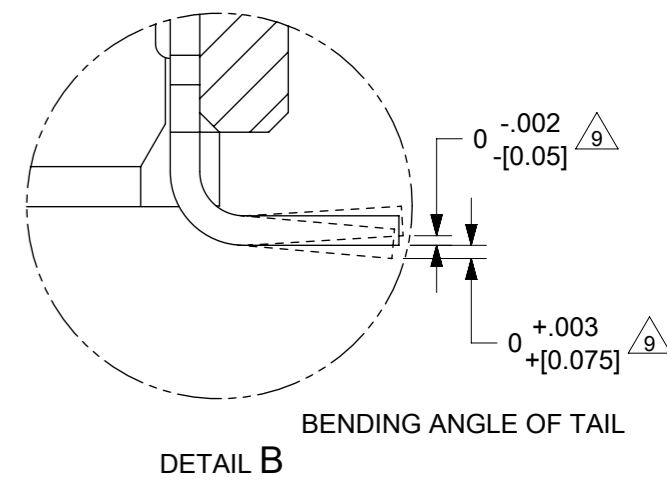
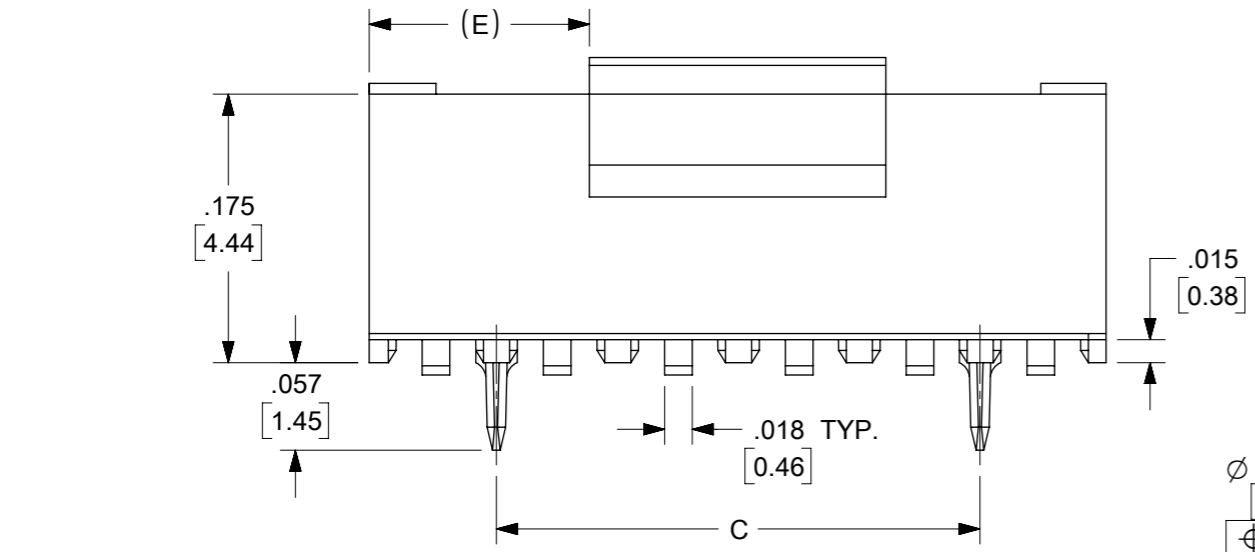
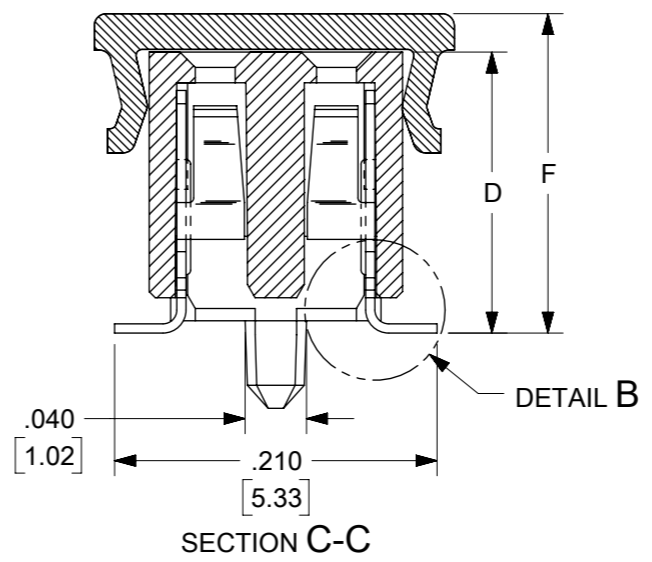
CKT. SIZE	DIM A		DIM B		DIM C		DIM D		DIM E		DIM F		ITEM No.	PLATING OPTION SEE SHEET 1
	INCH	MM	INCH	MM	INCH	MM	INCH	MM	INCH	MM	INCH	MM		
4	.079	(2.00)	.165	(4.19)	-	-	.183	(4.65)	-	-	.207	(5.25)	79109-9104	1
													79109-9504	2
8	.236	(6.00)	.322	(8.19)	-	-	.183	(4.65)	.065	(1.65)			79109-9208	2
10	.315	(8.00)	.401	(10.19)	-	-	.183	(4.65)	.104	(2.65)			79109-9210	2
12	.394	(10.00)	.480	(12.19)	-	-	.183	(4.65)	.144	(3.65)			79109-9212	2
14	.472	(12.00)	.559	(14.19)	-	-	.183	(4.65)	.183	(4.65)			79109-9214	2



SYMBOLS	THIS DRAWING CONTAINS INFORMATION THAT IS PROPRIETARY TO MOLEX ELECTRONIC TECHNOLOGIES, LLC AND SHOULD NOT BE USED WITHOUT WRITTEN PERMISSION		CURRENT REV DESC:		<b>molex</b>				
	DIMENSION UNITS	SCALE					EC NO: 716564	DRWN: DANUSA 2022/08/02	DOC TYPE
▽ = 0	mm	NTS	DRWN: DANUSA 2022/08/03	PRODUCT CUSTOMER DRAWING					
▽ = 0	GENERAL TOLERANCES (UNLESS SPECIFIED)		CHK'D: DANUSA 2022/08/03						
▽ = 0			APPR: MRAMAKRISHNA 2022/08/03	DOCUMENT NUMBER			DOC TYPE	DOC PART	REVISION
▽ = 0			INITIAL REVISION:						
▽ = 0	4 PLACES ±		DRWN: DRWN BY	XXXX/XX/XX	SD-79109-006		PSD	001	A11
▽ = 0	3 PLACES ±	± 0.01	APPR: APPR BY	XXXX/XX/XX					
▽ = 0	2 PLACES ±	± 0.25 ± 0.015	THIRD ANGLE PROJECTION		DRAWING	SERIES	MATERIAL NUMBER	CUSTOMER	SHEET NUMBER
▽ = 0	1 PLACE ±	± 0.38 ±	DRAFT WHERE APPLICABLE MUST REMAIN WITHIN DIMENSIONS		A3-SIZE	79109		GENERAL MARKET	2 OF 5
▽ = 0	0 PLACES ±		ANGULAR TOL ± 3.0°						



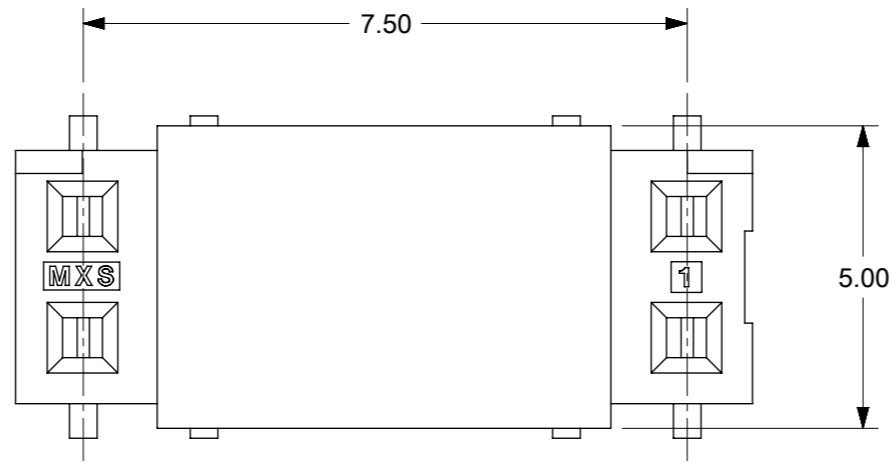
- NOTES:
- HOUSING MATERIAL : GLASS FILLED HIGH TEMP. THERMOPLASTIC. COLOR: BLACK.
  - TERMINAL MATERIAL: PHOSPHOR BRONZE
  - SEE APPROPRIATE SHEET FOR CIRCUIT SIZE, PART NUMBERS AND OVER-ALL DIMENSIONS.
  - FOR ILLUSTRATION, 6 & 12 CIRCUIT ASSEMBLY SHOWN.
  - REFER TO PRODUCT SPECIFICATION PS-79107.
  - TAPE PACKAGING PER PK-70873-0259.
  - SEE PSX-79107 FOR SUGGESTED BOTTOM ENTRY PIN LENGTHS.
  - .035 DIA. FOR PRESS FIT ONLY. USE .039±0.002 FOR ALIGNMENT PURPOSES ON PICK AND PLACE.
- △ MEASUREMENT IS TAKEN BETWEEN THE TANGENT OF THE TOE TO TIP OF THE TERMINAL.



SYMBOLS		THIS DRAWING CONTAINS INFORMATION THAT IS PROPRIETARY TO MOLEX ELECTRONIC TECHNOLOGIES, LLC AND SHOULD NOT BE USED WITHOUT WRITTEN PERMISSION		CURRENT REV DESC:		<b>molex</b>	
▽ = 0	mm	SCALE		EC NO: 716564			
▽ = 0	NTS	GENERAL TOLERANCES (UNLESS SPECIFIED)		DRWN: DANUSA 2022/08/02		2MM DUAL ROW VERTICAL RECEPTACLE, SMT	
▽ = 0	4 PLACES ±	MM	INCH	CHK'D: DANUSA 2022/08/03		PRODUCT CUSTOMER DRAWING	
▽ = 0	3 PLACES ±	± 0.01		APPR: MRAMAKRISHNA 2022/08/03		DOCUMENT NUMBER	
▽ = 0	2 PLACES ±	± 0.25	± 0.015	INITIAL REVISION:		SD-79109-006	
▽ = 0	1 PLACE ±	0.38		DRWN: DRWN BY XXXX/XX/XX		DOC TYPE	
▽ = 0	0 PLACES ±			APPR: APPR BY XXXX/XX/XX		DOC PART	
▽ = 0	ANGULAR TOL	± 3.0°		MATERIAL NUMBER		REVISION	
▽ = 0	DRAFT WHERE APPLICABLE MUST REMAIN WITHIN DIMENSIONS	THIRD ANGLE PROJECTION		DRAWING		SHEET NUMBER	
▽ = 0		A3-SIZE		SERIES		GENERAL MARKET	
		79109		CUSTOMER		3 OF 5	

**PARTS WITH PEG**

CKT. SIZE	DIM A		DIM B		DIM C		DIM D		DIM E		DIM F		ITEM No.	ASSEMBLY P/N WITH KAPTON TAPE	PLATING OPTION SEE SHEET 1
	INCH	MM	INCH	MM	INCH	MM	INCH	MM	INCH	MM	INCH	MM			
A11 6	.157	(4.00)	.164	(4.19)	.078	(2.00)		(4.65)	--	--	.207	(5.25)	79109-8625	-	2
8	.236	(6.00)	.322	(8.19)	.157	(4.00)	.183	(4.65)	.065	(1.65)			79109-9108	-	1
10	.315	(8.00)	.401	(10.19)	.236	(6.00)	.183	(4.65)	.104	(2.65)			79109-9110	-	2
18	.630	(16.00)	.716	(18.19)	.551	(14.00)	.183	(4.65)	.262	(6.65)			79109-9118	79109-9318	1
26	.945	(24.00)	1.03	(26.19)	.866	(22.00)	.183	(4.65)	.419	(10.64)			79109-9126	-	2



12CKT WITH KAPTON TAPE ILLUSTRATION

SYMBOLS	THIS DRAWING CONTAINS INFORMATION THAT IS PROPRIETARY TO MOLEX ELECTRONIC TECHNOLOGIES, LLC AND SHOULD NOT BE USED WITHOUT WRITTEN PERMISSION											
	DIMENSION UNITS		SCALE		CURRENT REV DESC:							
▽ = 0	mm	NTS		EC NO: 716564 DRWN: DANUSA 2022/08/02 CHK'D: DANUSA 2022/08/03 APPR: MRAMAKRISHNA 2022/08/03						2MM DUAL ROW VERTICAL RECEPTACLE, SMT		
▽ = 0	GENERAL TOLERANCES (UNLESS SPECIFIED)											
▽ = 0			MM	INCH	DOCUMENT NUMBER: SD-79109-006 DOC TYPE: PSD DOC PART: 001 REVISION: A11							
▽ = 0	4 PLACES	±		±							MATERIAL NUMBER: 79109 CUSTOMER: GENERAL MARKET SHEET NUMBER: 4 OF 5	
▽ = 0	3 PLACES	±		± 0.01	DRAFT WHERE APPLICABLE MUST REMAIN WITHIN DIMENSIONS							
▽ = 0	2 PLACES	±	0.25	± 0.015							THIRD ANGLE PROJECTION	
▽ = 0	1 PLACE	±	0.38	±	DRAWING: A3-SIZE SERIES: 79109							
▽ = 0	0 PLACES	±		±							DATE: 2018/01/11	
▽ = 0	ANGULAR TOL		± 3.0°		DOCUMENT STATUS: P1 RELEASE DATE: 2022/08/03 09:02:57							
▽ = 0	DRAFT WHERE APPLICABLE MUST REMAIN WITHIN DIMENSIONS										REVISION: D DATE: 2018/01/11	

# BOARD TO BOARD (BTB) DISTANCE

RECEPTACLE	MATES WITH(HEADER)	BTB DISTANCE	PICTORIAL VIEW
79109	87831	7.15	
	87832	8.35	
	151117	7.15	
	151118	8.35	

SYMBOLS	THIS DRAWING CONTAINS INFORMATION THAT IS PROPRIETARY TO MOLEX ELECTRONIC TECHNOLOGIES, LLC AND SHOULD NOT BE USED WITHOUT WRITTEN PERMISSION			CURRENT REV DESC:			<b>molex</b>			
	DIMENSION UNITS		SCALE							EC NO: 716564
	mm		NTS	DRWN: DANUSA 2022/08/02			VERTICAL RECEPTACLE, SMT			
	GENERAL TOLERANCES (UNLESS SPECIFIED)			CHK'D: DANUSA 2022/08/03			PRODUCT CUSTOMER DRAWING			
MM		INCH	APPR: MRAMAKRISHNA 2022/08/03			DOCUMENT NUMBER				
▽ = 0	4 PLACES ±	±	INITIAL REVISION:			SD-79109-006		DOC TYPE	DOC PART	REVISION
▽ = 0	3 PLACES ±	± 0.01	DRWN: DRWN BY XXXX/XX/XX			PSD		001	A11	
▽ = 0	2 PLACES ±	± 0.015	APPR: APPR BY XXXX/XX/XX			MATERIAL NUMBER		CUSTOMER		SHEET NUMBER
▽ = 0	1 PLACE ±	± 0.38	DRAFT WHERE APPLICABLE MUST REMAIN WITHIN DIMENSIONS			79109		GENERAL MARKET		5 OF 5
⊠ = 0	ANGULAR TOL ± 3.0°		THIRD ANGLE PROJECTION		DRAWING	SERIES	CUSTOMER		SHEET NUMBER	
▽ = 0					A3-SIZE	79109	GENERAL MARKET		5 OF 5	