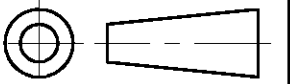


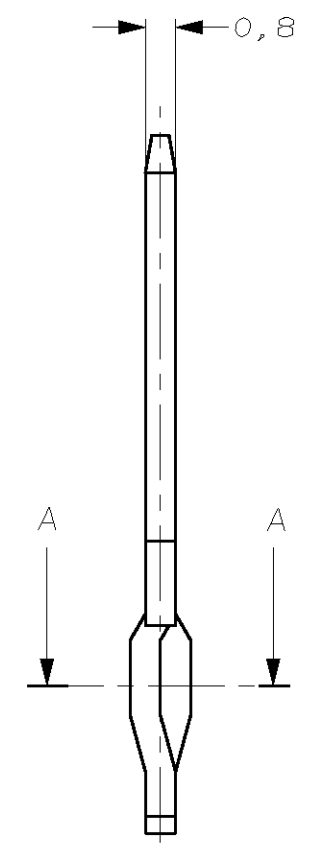
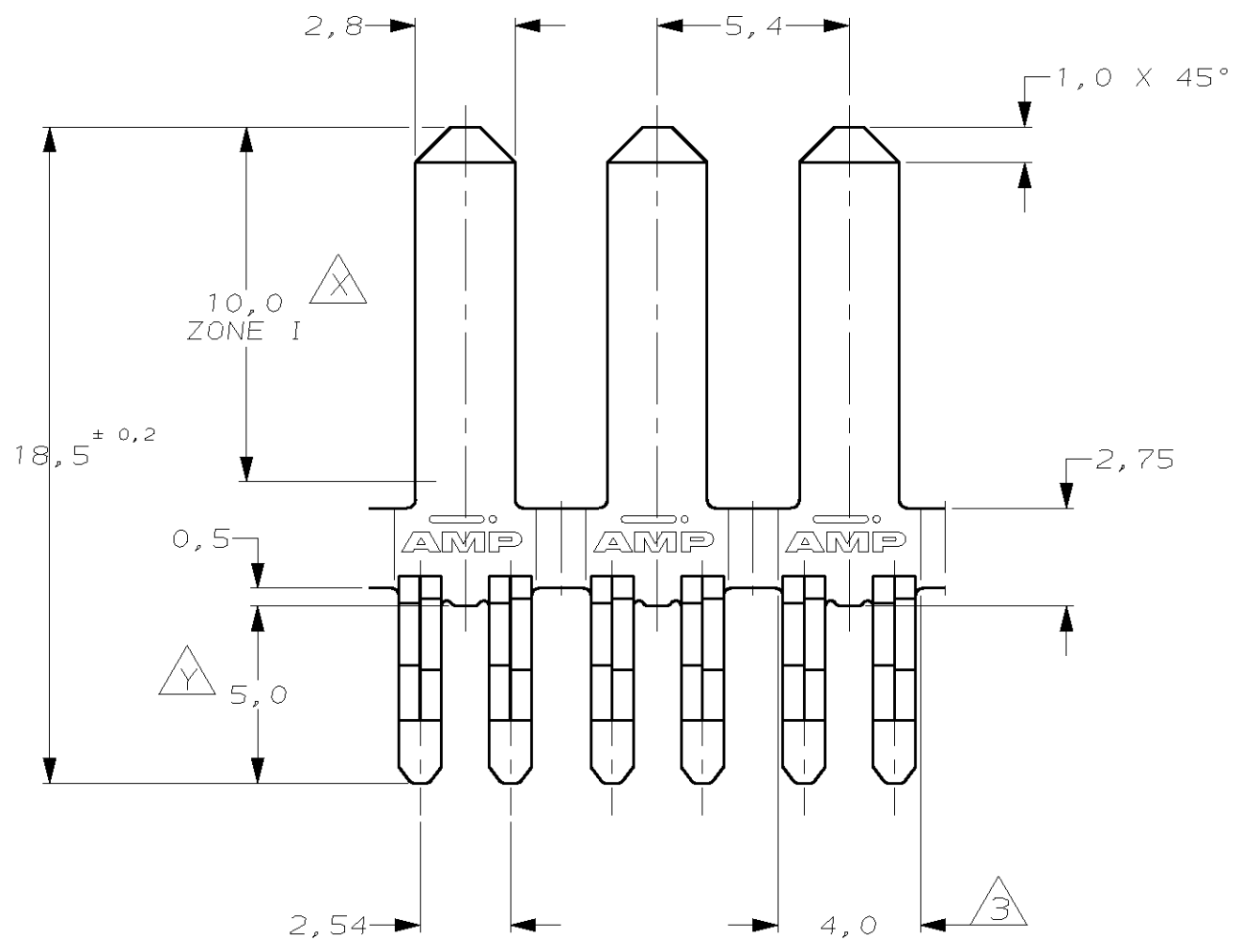
DO NOT SCALE
DIMENSIONS IN mm

METRIC

THIRD ANGLE
PROJECTION

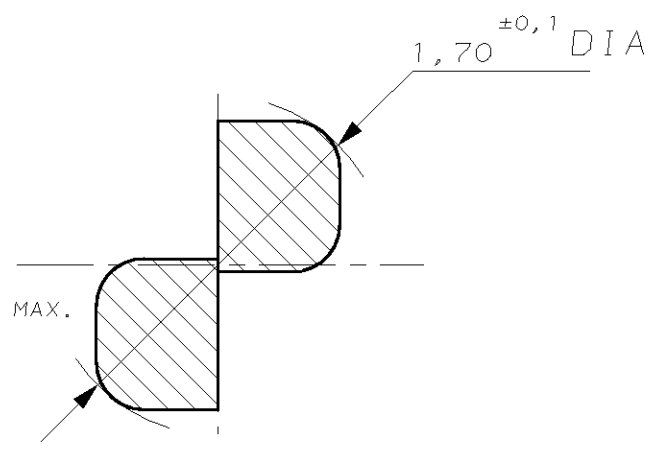


P.C.B. HOLE DIM. ACTION PIN		
DRILLED HOLE	:1,6 ±0,025	mm
FIN. HOLE	:1,39 ±0,15	mm
AFTER REFLOW	:1,37 ±0,15	mm
Cu-thks	:0,025 to 0,075	mm
Sn-thks	:0,004 to 0,010	mm



NOTES:

- ① PHOSPHORBRONZE
- ② 2,54-5,00 μm Sn over
1,25-2,00 μm Nickel
- ③ CUT OFF WIDTH.
- ④ PLATING: UNDERLAYER; 1,25μm-2,00μm NICKEL
ZONE X; 3μm Ag MIN.
ZONE Y; 2,54μm-5,00μm Sn



SECTION A-A
SCALE 5:1

				④	①	1483313-3
				②	①	1483313-2
				FINISH	MATERIAL	PARTNUMBER
				CUSTOMER DRAWING FOR REFERENCE ONLY WILL NOT BE UPDATED		
				© COPYRIGHT 19- BY AMP HOLLAND B.V. ALL INTERNATIONAL RIGHTS RESERVED. AMP PRODUCTS MAY BE COVERED BY U.S. AND FOREIGN AND/OR PATENTS PENDING.		
				THIS DRAWING IS UNPUBLISHED RELEASED FOR PUBLICATION ,19		
B1	EG00-2298-03	Abr	C.G.	02-07-03	tyco Electronics	tyco NEDERLAND B.V. s-Hertogenbosch, The Netherlands.
B	EH00-0806-01	RvH	A.B	19-07-01		
A	EH-0711-01	RvH	A.B	25-06-01		
LTR. REVISION RECORD		DR.	CHK.	DATE	NAME 2,8x0,8mm TAB WITH ACTION PIN (FOR 1,6-3,2mm PCB THK'S)	
DR.:	RvHEUVEN	CHK.:	A. BIJNEN	APP.:	A. BIJNEN	DWG.No. C-1483313
DATE:	19-07-01	DATE:	19-07-01	DATE:	19-07-01	REV.LTR. SHEET B1 1 OF 1 A3