

DO NOT SCALE FROM THIS PRINT

DESIGNED & DIMENSIONED IN METRIC [INCHES]

IMSC5-XX-XX-XX-L

POWER POSITIONS
*-01, -02, *-03, *-04
SIGNAL POSITIONS
-16: (4 x 4)
-24: (4 x 6)

POWER POSITIONS
*-00, *-01, -02

* = NOT TOOLED

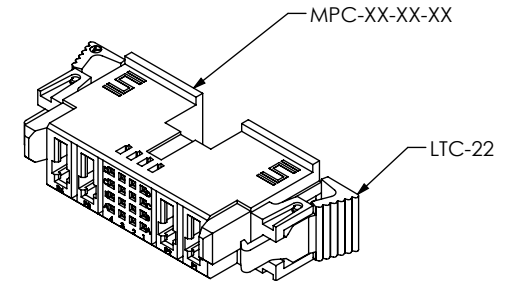
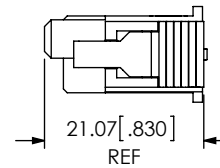
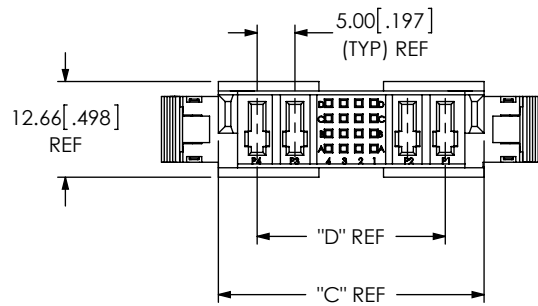
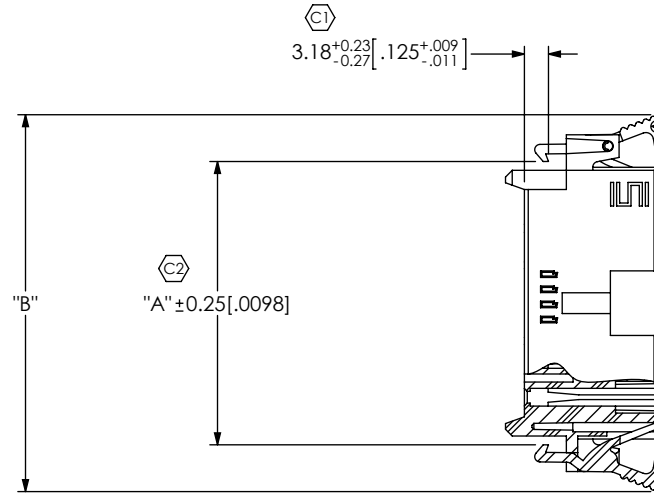


FIG 1
IMSC5-02-T6-02-L SHOWN

TABLE 1					
PART NUMBER	"A"	"B"	"C"	"D"	
IMSC5-02-16-02	37.69 [1.48]	49.98 [1.97]	35.15 [1.38]	24.89 [0.98]	
IMSC5-02-24-02	41.69 [1.64]	53.98 [2.13]	39.15 [1.54]	28.89 [1.14]	

NOTES:

1. Ⓢ REPRESENTS A CRITICAL DIMENSION.
2. MINIMUM LATCH RETENTION: 4.4 N [1 LB].
3. PARTS TO BE BULK PACKAGED.

UNLESS OTHERWISE SPECIFIED, DIMENSIONS ARE IN MILLIMETERS. TOLERANCES ARE:
DECIMALS ANGLES
X.X: ±0.1 2°
X.XX: ±0.13
X.XXX: ±0.051

PROPRIETARY NOTE

THIS DOCUMENT CONTAINS INFORMATION CONFIDENTIAL AND PROPRIETARY TO SAMTEC, INC. AND SHALL NOT BE REPRODUCED OR TRANSFERRED TO OTHER DOCUMENTS OR DISCLOSED TO OTHERS OR USED FOR ANY PURPOSE OTHER THAN THAT WHICH IT WAS OBTAINED WITHOUT THE EXPRESSED WRITTEN CONSENT OF SAMTEC, INC.

samtec

520 PARK EAST BLVD., NEW ALBANY, IN 47150
PHONE: 812-944-6733 FAX: 812-948-5047
e-Mail: info@SAMTEC.com code 55322

DO NOT SCALE DRAWING SHEET SCALE: 1:1

MATERIAL:
INSULATOR: LCP, COLOR: BLACK
LATCH: NYLON BLACK

DESCRIPTION: MPC POWER COMBO W/ LATCH

DWG. NO. IMSC5-XX-XX-XX-L

BY: KYLE B 1/29/2014 SHEET 1 OF 1