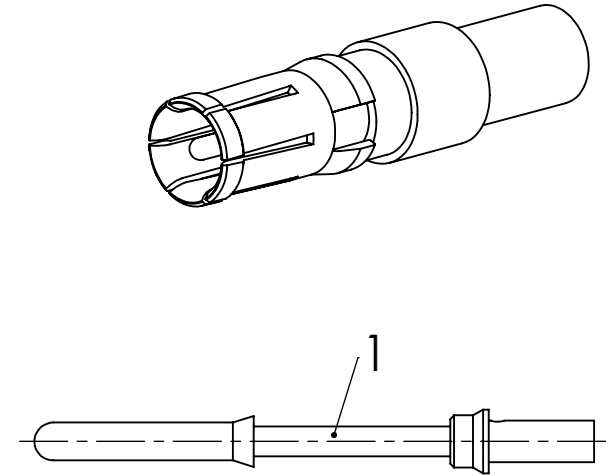
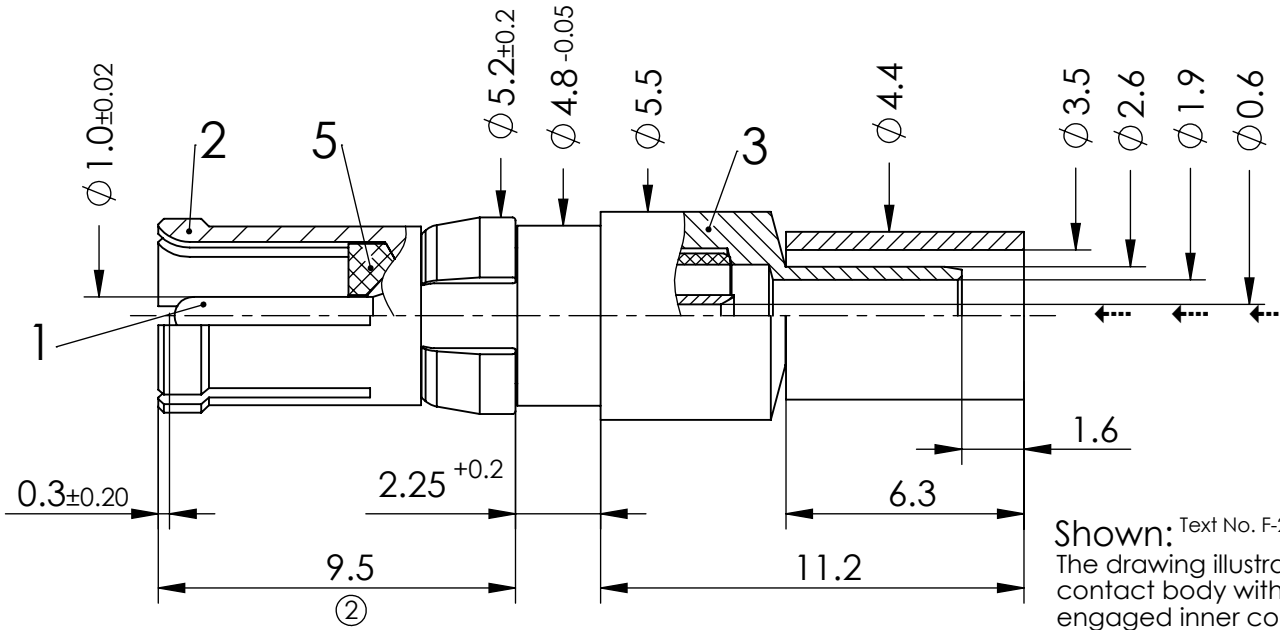
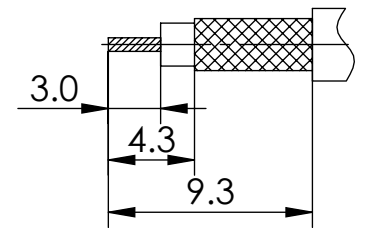


COMMENT:
 ALL RIGHTS ARE RESERVED BY US FOR THIS DRAWING. WITHOUT OUR PRIOR CONSENT,
 IT MAY NEITHER BE DUPLICATED NOR MADE AVAILABLE TO A THIRD PARTY,
 AND IT ALSO MAY NOT BE IMPROPERLY USED BY THE RECEIVER, OR A THIRD PARTY.



Shown: Text No. F-2
 The drawing illustrates a contact body with an engaged inner conductor

Cable trimming dimensions (3:1)



Text No. W-1
FCT tools:

Crimping of inner conductor:

Hand tool: M22520/2-01
 Locator: K1003

Pneumatic crimp tool: WA22
 Locator: K1003

Cable:
 AWG24 / SEL. 5
 AWG26 / SEL. 5
 AWG28 / SEL. 4
 AWG30 / SEL. 3


Text No. W-2
FCT tools:

Crimping of outer conductor:

Hand tool: M22520/5-01
 Die: Y138P cavity B

Pneumatic crimp tool: HX23
 (replacement for PH4001) ③

Extraction tool: DRK38

IMPEDANCE		50 Ohm	COAXIAL CONTACT	SCALE 5:1	CABLE RG316U double braided
FOR		D-SUB			
DIMENSIONS IN MM		DRAWN	NAME / DATE erappenglitz 26-02-2002		DATA SHEET
MATERIAL + FINISH SEE EXTRA SHEET		CHECKED	MTeubel 23-10-2012		
UNLESS OTHERWISE SPECIFIED DIMENSIONS FOR REFERENCE ONLY		 www.fctgroup.com		PART NO. FMS006S	REV. 3
3	16-10-2012				23305
REV.	DATE	INDEX	ORIGINAL: DIN A4-DRAWING AS A FILE		