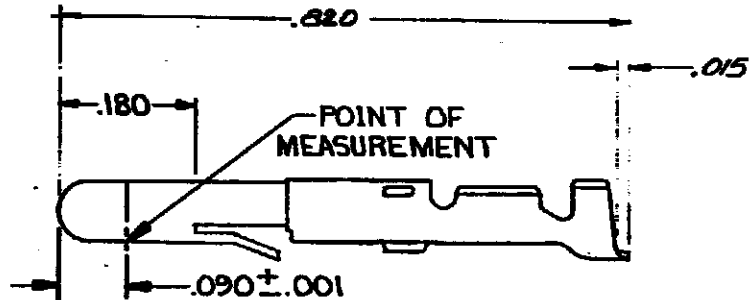


NUMBER 61174



1. FOR ADDITIONAL INFORMATION SEE DWG. 350079.
  2. THIS TERMINAL TO BE SUPPLIED IN INDIVIDUAL FORM, NOT AS CONTINUOUS STRIP.
- ⚠ .000030 GOLD INSIDE WIRE BARREL + ON TIP OF PIN; REMAINDER OF CONTACT IS NICKEL PLATED.

PART NO.	WIRE SIZE	INSULATION RANGE	MATERIAL & FINISH
61174-1	#30-#22	.040-.075 or (2) .040 MAX	.012 BRASS TIN
61174-5	#30-#22	.040-.075 or (2) .040 MAX	.012 BRASS GOLD ⚠

DIMENSIONS IN INCHES. DO NOT SCALE PRINT.

© 1967 BY AMP INCORPORATED. ALL RIGHTS RESERVED. AMP PRODUCTS COVERED BY PATENTS AND/OR PATENTS PENDING.					<b>CUSTOMER COPY REFERENCE ONLY</b>	
MATERIAL AND FINISH SEE TABLE					AMP INCORPORATED HARRISBURG, PENNSA	
H	REV PER CM-754	PKC	RS	3-17-68	CLASS _____ X _____	
G	OBS. -4 PER CM-891	PKC	1B	1-2-67	WIRE — RANGE — INSULATION TYPE _____ X _____	
F	OBS. -7 PER CM-761	PKC	1B	1-2-67	TOLERANCE EXCEPT AS NOTED = 1" 0' 4X1	
LTR	REVISION RECORD	DR	CHK	DATE	LOC	NO
DR	J.R. KUNKLE	DE			CP	A 61174
CHK	10/16/67	APP		7/3/67	NAME	RFV
					LOOSE PIECE MATE-N-LOK PIN	