

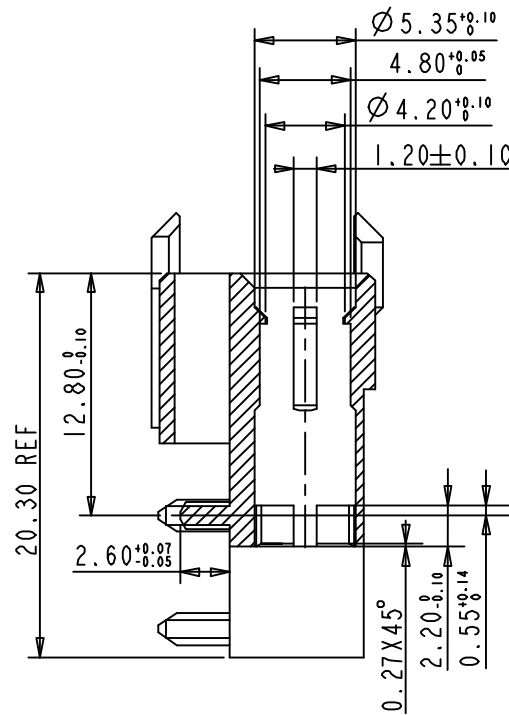
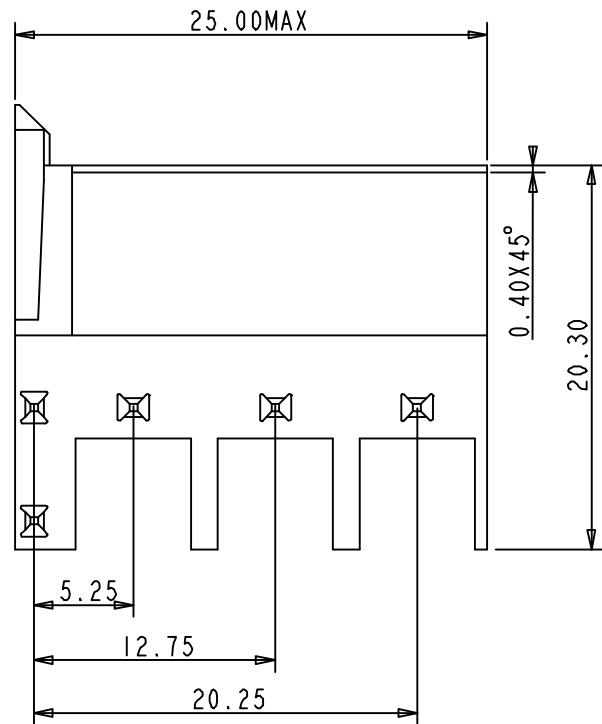
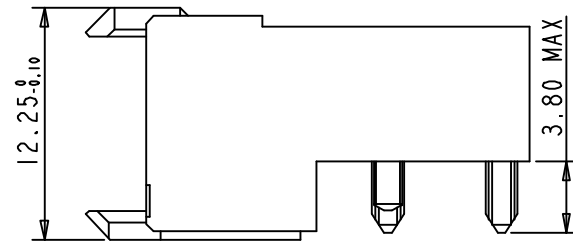
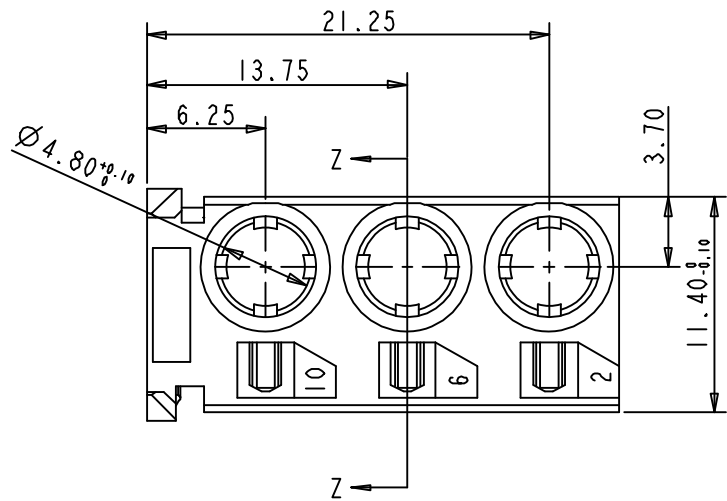


FCIconnect.com

Copyright FCI

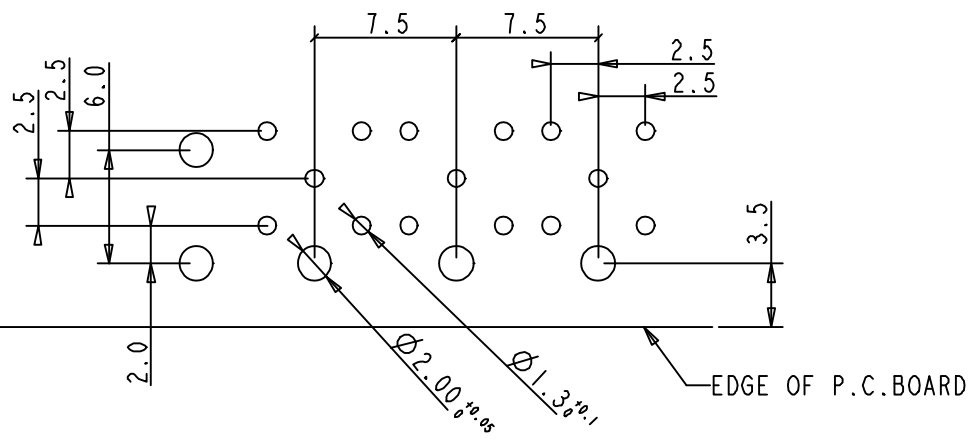
D

form: A3



NOTES

1. THIS PRODUCT IS CSA APPROVED.
2. THIS PRODUCT IS UL RECOGNIZED.
3. THIS PRODUCT MEETS EUROPEAN UNION DIRECTIVES AND OTHER COUNTRY REGULATIONS AS DESCRIBED IN GS-47-0004
4. THE HOUSING WILL WITHSTAND EXPOSURE TO 260°C PEAK TEMPERATURE FOR 30 SECONDS IN A WAVE SOLDER APPLICATION WITH A 1.6MM MINIMUM THICK CIRCUIT BOARD.



LAY-OUT
P.C.B -HOLE

CATALOG NO: HM2R06P1LF

mat'l. code		surface	tolerance	projection	product family
		ISO 1302	ISO 406 ISO 1101		MILLIPACS
ltr	ecn no	dr	date	tolerances unless otherwise specified	title
A	CONVERSION REVISION 06	KN	14-09-01	angles	MILLIPACS 2/FEMALE BODY/STYLE N
B	DG05-0333	Kason	16-09-05	linear	
C	ELX-I-17096	BINESH	03-03-14	0°±1°	scale -
D	ELX-I-17097	BINESH	04-03-14	dr	sheet 1 of 1
		engr	W.PANIS	1992-07-04	size A3
		chr			type Product Customer Drawing
		appd			
sheet index	revision sheet	D	1		



1

2

3

4

5

6