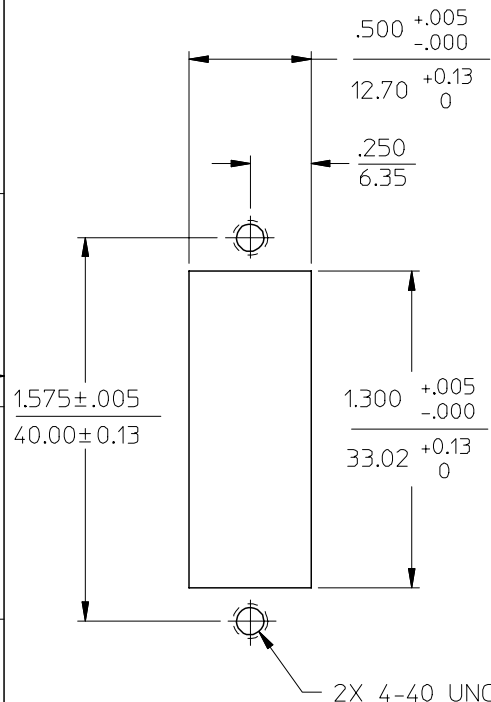
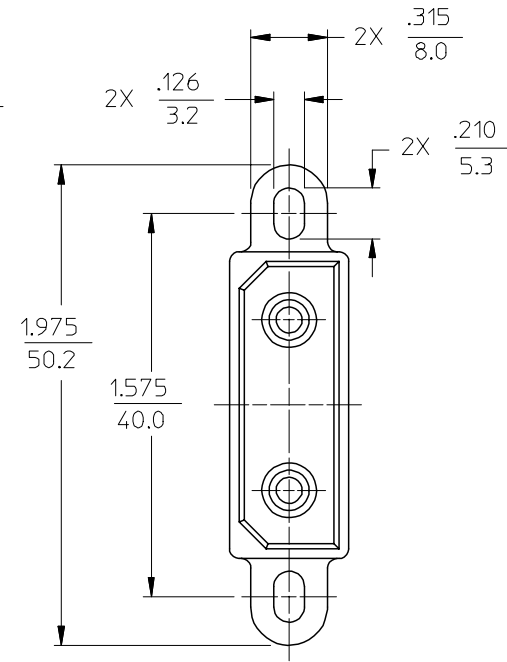
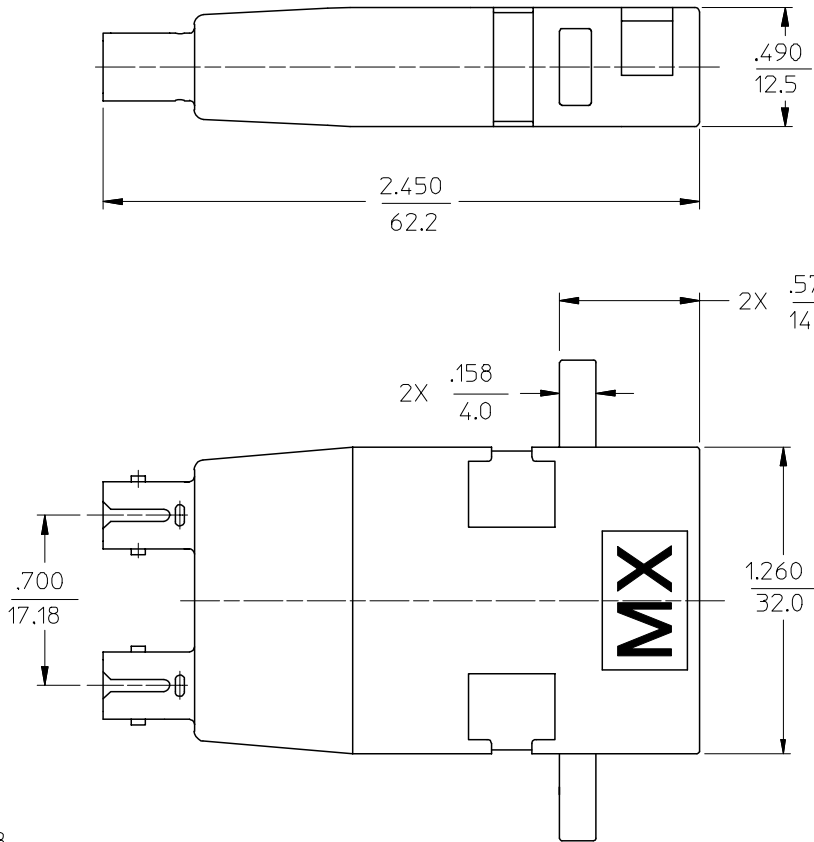


10	9	8	7	6	5	4	3	2	1
P/N of ADAPTER	MATERIAL of SLEEVE	COLOR of DUST CAP & DUST COVER							
106140-0300	CERAMIC	BLACK							
106143-0300	PLASTIC	RED							



RECOMMENDED MOUNTING HOLE

NOTES:  
1. ALL DIMENSIONS ARE FOR REFERENCE ONLY EXCEPT THOSE ON MOUNTING HOLE.



ENTER DESCRIPTION EC NO: MF2006-0283 DRWN:PGIBLIN 2005/11/28 CHKD: 2005/11/28 APPR:IGUMIN 2005/11/28 A	QUALITY SYMBOLS ▽=0 ▽=0	GENERAL TOLERANCES (UNLESS SPECIFIED)		DIMENSION STYLE	SCALE	DESIGN UNITS	THIRD ANGLE PROJECTION	
		mm	INCH	IN/MM	2:1	INCH		
		4 PLACES ± --- ± ---		DRAWN BY	DATE	TITLE		
		3 PLACES ± --- ± ---		PGIBLIN	2005/10/26	ST-ESCON ADAPTER (SCREW MOUNT)		
		2 PLACES ± --- ± ---		CHECKED BY	DATE	MOLEX INCORPORATED		
		1 PLACE ± --- ± ---		APPROVED BY	DATE	MATERIAL NO. DOCUMENT NO. SHEET NO.		
		ANGULAR ±1/2°		SEE TABLE		SD-10614X-0300		1 OF 01
		DRAFT WHERE APPLICABLE MUST REMAIN WITHIN DIMENSIONS		THIS DRAWING CONTAINS INFORMATION THAT IS PROPRIETARY TO MOLEX INCORPORATED AND SHOULD NOT BE USED WITHOUT WRITTEN PERMISSION				