

Customer Information Sheet

DRAWING No.: Z80-444 SHEET 2 OF 2

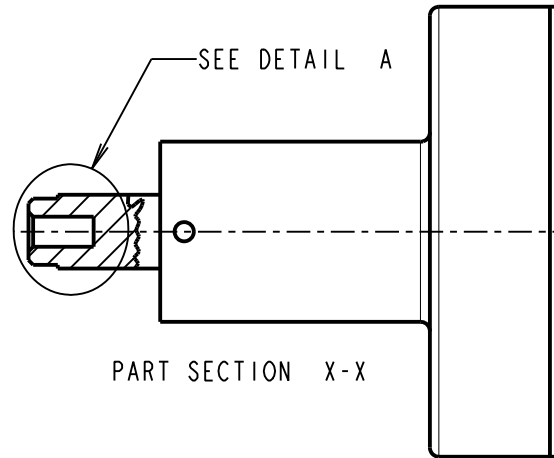
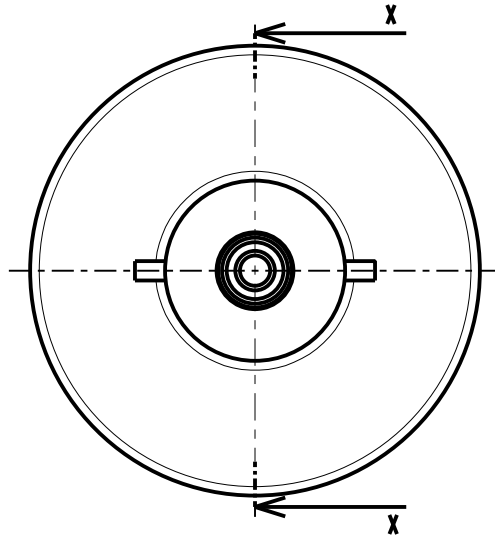
IF IN DOUBT - ASK

©

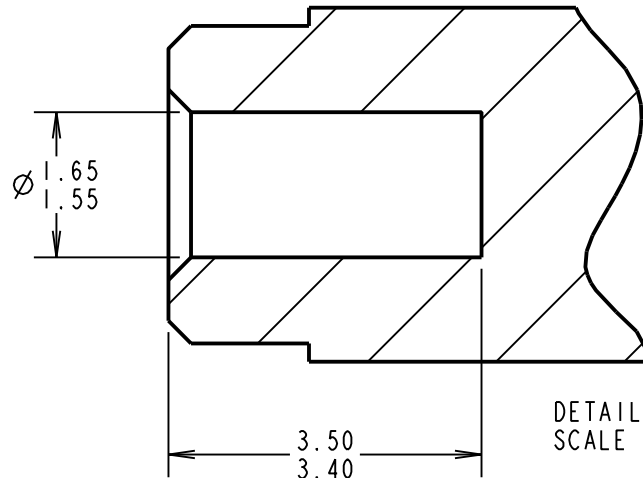
NOT TO SCALE

THIRD ANGLE PROJECTION

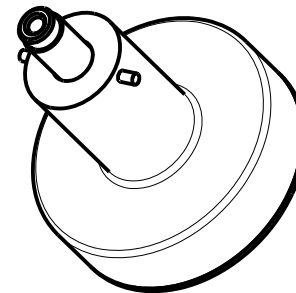
ALL DIMENSIONS IN mm



Z80-058 DATAPLATE



DETAIL A
SCALE 12



- NOTES:
1. INSTRUCTION SHEETS ARE AVAILABLE FOR THIS TOOL. REFER TO INSTRUCTION SHEET IS-01.
 2. FOR USE WITH M80-20600XX CRIMP T-CONTACT.

MSP	1	07.04.17	-----
NAME	ISS.	DATE	C/NOTE
APPROVED:		M. PERREN	
CHECKED:		S. FLOWER	
DRAWN:		M. PERREN	
CUSTOMER REF.:			
ASSEMBLY DRG:			

HARWIN

www.harwin.com
technical@harwin.com

THIS DRAWING AND ANY INFORMATION OR DESCRIPTIVE MATTER SET OUT HEREON ARE CONFIDENTIAL AND COPYRIGHT PROPERTY OF THE HARWIN GROUP AND MUST NOT BE DISCLOSED, LOANED, COPIED OR USED FOR MANUFACTURING, TENDERING OR FOR ANY OTHER PURPOSE WITHOUT THEIR WRITTEN PERMISSION.

TOLERANCES
 X. = ±1mm
 X.X = ±0.25mm
 X.XX = ±0.10mm
 X.XXX = ±0.01mm
 ANGLES = ±5°
 UNLESS STATED

MATERIAL:

FINISH: CLEAN

S/AREA: mm²

TITLE: T-CONTACT CRIMP POSITIONER

DRAWING NUMBER:

Z80-444

SHT
2
OF
2