

6

5

4

3

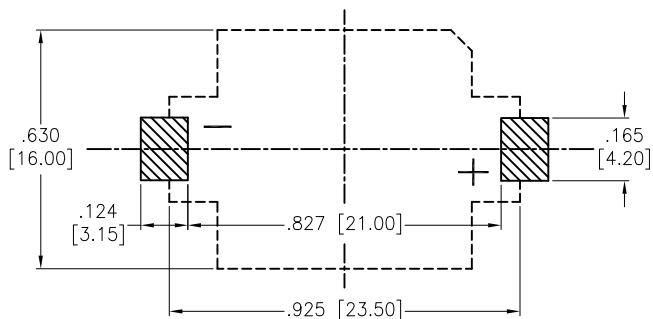
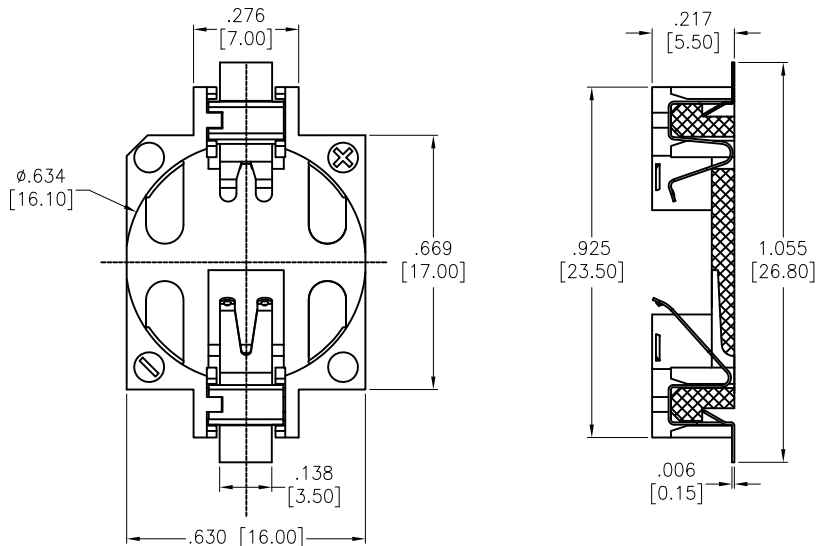
2

1

APPROVED: \_\_\_\_\_

DATE: \_\_\_\_\_ TITLE: \_\_\_\_\_

Rev	AWO #	Description	Date	Appr
-		RELEASED	8/11/16	



SPECIFICATIONS:

Material:  
Housing: Hi-temp thermoplastic (LCP), rated UL94V-0, Color: White  
Contact: Phosphor Bronze, Tin plated  
Electrical:  
Contact resistance: 30 mohms max  
Insulation resistance: 1,000 Mohms min  
Dielectric Voltage: 750 VAC one sec level  
Temperature Rating:  
Operating temperature: -25°C to +85°C.  
Environmental:  
Lead free, RoHS compliant



UNLESS OTHERWISE SPECIFIED ALL DIMENSIONS ARE INCHES [MM] TOLERANCES: EXCEPT AS NOTED		
INCHES HOLES		
.X ± .10	Ø.X ± .10	
.XX ± .020	Ø.XX ± .015	
.XXX ± .015	Ø.XXX ± .010	
APPROVALS		DATE
DRAWN	HR	8/11/16
CHECKED	LW	8/11/16
APPROVED		

<b>ADAM TECH</b>		
909 Rahway Avenue, Union, NJ 07083 Phone: 908-687-5000 Fax: 908-687-5710		
TITLE BATTERY HOLDER, SURFACE MOUNT, FOR CR1632, WHITE COLOR		
SIZE X	PART NO. BH-90-5	REV. -
REF: S00136C	SCALE: NTS	SHEET 1 OF 1

6

5

4

3

2

1