

Bottom Port PDM Digital Output Multi-Mode Microphone

GENERAL DESCRIPTION

The ICS-51360 is a multi-mode, low noise digital MEMS microphone in a small package. The ICS-51360 consists of a MEMS microphone element and an impedance converter amplifier followed by a fourth-order Σ - Δ modulator. The digital interface allows the pulse density modulated (PDM) output of two microphones to be time multiplexed on a single data line using a single clock.

The ICS-51360 has multiple modes of operation: Low-Power (AlwaysOn), Standard and Sleep. The ICS-51360 has high SNR in all operational modes. It has 130 dB SPL AOP in Standard Mode and 120 dB SPL AOP in Low-Power mode.

The ICS-51360 is available in a standard 3.5 × 2.65 × 0.98 mm surface-mount package. It is reflow solder compatible with no sensitivity degradation.

APPLICATIONS

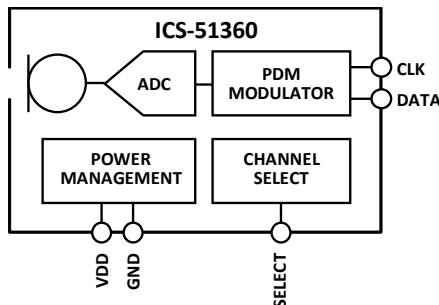
- Smartphones
- Microphone Arrays
- Tablet Computers
- Cameras

FEATURES

SPEC	STANDARD MODE		LOW-POWER MODE
Sensitivity	-36 dB FS \pm 1 dB	-36 dB FS \pm 1 dB	-26 dB FS \pm 1 dB
SNR	62 dBA	61 dBA	65 dBA
Current	590 μ A	510 μ A	230 μ A
AOP	130 dB SPL	130 dB SPL	120 dB SPL
Clock	2.4 MHz	1.536 MHz	768 kHz

- 3.5 × 2.65 × 0.98 mm surface-mount package
- Extended frequency response from 50 Hz to >20 kHz
- Sleep Mode: 12 μ A
- High power supply rejection (PSR): -98 dB FS
- Fourth-order Σ - Δ modulator
- Digital pulse density modulation (PDM) output
- Compatible with Sn/Pb and Pb-free solder processes
- RoHS/WEEE compliant

FUNCTIONAL BLOCK DIAGRAM



ORDERING INFORMATION

PART	TEMP RANGE	PACKAGING
ICS-51360	-40°C to +85°C	13" Tape and Reel

TABLE OF CONTENTS

General Description 1

Applications 1

Features 1

Functional Block Diagram 1

Ordering Information 1

Table of Contents 2

Specifications 4

 Table 1. Acoustical/Electrical Characteristics – General 4

 Table 2. Acoustical/Electrical Characteristics – Standard Mode (2.4 MHz) 4

 Table 3. Acoustical/Electrical Characteristics – Standard Mode (1.536 MHz) 5

 Table 4. Acoustical/Electrical Characteristics – Low-Power Mode 6

 Table 5. Digital Input/Output Characteristics 6

 Table 6. PDM Digital Input/Output 7

 Timing Diagram 7

Absolute Maximum Ratings 8

 Table 7. Absolute Maximum Ratings 8

 ESD Caution 8

 Soldering Profile 9

 Table 8. Recommended Soldering Profile* 9

Pin Configurations And Function Descriptions 10

 Table 9. Pin Function Descriptions 10

Typical Performance Characteristics 11

Theory Of Operation 12

 PDM Data Format 12

 Table 10. ICS-51360 Channel Setting 12

 PDM Microphone Sensitivity 12

Applications Information 14

 Low Power Mode 14

 Dynamic Range Considerations 14

 Connecting PDM Microphones 14

 Sleep Mode 16

 Start-Up Time 16

Supporting Documents 17

 Application Notes – General 17

PCB Design And Land Pattern Layout 18

 PCB Material And Thickness 18

Handling Instructions 19

Pick And Place Equipment	19
Reflow Solder	19
Board Wash.....	19
Outline Dimensions.....	20
Ordering Guide	20
Revision History	21
Compliance Declaration Disclaimer	22

SPECIFICATIONS

TABLE 1. ACOUSTICAL/ELECTRICAL CHARACTERISTICS – GENERAL

T_A = 25°C, V_{DD} = 1.8 to 3.3 V, SCK = 1.536 MHz, 32× decimation, C_{LOAD} = 30 pF unless otherwise noted. Typical specifications are not guaranteed.

PARAMETER	CONDITIONS	MIN	TYP	MAX	UNITS	NOTES
PERFORMANCE						
Directionality		Omni				
Output Polarity	Input acoustic pressure vs. output data	Non-Inverted				
Supply Voltage (V _{DD})		1.65		3.63	V	
Sleep Mode Current (I _s)	SCK < 200 kHz		12		μA	

TABLE 2. ACOUSTICAL/ELECTRICAL CHARACTERISTICS – STANDARD MODE (2.4 MHZ)

T_A = 25°C, V_{DD} = 1.8 to 3.3 V, SCK = 2.4 MHz, 50× decimation, C_{LOAD} = 30 pF unless otherwise noted. Typical specifications are not guaranteed.

PARAMETER	CONDITIONS	MIN	TYP	MAX	UNITS	NOTES
Sensitivity	1 kHz, 94 dB SPL	-37	-36	-35	dB FS	1
Signal-to-Noise Ratio (SNR)	20 kHz bandwidth, A-weighted		62		dB	
Equivalent Input Noise (EIN)	20 kHz bandwidth, A-weighted		32		dB SPL	
Acoustic Dynamic Range	Derived from EIN and acoustic overload point		98		dB	
Total Harmonic Distortion (THD)	94 dB SPL		0.2	1	%	
Power Supply Rejection (PSR)	217 Hz, 100 mV p-p square wave superimposed on V _{DD} = 1.8 V, A-weighted		-98		dB FS	
Power Supply Rejection—Swept Sine	1 kHz sine wave		-110		dB FS	
Acoustic Overload Point	10% THD		130		dB SPL	
Supply Current (I _s)	V _{DD} = 1.8 V, no load		590	650	μA	
	V _{DD} = 1.8 V, 19 pF load		670	730	μA	

Note 1: Sensitivity is relative to the RMS level of a sine wave with positive amplitude equal to 100% 1s density and negative amplitude equal to 0% 1s density.

Note 2: The additional current in the loaded condition is independent of the microphone and can be calculated by I_{LOAD} = C_{LOAD} × V_{DD} × f_{CLK}.

TABLE 3. ACOUSTICAL/ELECTRICAL CHARACTERISTICS – STANDARD MODE (1.536 MHZ)

T_A = 25°C, V_{DD} = 1.8 to 3.3 V, SCK = 1.536 MHz, 32× decimation, C_{LOAD} = 30 pF unless otherwise noted. Typical specifications are not guaranteed.

PARAMETER	CONDITIONS	MIN	TYP	MAX	UNITS	NOTES
Sensitivity	1 kHz, 94 dB SPL	-37	-36	-35	dB FS	1
Signal-to-Noise Ratio (SNR)	20 kHz bandwidth, A-weighted		61		dB	
Equivalent Input Noise (EIN)	20 kHz bandwidth, A-weighted		33		dB SPL	
Acoustic Dynamic Range	Derived from EIN and acoustic overload point		97		dB	
Total Harmonic Distortion (THD)	105 dBs SPL		0.2	1	%	
Power Supply Rejection (PSR)	217 Hz, 100 mV p-p square wave superimposed on V _{DD} = 1.8 V, A-weighted		-94		dB FS	
Power Supply Rejection—Swept Sine	1 kHz sine wave		-112		dB FS	
Acoustic Overload Point	10% THD		130		dB SPL	
Supply Current (I _s)	V _{DD} = 1.8 V, no load		510	570	μA	
	V _{DD} = 1.8 V, 19 pF load		560	620	μA	2

Note 1: Sensitivity is relative to the RMS level of a sine wave with positive amplitude equal to 100% 1s density and negative amplitude equal to 0% 1s density.

Note 2: The additional current in the loaded condition is independent of the microphone and can be calculated by $I_{LOAD} = C_{LOAD} \times V_{DD} \times f_{CLK}$.

TABLE 4. ACOUSTICAL/ELECTRICAL CHARACTERISTICS – LOW-POWER MODE

T_A = 25°C, V_{DD} = 1.8 to 3.3 V, SCK = 768 kHz, 48× decimation, C_{LOAD} = 30 pF unless otherwise noted. Typical specifications are not guaranteed.

PARAMETER	CONDITIONS	MIN	TYP	MAX	UNITS	NOTES
Sensitivity	1 kHz, 94 dB SPL	-27	-26	-25	dB FS	1
Signal-to-Noise Ratio (SNR)	8 kHz bandwidth, A-weighted		65		dB	
Equivalent Input Noise (EIN)	8 kHz bandwidth, A-weighted		29		dB SPL	
Acoustic Dynamic Range	Derived from EIN and acoustic overload point		91		dB	
Total Harmonic Distortion (THD)	105 dB SPL		0.2	1	%	
Power Supply Rejection (PSR)	217 Hz, 100 mV p-p square wave superimposed on V _{DD} = 1.8 V, A-weighted		-91		dB FS	
Power Supply Rejection—Swept Sine	1 kHz sine wave		-102		dB FS	
Acoustic Overload Point	10% THD		120		dB SPL	
Supply Current (I _s)	V _{DD} = 1.8 V, no load		230	255	μA	
	V _{DD} = 1.8 V, 19 pF load		255	280	μA	2

Note 1: Sensitivity is relative to the RMS level of a sine wave with positive amplitude equal to 100% 1s density and negative amplitude equal to 0% 1s density.

Note 2: The additional current in the loaded condition is independent of the microphone and can be calculated by I_{LOAD} = C_{LOAD} × V_{DD} × f_{CLK}.

TABLE 5. DIGITAL INPUT/OUTPUT CHARACTERISTICS

T_A = 25°C, 1.8 V < V_{DD} < 3.3 V, unless otherwise noted.

PARAMETER	CONDITIONS	MIN	TYP	MAX	UNITS	NOTES
Input Voltage High (V _{IH})		0.65 × V _{DD}			V	
Input Voltage Low (V _{IL})				0.35 × V _{DD}	V	
Output Voltage High (V _{OH})	I _{LOAD} = 0.5 mA	0.7 × V _{DD}	V _{DD}		V	
Output Voltage Low (V _{OL})	I _{LOAD} = 0.5 mA		0	0.3 × V _{DD}	V	
Output DC Offset	Percent of full scale		3		%	
Latency			<30		μs	

TABLE 6. PDM DIGITAL INPUT/OUTPUT

T_A = 25°C, 1.8 V < VDD < 3.3 V, unless otherwise noted.

PARAMETER	CONDITIONS	MIN	TYP	MAX	UNITS	NOTES
MODE SWITCHING						
Sleep Time	Time from f _{CLK} falling <200 kHz			60	ms	
Wake-Up Time	Standard mode, Sleep Mode to f _{CLK} >1 MHz, output within 1 dB of final sensitivity, power on			20	ms	
Wake-Up Time	Low-Power Mode, Sleep Mode to f _{CLK} >400 kHz, output within 1 dB of final sensitivity, power on			20	ms	
Switching time	Between Low-Power and Standard Modes			10	ms	
INPUT						
t _{CLKIN}	Input clock period	592		1447	ns	
Clock Frequency (CLK)	Sleep Mode			200	kHz	
	Low-Power Mode	690	768	800	kHz	
	Standard Mode	1.00	1.536	4.8	MHz	
Clock Duty Cycle	f _{CLK} < 2.65 MHz	40		60	%	
	f _{CLK} > 2.65 MHz	48		52	%	
t _{RISE}	CLK rise time (10% to 90% level)			40	ns	1
t _{FALL}	CLK fall time (90% to 10% level)			40	ns	1
OUTPUT						
t _{1OUTEN}	DATA1 (right) driven after falling clock edge	40			ns	
t _{1OUTDIS}	DATA1 (right) disabled after rising clock edge	10		23	ns	
t _{2OUTEN}	DATA2 (left) driven after rising clock edge	40			ns	
t _{2OUTDIS}	DATA2 (left) disabled after falling clock edge	10		23	ns	

Note 1: Guaranteed by design

TIMING DIAGRAM

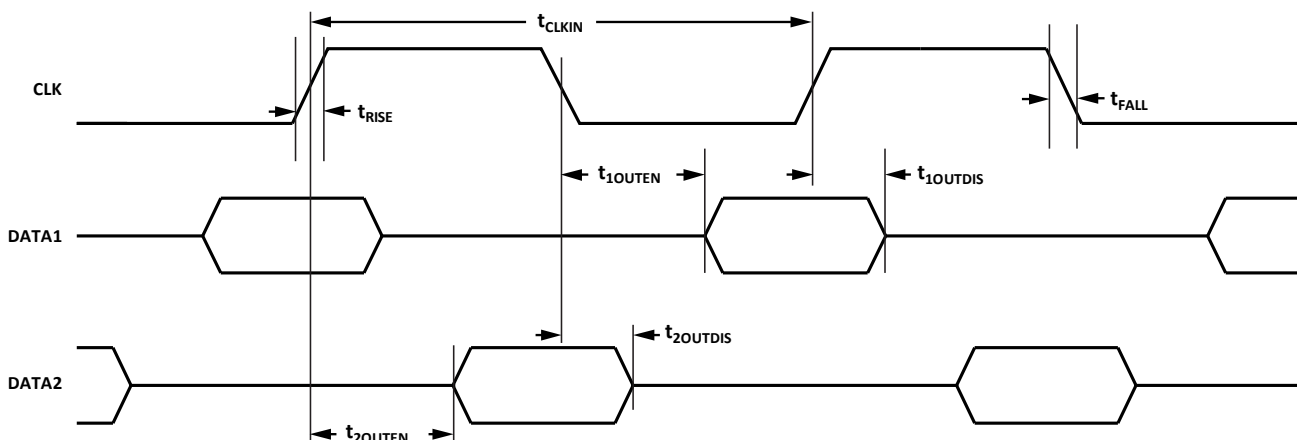


Figure 1. Pulse Density Modulated Output Timing

ABSOLUTE MAXIMUM RATINGS

Stress above those listed as Absolute Maximum Ratings may cause permanent damage to the device. These are stress ratings only and functional operation of the device at these conditions is not implied. Exposure to the absolute maximum ratings conditions for extended periods may affect device reliability.

TABLE 7. ABSOLUTE MAXIMUM RATINGS

PARAMETER	RATING
Supply Voltage (V _{DD})	-0.3 V to +3.63 V
Digital Pin Input Voltage	-0.3 V to V _{DD} + 0.3 V or 3.63 V, whichever is less
Sound Pressure Level	160 dB
Mechanical Shock	10,000 g
Vibration	Per MIL-STD-883 Method 2007, Test Condition B
Temperature Range	
Biased	-40°C to +85°C
Storage	-55°C to +150°C

ESD CAUTION



ESD (electrostatic discharge) sensitive device. Charged devices and circuit boards can discharge without detection. Although this product features patented or proprietary protection circuitry, damage may occur on devices subjected to high energy ESD. Therefore proper ESD precautions should be taken to avoid performance degradation or loss of functionality.

SOLDERING PROFILE

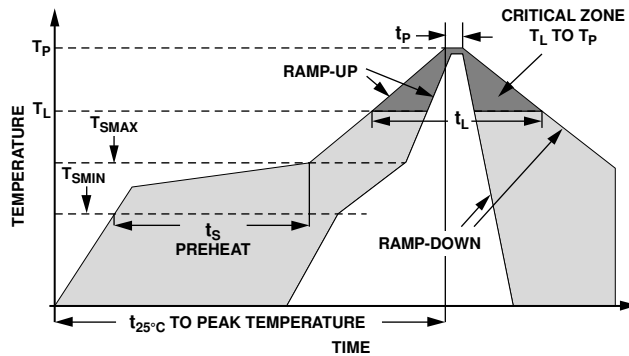


Figure 2. Recommended Soldering Profile Limits

TABLE 8. RECOMMENDED SOLDERING PROFILE*

PROFILE FEATURE		Sn63/Pb37	Pb-Free
Average Ramp Rate (T_L to T_P)		1.25°C/sec max	1.25°C/sec max
Preheat	Minimum Temperature (T_{SMIN})	100°C	100°C
	Minimum Temperature (T_{SMIN})	150°C	200°C
	Time (T_{SMIN} to T_{SMAX}), t_s	60 sec to 75 sec	60 sec to 75 sec
Ramp-Up Rate (T_{SMAX} to T_L)		1.25°C/sec	1.25°C/sec
Time Maintained Above Liquidous (t_L)		45 sec to 75 sec	~50 sec
Liquidous Temperature (T_L)		183°C	217°C
Peak Temperature (T_P)		215°C +3°C/-3°C	260°C +0°C/-5°C
Time Within +5°C of Actual Peak Temperature (t_p)		20 sec to 30 sec	20 sec to 30 sec
Ramp-Down Rate		3°C/sec max	3°C/sec max
Time +25°C ($t_{25°C}$) to Peak Temperature		5 min max	5 min max

*The reflow profile in Table 8 is recommended for board manufacturing with InvenSense MEMS microphones. All microphones are also compatible with the J-STD-020 profile

PIN CONFIGURATIONS AND FUNCTION DESCRIPTIONS

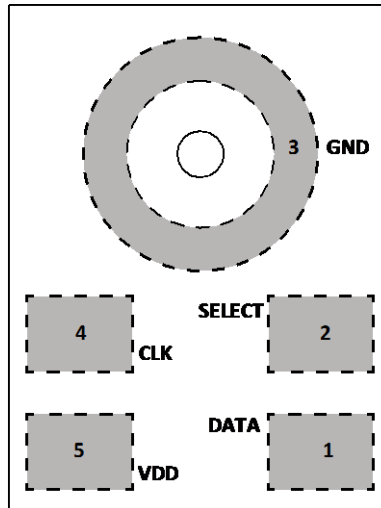


Figure 3. Pin Configuration (Top View, Terminal Side Down)

TABLE 9. PIN FUNCTION DESCRIPTIONS

PIN	NAME	FUNCTION
1	DATA	Digital Output Signal (DATA1 or DATA2)
2	SELECT	Left Channel or Right Channel Select: DATA 1 (right): SELECT tied to GND DATA 2 (left): SELECT tied to VDD. In this setting, SELECT should be tied to the same voltage source as the VDD pin.
3	GND	Ground
4	CLK	Clock Input to Microphone
5	VDD	Power Supply. For best performance and to avoid potential parasitic artifacts, place a 0.1 μ F (100 nF) ceramic type X7R capacitor between Pin 5 (VDD) and ground. Place the capacitor as close to Pin 5 as possible.

TYPICAL PERFORMANCE CHARACTERISTICS

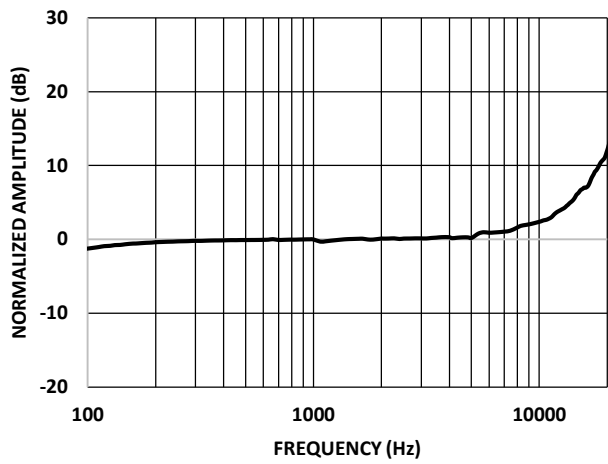


Figure 4. Typical Audio Frequency Response, Standard Mode

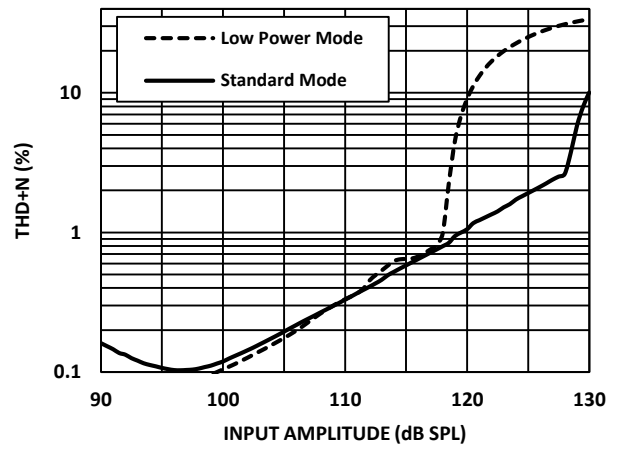


Figure 5. THD + N vs. Input Level, Standard and Low-Power Modes

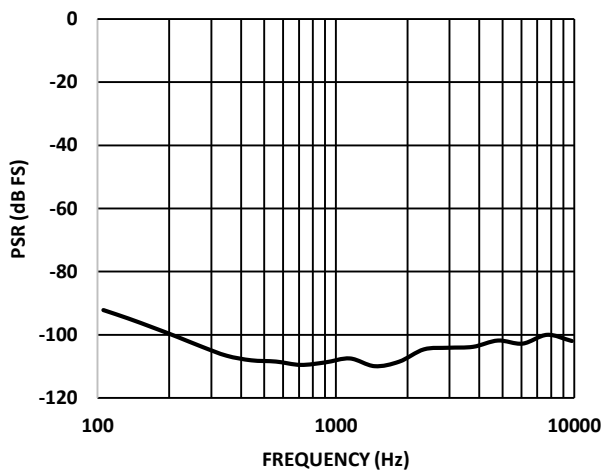


Figure 6. Power Supply Rejection (PSR) vs. Frequency, Standard Mode

THEORY OF OPERATION

PDM DATA FORMAT

The output from the DATA pin of the ICS-51360 is in pulse density modulated (PDM) format. This data is the 1-bit output of a fourth-order Σ - Δ modulator. The data is encoded so that the left channel is clocked on the falling edge of CLK, and the right channel is clocked on the rising edge of CLK. After driving the DATA signal high or low in the appropriate half frame of the CLK signal, the DATA driver of the microphone tristates. In this way, two microphones, one set to the left channel and the other to the right, can drive a single DATA line. See Figure 1 for a timing diagram of the PDM data format; the DATA1 and DATA2 lines shown in this figure are two halves of the single physical DATA signal. Figure 7 shows a diagram of the two stereo channels sharing a common DATA line.

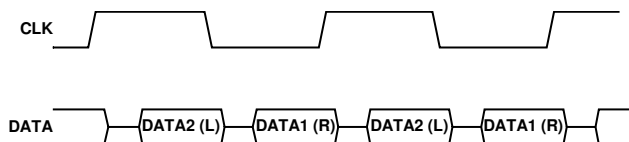


Figure 7. Stereo PDM Format

If only one microphone is connected to the DATA signal, the output is only clocked on a single edge (Figure 8). For example, a left channel microphone is never clocked on the rising edge of CLK. In a single microphone application, each bit of the DATA signal is typically held for the full CLK period until the next transition because the leakage of the DATA line is not enough to discharge the line while the driver is tristated.

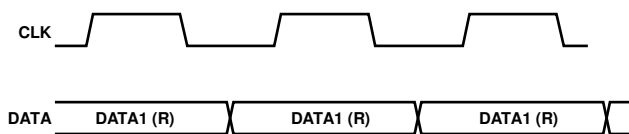


Figure 8. Mono PDM Format

See Table 10 for the channel assignments according to the logic level on the SELECT pin. The setting on the SELECT pin is sampled at power-up and should not be changed during operation.

TABLE 10. ICS-51360 CHANNEL SETTING

SELECT Pin Setting	Channel
Low (tie to GND)	Right (DATA1)
High (tie to VDD)	Left (DATA2)

For PDM data, the density of the pulses indicates the signal amplitude. A high density of high pulses indicates a signal near positive full scale, and a high density of low pulses indicates a signal near negative full scale. A perfect zero (dc) audio signal shows an alternating pattern of high and low pulses.

The output PDM data signal has a small dc offset of about 3% of full scale. A high-pass filter in the codec that is connected to the digital microphone and does not affect the performance of the microphone typically removes this dc signal.

PDM MICROPHONE SENSITIVITY

The sensitivity of a PDM output microphone is specified with the unit dB FS (decibels relative to digital full scale). A 0 dB FS sine wave is defined as a signal whose peak just touches the full-scale code of the digital word (see Figure 9). This measurement convention also means that signals with a different crest factor may have an RMS level higher than 0 dB FS. For example, a full-scale square wave has an RMS level of 3 dB FS.

This definition of a 0 dB FS signal must be understood when measuring the sensitivity of the ICS-51360. A 1 kHz sine wave at a 94 dB SPL acoustic input to the ICS-51360 results in an output signal with a -26 dB FS level (low power mode). The output digital word peaks at -26 dB below the digital full-scale level. A common misunderstanding is that the output has an RMS level of -29 dB FS; however, this is not true because of the definition of the 0 dB FS sine wave.

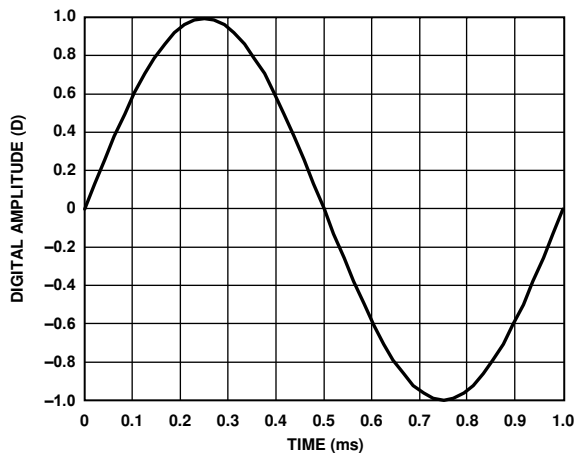


Figure 9. 1 kHz, 0 dB FS Sine Wave

There is not a commonly accepted unit of measurement to express the instantaneous level, as opposed to the RMS level of the signal, of a digital signal output from the microphone. Some measurement systems express the instantaneous level of an individual sample in units of D, where 1.0 D is digital full scale. In this case, a -26 dB FS sine wave has peaks at 0.05 D.

APPLICATIONS INFORMATION

LOW POWER MODE

Low Power Mode (LPM) enables the ICS-51360 to be used in an AlwaysOn listening mode for keyword spotting and ambient sound analysis. The ICS-51360 will enter LPM when the frequency of SCK is 768 kHz. In this mode, the microphone consumes only 230 μ A while retaining high electro-acoustic performance.

When one microphone is in LPM for AlwaysOn listening, a second microphone sharing the same data line may be powered down. In this case, where one microphone is powered up and another is powered down by disabling the VDD supply or in sleep mode by reducing the frequency of a separate clock source, the disabled microphone does not present a load to the signal on the LPM microphone's DATA pin.

DYNAMIC RANGE CONSIDERATIONS

The microphone clips (THD = 10%) at 120 dB SPL in Low Power Mode and at 130 dB SPL in Standard Mode (see Figure 5); however, it continues to output an increasingly distorted signal above that point. The peak output level, which is controlled by the modulator, limits at 0 dB FS.

To fully use the 98 dB dynamic range of the output data of the ICS-51360 in a design, the digital signal processor (DSP), analog-to-digital converter (ADC), or codec circuit following it must be chosen carefully. The decimation filter that inputs the PDM signal from the ICS-51360 must have a dynamic range sufficiently better than the dynamic range of the microphone so that the overall noise performance of the system is not degraded. If the decimation filter has a dynamic range of 10 dB better than the microphone, the overall system noise only degrades by 0.4 dB. This 108 dB filter dynamic range requires the filter to have at least 18 bit resolution.

CONNECTING PDM MICROPHONES

A PDM output microphone is typically connected to a codec with a dedicated PDM input. This codec separately decodes the left and right channels and filters the high sample rate modulated data back to the audio frequency band. This codec also generates the clock for the PDM microphones or is synchronous with the source that is generating the clock. Figure 10 and Figure 11 show mono and stereo connections of the ICS-51360 to a codec. The mono connection shows an ICS-51360 set to output data on the right channel. To output on the left channel, tie the SELECT pin to VDD instead of tying it to GND.

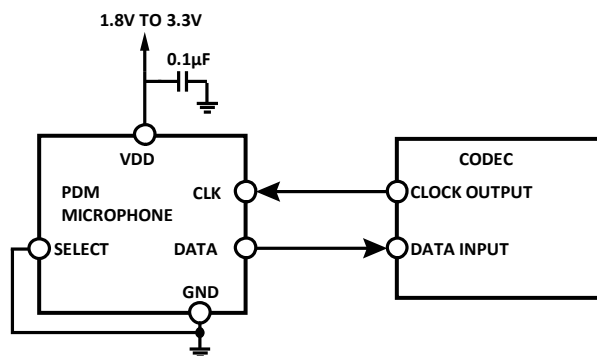


Figure 10. Mono PDM Microphone (Right Channel) Connection to Codec

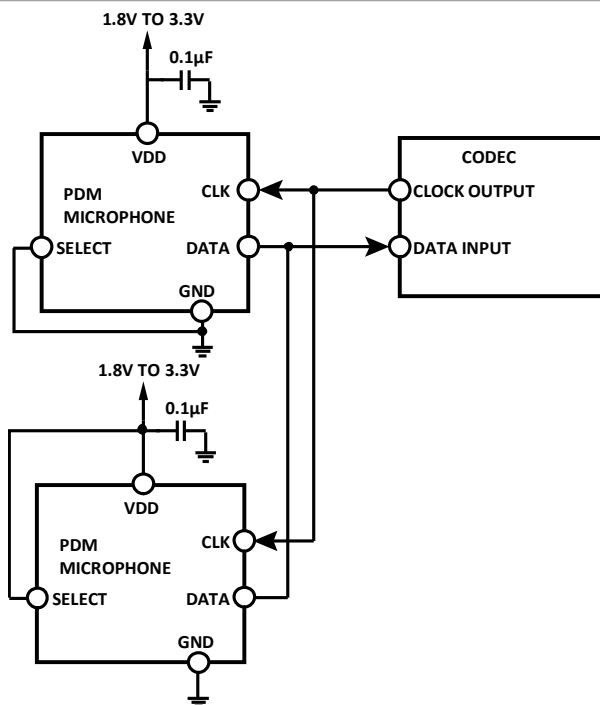


Figure 11. Stereo PDM Microphone Connection to Codec

Decouple the VDD pin of the ICS-51360 to GND with a 0.1 µF capacitor. Place this capacitor as close to VDD as the printed circuit board (PCB) layout allows.

Do not use a pull-up or pull-down resistor on the PDM data signal line because it can pull the signal to an incorrect state during the period that the signal line is tristated.

The DATA signal does not need to be buffered in normal use when the ICS-51360 microphone(s) is placed close to the codec on the PCB. If the DATA signal must be driven over a long cable (>15 cm) or other large capacitive load, a digital buffer may be required. Only use a signal buffer on the DATA line when one microphone is in use or after the point where two microphones are connected (see Figure 12). The DATA output of each microphone in a stereo configuration cannot be individually buffered because the two buffer outputs cannot drive a single signal line. If a buffer is used, take care to select one with low propagation delay so that the timing of the data connected to the codec is not corrupted.

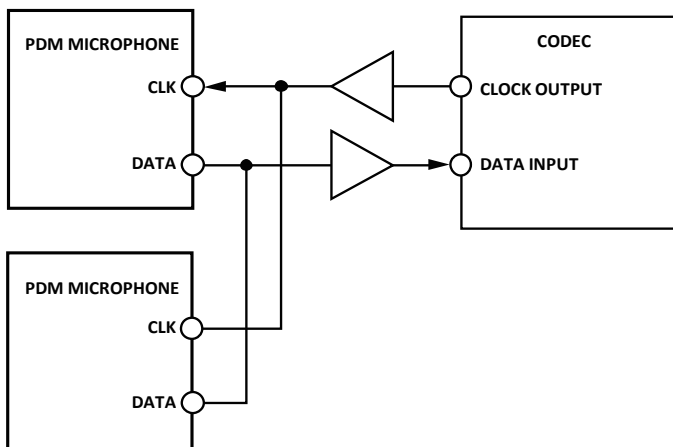


Figure 12. Buffered Connections Between Stereo ICS-51360s and a Codec

When long wires are used to connect the codec to the ICS-51360, a source termination resistor can be used on the clock output of the codec instead of a buffer to minimize signal overshoot or ringing. Match the value of this resistor to the characteristic impedance of the CLK trace on the PCB. Depending on the drive capability of the codec clock output, a buffer may still be needed, as shown in Figure 12.

SLEEP MODE

The microphone enters sleep mode when the clock frequency falls below 200 kHz. In this mode, the microphone data output is in a high impedance state. The current consumption in sleep mode is 12 μ A.

The microphone wakes up from sleep mode and begins to output data within 10 ms after the clock becomes active. The wake-up time indicates the time from when the clock is enabled to when the ICS-51360 outputs data within 1 dB of its settled sensitivity.

START-UP TIME

The start-up time of the ICS-51360 is less than 20 ms, measured by the time from when power and clock are enabled until sensitivity of the output signal is within 1 dB of its settled sensitivity.

SUPPORTING DOCUMENTS

For additional information, see the following documents.

APPLICATION NOTES – GENERAL

AN-000048, *PDM Digital Output MEMS Microphone Flex Evaluation Board User Guide*

AN-100, *MEMS Microphone Handling and Assembly Guide*

AN-1003, *Recommendations for Mounting and Connecting the Invensense, Bottom-Ported MEMS Microphones*

AN-1112, *Microphone Specifications Explained*

AN-1124, *Recommendations for Sealing InvenSense Bottom-Port MEMS Microphones from Dust and Liquid Ingress*

AN-1140, *Microphone Array Beamforming*

PCB DESIGN AND LAND PATTERN LAYOUT

The recommended PCB land pattern for the ICS-51360 is a 1:1 ratio of the solder pads on the microphone package, as shown in Figure 13. Avoid applying solder paste to the sound hole in the PCB. A suggested solder paste stencil pattern layout is shown in Figure 14.

The response of the ICS-51360 is not affected by the PCB hole size as long as the hole is not smaller than the sound port of the microphone (0.375 mm in diameter). A 0.5 mm to 1 mm diameter for the hole is recommended. Take care to align the hole in the microphone package with the hole in the PCB. The exact degree of the alignment does not affect the microphone performance as long as the holes are not partially or completely blocked.

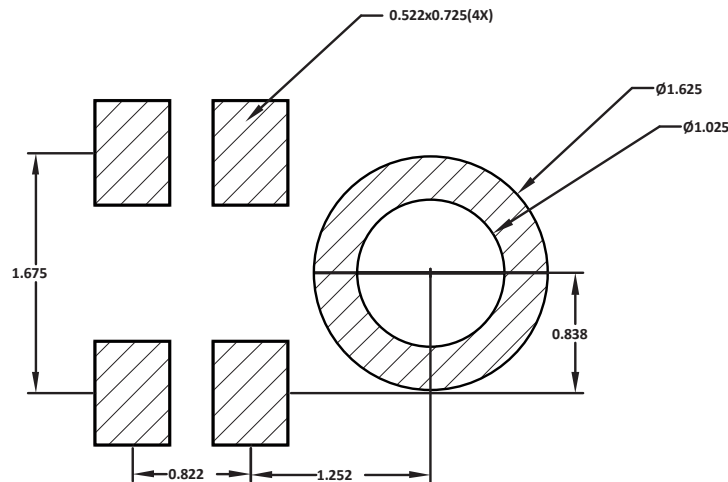


Figure 13. Recommended PCB Land Pattern Layout

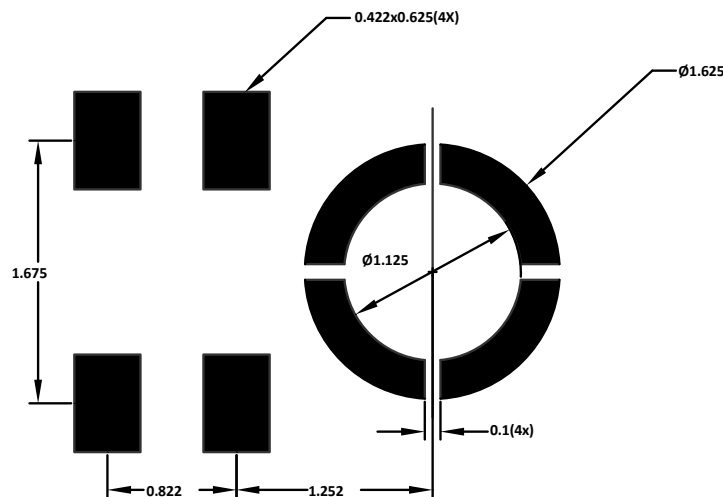


Figure 14. Suggested Solder Paste Stencil Pattern Layout

PCB MATERIAL AND THICKNESS

The performance of the ICS-51360 is not affected by PCB thickness. The ICS-51360 can be mounted on either a rigid or flexible PCB. A flexible PCB with the microphone can be attached directly to the device housing with an adhesive layer. This mounting method offers a reliable seal around the sound port while providing the shortest acoustic path for good sound quality.

HANDLING INSTRUCTIONS

PICK AND PLACE EQUIPMENT

The MEMS microphone can be handled using standard pick-and-place and chip shooting equipment. Take care to avoid damage to the MEMS microphone structure as follows:

- Use a standard pickup tool to handle the microphone. Because the microphone hole is on the bottom of the package, the pickup tool can make contact with any part of the lid surface.
- Do not pick up the microphone with a vacuum tool that makes contact with the bottom side of the microphone. Do not pull air out of or blow air into the microphone port.
- Do not use excessive force to place the microphone on the PCB.

REFLOW SOLDER

For best results, the soldering profile must be in accordance with the recommendations of the manufacturer of the solder paste used to attach the MEMS microphone to the PCB. It is recommended that the solder reflow profile not exceed the limit conditions specified in Figure 2 and Table 8.

BOARD WASH

When washing the PCB, ensure that water does not make contact with the microphone port. Do not use blow-off procedures or ultrasonic cleaning.

OUTLINE DIMENSIONS

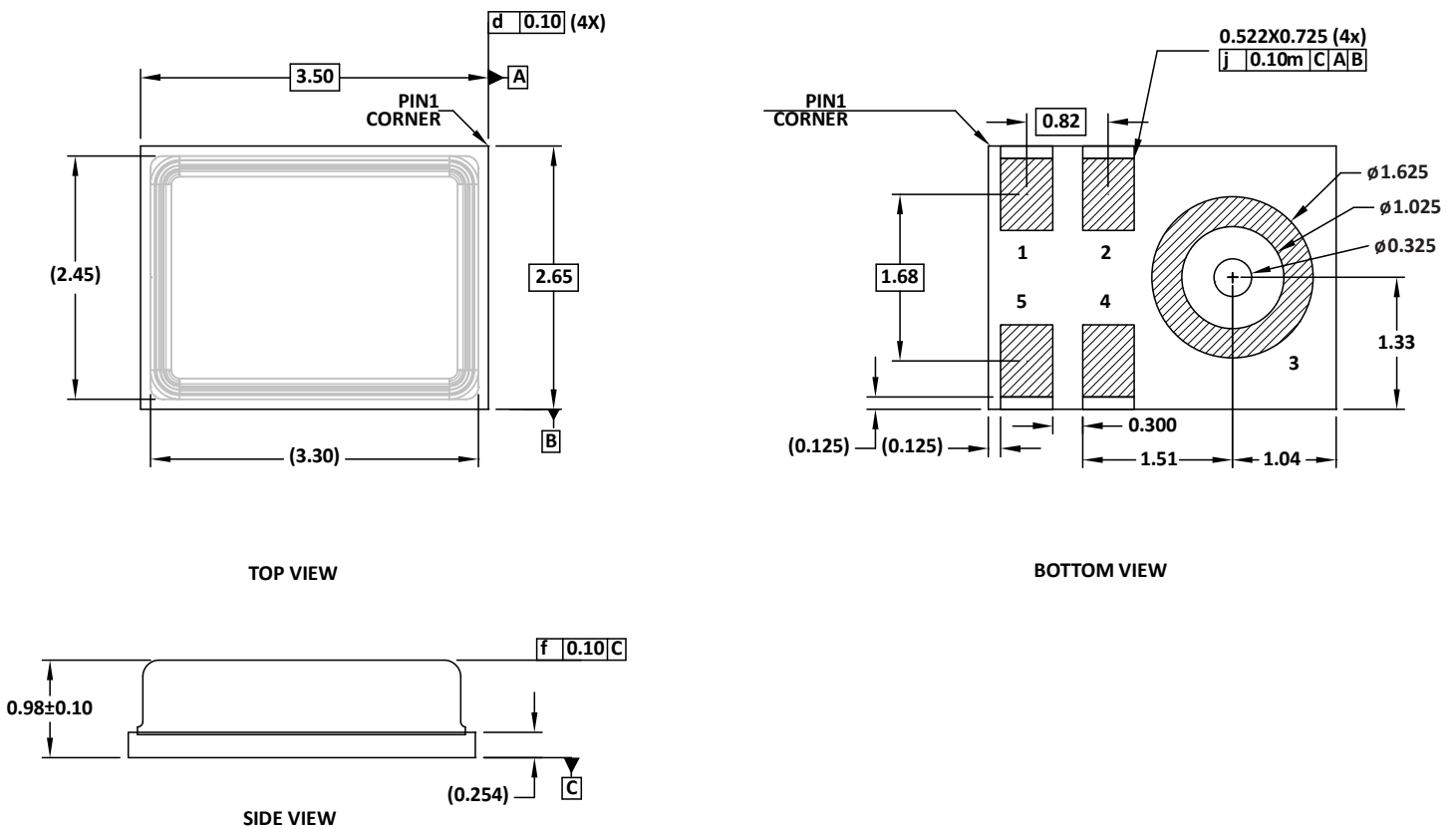


Figure 15. 5-Terminal Chip Array Small Outline No Lead Cavity [LGA_CAV]
 3.5 mm × 2.65 mm × 0.98 mm Body
 Dimensions shown in millimeters
 Dimension tolerance is ±0.15 mm unless otherwise specified

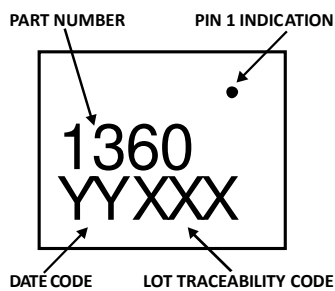


Figure 16. Package Marking Specification (Top View)

ORDERING GUIDE

PART	TEMP RANGE	PACKAGE	QUANTITY	PACKAGING
ICS-51360	-40°C to +85°C	5-Terminal LGA_CAV	10,000	13" Tape and Reel

REVISION HISTORY

REVISION DATE	REVISION	DESCRIPTION
9/23/2016	1.0	Initial version

COMPLIANCE DECLARATION DISCLAIMER

InvenSense believes the environmental and other compliance information given in this document to be correct but cannot guarantee accuracy or completeness. Conformity documents substantiating the specifications and component characteristics are on file. InvenSense subcontracts manufacturing, and the information contained herein is based on data received from vendors and suppliers, which has not been validated by InvenSense.

This information furnished by InvenSense is believed to be accurate and reliable. However, no responsibility is assumed by InvenSense for its use, or for any infringements of patents or other rights of third parties that may result from its use. Specifications are subject to change without notice. InvenSense reserves the right to make changes to this product, including its circuits and software, in order to improve its design and/or performance, without prior notice. InvenSense makes no warranties, neither expressed nor implied, regarding the information and specifications contained in this document. InvenSense assumes no responsibility for any claims or damages arising from information contained in this document, or from the use of products and services detailed therein. This includes, but is not limited to, claims or damages based on the infringement of patents, copyrights, mask work and/or other intellectual property rights.

Certain intellectual property owned by InvenSense and described in this document is patent protected. No license is granted by implication or otherwise under any patent or patent rights of InvenSense. This publication supersedes and replaces all information previously supplied. Trademarks that are registered trademarks are the property of their respective companies. InvenSense sensors should not be used or sold in the development, storage, production or utilization of any conventional or mass-destructive weapons or for any other weapons or life threatening applications, as well as in any other life critical applications such as medical equipment, transportation, aerospace and nuclear instruments, undersea equipment, power plant equipment, disaster prevention and crime prevention equipment.

©2016 InvenSense, Inc. All rights reserved. InvenSense, MotionTracking, MotionProcessing, MotionProcessor, MotionFusion, MotionApps, DMP, AAR and the InvenSense logo are trademarks of InvenSense, Inc. Other company and product names may be trademarks of the respective companies with which they are associated.



©2016 InvenSense, Inc. All rights reserved.