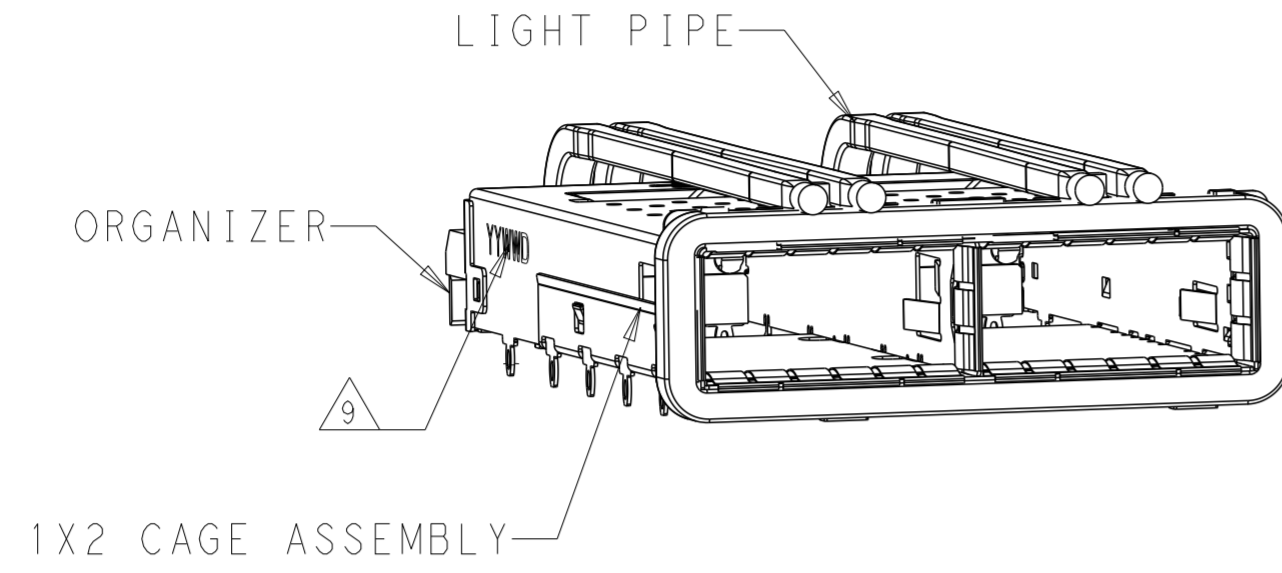
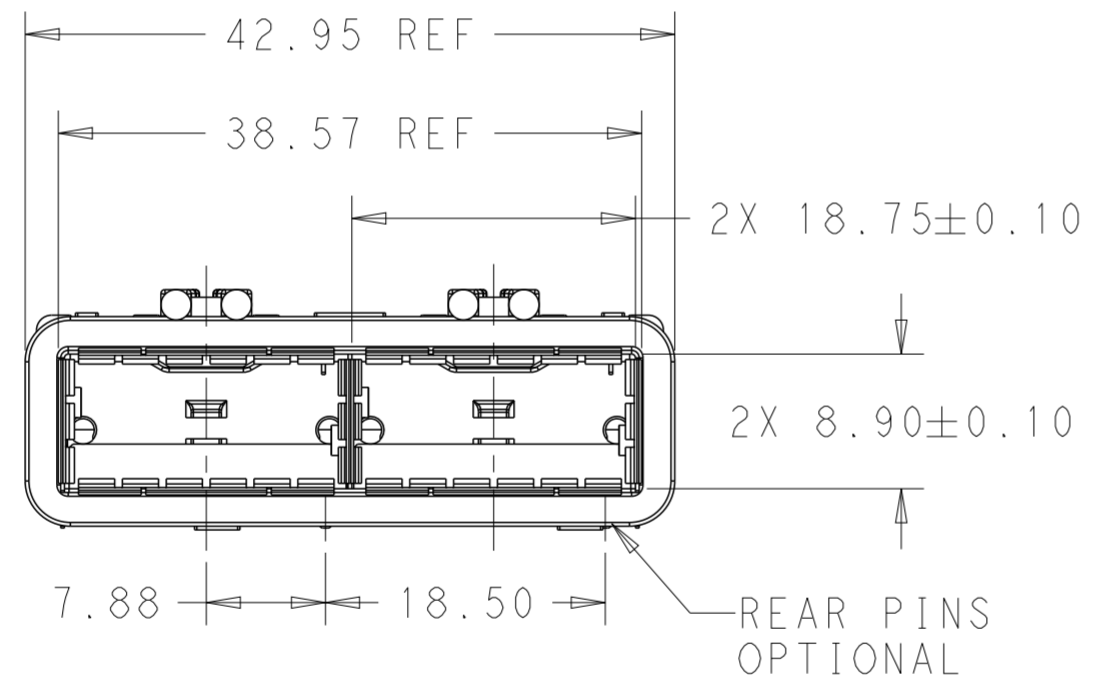


THIS DRAWING IS UNPUBLISHED. RELEASED FOR PUBLICATION 20  
 © COPYRIGHT 20 BY - ALL RIGHTS RESERVED.

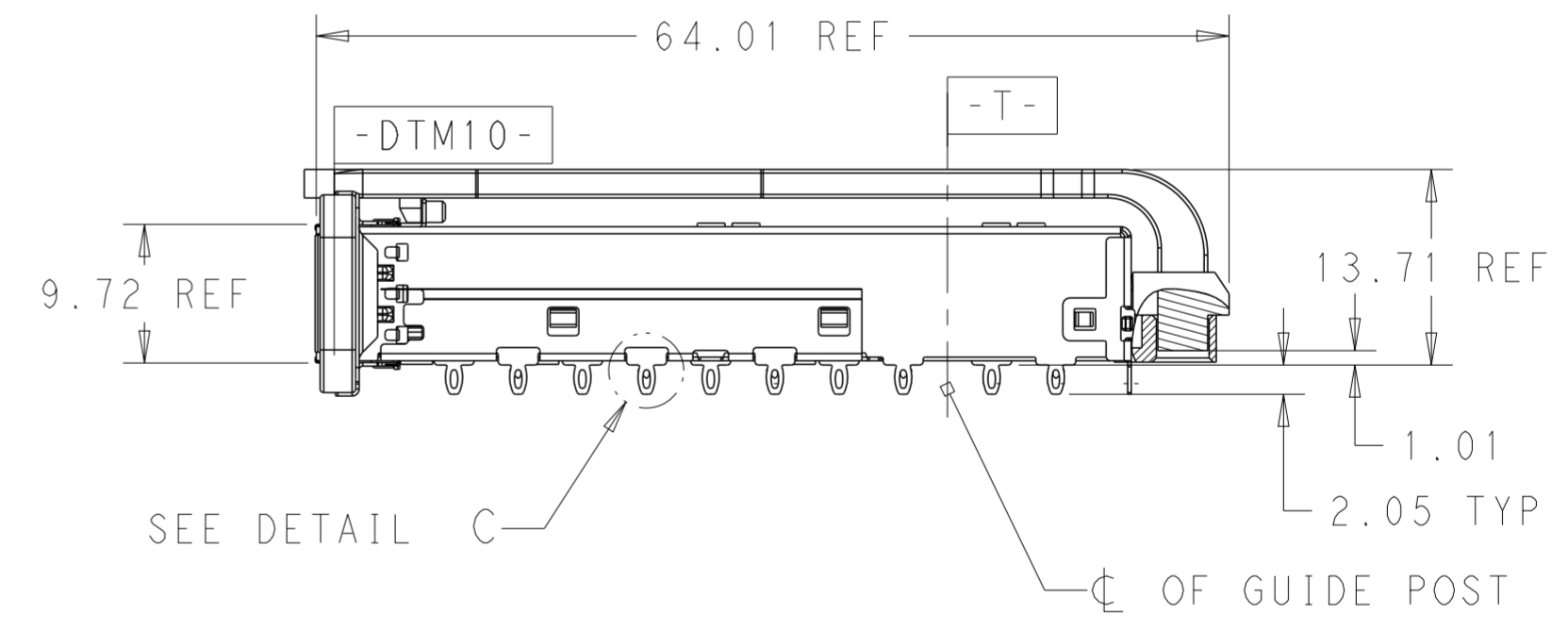
LOC		DIST		REVISIONS			
P	LTR	DESCRIPTION	DATE	DWN	APVD		
	A	RELEASE	09NOV2016	JY	SH		
	A1	REVISED PER ECN-22-163746	11JUL2022	IT	SZ		



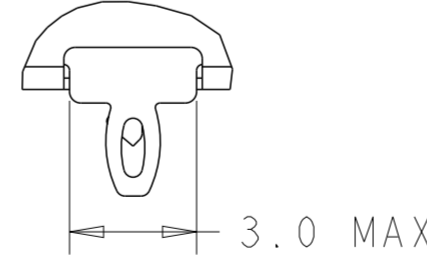
1. COMPONENTS  
 CAGE ASSEMBLY: NICKEL-SILVER ALLOY  
 EMI SPRING: COPPER ALLOY/NICKEL PLATE  
 LIGHT PIPE: CLEAR POLYCARBONATE  
 ORGANIZER: POLYESTER  
 EMI GASKET: PLATED FILLED SILICONE
2. REFERENCE APPLICATION SPECIFICATION 114-32023 FOR RECOMMENDED DRILL HOLE DIAMETER AND PLATING THICKNESS
3. DATUM AND BASIC DIMENSION ESTABLISHED BY CUSTOMER
4. MATES WITH QSFP28 MSA COMPATIBLE TRANSCEIVER.
5. LIGHT PIPES ARE SHIPPED ASSEMBLED ON CAGE
6. MINIMUM PC BOARD THICKNESS: SINGLE SIDED: 1.57 MIN  
 DOUBLE SIDED: 3.00 MIN
7. DATUM **-A-** IS TOP SURFACE OF THE HOST BOARD.
8. THESE HOLES ARE OPTIONAL WHEN THE REAR PINS ARE REMOVED.
9. DATE CODE (YYWWD) MARKED APPROXIMATELY AS SHOWN.



SCALE 2:1



SECTION A-A



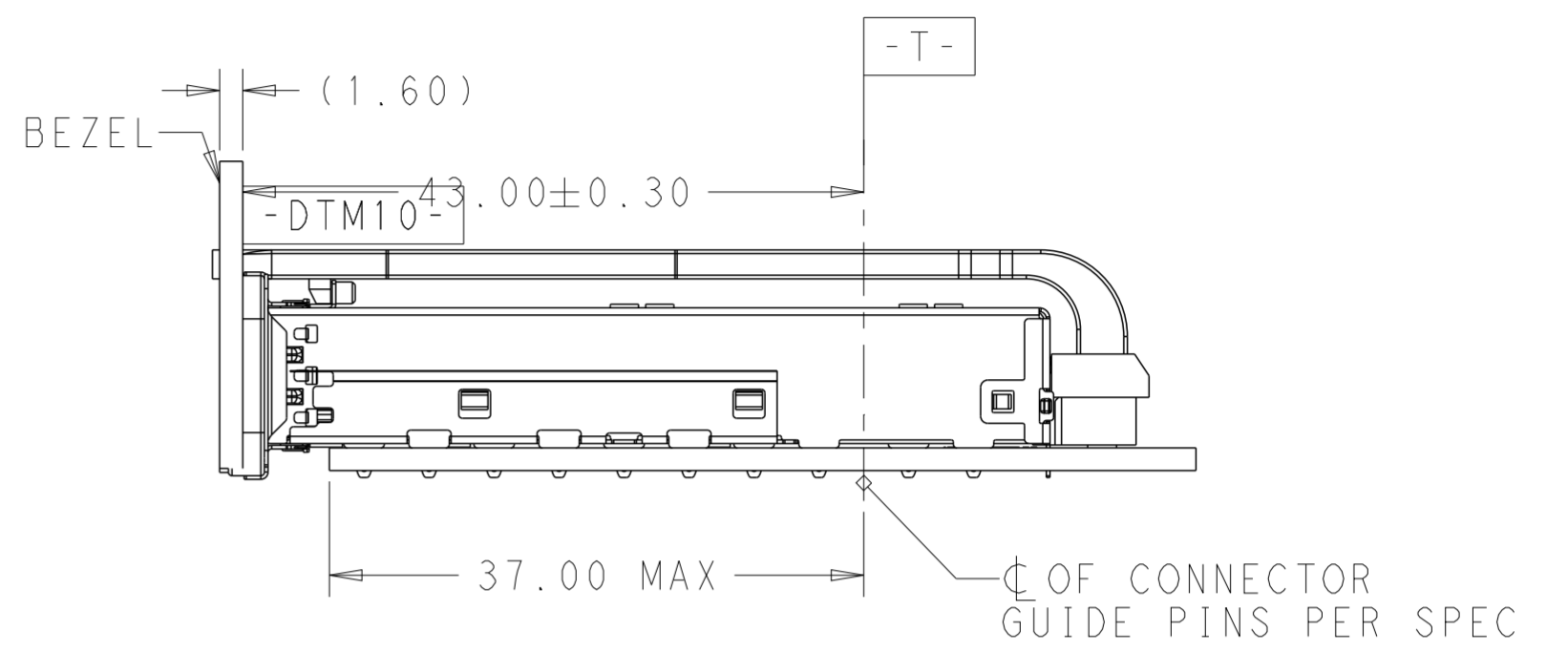
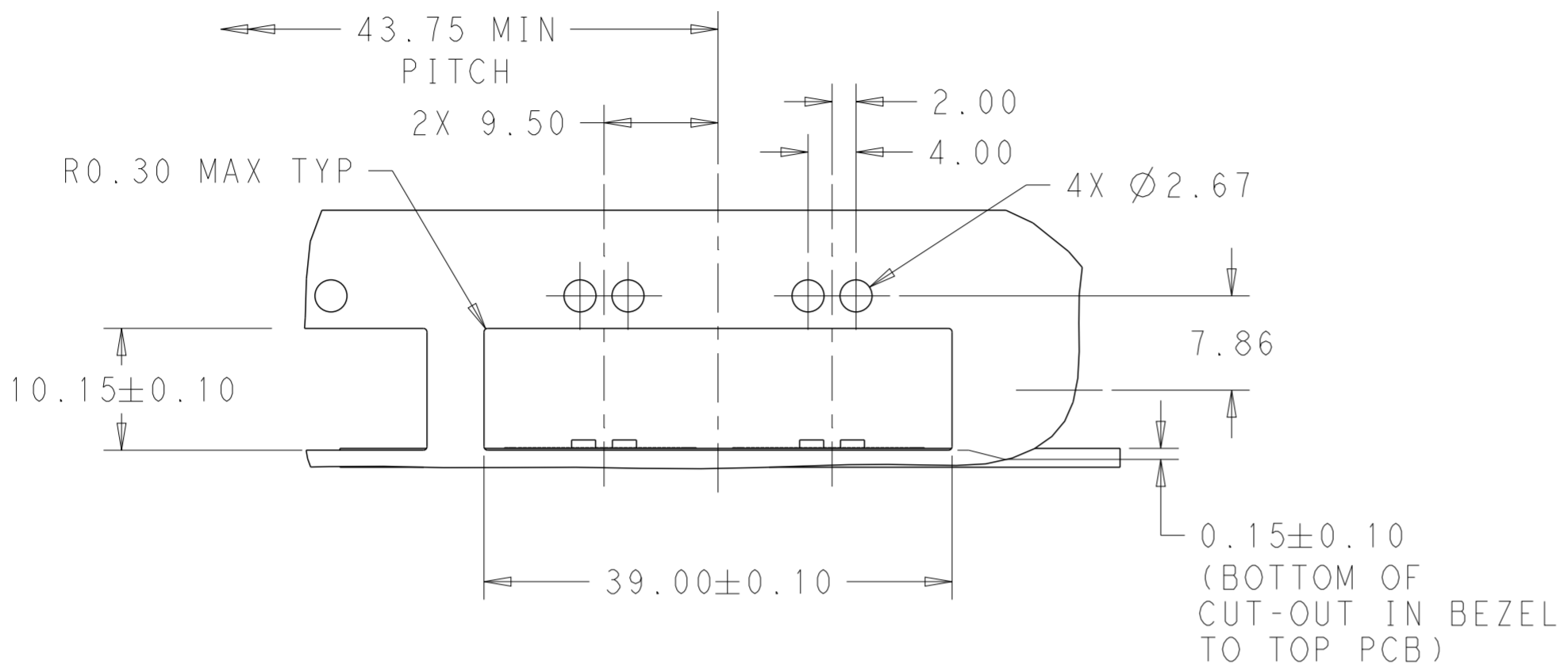
DETAIL C  
 SCALE 6:1

WITHOUT	2170813-2
WITH	2170813-1
REAR PINS OPTIONAL	PART NUMBER

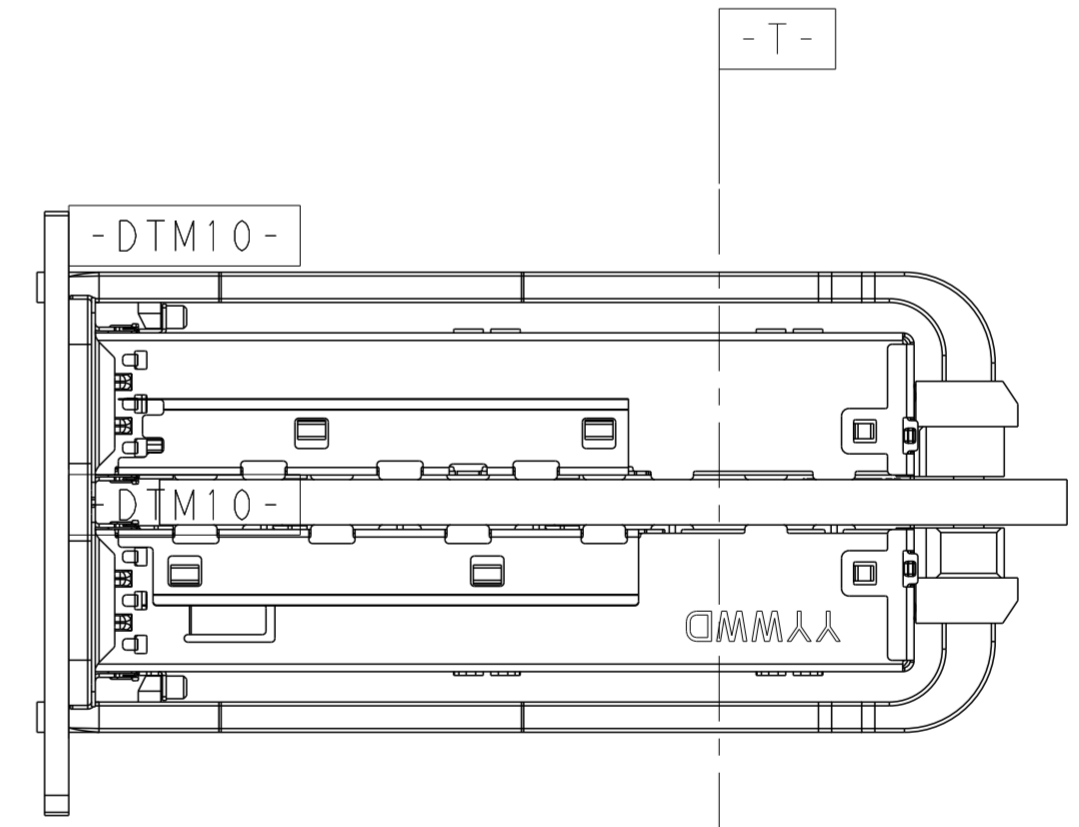
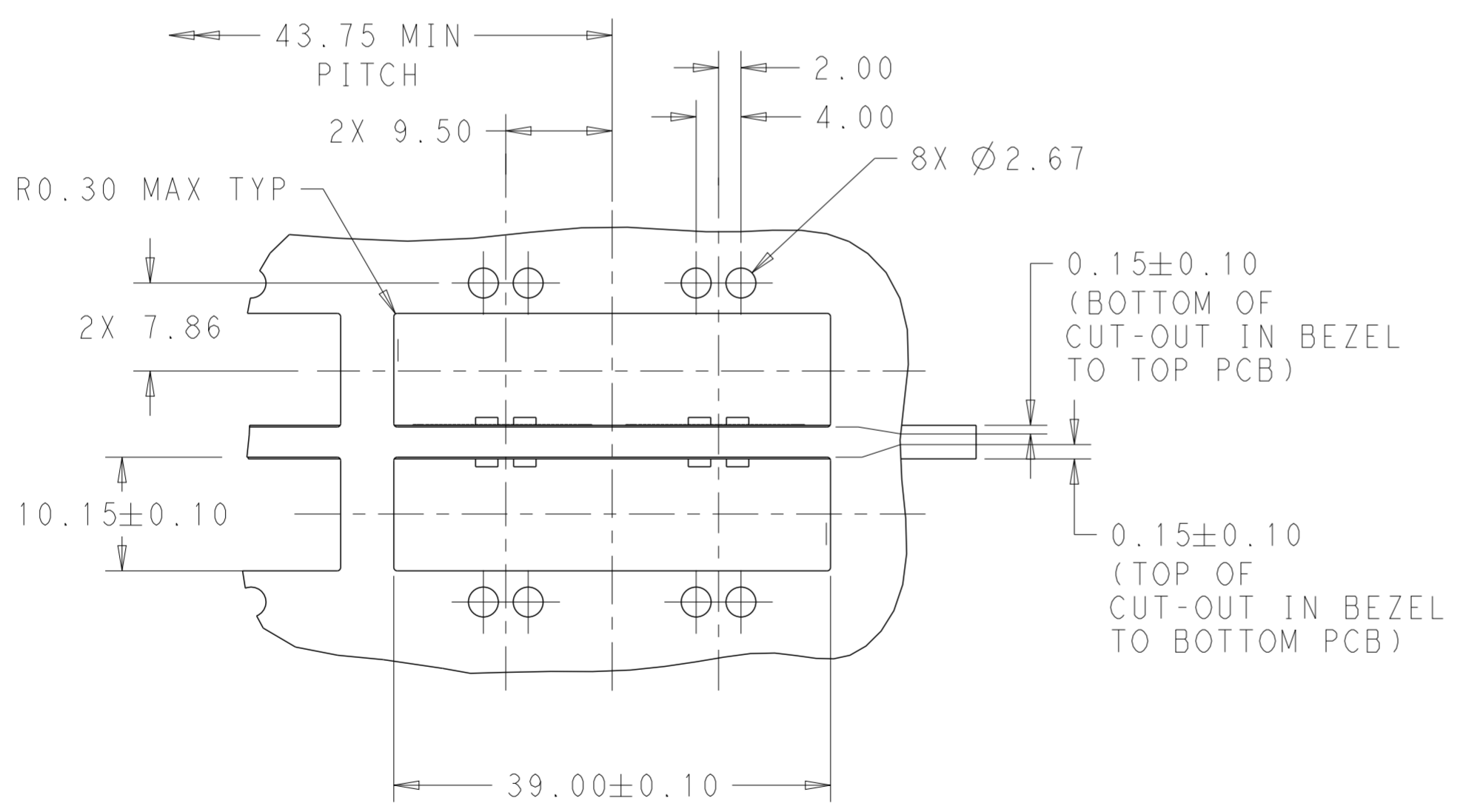
THIS DRAWING IS A CONTROLLED DOCUMENT.		DWN BING LIU 16SEP2014	TE Connectivity		
DIMENSIONS: mm		CHK JASON YANG 16SEP2014			
TOLERANCES UNLESS OTHERWISE SPECIFIED:		APVD SEAN HAN 26OCT2015	NAME RECEPTACLE CAGE ASSEMBLY WITH LIGHT PIPES, THRU BEZEL, 1X2, QSFP28		
0 PLC ± 1 PLC ±0.25 2 PLC ±0.2 3 PLC ± 4 PLC ± ANGLES ± FINISH ±		PRODUCT SPEC 108-19428	SIZE A2	CAGE CODE 00779	DRAWING NO C-2170813
MATERIAL SEE NOTES		APPLICATION SPEC 114-32023	RESTRICTED TO -		
WEIGHT -		CUSTOMER DRAWING	SCALE 3:1	SHEET 1 OF 5	REV A1

THIS DRAWING IS UNPUBLISHED. RELEASED FOR PUBLICATION 20  
 © COPYRIGHT 20 BY - ALL RIGHTS RESERVED.

LOC		DIST		REVISIONS			
P	LTR	DESCRIPTION		DATE	DWN	APVD	
rev_sym_1	16SEP2014	BING LIU		16SEP2014			1
rev_sym_2	16SEP2014	JASON YANG		16SEP2014			2
rev_sym_3	26OCT2015	SEAN HAN		26OCT2015			3
rev_sym_4							4



SINGLE SIDE MOUNTING  
SCALE 2:1

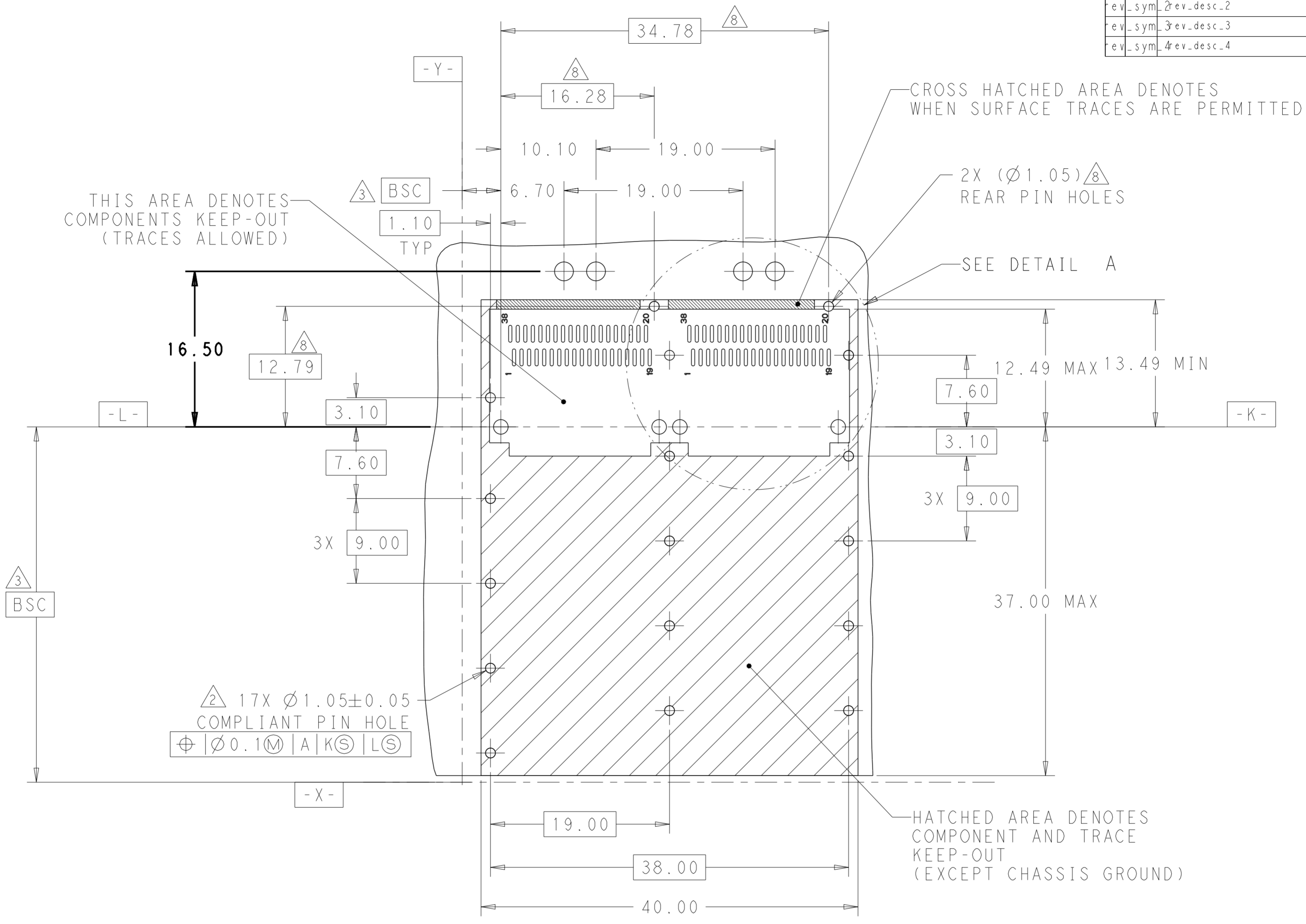


BELLY TO BELLY MOUNTING  
SCALE 2:1

THIS DRAWING IS A CONTROLLED DOCUMENT.		DWN	16SEP2014	 TE Connectivity	NAME RECEPTACLE CAGE ASSEMBLY WITH LIGHT PIPES, THRU BEZEL, 1X2, QSFP28
DIMENSIONS:		CHK	16SEP2014		
mm		APVD	26OCT2015		
TOLERANCES UNLESS OTHERWISE SPECIFIED: 0 PLC ± 1 PLC ±0.25 2 PLC ±0.2 3 PLC ± 4 PLC ± ANGLES ± FINISH SEE NOTES		PRODUCT SPEC	108-19428		
MATERIAL		APPLICATION SPEC	114-32023	SIZE	CAGE CODE
SEE NOTES material_2		WEIGHT	-	A2	00779
finish_spec_2		CUSTOMER DRAWING		DRAWING NO	C-2170813
		SCALE	3:1	SHEET	2 OF 5
		REV	A1		

THIS DRAWING IS UNPUBLISHED. RELEASED FOR PUBLICATION 20  
 © COPYRIGHT 20 BY - ALL RIGHTS RESERVED.

LOC		DIST		REVISIONS			
P	LTR	DESCRIPTION	DATE	DWN	APVD		
rev_sym_1	16SEP2014	11	rev_date	rev_dwn	rev_apvd		
rev_sym_2	rev_desc_2		rev_date	rev_dwn	rev_apvd		
rev_sym_3	rev_desc_3		rev_date	rev_dwn	rev_apvd		
rev_sym_4	rev_desc_4		rev_date	rev_dwn	rev_apvd		



2 17X Ø1.05±0.05 COMPLIANT PIN HOLE

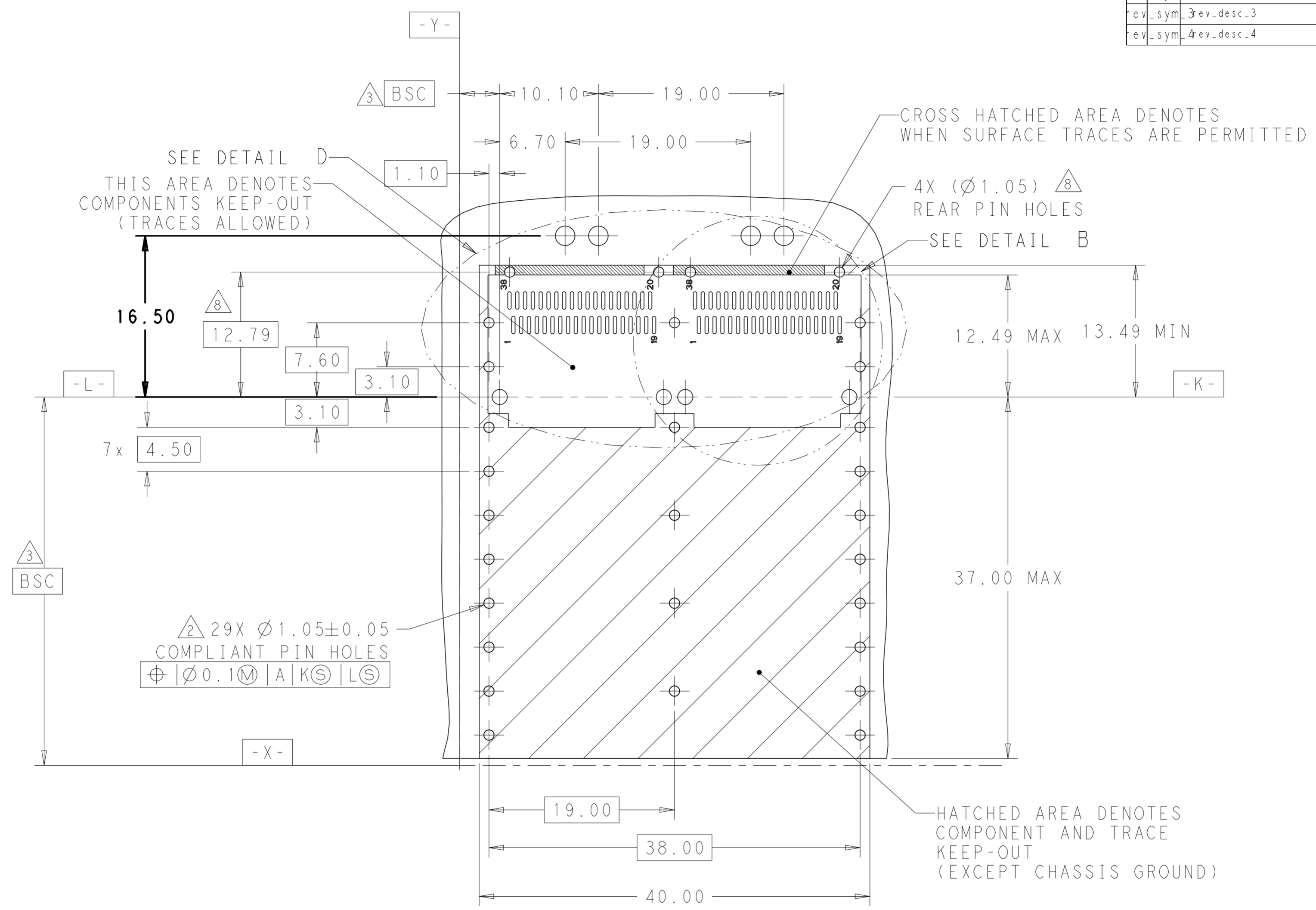
Ø	Ø0.1M	A	K	S	L	S
---	-------	---	---	---	---	---

RECOMMENDED PCB LAYOUT  
 SINGLE TYPE  
 PCB TOLERANCE: ±0.05  
 SCALE 3:1

THIS DRAWING IS A CONTROLLED DOCUMENT.		DWN	BING LIU	16SEP2014	TE Connectivity
DIMENSIONS: mm		CHK	JASON YANG	16SEP2014	
TOLERANCES UNLESS OTHERWISE SPECIFIED:		APVD	SEAN HAN	26OCT2015	
0 PLC ± 1 PLC ±0.25 2 PLC ±0.2 3 PLC ± 4 PLC ± ANGLES ± FINISH SEE NOTES		PRODUCT SPEC	108-19428	NAME	
MATERIAL SEE NOTES material_2		APPLICATION SPEC	114-32023	SIZE	A200779
		WEIGHT	-	DRAWING NO	C-2170813
		CUSTOMER DRAWING		RESTRICTED TO	-
		SCALE	3:1	SHEET	3 OF 5
				REV	A1

THIS DRAWING IS UNPUBLISHED. RELEASED FOR PUBLICATION 20  
 © COPYRIGHT 20 BY - ALL RIGHTS RESERVED.

LOC		DIST		REVISIONS			
P	LTR	DESCRIPTION		DATE	DWN	APVD	
rev_sym_1	16SEP2014	BING LIU		16SEP2014	BING LIU	JASON YANG	1
rev_sym_2	16SEP2014	JASON YANG		16SEP2014	JASON YANG	SEAN HAN	2
rev_sym_3	26OCT2015	SEAN HAN		26OCT2015	SEAN HAN		3
rev_sym_4							4



SEE DETAIL D  
 THIS AREA DENOTES  
 COMPONENTS KEEP-OUT  
 (TRACES ALLOWED)

CROSS HATCHED AREA DENOTES  
 WHEN SURFACE TRACES ARE PERMITTED

4X (Ø1.05) REAR PIN HOLES  
 SEE DETAIL B

29X Ø1.05±0.05  
 COMPLIANT PIN HOLES  
 Ø0.1M | A | K | L

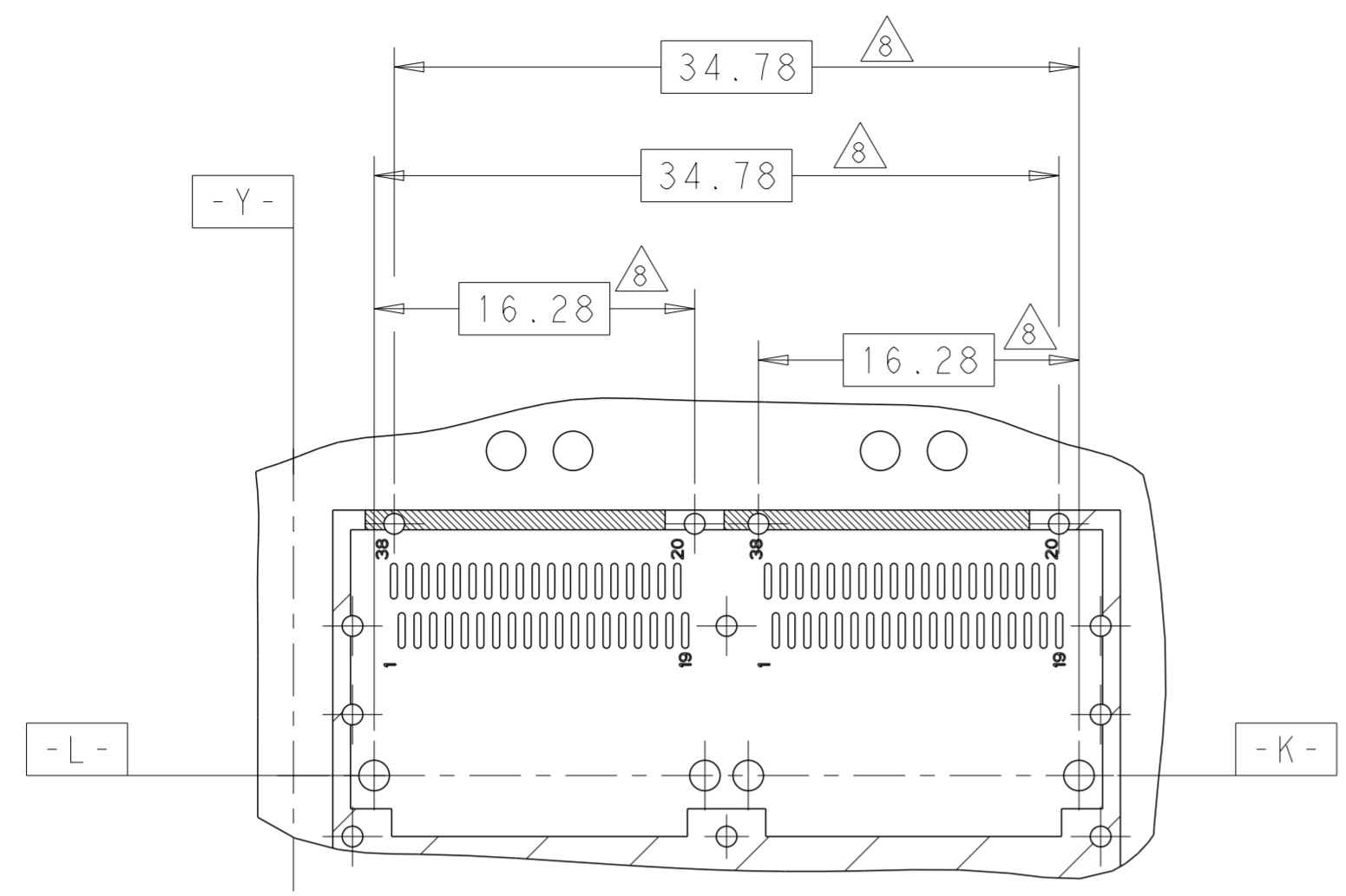
HATCHED AREA DENOTES  
 COMPONENT AND TRACE  
 KEEP-OUT  
 (EXCEPT CHASSIS GROUND)

RECOMMENDED PCB LAYOUT  
 BELLY TO BELLY TYPE  
 PCB TOLERANCE: ±0.05  
 SCALE 3:1

THIS DRAWING IS A CONTROLLED DOCUMENT.		DWN	16SEP2014	<b>STE</b> TE Connectivity			
DIMENSIONS: mm		CHK	16SEP2014				
TOLERANCES UNLESS OTHERWISE SPECIFIED:		APVD	26OCT2015				
0 PLC ± 1 PLC ±0.25 2 PLC ±0.2 3 PLC ± 4 PLC ± ANGLES ± FINISH SEE NOTES		NAME	RECEPTACLE CAGE ASSEMBLY WITH LIGHT PIPES, THRU BEZEL, 1X2, QSFP28				
MATERIAL SEE NOTES material_2		PRODUCT SPEC	108-19428	SIZE	CAGE CODE	DRAWING NO	RESTRICTED TO
FINISH SEE NOTES finish_spec_2		APPLICATION SPEC	114-32023	A2	00779	C-2170813	-
CUSTOMER DRAWING		WEIGHT	-	SCALE	3:1	SHEET	4 OF 5
				REV	A1		

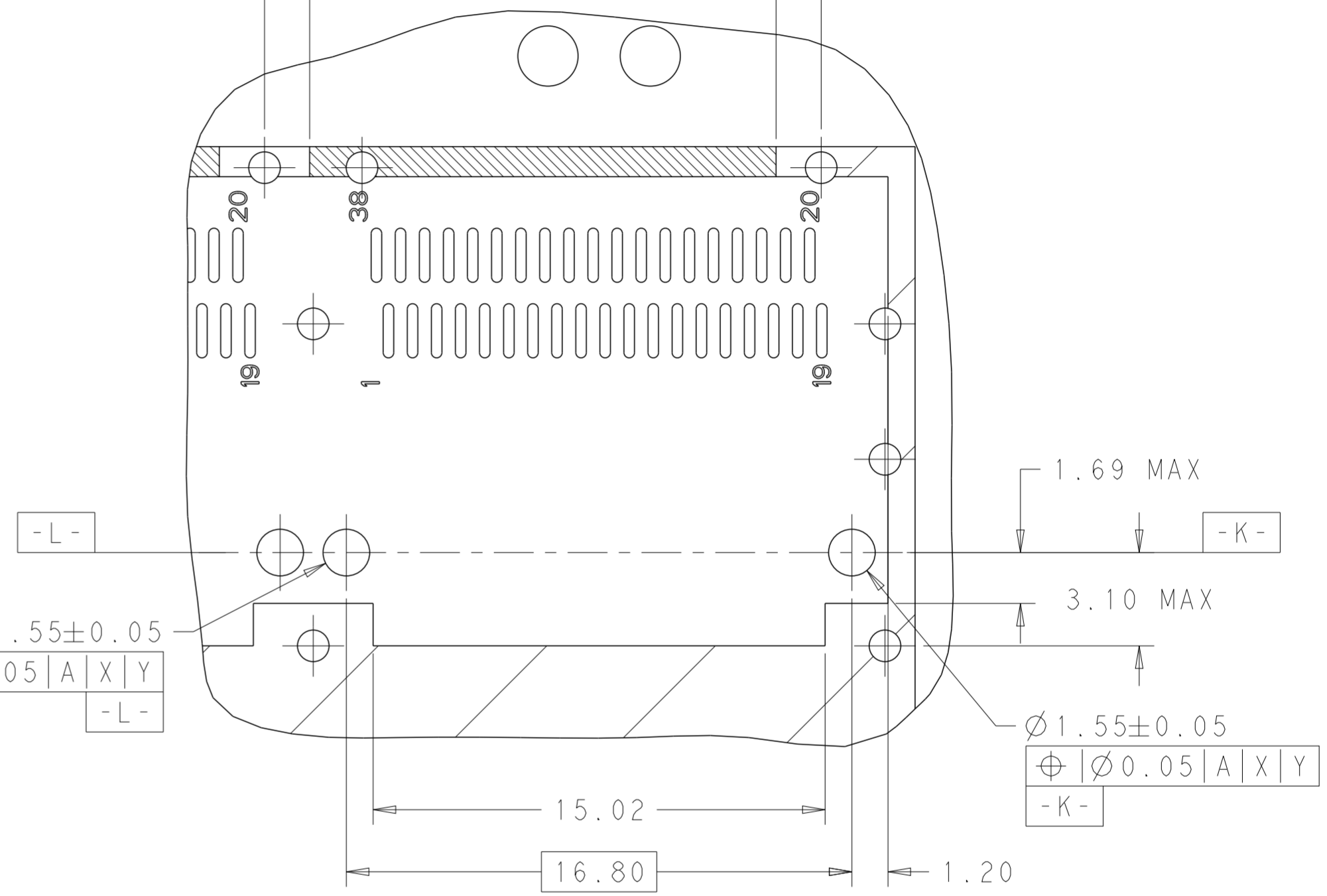
THIS DRAWING IS UNPUBLISHED. RELEASED FOR PUBLICATION 20  
 © COPYRIGHT 20 BY - ALL RIGHTS RESERVED.

LOC		DIST		REVISIONS			
P	LTR	DESCRIPTION	DATE	DWN	APVD		
rev_sym_1	16SEP2014	16SEP2014	rev.date	levy	dwnv	lapp	1
rev_sym_2	rev_desc_2	rev.date	rev.date	levy	dwnv	lapp	2
rev_sym_3	rev_desc_3	rev.date	rev.date	levy	dwnv	lapp	3
rev_sym_4	rev_desc_4	rev.date	rev.date	levy	dwnv	lapp	4



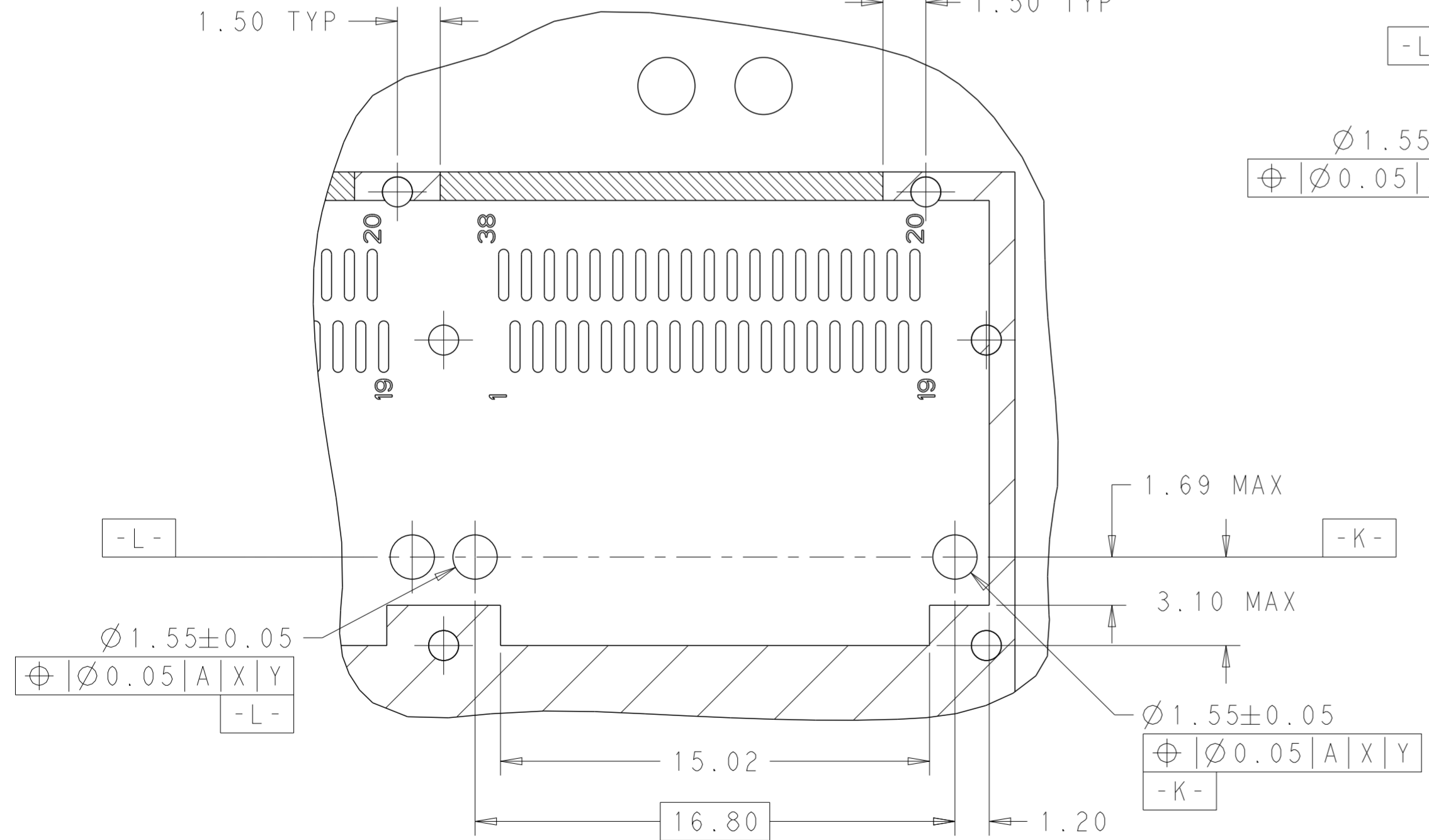
DETAIL D  
SCALE 3:1

1.50 TYP



DETAIL B  
SCALE 6:1

1.50 TYP



DETAIL A  
SCALE 6:1

THIS DRAWING IS A CONTROLLED DOCUMENT.		DWN BING LIU 16SEP2014	 TE Connectivity
DIMENSIONS: mm		CHK JASON YANG 16SEP2014	
TOLERANCES UNLESS OTHERWISE SPECIFIED:		APVD SEAN HAN 26OCT2015	NAME RECEPTACLE CAGE ASSEMBLY WITH LIGHT PIPES, THRU BEZEL, 1X2, QSFP28
0 PLC ±	1 PLC ±0.25	PRODUCT SPEC 108-19428	SIZE A2
2 PLC ±0.2	3 PLC ±	APPLICATION SPEC 114-32023	CAGE CODE 00779
4 PLC ±	ANGLES ±	WEIGHT -	DRAWING NO C-2170813
MATERIAL SEE NOTES material_2	FINISH SEE NOTES finish_spec_2	CUSTOMER DRAWING	RESTRICTED TO -
		SCALE 3:1	SHEET 5 OF 5
		REV A1	