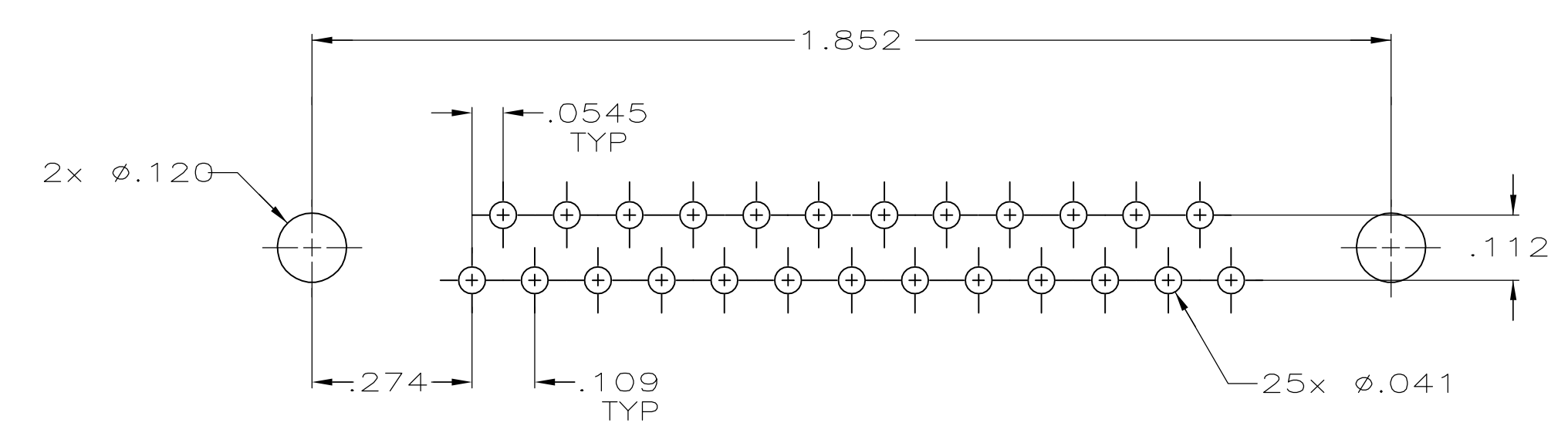
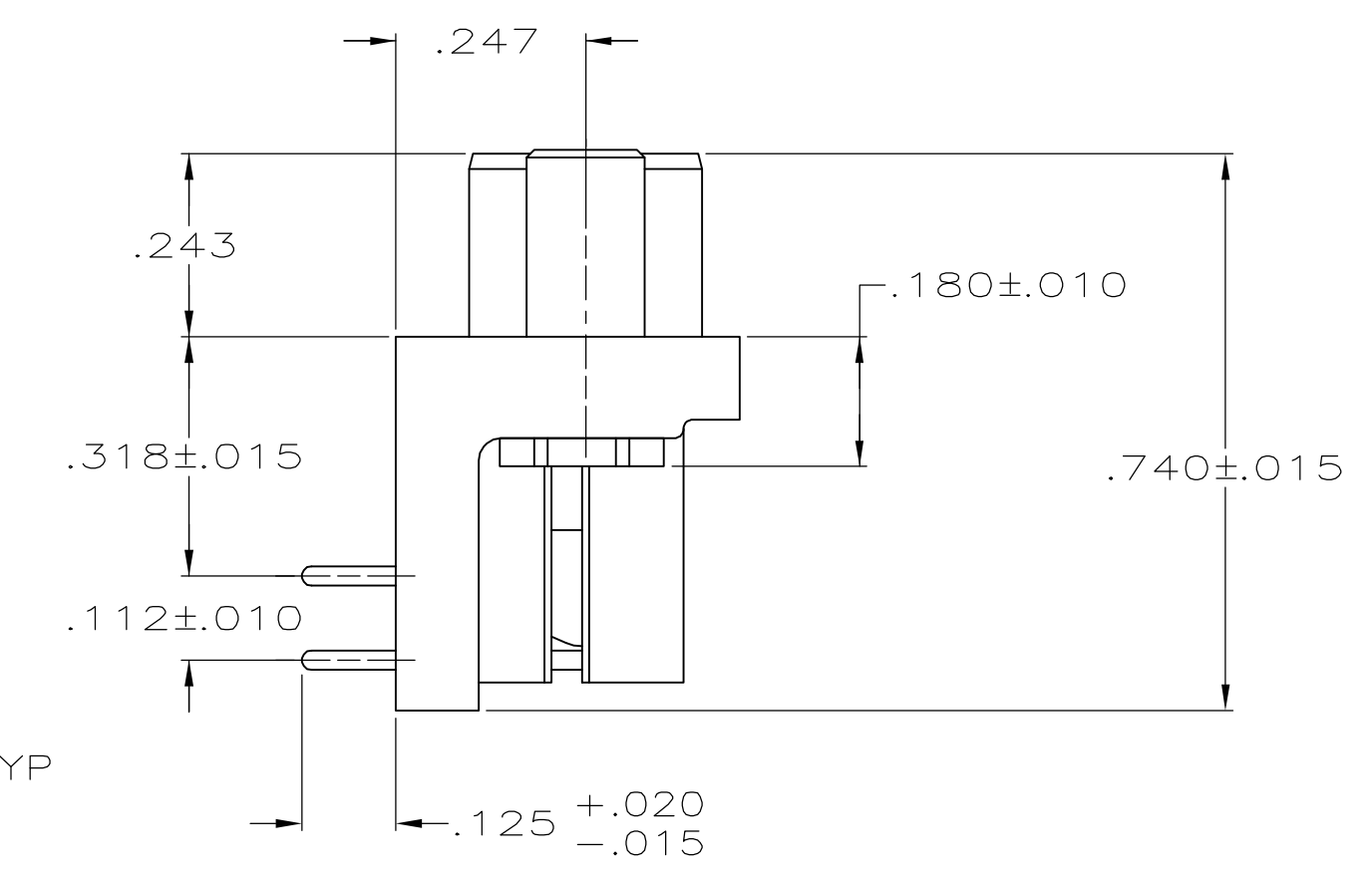
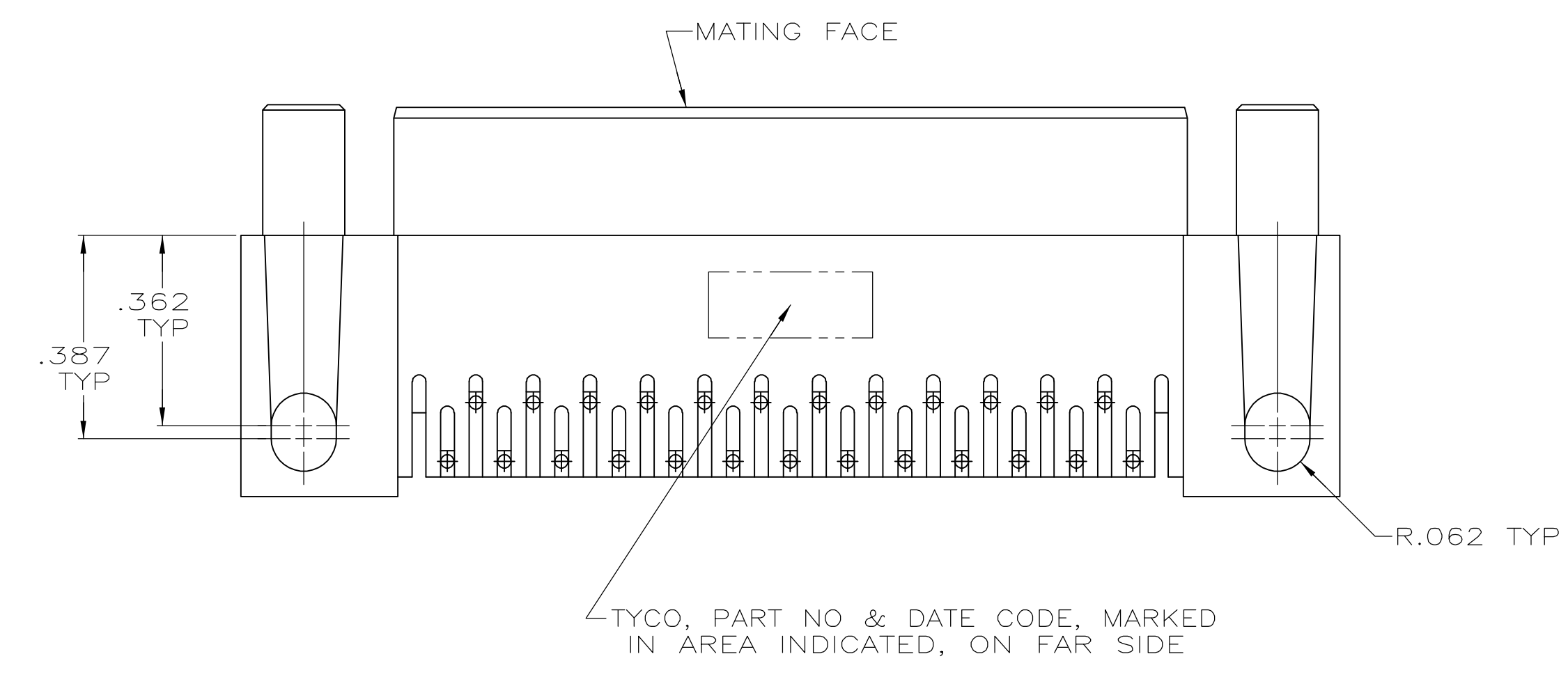


- 1 HOUSING: FLAME RETARDANT, 94V-0 RATED, GLASS FILLED NYLON OR POLYESTER, COLOR: BLACK.
CONTACTS: PHOS. BRONZE.
SCREWLOCKS: ZINC.
- 2 REFER TO APPLICATION SPEC FOR RECOMMENDED P.C. BOARD MOUNTING DIMENSIONS FOR AUTOMATIC INSERTION.
- 3 CONTACTS: PLATED WITH .000030 MIN GOLD FOR LENGTH OF .055 MIN FROM MATING END, .000100 MIN TIN ON SOLDER END, ALL OVER .000050 MIN NICKEL ON ENTIRE CONTACT.
SCREWLOCKS: CLEAR CHROMATE COATING.



P.C. BOARD MOUNTING DIMENSIONS Δ

**COPYRIGHT 2005
 TYCO ELECTRONICS CORP
 ALL RIGHTS RESERVED**

5745397-2
 PART NUMBER

THIS DRAWING IS A CONTROLLED DOCUMENT.		DWN G. PETERS 15SEP05	Tyco Electronics Corporation Harrisburg, PA 17105-3608
DIMENSIONS: INCHES		CHK S. BOLASH 15SEP05	
TOLERANCES UNLESS OTHERWISE SPECIFIED:		APVD M. WALMSLEY 15SEP05	NAME
0 PLC ± -		PRODUCT SPEC	RECEPTACLE ASSY, SIZE 3, 25 POSN, RIGHT ANGLE, .318 SERIES, .026 DIA POSTS, W/ FEMALE SCREWLOCKS, AMPLIMITE HD-20
1 PLC ± -		APPLICATION SPEC	108-40025
2 PLC ± -		SIZE	114-40015
3 PLC ± .005		DWG CODE	A1
4 PLC ± -		DRAWING NO	00779
ANGLES ± ± °		WEIGHT	-
MATERIAL		CUSTOMER DRAWING	SCALE 4:1
FINISH		SHEET 1 of 1	REV 0