

PART NUMBER

KAD179488

REV.

DATE

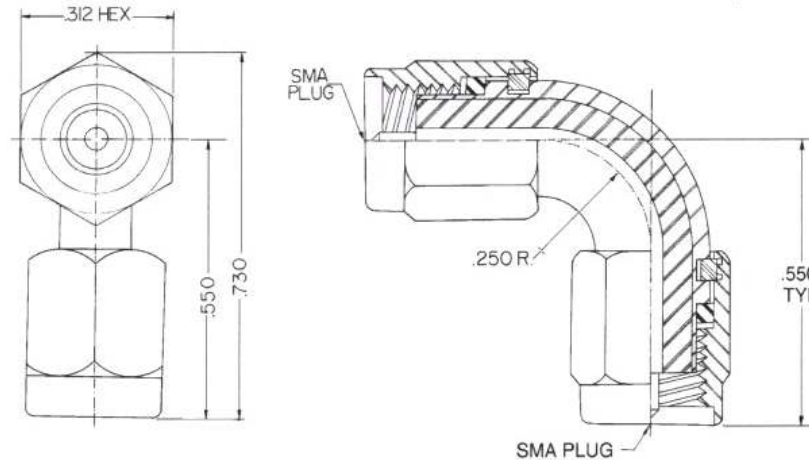
COMMENTS

INITIAL

Electrical Data

Impedance 50 Ω
 Frequency Range DC - 26 GHz.
 VSWR 1.3 @ DC-26 GHz

RoHS Compliant



Drawing not to scale. Dimensions for reference only

Units: inches

Konnect RF

WWW.KONNECTRF.COM
 1-800-790-5887

PART NUMBER

KAD179488

DESCRIPTION

Adapter, In Series, SMA Radius Right Angle Male Plug to Male Plug

CAGE CODE

664U0

SIGNATURE

X

THIS DRAWING INCLUDING THE
 DESIGNS IS THE PROPERTY OF
 KONNECT RF AND IS NOT TO
 BE USED FOR ANY PURPOSE
 WITHOUT OUR APPROVAL.

Component

Body & Coupling Nut
 Center Contact
 Insulator

Material

Stainless Steel
 BeCu
 PTFE

Plating/Finish

Passivated
 Gold