

Product Specification



Patch Antenna JLT1575S25N4B

Feature

High gain , Compact

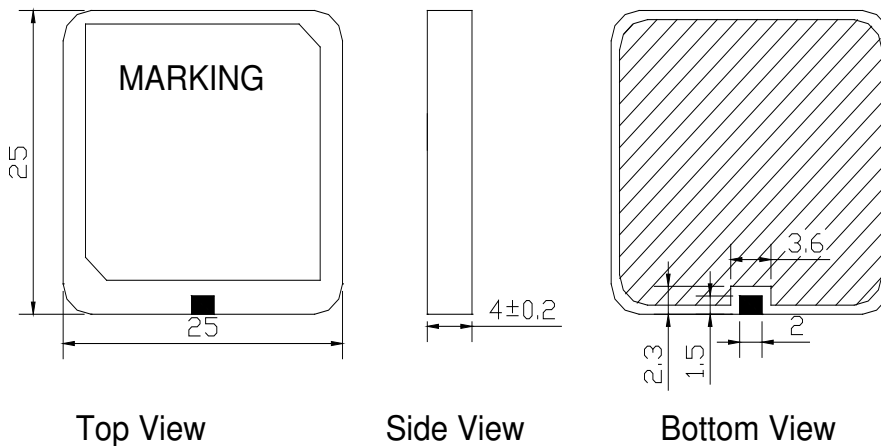
Pin type

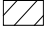

Customization available

Electrical Specification

Frequency Range	1560-1610MHz
VSWR	3.0:1 Typ. 3.5:1Min.
Polarization	RHCP
Gain @ Zenith	2 dBi typ.
Ground plane	50x50 mm
Impedance	50 Ω
Frequency Temperature Coefficient	20 ppm/°C
Operation Temperature Range	-40 ~ +85°C

Mechanical Dawring



 GND
 I/O PORT

Tolerance: ± 0.3
Unit: mm

Product Specification

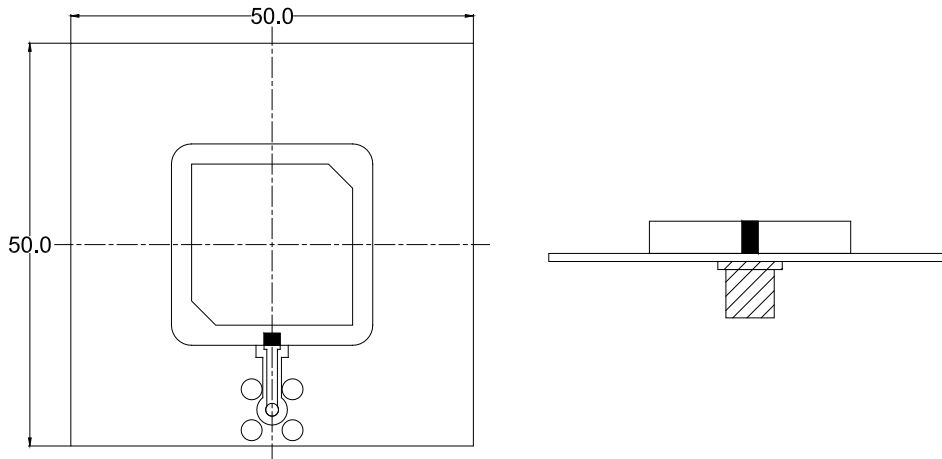


Patch Antenna



JLT1575S25N4B

Test Fixture



Characteristics

