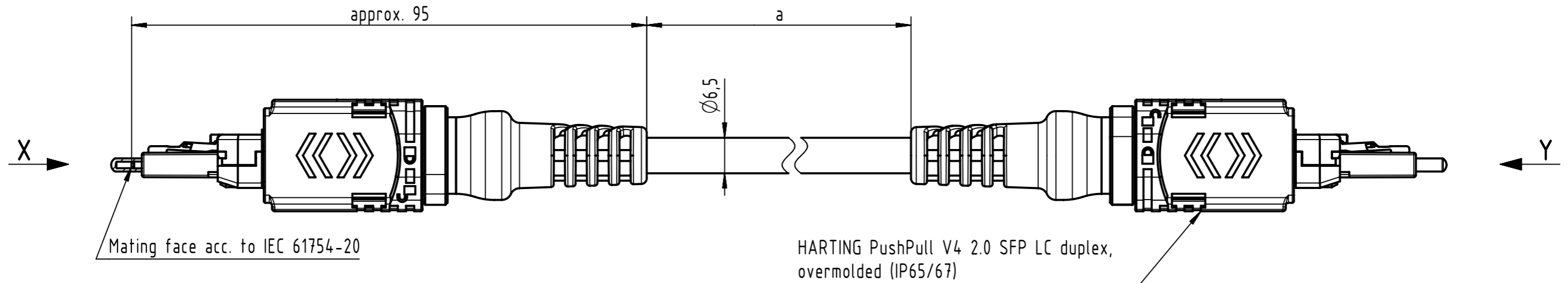
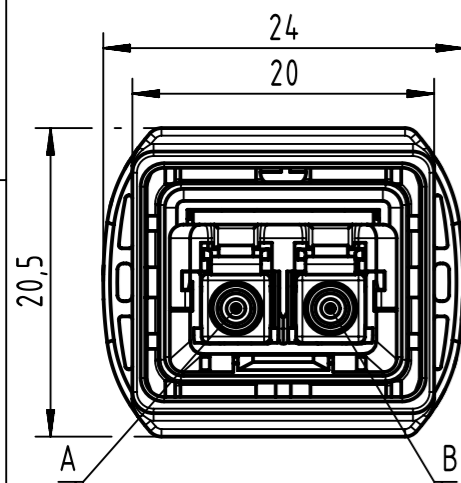


Connector Location A

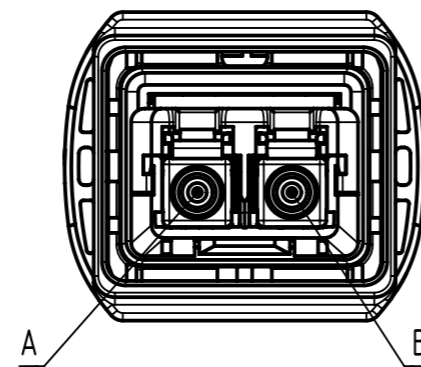
Connector Location B



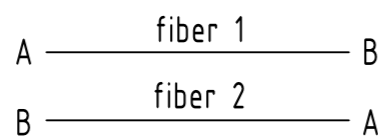
X  
male  
(without protection cap)



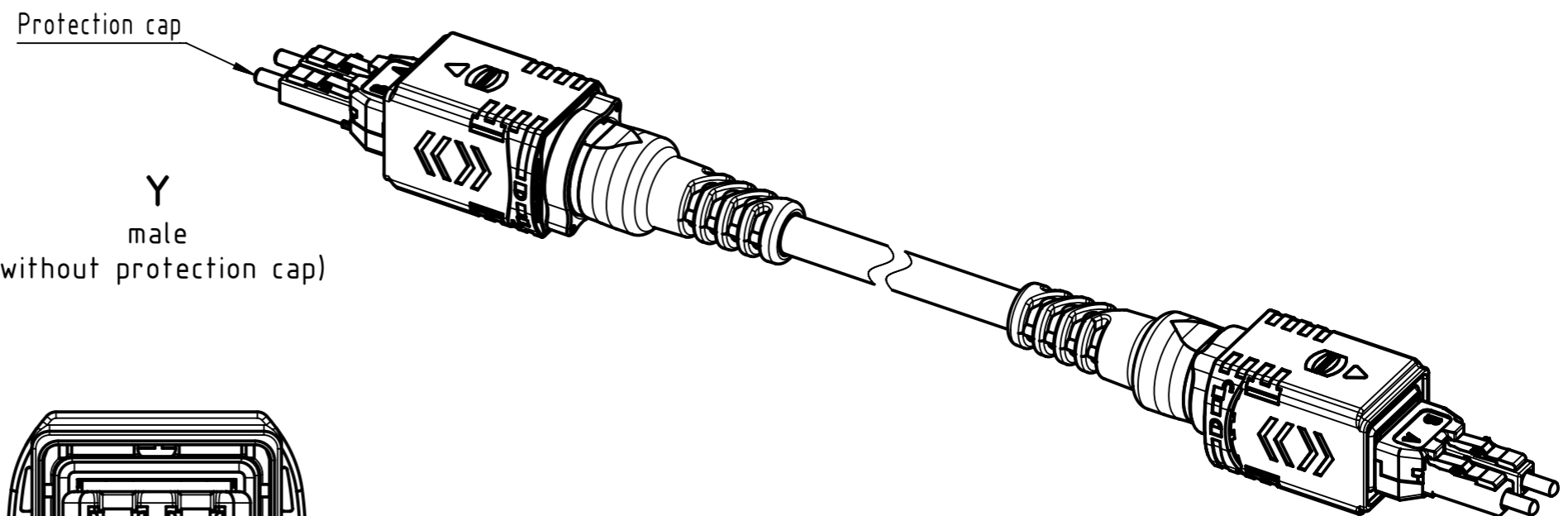
Y  
male  
(without protection cap)




Loading Plan



- Temperature range: -40°C ... +85°C



	All rights reserved		Created by 402676 Gross		Inspected by 405181 Hadar		Standardisation MUNTEANV Muntean		Date 2021-07-22		State Final Release	
	Department HCS - RO		Title FO CA PP2-PP2, 50µ, OM3, PUR		Type TB		Number 3361221XXX0002		Doc-Key / ECM-Nr. 100677808/UGD/006/E 500000199817		Rev. E Page 1/2	
HARTING Customised Solutions D-32339 Espelkamp		Tech. Character.		Free size tol.		According to production drawing						

1	2	3	4	5	6	7	8		
A									
B									
C									
D									
E									
F									
28	33612211500002	FO Breakout Cable, MM, 50/125µm, PUR, black, bend tolerant OM3	150						
27	33612211000002		100						
26	33612210900002		90						
25	33612210800002		80						
24	33612210700002		70						
23	33612210600002		60						
22	33612210500002		50						
21	33612210450002		45						
20	33612210400002		40						
19	33612210350002		35						
18	33612210300002		30						
17	33612210250002		25						
16	33612210200002		20						
15	33612210150002		15						
14	33612210140002		14						
13	33612210130002		13						
12	33612210120002		12						
11	33612210110002		11						
10	33612210100002		10						
9	33612210090002		9						
8	33612210080002		8						
7	33612210070002		7						
6	33612210060002		6						
5	33612210050002		5						
4	33612210040002		4						
3	33612210030002		3						
2	33612210020002		2						
1	33612210010002		1						
Cont. no.	Part no.	Type of cable	Dim. a[m]	 All rights reserved Department HCS - RO HARTING Customised Solutions D-32339 Espelkamp				Tech. Character. Free size tol. According to production drawing	Created by 402676 Gross Inspected by 405181 Hadar Standardisation MUNTEANV Muntean Date 2021-07-22 State Final Release Title FO CA PP2-PP2, 50µ, OM3, PUR Type TB Number 3361221XXX0002 Doc-Key / ECM-Nr. 100677808/UGD/006/E 500000199817 Rev. E Page 2/2
1	2	3	4	5	6	7	8		