



Illuminated Anti-Vandal Pushbutton – 22mm, 25mm, 30mm

## Specifications

Electrical Ratings	2A @ 24VDC 2A @ 125VAC 1A @ 250VAC	Actuation Force	550 ±50gF
Sealing Degree	IP67	Actuation Travel	2.5 ± .3mm
Electrical Life	50,000 cycles typical	Dielectric Strength	2000Vrms min contact to contact 2000Vrms min contact to LED
Contact Resistance	≤ 50mΩ initial	Insulation Resistance	≥ 100MΩ min
		Operating Temperature	-25°C to 70°C
		Storage Temperature	-25°C to 70°C

## Materials

Actuator	Stainless Steel or Anodized Aluminum
LED Lens	Polycarbonate (PC)
Threaded Body	Stainless Steel or Anodized Aluminum
Terminal Support	Polybutylene Terephthalate (PBT)
Inner Switch Body	Polycarbonate (PC)
Contacts	Silver Alloy
Terminals	Brass, Epoxy Sealed
Hardware	One Hex Nut & One “O” Ring Supplied

## Custom Capabilities Contact Factory

### Cable Assemblies



### Shine Through Symbols



### Custom Laser Etching



### Custom Plastic Convex Actuators



## Ordering Information

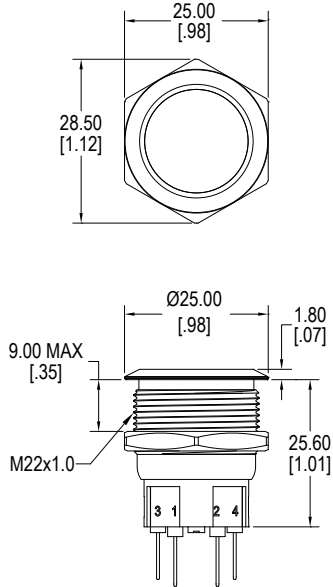
1. Series	DH22	1	N	B	B	R	Z
DH22 - 1 Pole only DH25 DH30 <i>Contact factory for 2 Pole DH22 option</i>							
2. Number of Poles	1 = SPST NO + SPST NC 2 = DPST NO + DPST NC <i>not available with DH22</i>						
3. Bezel Style	Blank = Standard Bezel H = Straight Bezel						
4. Latching Option	N = Momentary L = Latching						
5. Actuator Style:	A = Flush actuator, non-illuminated B = Flush actuator, ring illuminated C = Flush actuator, dot illuminated G = Flush actuator, international standby symbol illuminated EC = Epoxy Convex actuator, <i>contact factory for details</i> MR = Mushroom, red anodized aluminum <i>only available with DH22 &amp; DH25</i> MRC = Mushroom, red anodized aluminum, dot illuminated <i>only available with DH22 &amp; DH25</i>						
6. Switch Finish	B = Black anodized aluminum G = Green anodized aluminum R = Red anodized aluminum S = Brushed stainless steel U = Blue anodized aluminum Y = Yellow anodized aluminum						
7. LED Color	Z = No LED R = Red Y = Yellow G = Green B = Blue W = White O = Orange RGB <i>only available with DH22</i> RO = Red / Orange dual LED RY = Red / Yellow dual LED RG = Red / Green dual LED RB = Red / Blue dual LED OY = Orange / Yellow dual LED OG = Orange / Green dual LED OB = Orange / Blue dual LED YG = Yellow / Green dual LED YB = Yellow / Blue dual LED GB = Green / Blue dual LED * Contact Factory for other LED options						
8. LED Voltage	Z = No LED N = No internal resistor in series with the LED 6 = 6V 12 = 12V 24 = 24V 110 = 110V 220 = 220V						
9. Terminal Option	Blank = .100" Quick Connect, standard T = Screw Terminals, only available with 1 pole <i>not available on DH28</i>						

OPTIONAL Socket Housing available

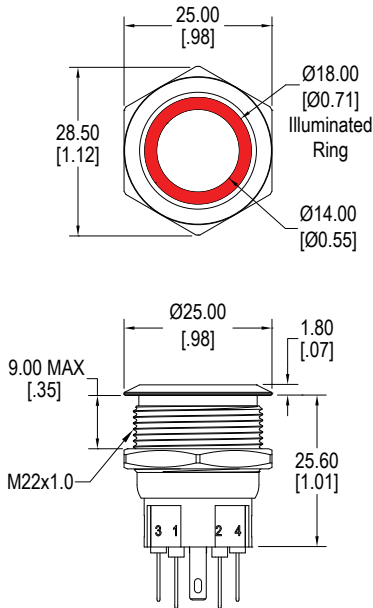
## Dimensions

### 22mm, Single Pole only

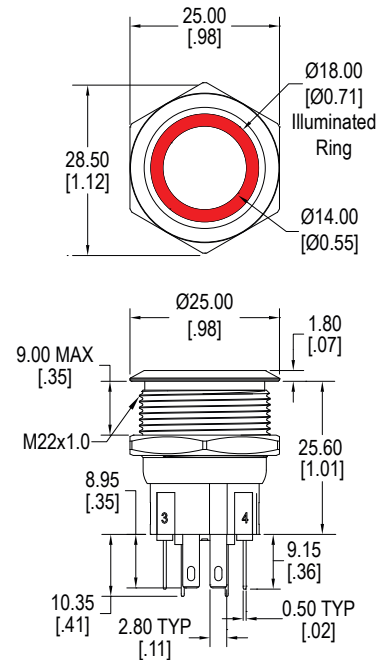
A Actuator, Momentary



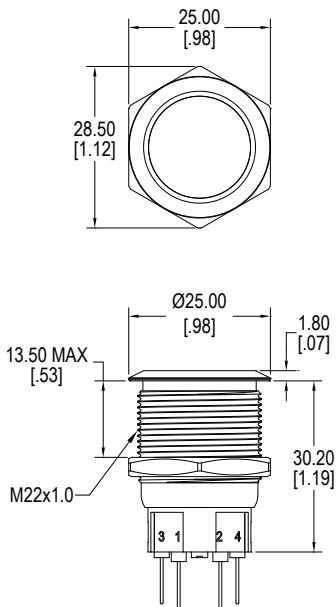
B Actuator, Momentary



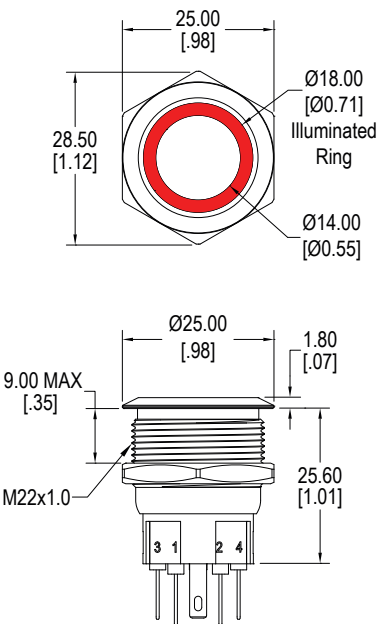
B Actuator, RGB, Momentary



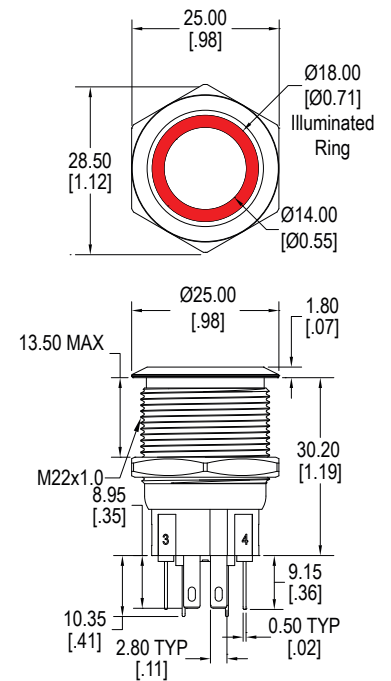
A Actuator, Latching



B Actuator, Latching



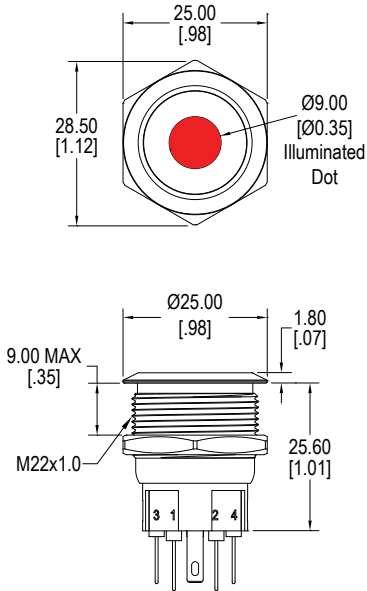
B Actuator, RGB, Latching



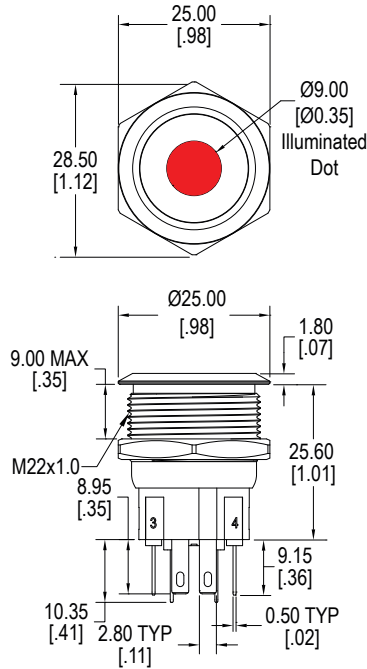
**Dimensions**

22mm, Single Pole only

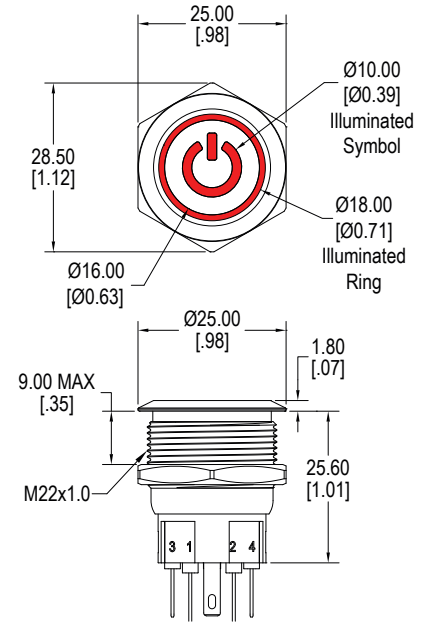
C Actuator, Momentary



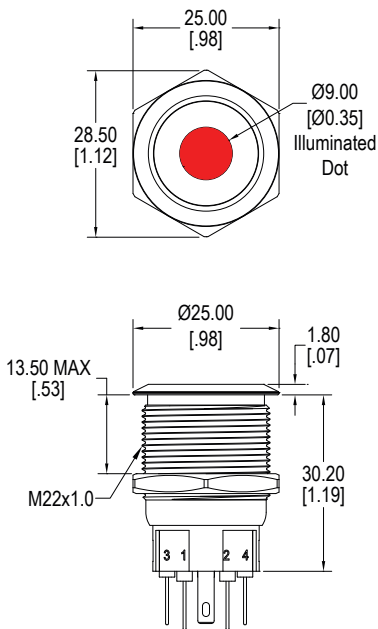
C Actuator, RGB, Momentary



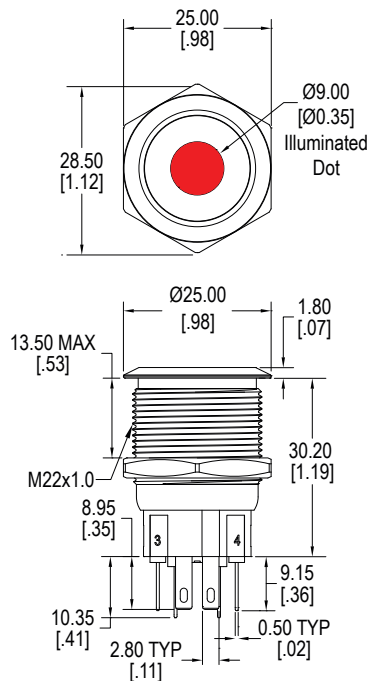
G Actuator, Momentary



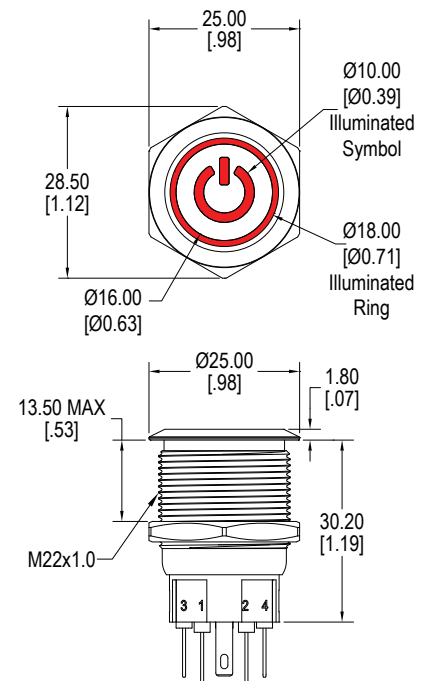
C Actuator, Latching



C Actuator, RGB, Latching



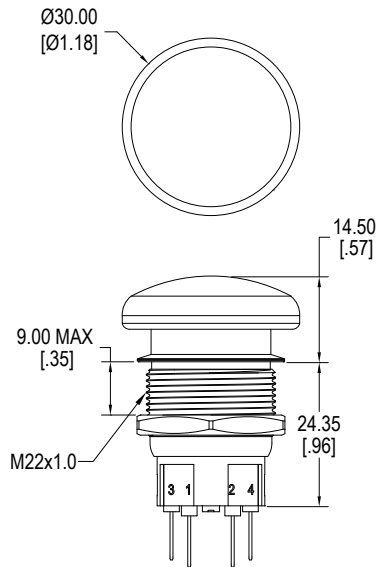
G Actuator, Latching



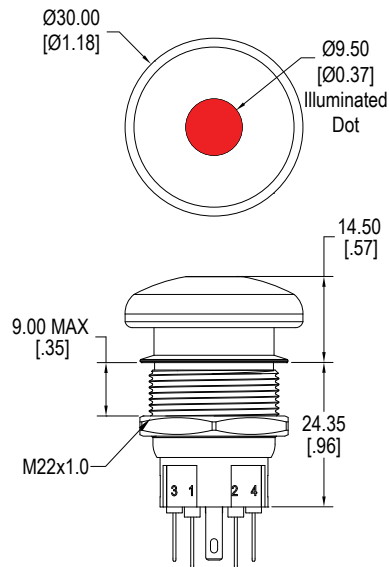
## Dimensions

### 22mm, Single Pole only

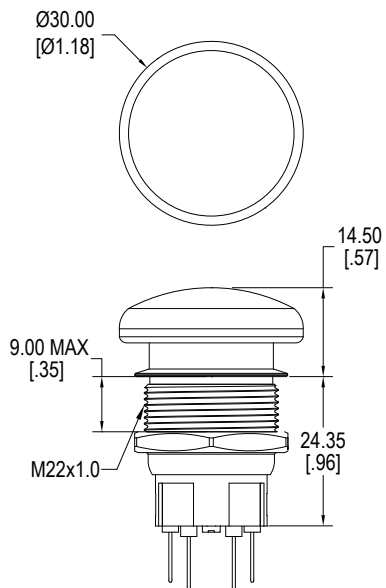
MR Actuator, Momentary



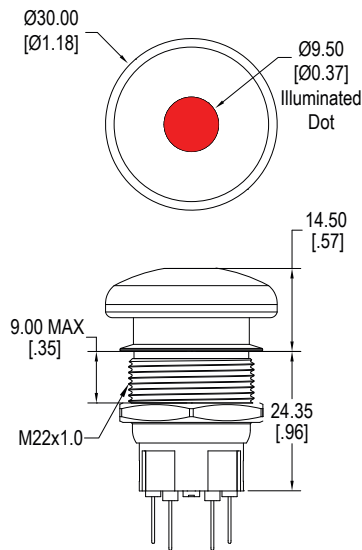
MRC Actuator, Momentary



MR Actuator, Latching



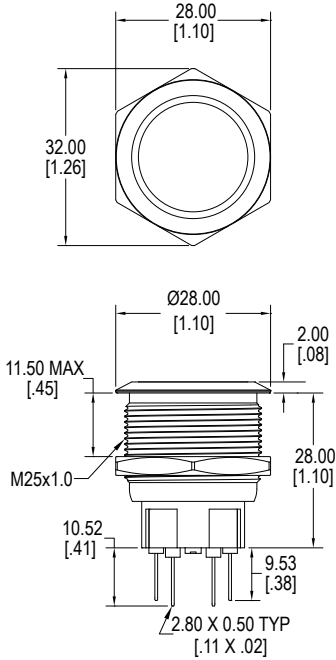
MRC Actuator, Latching



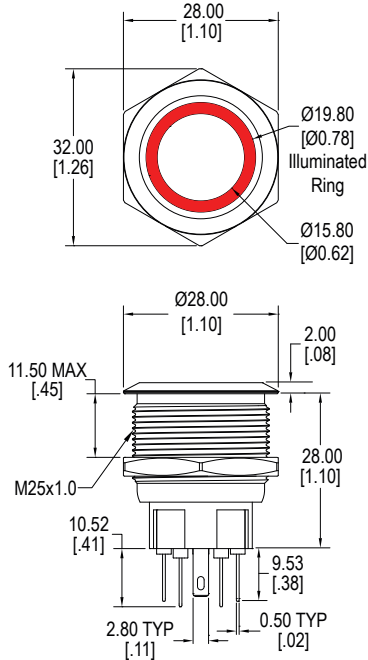
**Dimensions**

**25mm, Single Pole or Double Pole**

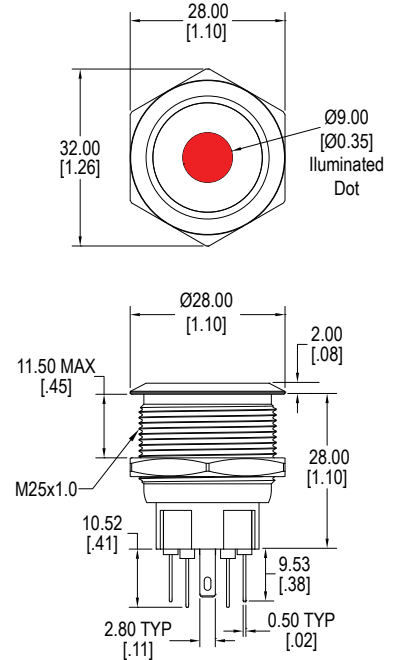
**A Actuator, Momentary**



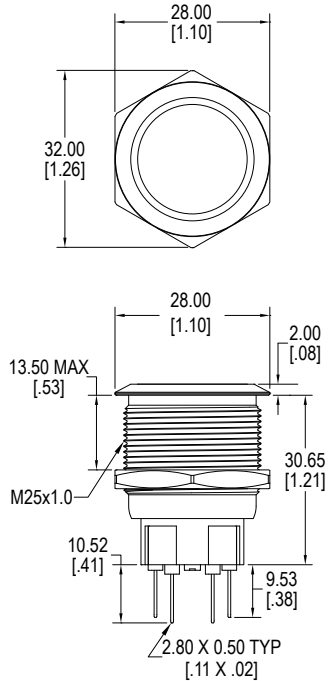
**B Actuator, Momentary**



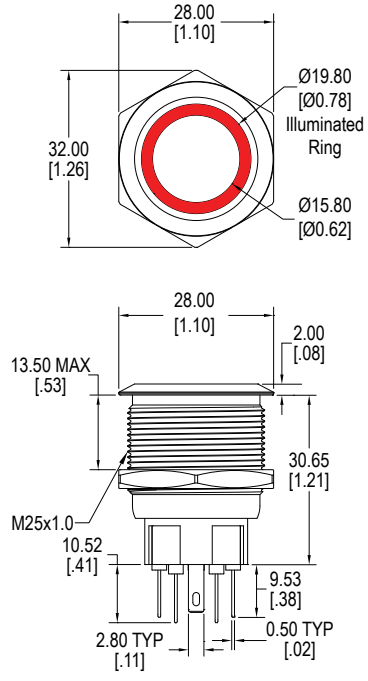
**C Actuator, Momentary**



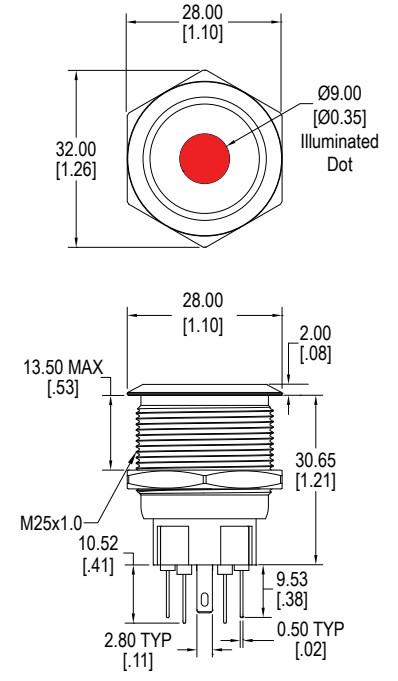
**A Actuator, Latching**



**B Actuator, Latching**



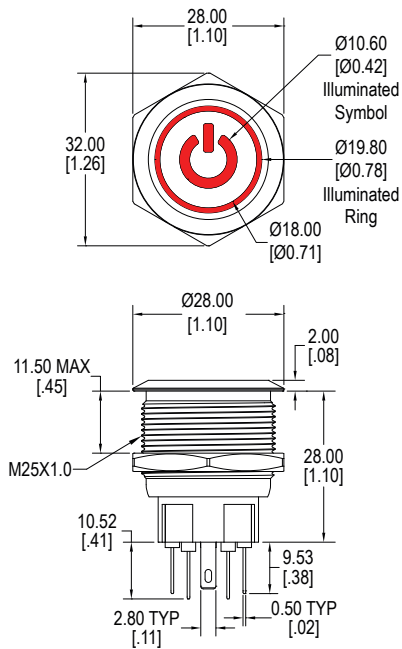
**C Actuator, Latching**



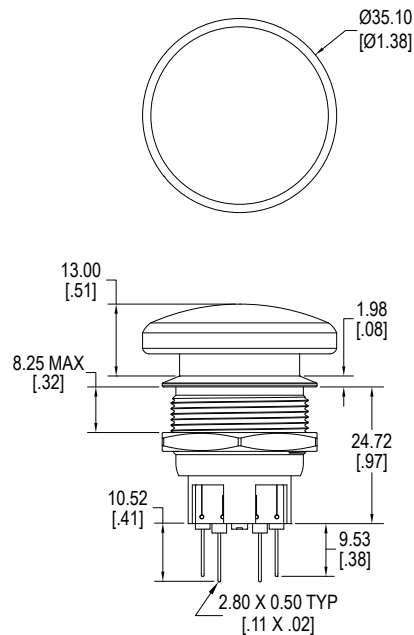
## Dimensions

### 25mm, Single Pole or Double Pole

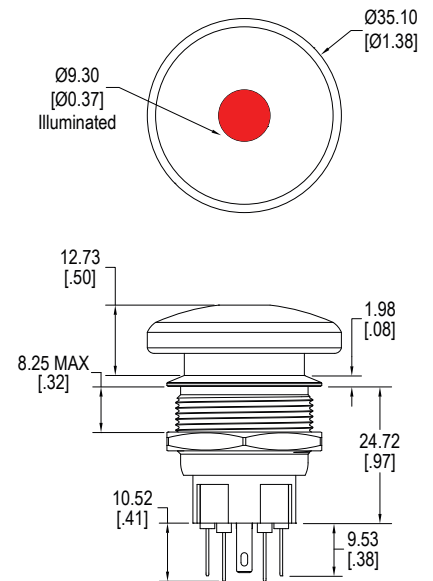
#### G Actuator, Momentary



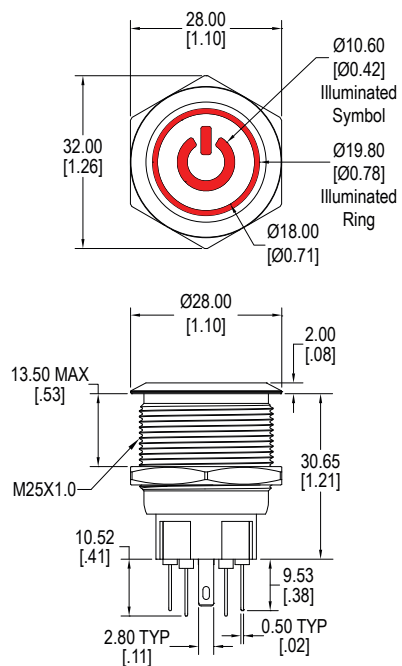
#### MR Actuator, Momentary



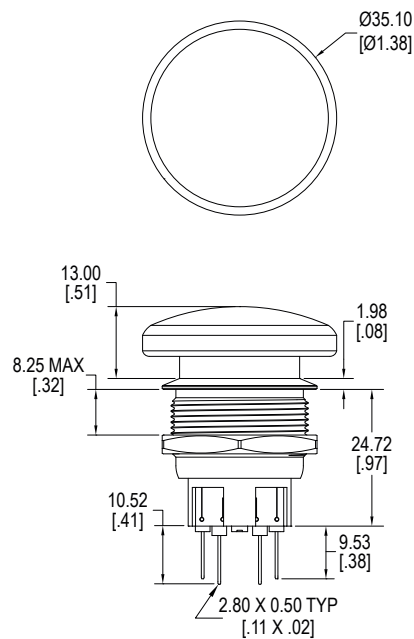
#### MRC Actuator, Momentary



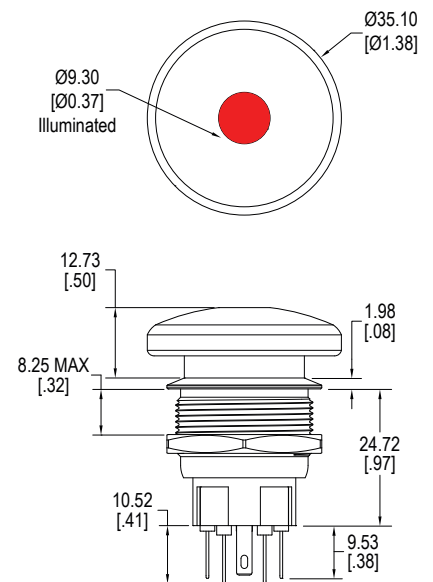
#### G Actuator, Latching



#### MR Actuator, Latching



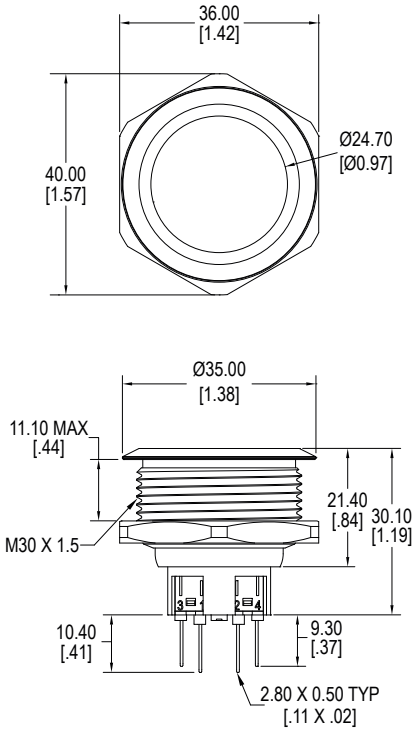
#### MRC Actuator, Latching



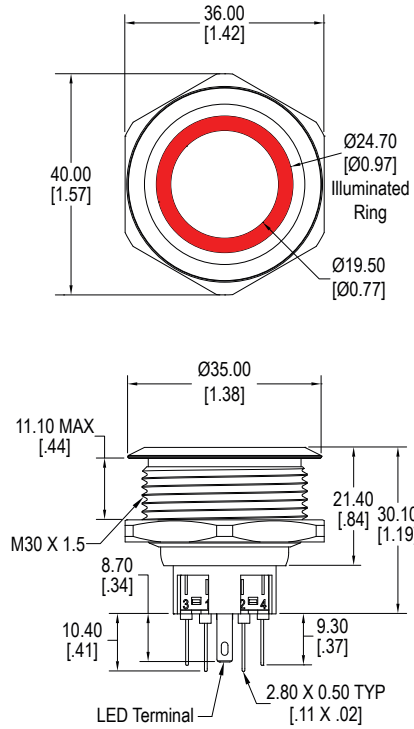
**Dimensions**

**30mm, Single Pole or Double Pole**

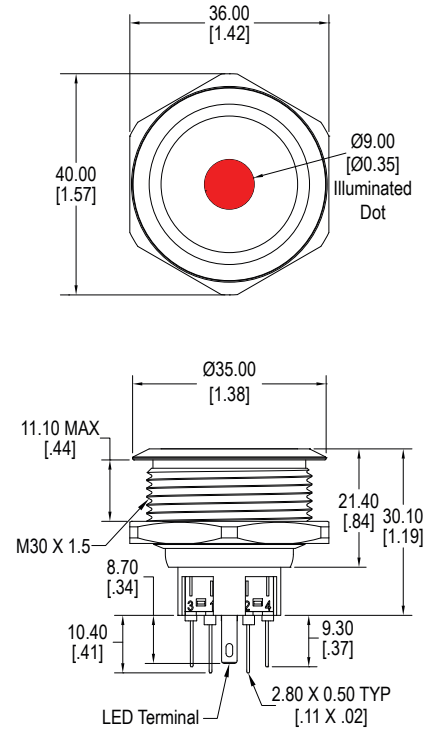
**A Actuator, Momentary**



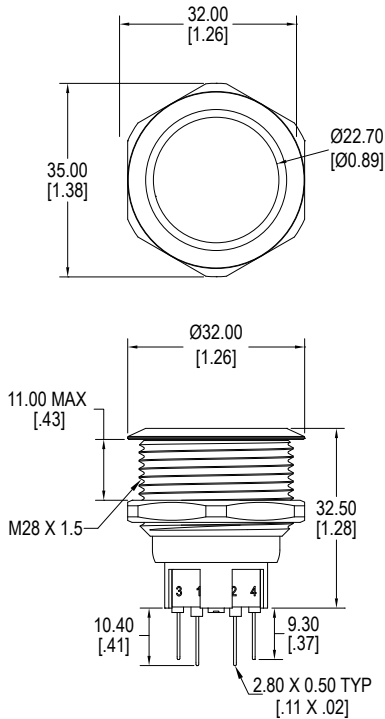
**B Actuator, Momentary**



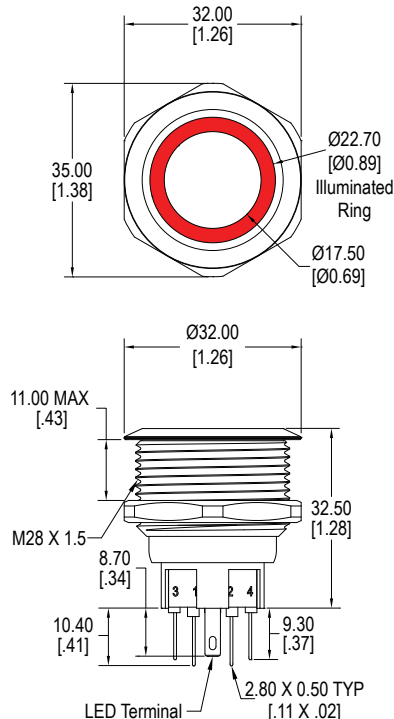
**C Actuator, Momentary**



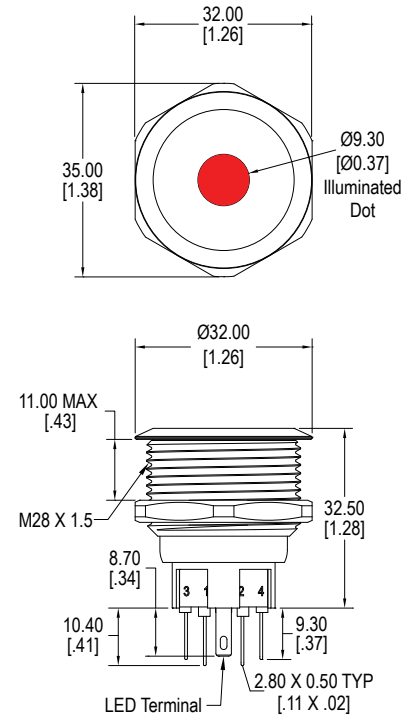
**A Actuator, Latching**



**B Actuator, Latching**



**C Actuator, Latching**

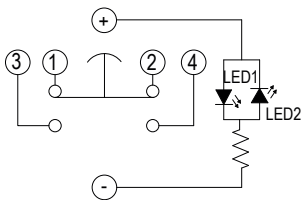




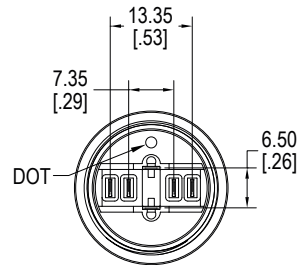
## Schematics

### 22mm - available in Single Pole

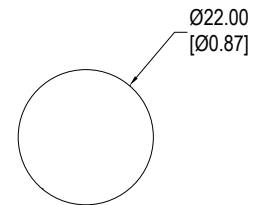
Schematic



Bottom View

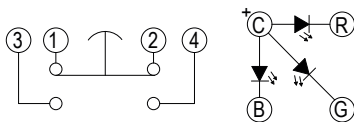


Panel Cutout

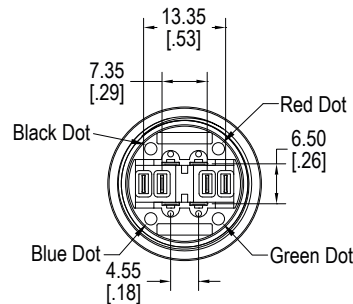


### 22mm RGB- available in Single Pole

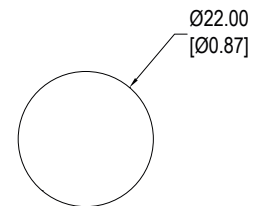
Schematic



Bottom View

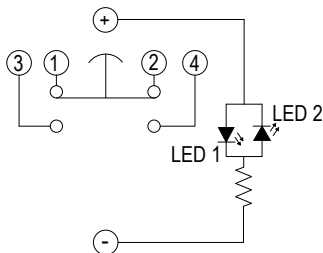


Panel Cutout

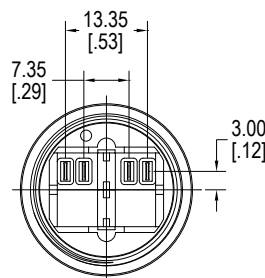


### 25mm - available in Single Pole or Double Pole Single Pole

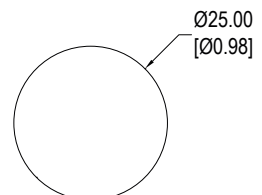
Schematic



Bottom View



Panel Cutout

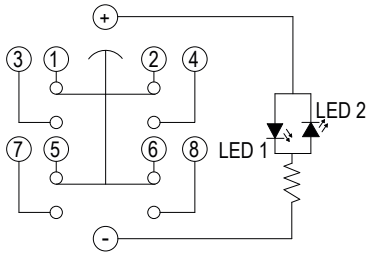


**Schematics**

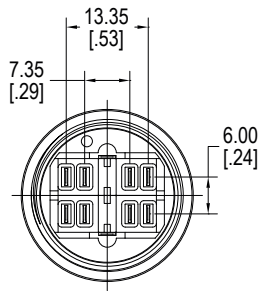
25mm - available in Single Pole or Double Pole

Double Pole

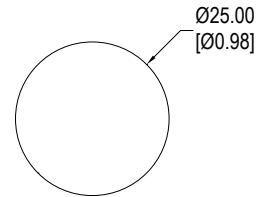
Schematic



Bottom View



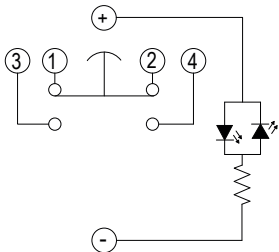
Panel Cutout



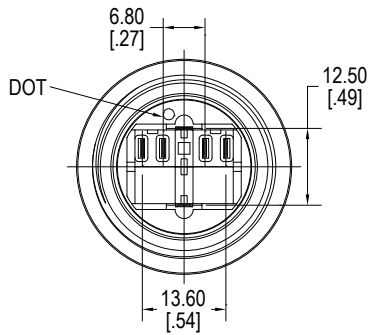
30mm - available in Single Pole or Double Pole

Single Pole

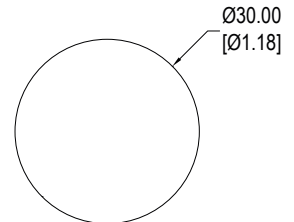
Schematic



Bottom View

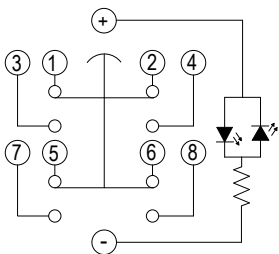


Panel Cutout

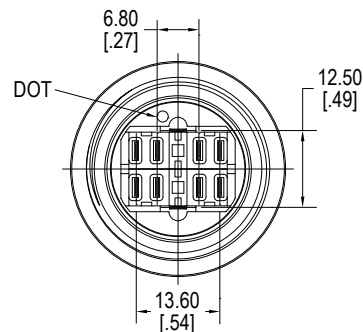


Double Pole

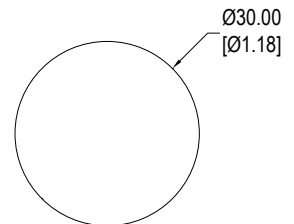
Schematic



Bottom View

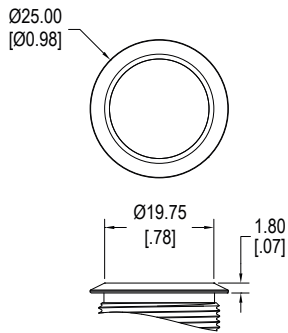


Panel Cutout

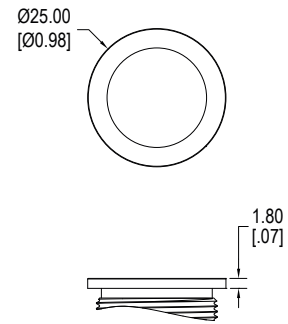


**Bezel Detail**

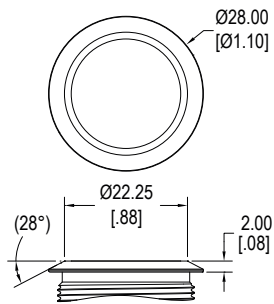
22mm Standard



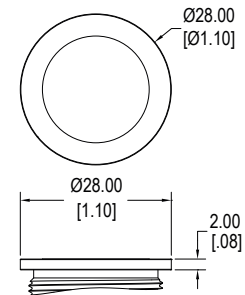
22mm Flat



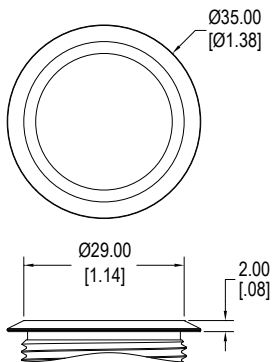
25mm Standard



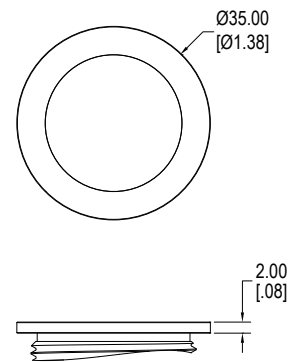
25mm Flat



30mm Standard

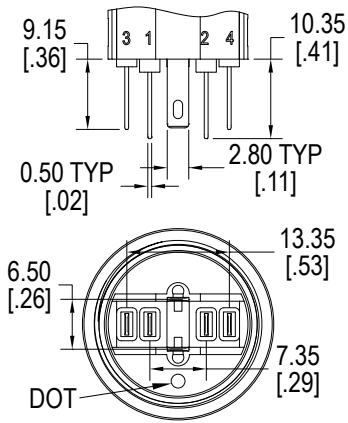


30mm Flat

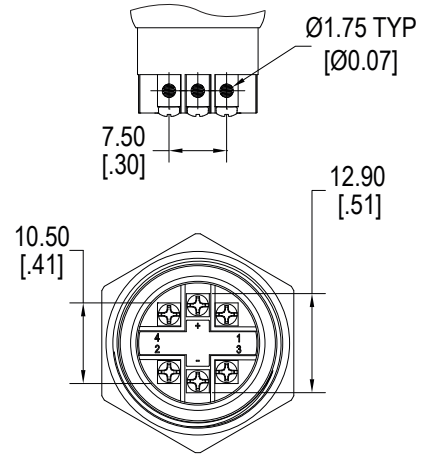


**Terminal Options**

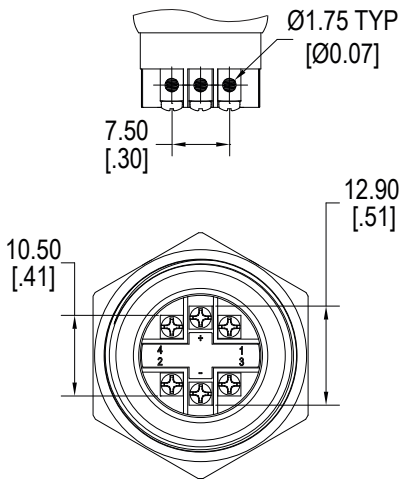
Quick Connect, Standard



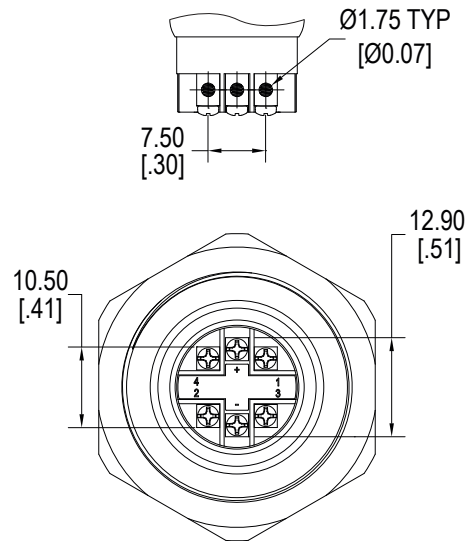
22mm Screw Terminals



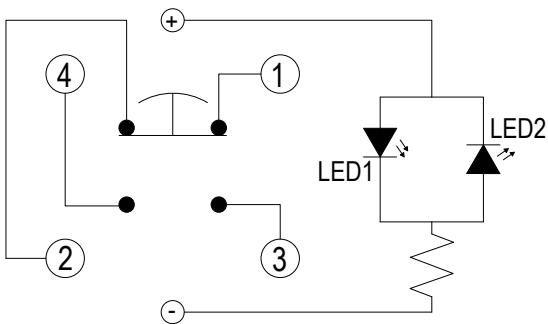
25mm Screw Terminals



30mm Screw Terminals

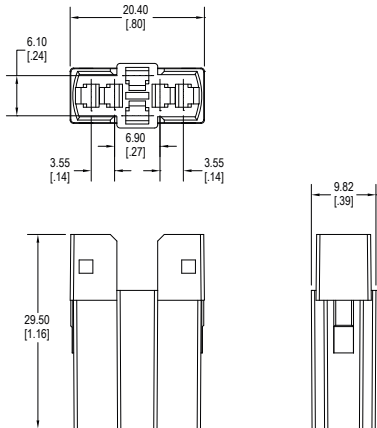


Screw Terminals Schematic

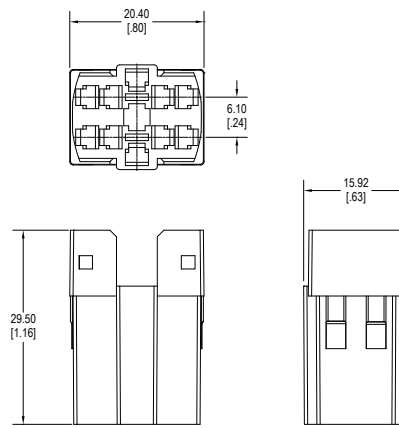


### Optional Terminal Block

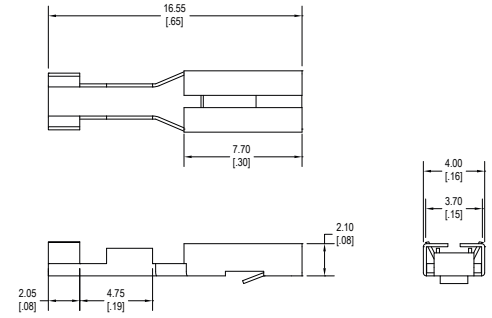
SS2001



SS2203



SS Terminal



### LED Characteristics

LED Ratings		Color						Units
		R	Y	G	B	O	W	
Reverse Voltage	$V_R$	5	5	5	5	5	5	V
Forward Current (peak)	$I_{FS}$	120	120	160	160	120	160	mA
Reverse Current $V_R = 5V$	$I_R$	10	10	10	10	10	10	$\mu A$
Power Dissipation	$P_T$	80	80	120	120	80	120	mW
Forward Voltage (typ) $I_F = 20mA$	$V_F$	2.1	2.1	3.3	3.3	2.0	3.0	V
Luminous Intensity, $I_F = 20mA$	LI	120	120	170	100	120	700	mcd