



DMO SERIES | PCB MOUNT



Features

- Mini-SIP SSR
- Ratings to 3A @ 60 CVD
- MOSFET Output
- DC Control
- Low Open Output

Product Selection

Control Voltage	3A
3-10 VDC	DMO063



SPECIFICATIONS

Output Specifications ⁽¹⁾

Description	DMO
Operating Voltage Range (47-63Hz) [Vdc]	0-60
Maximum Off-State Leakage Current @ Rated Voltage [μA]	100
Maximum Load Current [Adc]	3.0
Minimum Load Current [Adc]	0
Maximum Surge Current [Adc]	12 (10ms)
Maximum On-State Voltage Drop @ Rated Current	0.4 ⁽²⁾
Maximum Power Factor (with Maximum Load)	0.5

Input Specifications ⁽¹⁾

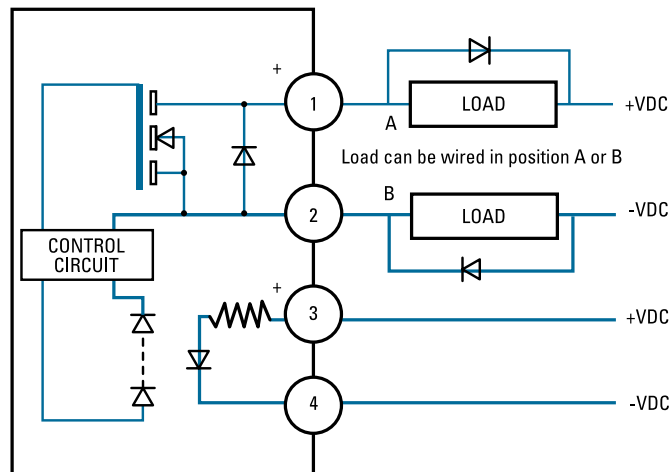
Description	DM0063
Control Voltage Range	3-10 VDC
Must Turn On Voltage	3.0 VDC
Must Turn Off Voltage	1.0 VDC
Typical Input Current @5 VDC	20 mAdc
Nominal Input Impedance	270 Ohm
Maximum Turn-On Time [μsec]	50
Maximum Turn-Off Time [μsec]	300

General Specifications

Description	Parameters
Dielectric Strength, Input/Output/Base (50/60Hz) ⁽³⁾	2500 Vrms
Minimum Insulation Resistance (@500 VDC) ⁽³⁾	10 ⁹ Ohm
Maximum Capacitance, Input/Output	8 pF
Ambient Operating Temperature Range	-30° to 80°C
Ambient Storage Temperature Range	-30° to 125°C
Weight (typical)	0.15 oz. (4.3 g)
Encapsulation	Thermally Conductive Epoxy



WIRING DIAGRAM ⁽⁴⁾

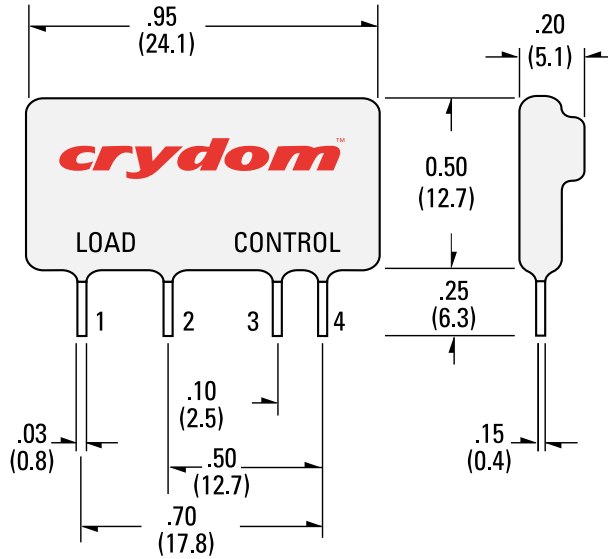




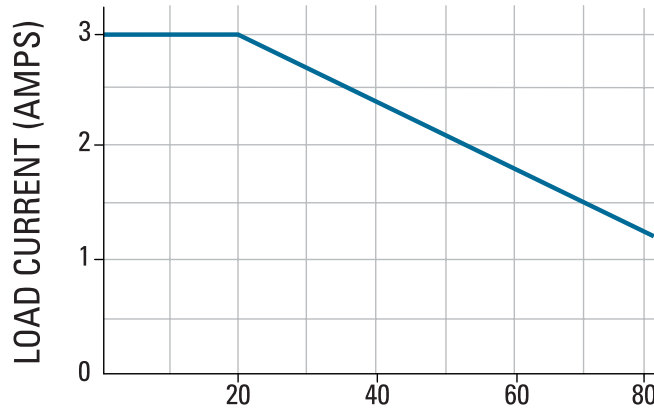
MECHANICAL SPECIFICATIONS

Tolerances: ± 0.02 in / ± 0.5 mm

All dimensions are in inches [millimeters]



THERMAL DERATE INFORMATION



AMBIENT TEMPERATURE (°C)

DMO Max. Load Current vs.Temp



ORDERING OPTIONS

Example : DMO 063

FET Output, 3 Amp Load Current

Series	DMO	063
DMO: FET Output		
Required for Valid Part Number		
Load Current		
063: 3 Amps		
Required for Valid Part Number		



GENERAL NOTES

- (1) All parameters at 25°C unless otherwise specified.
- (2) Typical On-State Resistance = 0.13 ohms
- (3) Dielectric and insulation resistance are measured between input and output.
- (4) Inductive loads should be diode suppressed.

For additional information or specific questions, contact Sensata Technical Support.



AGENCY APPROVALS & CERTIFICATIONS



- Designed in accordance with the requirements of IEC 62314



WARNINGS



RISK OF MATERIAL DAMAGE AND HOT ENCLOSURE

- The product's side panels may be hot, allow the product to cool before touching
 - Follow proper mounting instructions including torque values
 - Do not allow liquids or foreign objects to enter this product
- Failure to follow these instructions can result in serious injury, or equipment damage.**



HAZARD OF ELECTRIC SHOCK, EXPLOSION OR ARC FLASH

- Disconnect all power before installing or working with this equipment
 - Verify all connections and replace all covers before turning on power
- Failure to follow these instructions will result in death or serious injury.**

Sensata Technologies, Inc. ("Sensata") data sheets are solely intended to assist designers ("Buyers") who are developing systems that incorporate Sensata products (also referred to herein as "components"). Buyer understands and agrees that Buyer remains responsible for using its independent analysis, evaluation and judgment in designing Buyer's systems and products. Sensata data sheets have been created using standard laboratory conditions and engineering practices. Sensata has not conducted any testing other than that specifically described in the published documentation for a particular data sheet. Sensata may make corrections, enhancements, improvements and other changes to its data sheets or components without notice.

Buyers are authorized to use Sensata data sheets with the Sensata component(s) identified in each particular data sheet. HOWEVER, NO OTHER LICENSE, EXPRESS OR IMPLIED, BY ESTOPPEL OR OTHERWISE TO ANY OTHER SENSATA INTELLECTUAL PROPERTY RIGHT, AND NO LICENSE TO ANY THIRD PARTY TECHNOLOGY OR INTELLECTUAL PROPERTY RIGHT, IS GRANTED HEREIN. SENSATA DATA SHEETS ARE PROVIDED "AS IS". SENSATA MAKES NO WARRANTIES OR REPRESENTATIONS WITH REGARD TO THE DATA SHEETS OR USE OF THE DATA SHEETS, EXPRESS, IMPLIED OR STATUTORY, INCLUDING ACCURACY OR COMPLETENESS. SENSATA DISCLAIMS ANY WARRANTY OF TITLE AND ANY IMPLIED WARRANTIES OF MERCHANTABILITY, FITNESS FOR A PARTICULAR PURPOSE, QUIET ENJOYMENT, QUIET POSSESSION, AND NON-INFRINGEMENT OF ANY THIRD PARTY INTELLECTUAL PROPERTY RIGHTS WITH REGARD TO SENSATA DATA SHEETS OR USE THEREOF.

All products are sold subject to Sensata's terms and conditions of sale supplied at www.sensata.com SENSATA ASSUMES NO LIABILITY FOR APPLICATIONS ASSISTANCE OR THE DESIGN OF BUYERS' PRODUCTS. BUYER ACKNOWLEDGES AND AGREES THAT IT IS SOLELY RESPONSIBLE FOR COMPLIANCE WITH ALL LEGAL, REGULATORY AND SAFETY-RELATED REQUIREMENTS CONCERNING ITS PRODUCTS, AND ANY USE OF SENSATA COMPONENTS IN ITS APPLICATIONS, NOTWITHSTANDING ANY APPLICATIONS-RELATED INFORMATION OR SUPPORT THAT MAY BE PROVIDED BY SENSATA.

Mailing Address: Sensata Technologies, Inc., 529 Pleasant Street, Attleboro, MA 02703, USA.

CONTACT US

Americas

+1 (877) 502 5500 – Option 2

sales.crydom@sensata.com

Europe, Middle East & Africa

+44 (1202) 416170

ssr-info.eu@sensata.com

Asia Pacific

sales.isasia@list.sensata.com

China +86 (21) 2306 1500

Japan +81 (45) 277 7117

Korea +82 (31) 601 2004

India +91 (80) 67920890

Rest of Asia +886 (2) 27602006
ext 2808