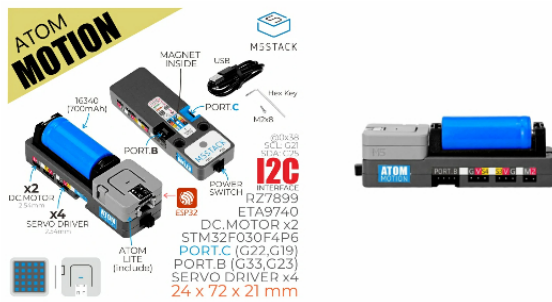


ATOM Motion

SKU:K053



Description

ATOM Motion is a steering gear & DC motor drive base designed for the ATOM device series. It has an integrated STM32 control chip with an I2C communication control mode suitable for device communication. The base includes 4-channel steering gear and 2-channel DC motor interface. Integrated 16340 lithium battery (with capacity of 700mAh). Two-way HY2.0-4P interface expansion and 4 LED out pins which can be used to connect some sensors and expansion equipment. Suitable for multi-steering gear/motor control scenarios, such as multi-axis steering gear manipulator control or trolley motor drive.

Product Features

- 4 channel servo control
- 2 channel DC motor control
- Removable lithium battery
- Magnetic back design
- Independent power switch
- 2 way HY2.0-4P expansion interface

Include

- 1x ATOM Lite
- 1x ATOM Motion
- 1x M2 screw driver
- 1x M2*8 cup head screws
- 1x TYPE-C USB Cable (20cm)

Applications

- DC motor trolley control
- Steering gear arm control

Specification

Specification	Parameter
Removable lithium battery	Specification: 16340, capacity 700mAh
Interface PIN spacing	2.54mm
Net weight	40g
Gross weight	77.1g
Product Size	24*72*21mm
Package dimensions<	95 x 65 x 25mm

EasyLoader

EasyLoader is a simple and fast program burner, which has a built-in product-related case program, which can

PinMap

I2C Interface

ATOM	G21	G25
ATOM Motion	SCL	SDA

HY2.0-4P

ATOM	G23, G33	G22, G19
ATOM Motion	PORT-B(Black)	PORT-C(Blue)

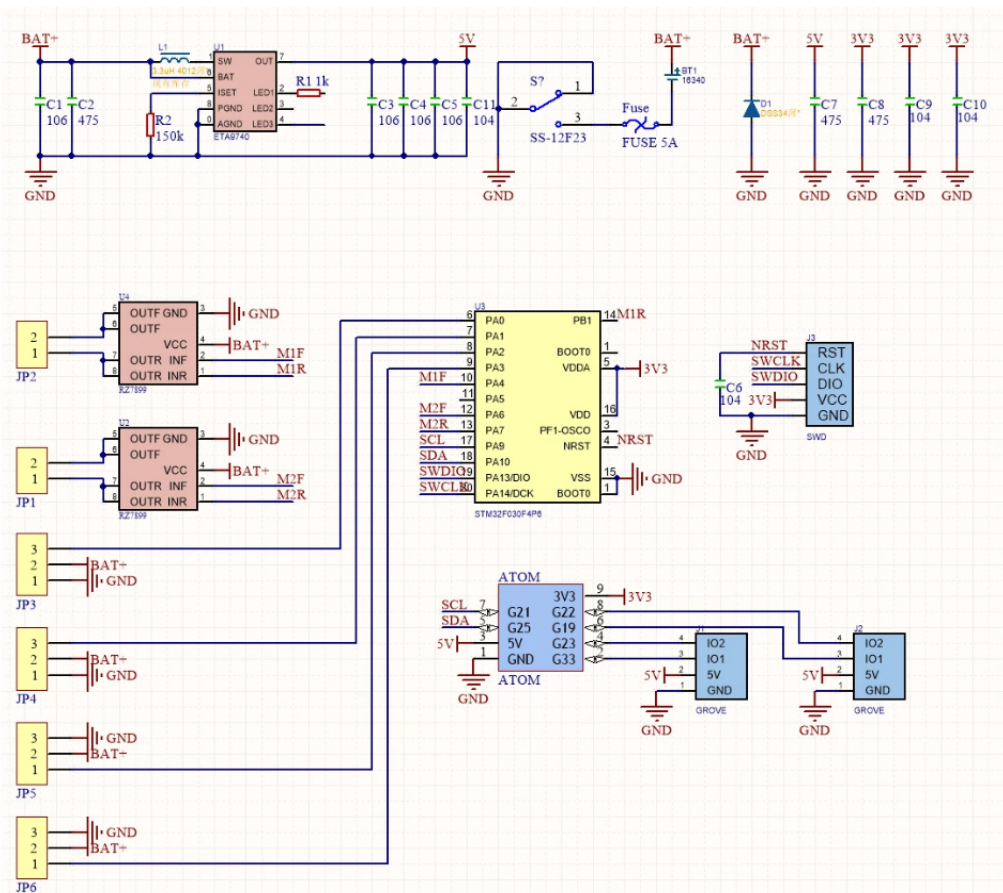
Protocol

Protocol type I2C

I2C Address: **0x38**

Function	Reg Address	Data Range	R/W
Servo[1~4]	0x00~0x03	angle: 0-180	R/W
Servo[1~4]	0x10, 0x12, 0x14, 0x16	pulse: 500-2500	R/W
Motor[1~2]	0x20~0x21	speed: -127-127	R/W

Schematic



Example

1. Arduino

[Click here to download the Arduino example](#)

PURCHASE

