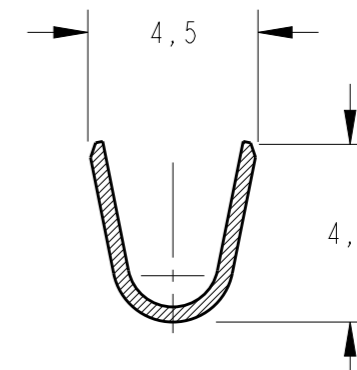
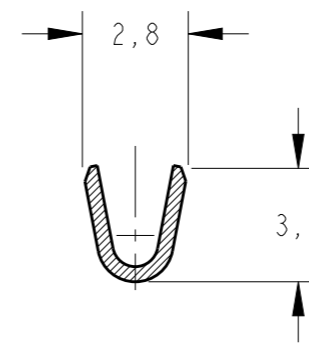
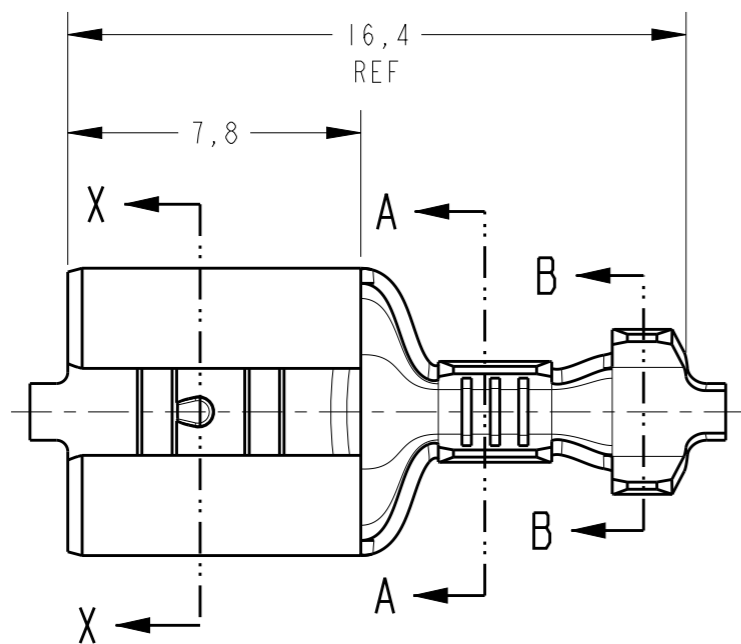
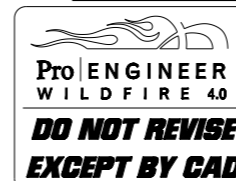


LOC AP DIST -

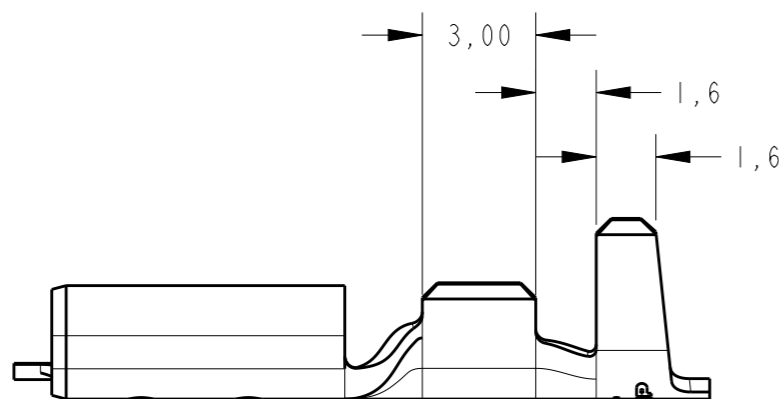
REVISIONS

P	LTR	DESCRIPTION	DATE	DWN	APVD
A3		REDRAW BY CAD ECO-12-014149	21AUG2012	NCL	DAO
A4		REVISED BY ECO 16-003723	29JUN2016	HC	WLS
A5		REVISED BY ECO 17-018083	08DEC2017	HC	WLS



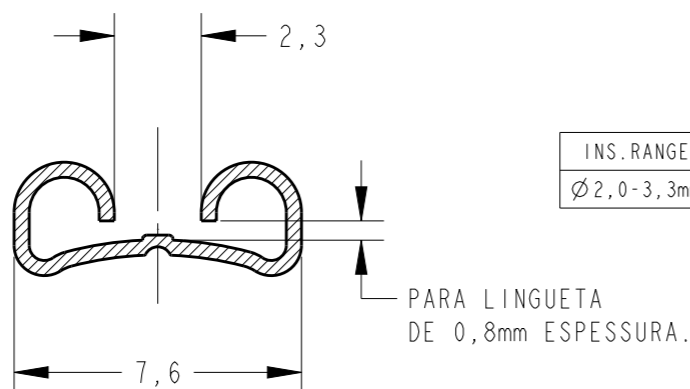
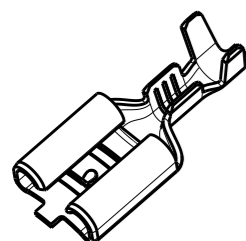
SECTION A-A SCALE 5:1

SECTION B-B SCALE 5:1



△ - 1-880683-2 ITEM MANUFACTURED ONLY IN ARGENTINA

INS. RANGE	WIRE RANGE	LOOSE PIECE PN	FINISH	MATERIAL	PART NUMBER
Ø 2,0-3,3mm	0,5-1,0mm ²	—	—	BRONZE FOSF./PHOS.BRONZE	880683 - 6
—	—	—	—	LATÃO / BRASS	880683 - 5
—	—	—	—	BRONZE FOSF./PHOS.BRONZE	880683 - 4
—	—	—	—	BRONZE FOSF./PHOS.BRONZE	880683 - 3
—	—	1-880683-2 △	ESTANHADO / TIN PLATED	LATÃO / BRASS	880683 - 2
—	—	—	—	LATÃO / BRASS	880683 - 1



SECTION X-X SCALE 5:1

PERSPECTIVE VIEW SCALE 2:1

THIS DRAWING IS A CONTROLLED DOCUMENT.

DIMENSIONS: mm	TOLERANCES UNLESS OTHERWISE SPECIFIED:
0 PLC	±0,3
1 PLC	±0,3
2 PLC	±0,3
3 PLC	±0,3
4 PLC	±0,3
ANGLES	±1°
MATERIAL	SEE TABLE
FINISH	SEE TABLE

DWN NCLAPRESA 11 JUL 2012
 CHK JRGOLDSCHMIDT 11 JUL 2012
 APVD DAOLIVEIRA 11 JUL 2012



NAME -			
PRODUCT SPEC -			
APPLICATION SPEC -			
SIZE A3	CAGE CODE 00779	DRAWING NO C-880683	RESTRICTED TO -
Customer Drawing		SCALE 5:1	SHEET 1 OF 1 REV A5