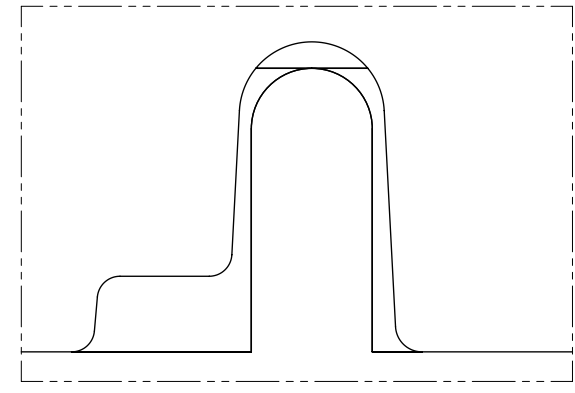
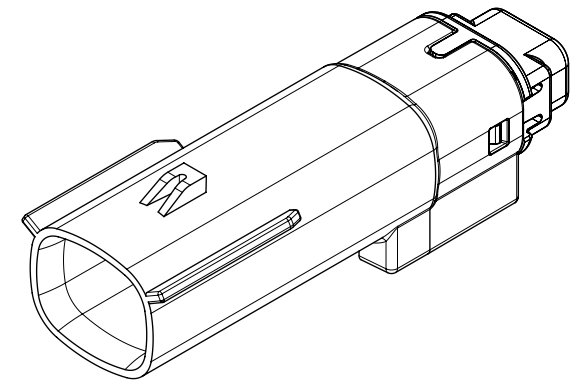


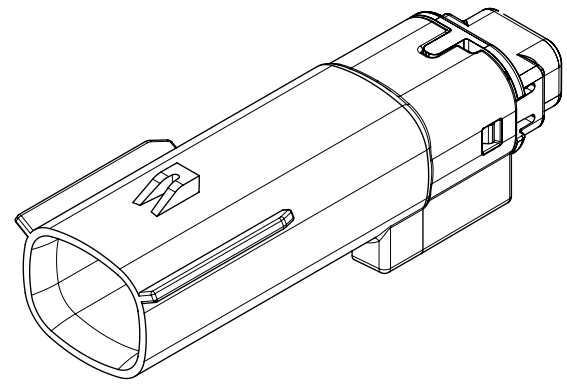
SHEET DESCRIPTION
CONFIGURATIONS



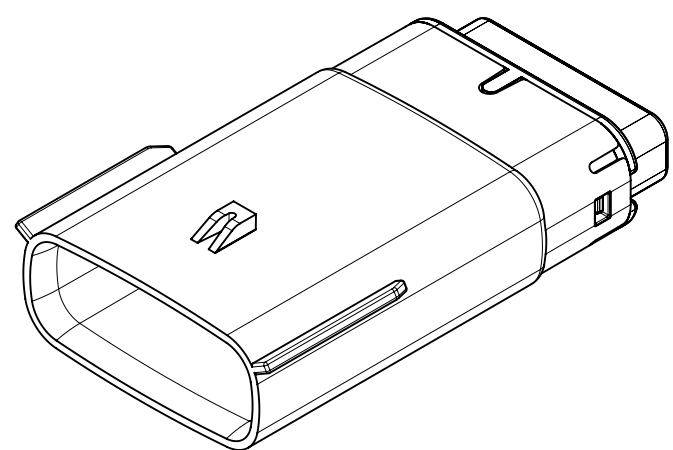
UL V0 UNIQUE FEATURE
Partial1
SCALE 10:1



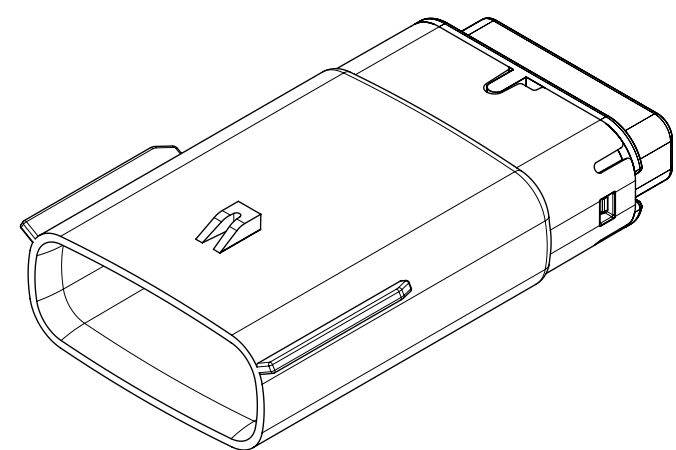
1x2 - STD



1X2 - UL V0*



1x6 - STD

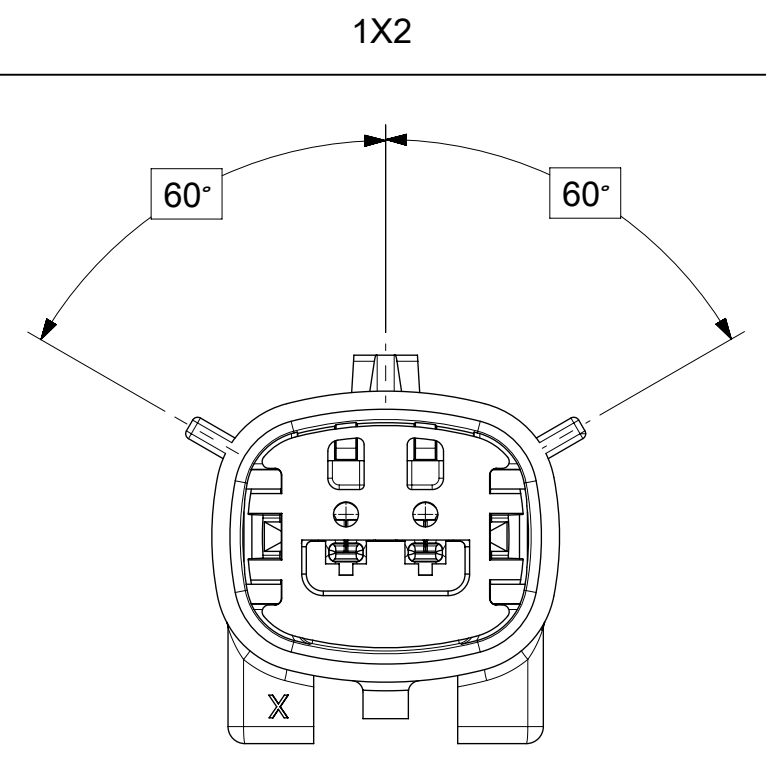


1x6 - UL V0*

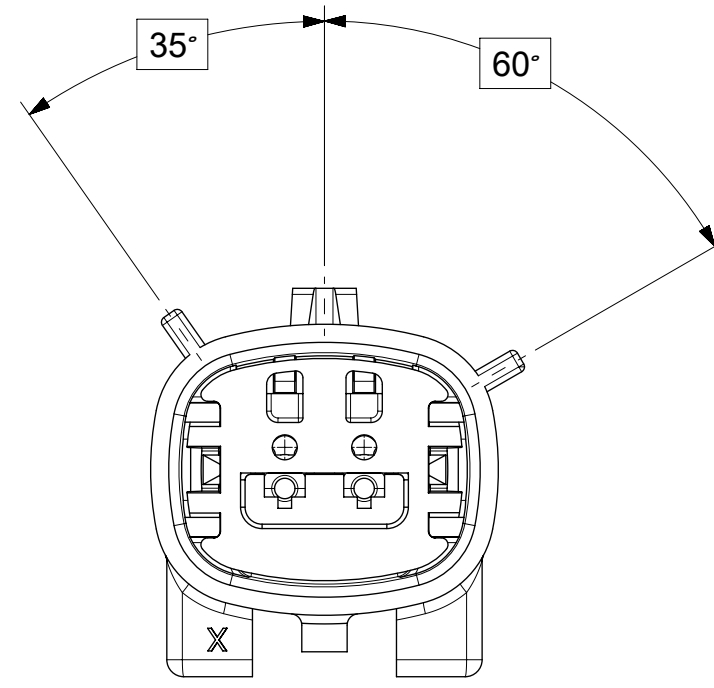
* MINOR GEOMETRY DIFFERENCE THAN STANDARD CONFIGURATION.
SEE NOTES 1 & 2 FOR MORE INFORMATION

SYMBOLS = 0 = 0 = 0 = 0 = 0 = 0 = 0 = 0 = 0 = 0	THIS DRAWING CONTAINS INFORMATION THAT IS PROPRIETARY TO MOLEX ELECTRONIC TECHNOLOGIES, LLC AND SHOULD NOT BE USED WITHOUT WRITTEN PERMISSION		CURRENT REV DESC:		 MX150 BLADE SINGLE ROW SEALED ASSY MAT SEAL						
	DIMENSION UNITS	SCALE	EC NO: 602373					DOCUMENT NUMBER	DOC TYPE	DOC PART	REVISION
	MM ONLY	1.5:1	DRWN: DSHETTY01 2018/05/25		SD-33481-0001	PSD	001	A1			
	GENERAL TOLERANCES (UNLESS SPECIFIED)		CHK'D: MVANSLAMBROU 2018/10/04		PRODUCT CUSTOMER DRAWING						
	ANGULAR TOL ± 1.0°		APPR: MVANSLAMBROU 2018/10/04		INITIAL REVISION:						
	4 PLACES ±		DRWN: APROFFITT 2015/07/21		MATERIAL NUMBER						
	3 PLACES ±		APPR: KDEKOSKI 2016/06/14		CUSTOMER						
	2 PLACES ± 0.1		DRWN: APROFFITT 2015/07/21		SEE NOTE 2a.						
	1 PLACE ± 0.2		APPR: KDEKOSKI 2016/06/14		GENERAL MARKET						
	0 PLACES ±		DRAFT WHERE APPLICABLE MUST REMAIN WITHIN DIMENSIONS		THIRD ANGLE PROJECTION		DRAWING		SERIES		SHEET NUMBER
				A1-SIZE		33481		2 OF 9			

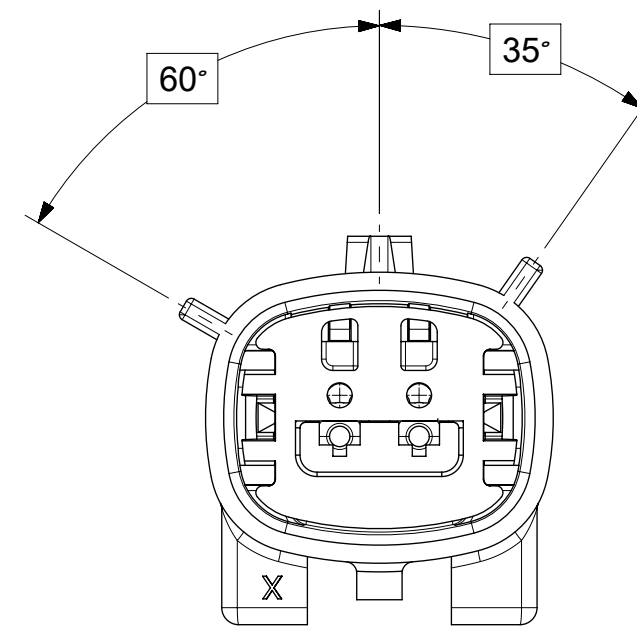
SHEET DESCRIPTION
KEY CONFIGURATIONS



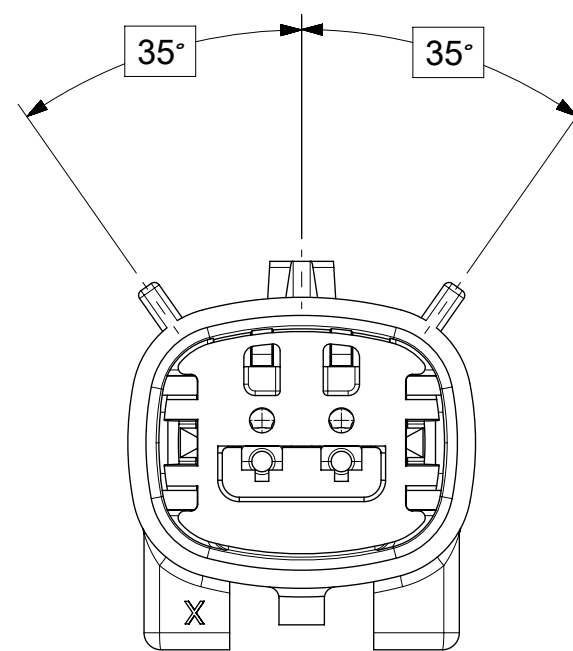
KEY A



KEY B



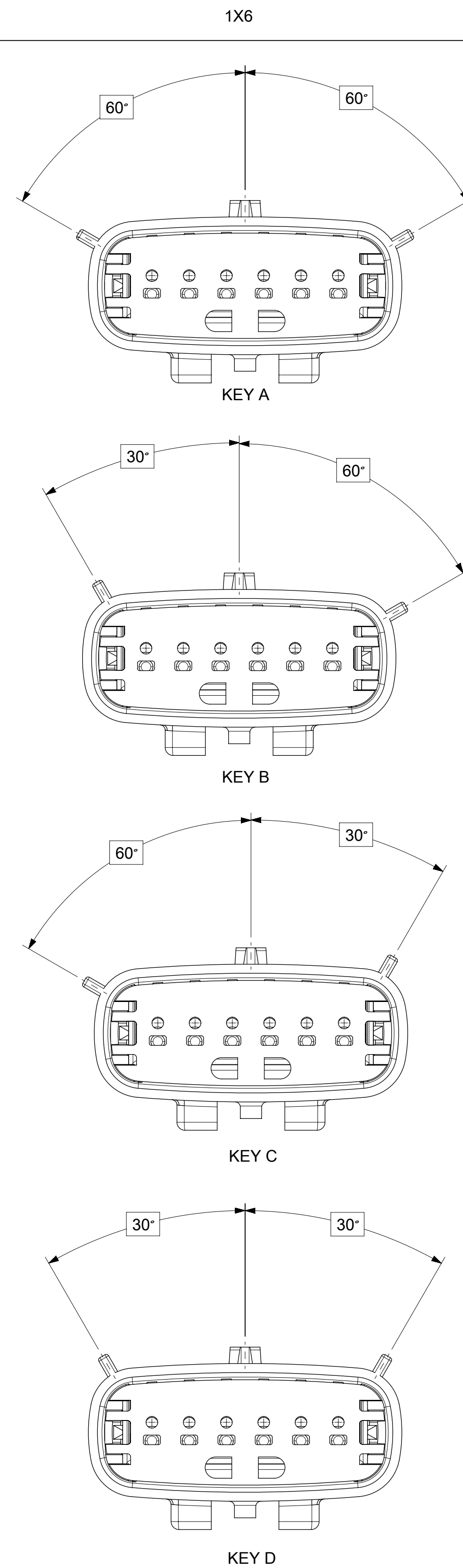
KEY C



KEY D

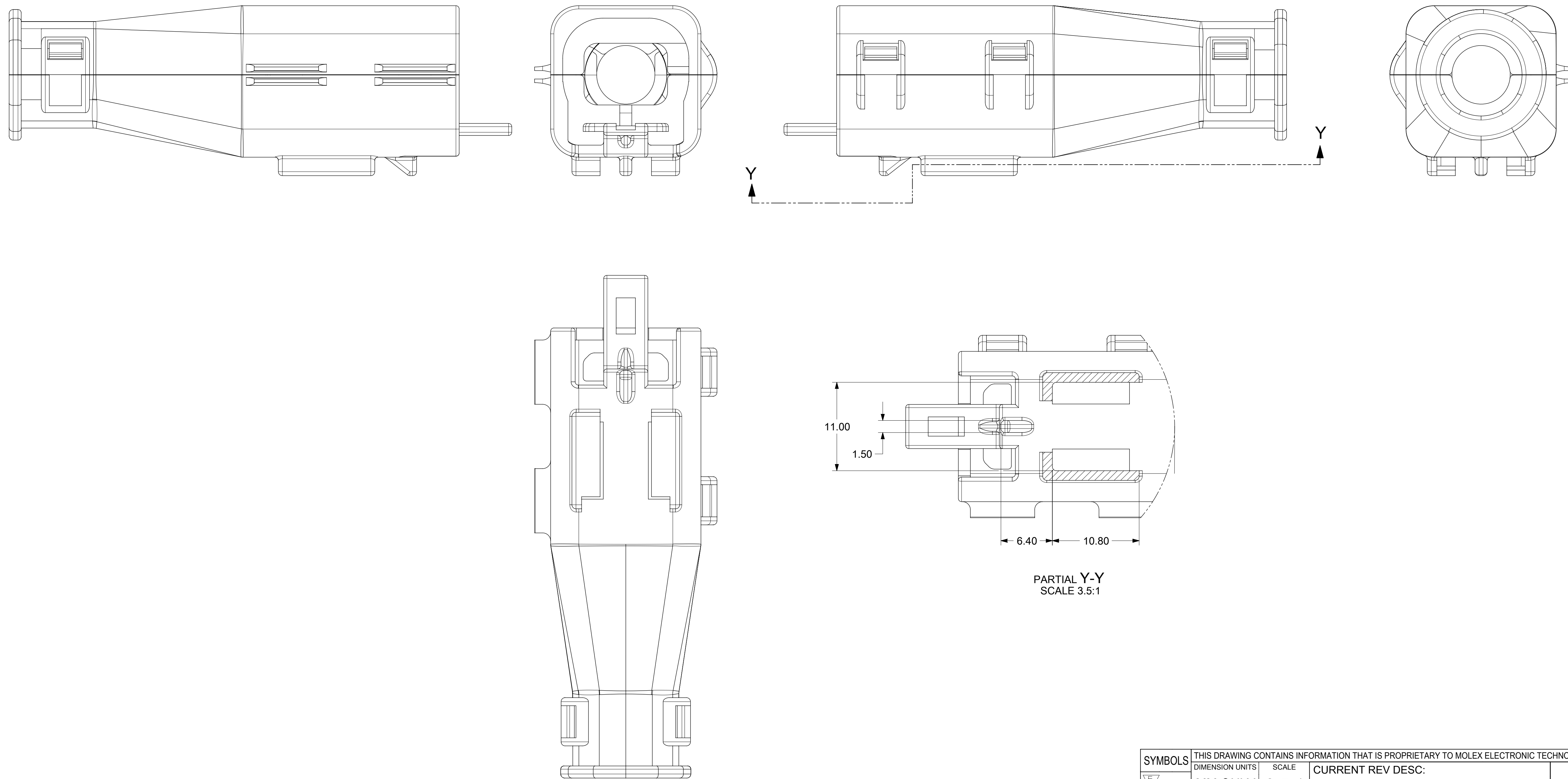
SYMBOLS = 0 = 0 = 0 = 0 = 0 = 0 = 0 = 0 = 0 = 0	THIS DRAWING CONTAINS INFORMATION THAT IS PROPRIETARY TO MOLEX ELECTRONIC TECHNOLOGIES, LLC AND SHOULD NOT BE USED WITHOUT WRITTEN PERMISSION		CURRENT REV DESC:		 MX150 BLADE SINGLE ROW SEALED ASSY MAT SEAL			
	DIMENSION UNITS	SCALE	EC NO: 602373					DOCUMENT NUMBER
	MM ONLY	3:1	DRWN: DSHETTY01 2018/05/25		SD-33481-0001	PSD	001	A1
	GENERAL TOLERANCES (UNLESS SPECIFIED)		CHK'D: MVANSLAMBROU 2018/10/04		PRODUCT CUSTOMER DRAWING			
	ANGULAR TOL ± 1.0°		APPR: MVANSLAMBROU 2018/10/04		INITIAL REVISION:			
	4 PLACES ±		DRWN: APROFFITT 2015/07/21		MATERIAL NUMBER			
	3 PLACES ±		APPR: KDEKOSKI 2016/06/14		CUSTOMER			
	2 PLACES ± 0.1		THIRD ANGLE PROJECTION		SEE NOTE 2a.			
	1 PLACE ± 0.2		DRAWING		GENERAL MARKET			
	0 PLACES ±		SERIES		SHEET NUMBER			
DRAFT WHERE APPLICABLE MUST REMAIN WITHIN DIMENSIONS		A1-SIZE		3 OF 9				

SHEET DESCRIPTION
KEY CONFIGURATIONS CONT.



SYMBOLS = 0 = 0 = 0 = 0 = 0 = 0 = 0 = 0 = 0	THIS DRAWING CONTAINS INFORMATION THAT IS PROPRIETARY TO MOLEX ELECTRONIC TECHNOLOGIES, LLC AND SHOULD NOT BE USED WITHOUT WRITTEN PERMISSION DIMENSION UNITS: MM ONLY SCALE: 3:1	CURRENT REV DESC: EC NO: 602373 DRWN: DSHETTY01 2018/05/25 CHK'D: MVANSLAMBROU 2018/10/04 APPR: MVANSLAMBROU 2018/10/04	 MX150 BLADE SINGLE ROW SEALED ASSY MAT SEAL		
	GENERAL TOLERANCES (UNLESS SPECIFIED) ANGULAR TOL ± 1.0° 4 PLACES ± 3 PLACES ± 2 PLACES ± 0.1 1 PLACE ± 0.2 0 PLACES ± DRAFT WHERE APPLICABLE MUST REMAIN WITHIN DIMENSIONS	INITIAL REVISION: DRWN: APROFFITT 2015/07/21 APPR: KDEKOSKI 2016/06/14	PRODUCT CUSTOMER DRAWING DOCUMENT NUMBER: SD-33481-0001 DOC TYPE: PSD DOC PART: 001 REVISION: A1	MATERIAL NUMBER: SEE NOTE 2a. CUSTOMER: GENERAL MARKET SHEET NUMBER: 4 OF 9	

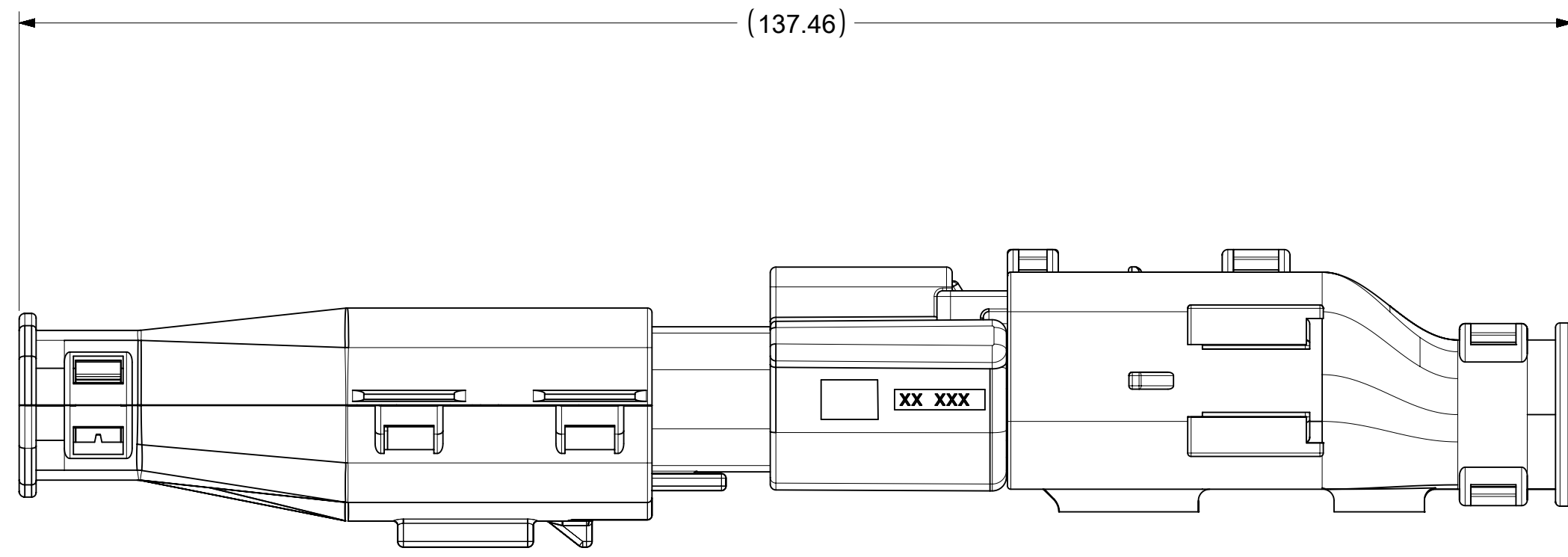
SHEET DESCRIPTION
BACKSHELL



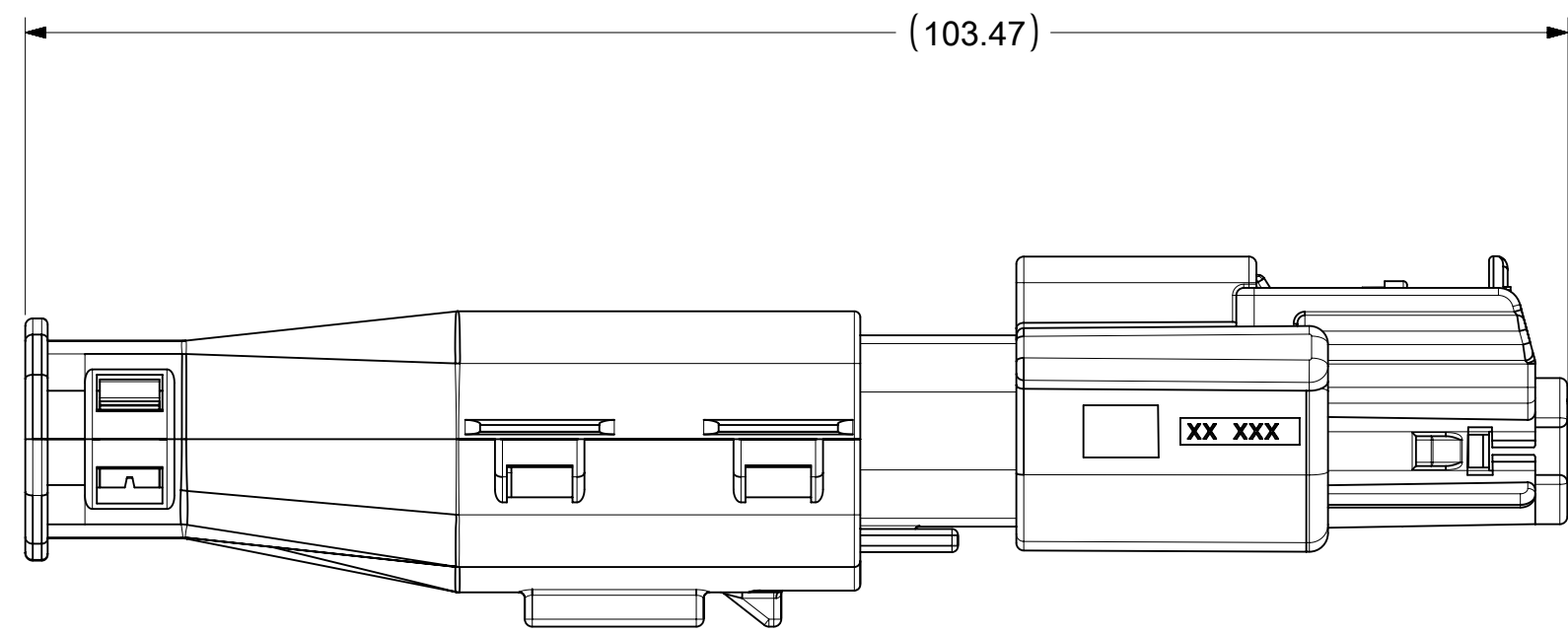
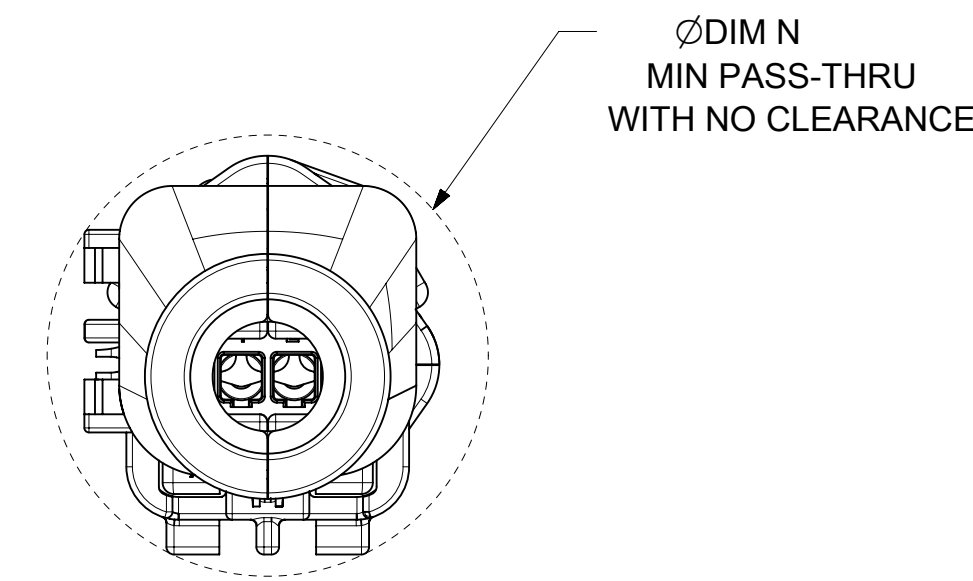
SYMBOLS		THIS DRAWING CONTAINS INFORMATION THAT IS PROPRIETARY TO MOLEX ELECTRONIC TECHNOLOGIES, LLC AND SHOULD NOT BE USED WITHOUT WRITTEN PERMISSION		CURRENT REV DESC:					
DIMENSION UNITS	SCALE	EC NO: 602373			DOCUMENT NUMBER	DOC TYPE			
= 0	MM ONLY	3.5:1	DRWN: DSHETTY01 2018/05/25			SD-33481-0001	PSD	001	A1
= 0	GENERAL TOLERANCES (UNLESS SPECIFIED)		CHK'D: MVANSLAMBROU 2018/10/04						
= 0	ANGULAR TOL ± 1.0°		APPR: MVANSLAMBROU 2018/10/04			PRODUCT CUSTOMER DRAWING			
= 0	4 PLACES ±		INITIAL REVISION:			MATERIAL NUMBER			
= 0	3 PLACES ±		DRWN: APROFFITT 2015/07/21			CUSTOMER			
= 0	2 PLACES ± 0.1		APPR: KDEKOSKI 2016/06/14			SHEET NUMBER			
= 0	1 PLACE ± 0.2		THIRD ANGLE PROJECTION			SEE NOTE 2a.			
= 0	0 PLACES ±		DRAWING			GENERAL MARKET			
= 0	DRAFT WHERE APPLICABLE MUST REMAIN WITHIN DIMENSIONS		SERIES			8 OF 9			
= 0			A1-SIZE						
			33481						

SHEET DESCRIPTION
BACKSHELL CONFIGURATIONS

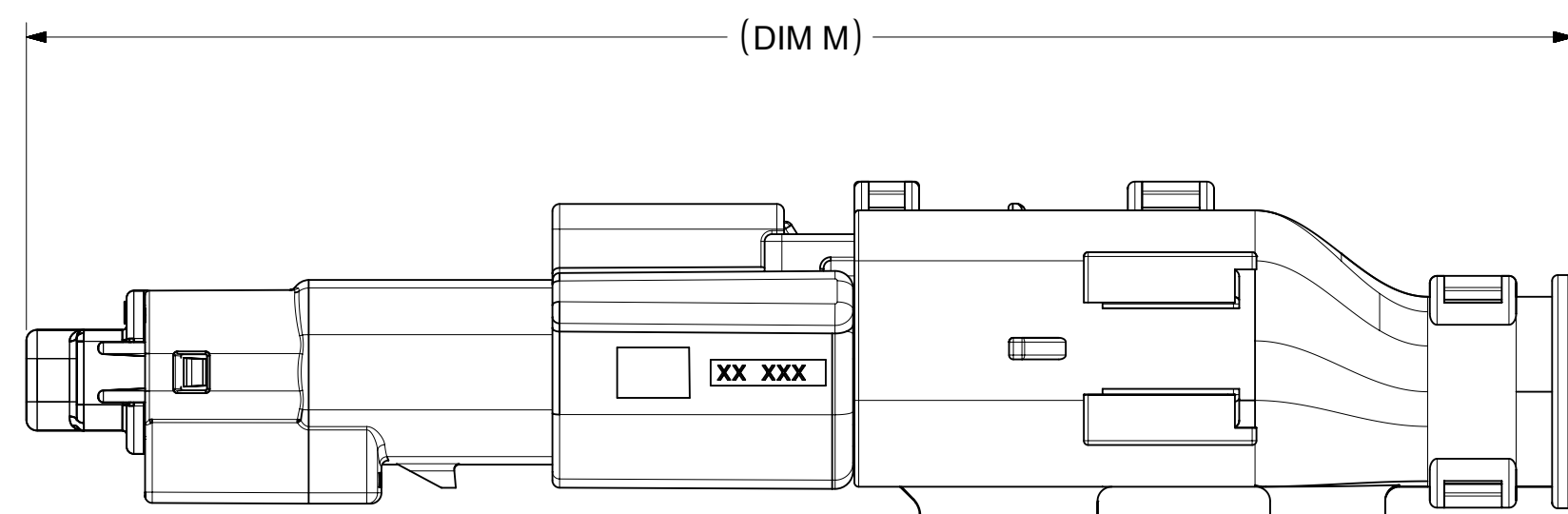
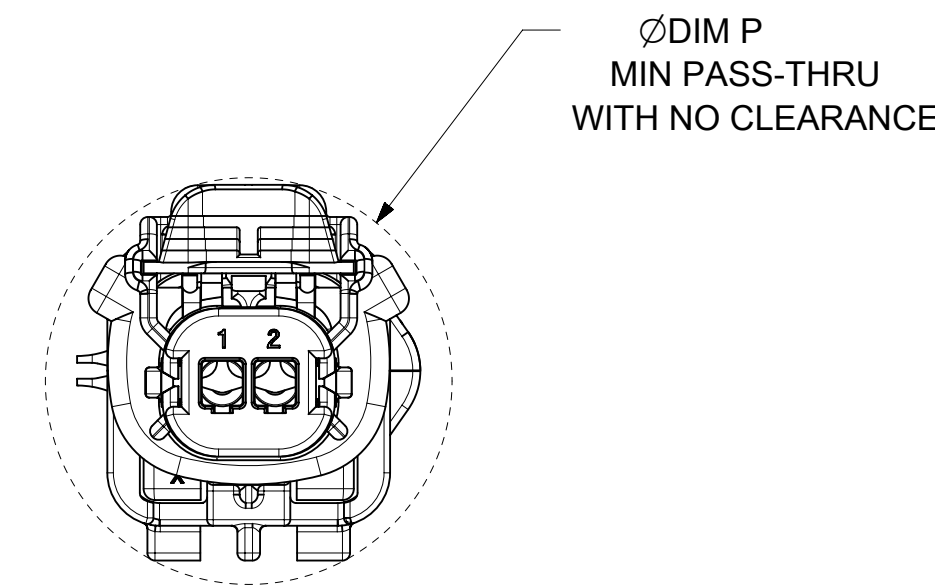
CKT	BLADE CONFIGURATION	RECEPTACLE CONFIGURATION	DIMENSIONS				
			M	N	P	R	S
1X2	STANDARD	STANDARD	107.84	29.50	27.00	26.25	25.00



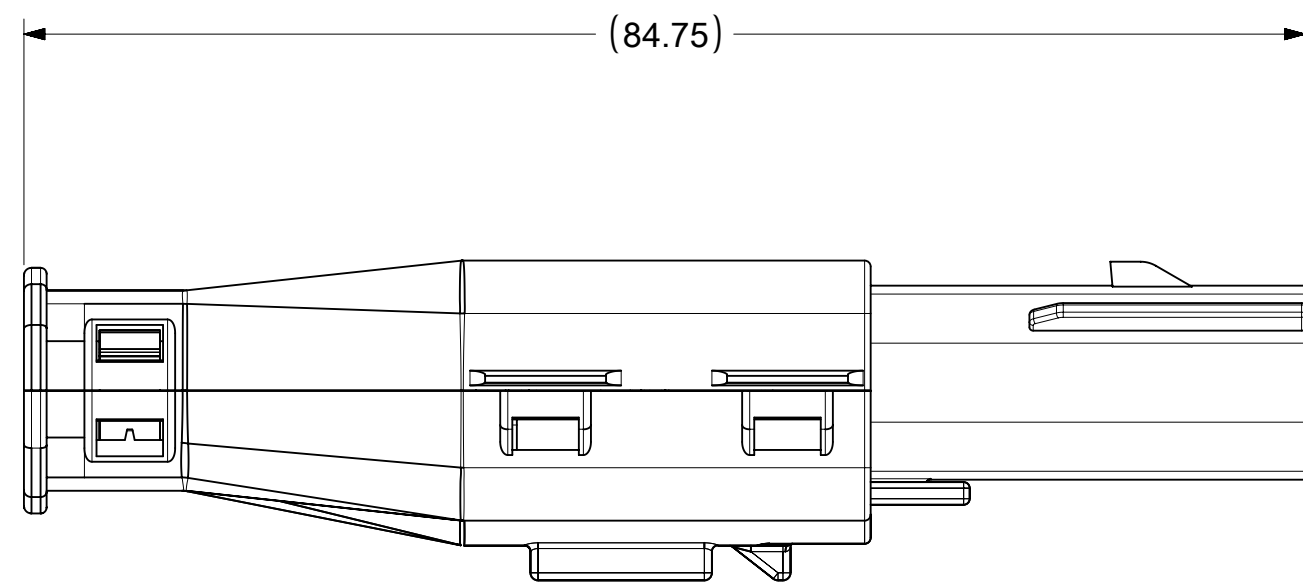
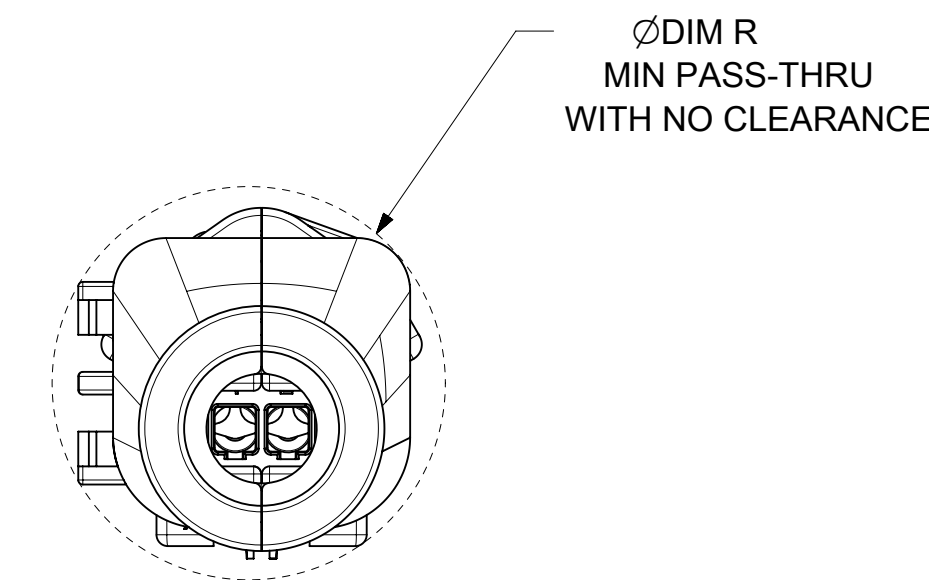
OVERALL MATED SYSTEM WITH BLADE AND RECEPTACLE BACKSHELL



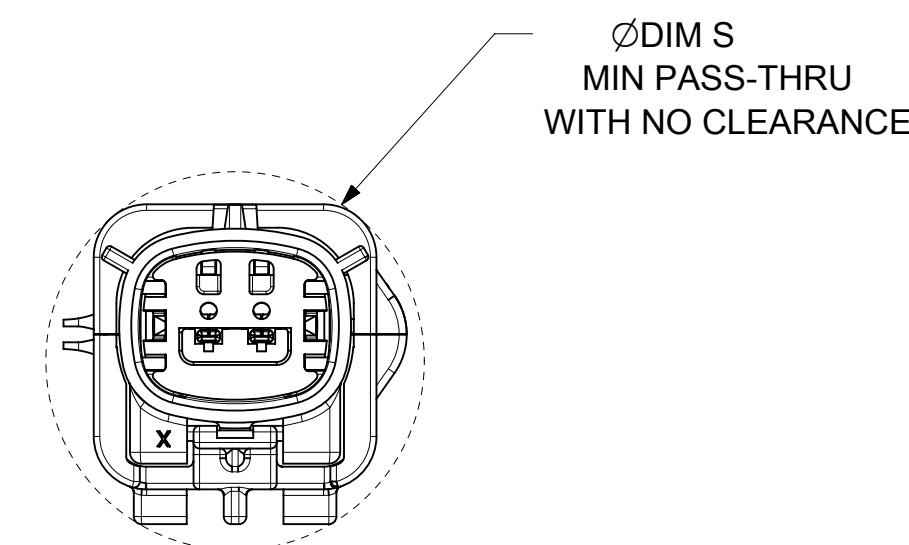
OVERALL MATED SYSTEM WITH BLADE BACKSHELL



OVERALL MATED SYSTEM WITH RECEPTACLE BACKSHELL



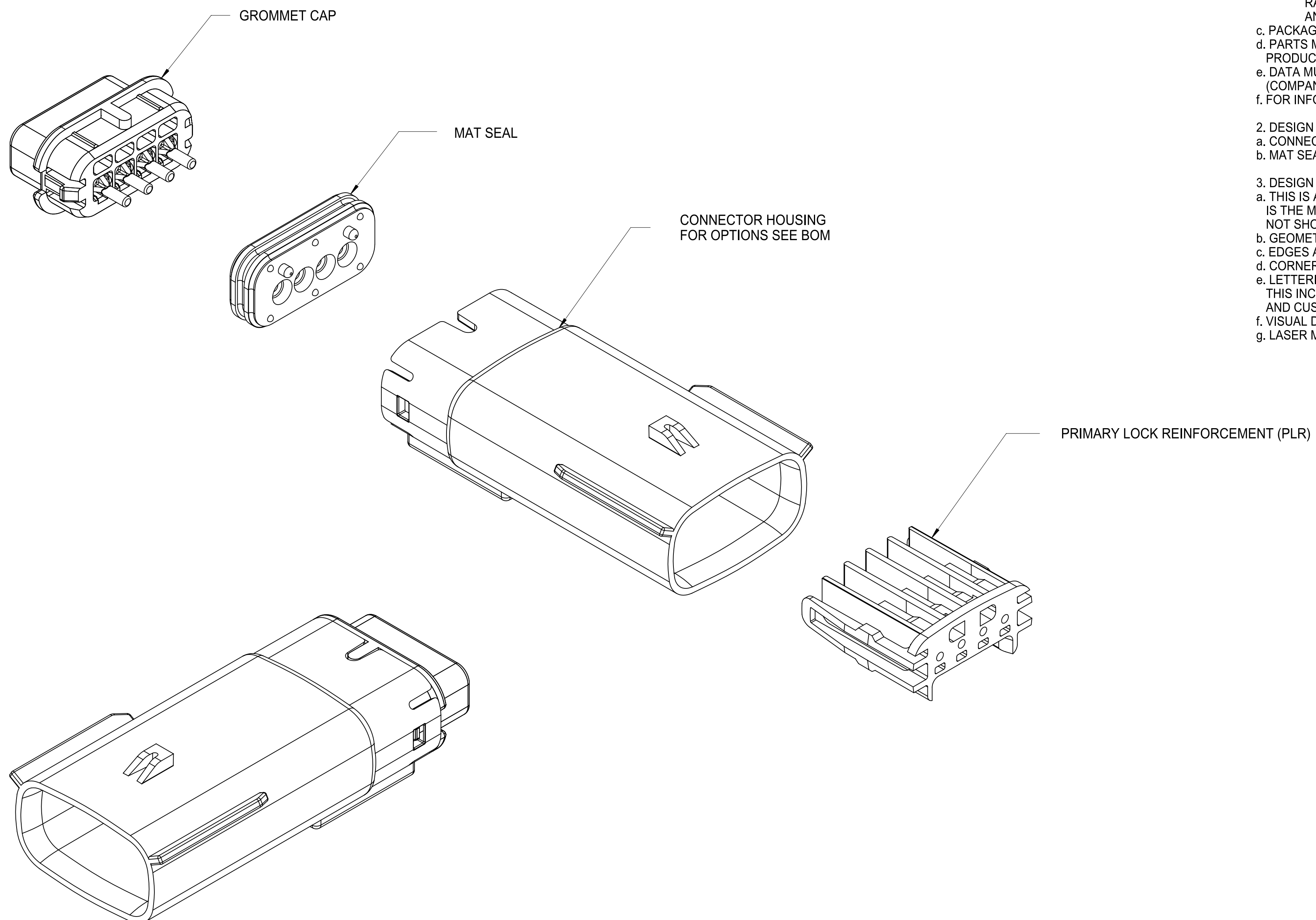
BLADE SEALED ASSEMBLY WITH BLADE BACKSHELL



SYMBOLS = 0 = 0 = 0 = 0 = 0 = 0 = 0	THIS DRAWING CONTAINS INFORMATION THAT IS PROPRIETARY TO MOLEX ELECTRONIC TECHNOLOGIES, LLC AND SHOULD NOT BE USED WITHOUT WRITTEN PERMISSION DIMENSION UNITS: MM ONLY SCALE: 2:1	CURRENT REV DESC: EC NO: 602373 DRWN: DSHETTY01 2018/05/25 CHK'D: MVANSLAMBROU 2018/10/04 APPR: MVANSLAMBROU 2018/10/04 INITIAL REVISION: DRWN: APROFFITT 2015/07/21 APPR: KDEKOSKI 2016/06/14	 MX150 BLADE SINGLE ROW SEALED ASSY MAT SEAL		
	GENERAL TOLERANCES (UNLESS SPECIFIED) ANGULAR TOL ± 1.0° 4 PLACES ± 3 PLACES ± 2 PLACES ± 0.1 1 PLACE ± 0.2 0 PLACES ± DRAFT WHERE APPLICABLE MUST REMAIN WITHIN DIMENSIONS	PRODUCT CUSTOMER DRAWING DOCUMENT NUMBER: SD-33481-0001 DOC TYPE: PSD DOC PART: 001 REVISION: A1		MATERIAL NUMBER: SEE NOTE 2a. CUSTOMER: GENERAL MARKET SHEET NUMBER: 9 OF 9	

TABLE OF CONTENTS


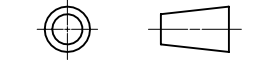
SHEET NO.	SHEET DESCRIPTION
1	NOTES
2	KEY CONFIGURATIONS
3	BLADE SEALED ASSEMBLY
4	SYSTEM PACKAGING
5	BOM



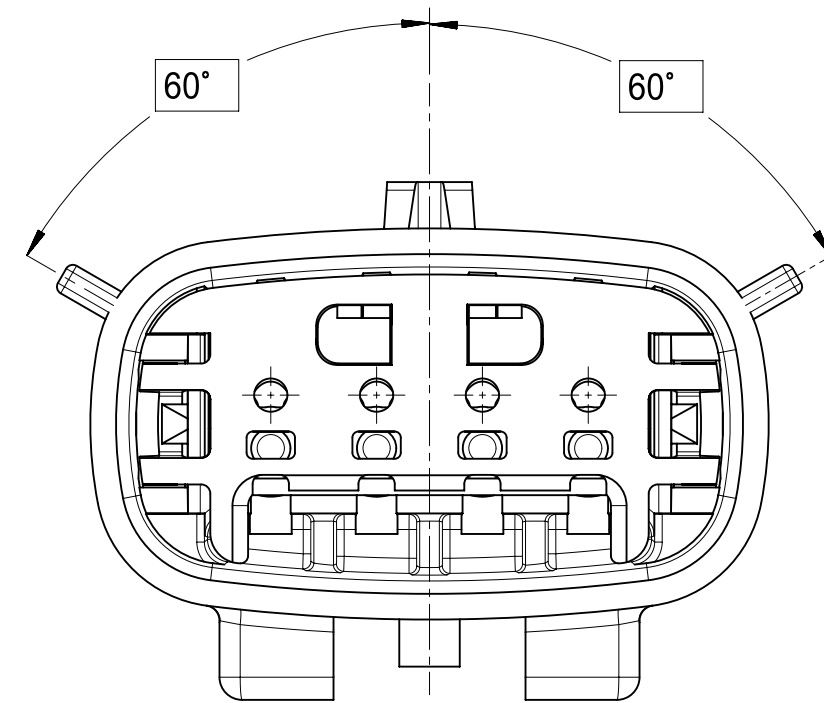
NOTES: VALID UNLESS OTHERWISE SPECIFIED

1. GENERAL:
 - a. APPLICATION SPECIFICATION SEE: AS-33472-100
CONTAINS: PRODUCT INTRODUCTION, PRODUCT SUMMARY, CONNECTOR ASSEMBLY, PACKAGING INFORMATION, CONNECTOR MATING, SERVICE INSTRUCTIONS, ELECTRICAL CONTINUITY CHECKING, CRIMPING, AND TROUBLESHOOTING.
-DESIGNED TO MATE WITH RECEPTACLE SEALED ASSEMBLY SPECIFIED IN MOLEX DRAWING SD-33471-041.
-FOR 1.5mm BLADE TERMINALS TO BE USED WITH THIS ASSEMBLY SEE MOLEX DRAWING SD-33000-001.
- SYSTEM TO BE USED WITH WIRE WITHIN DIAMETER RANGE OF 1.2mm TO 2.69mm.
-ASSEMBLY SHIPPED WITH PLR IN PRE-LOCK POSITION
-IN THE EVENT THAT THE PLR IS FOUND IN THE SEATED (FINAL LOCK) POSITION, REFER TO MOLEX SPECIFICATION PS-34646-001, AVAILABLE AT www.molex.com <<http://www.molex.com>>
-ASSEMBLY CONFORMS TO SAE/USCAR-2 REV.4 WITH THE FOLLOWING EXCEPTIONS:
TERMINAL INSERTION FORCE FOR WIRE DIAMETER ABOVE 2.5mm NOT EXCEEDING 2.69mm SHALL NOT EXCEED 45 NEWTONS.
 - b. PRODUCT SPECIFICATION SEE: PS-33471-000
CONTAINS: PRODUCT INTRODUCTION, PRODUCT SUMMARY, RATINGS (CURRENT, TEMPERATURE, SEALING, AND FLAMMABILITY), AND PRODUCT VALIDATION.
 - c. PACKAGING SPECIFICATION PER MOLEX DRAWING: PK-31300-635
d. PARTS MUST BE IN COMPLIANCE TO MOLEX CHEMICAL SUBSTANCES FOR PRODUCTS AND PACKAGING SPECIFICATION: ES-40000-5016
 - e. DATA MUST BE SUBMITTED UNDER THE MOLEX PART NUMBER TO IMDS (COMPANY ID#13255)
 - f. FOR INFORMATION ON 1X4 BLADE SEALED ASSEMBLY WITH SHORTING BAR SEE SD-31280-200.
2. DESIGN - MATERIALS:
 - a. CONNECTOR HOUSING, GROMMET CAP, PLR: SPS/NYLON BLENDED 20% GLASS FILLED
 - b. MAT SEAL: INHERENTLY LUBRICATED SILICONE
3. DESIGN - GEOMETRY:
 - a. THIS IS A 100% CAD GENERATED PART. THE CAD MATHEMATICAL DATA IS THE MASTER FOR THIS PART. FOR DIMENSIONAL OR ANY INFORMATION NOT SHOWN ON THIS DRAWING, ANALYZE THE CAD MODEL.
 - b. GEOMETRIC DIMENSIONS AND TOLERANCES PER ASME Y14.5M - 1994
 - c. EDGES AND UNDIMENSIONED DETAILS PER ISO13715
 - d. CORNERS SHOWN AS SHARP TO BE R 0.2 MAX.
 - e. LETTERING SHALL BE 0.15 MAX RAISED IN 0.25 MAX RECESS PAD. THIS INCLUDES RECYCLING CODE, CAVITY ID, VENDOR IDENTIFICATION, AND CUSTOMER MATERIAL NUMBER.
 - f. VISUAL DEFECTS SHALL MEET COSMETIC STANDARD PS-45499-002 (Class B)
 - g. LASER MARKING: TBD

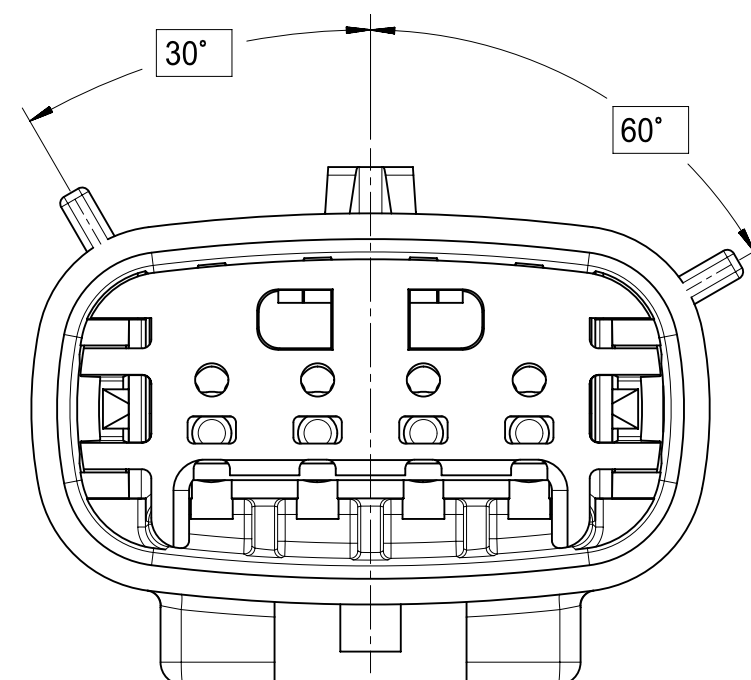
W4	UPDATED THE STATUS OF P/NS ON SHEET 5 33481-04XX) TO OBSOLETE PER PCN 512135 ADDED SALEABLE STATUS OF P/NS (33481-44XX) ON SHEET 5 P/NS 334814408 THRU 334814409 AND 334814412 THRU 334814412 WHICH HAVE BEEN MARKED NOT RECOMMENDED IN THE COMMENTS
REV #	DESCRIPTION

THIS DRAWING CONTAINS INFORMATION THAT IS PROPRIETARY TO MOLEX ELECTRONIC TECHNOLOGIES, LLC AND SHOULD NOT BE USED WITHOUT WRITTEN PERMISSION									
DIMENSION UNITS	SCALE	CURRENT REV DESC: UPDATED PARTS STATUS							
mm	3:1	 MX150 1X4 BLADE SEALED ASSEMBLY MAT SEAL PRODUCT SALES DRAWING							
GENERAL TOLERANCES (UNLESS SPECIFIED)									
ANGULAR TOL	± 3°								
4 PLACES	± 0								
3 PLACES	± 0								
2 PLACES	± 0.1								
1 PLACE	± 0.3	EC NO: CO-000001228		DRWN: MattYoung		21-Jul-2022		01-Aug-2022	
0 PLACES	± 0	APPR: Katy Boruszewski		02-Aug-2022		INITIAL REVISION:			
DRAFT WHERE APPLICABLE MUST REMAIN WITHIN DIMENSIONS		THIRD ANGLE PROJECTION		DRAWING		SERIES		MATERIAL NUMBER	
				D-SIZE		33481		SD-33481-041	
DOCUMENT NUMBER				DOC TYPE		DOC PART		REVISION	
PSD				001		W4			
CUSTOMER				GENERAL MARKET		SHEET NUMBER		1 OF 5	

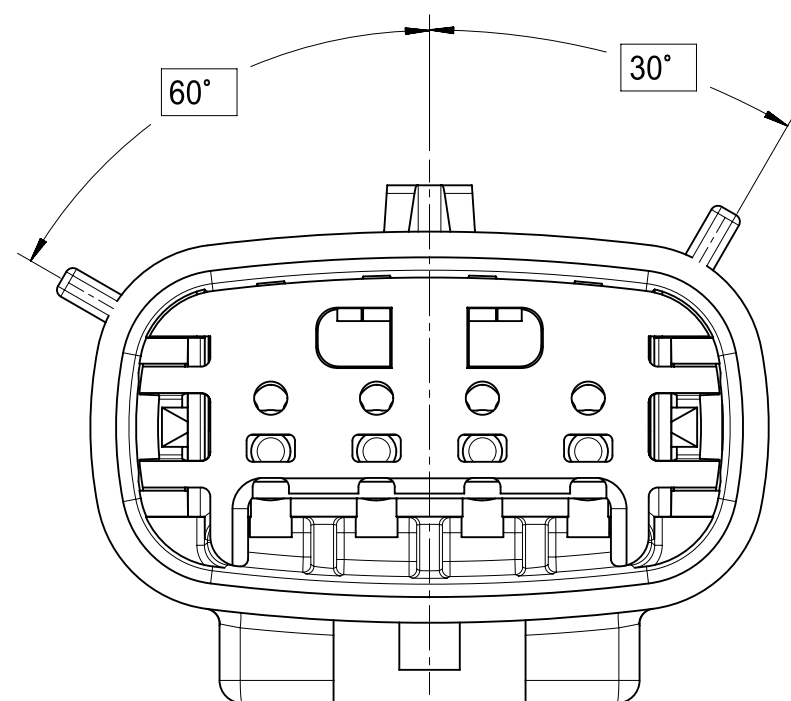
KEY CONFIGURATIONS



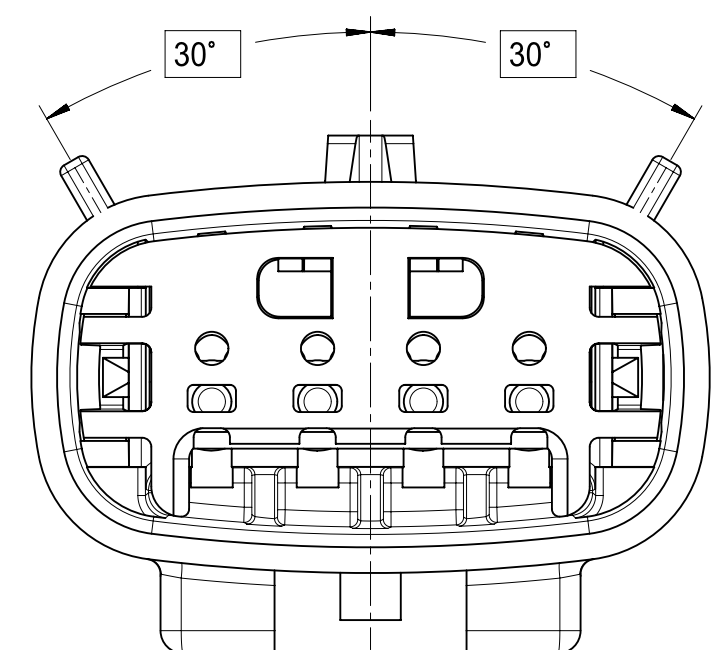
KEY A



KEY B





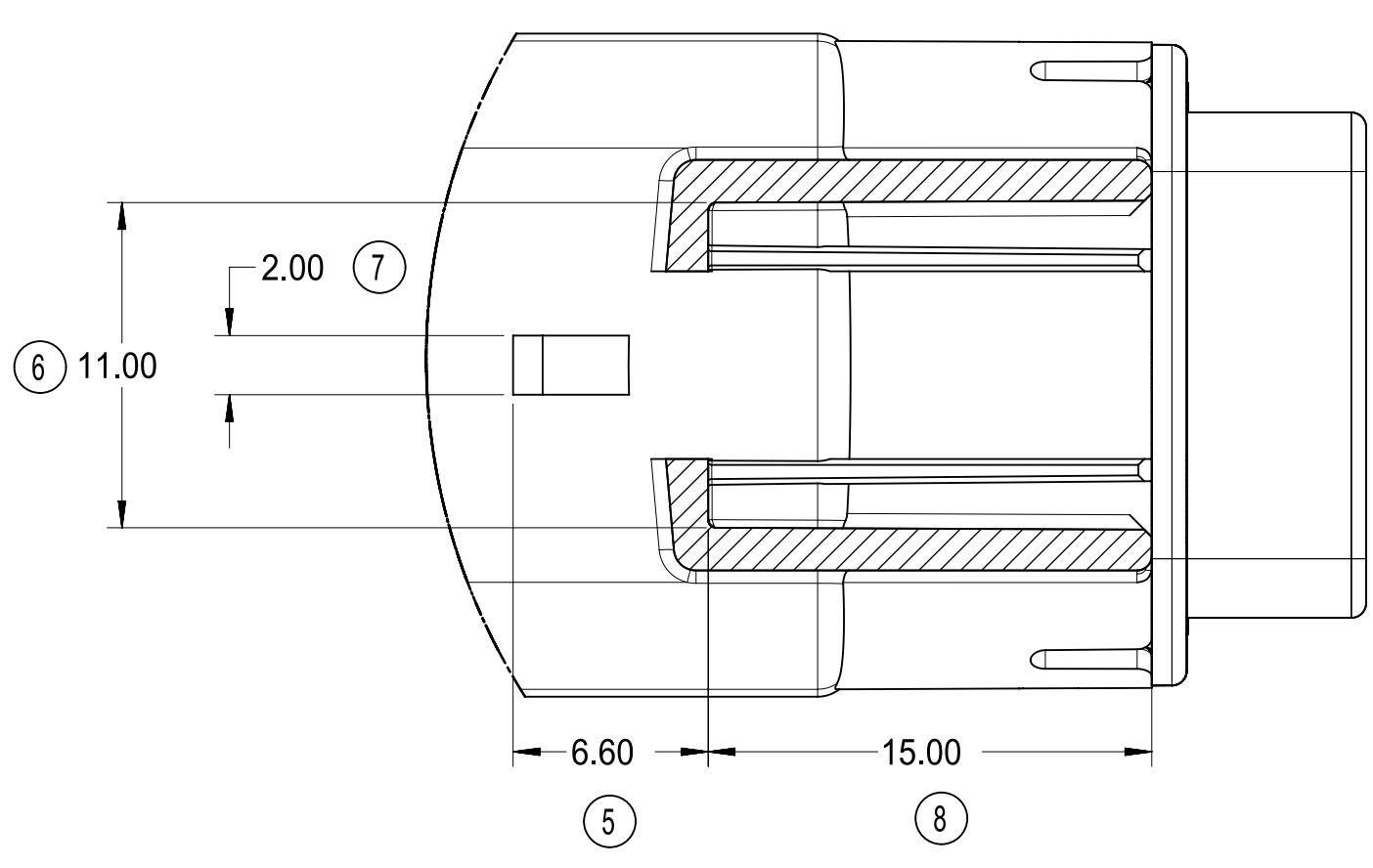
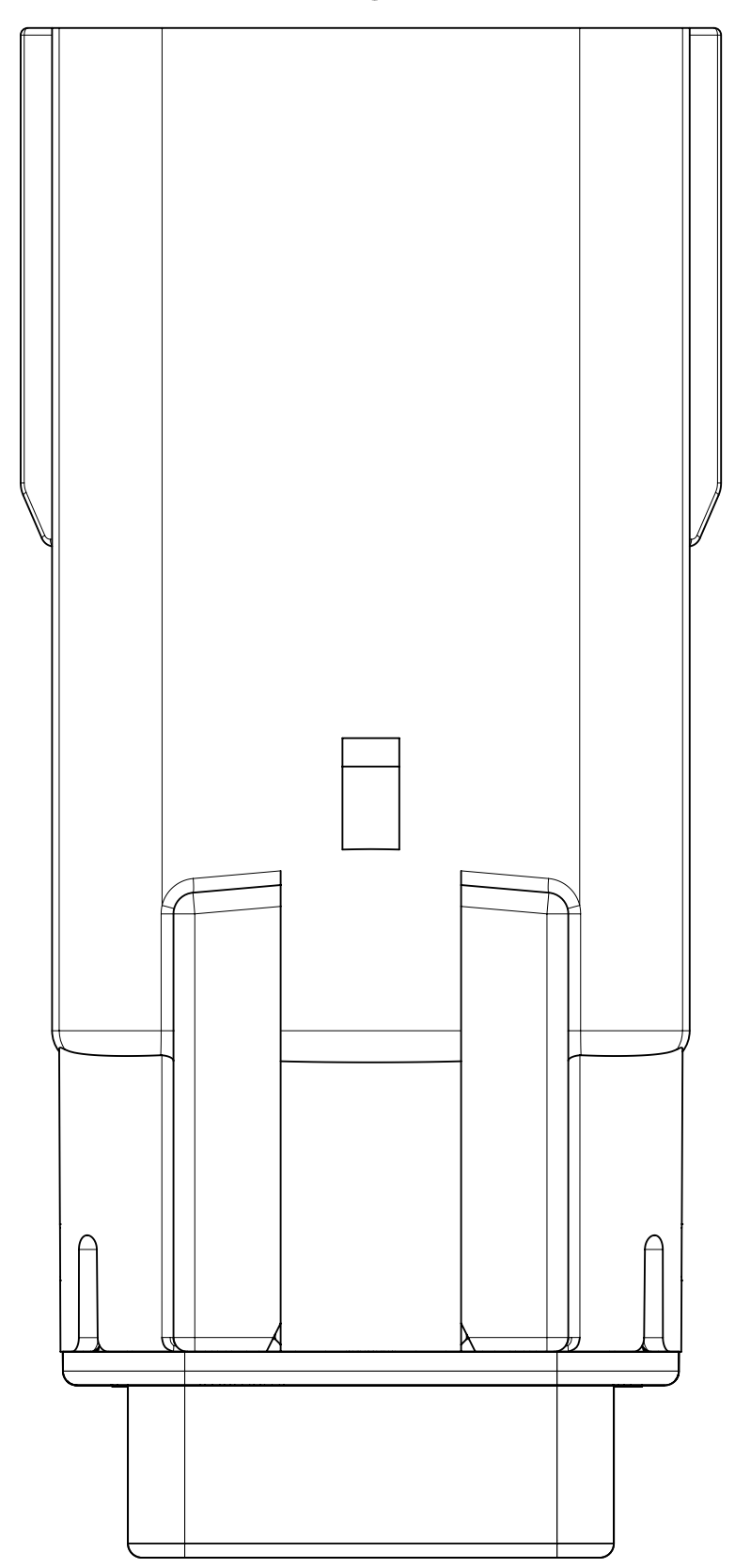
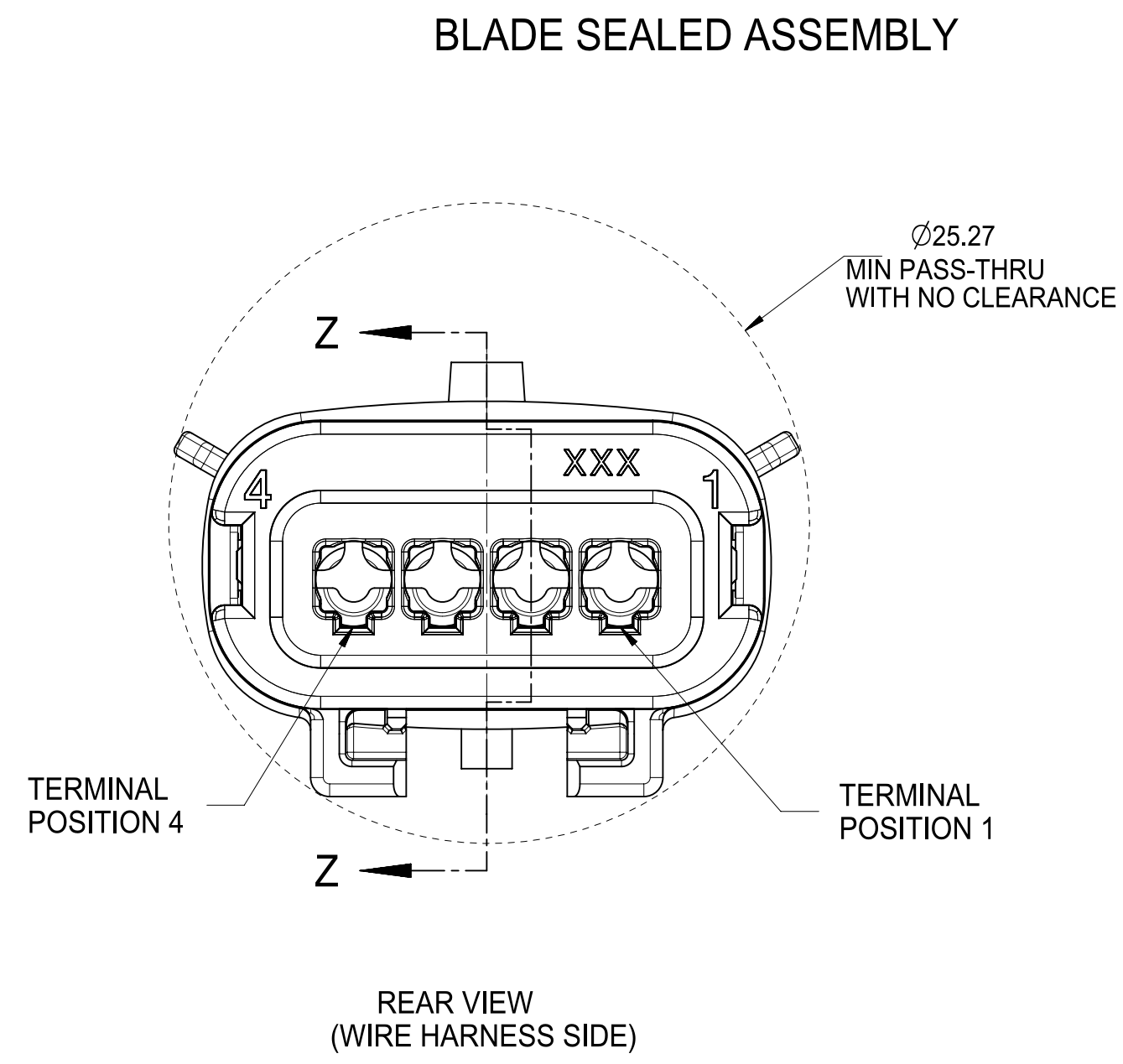
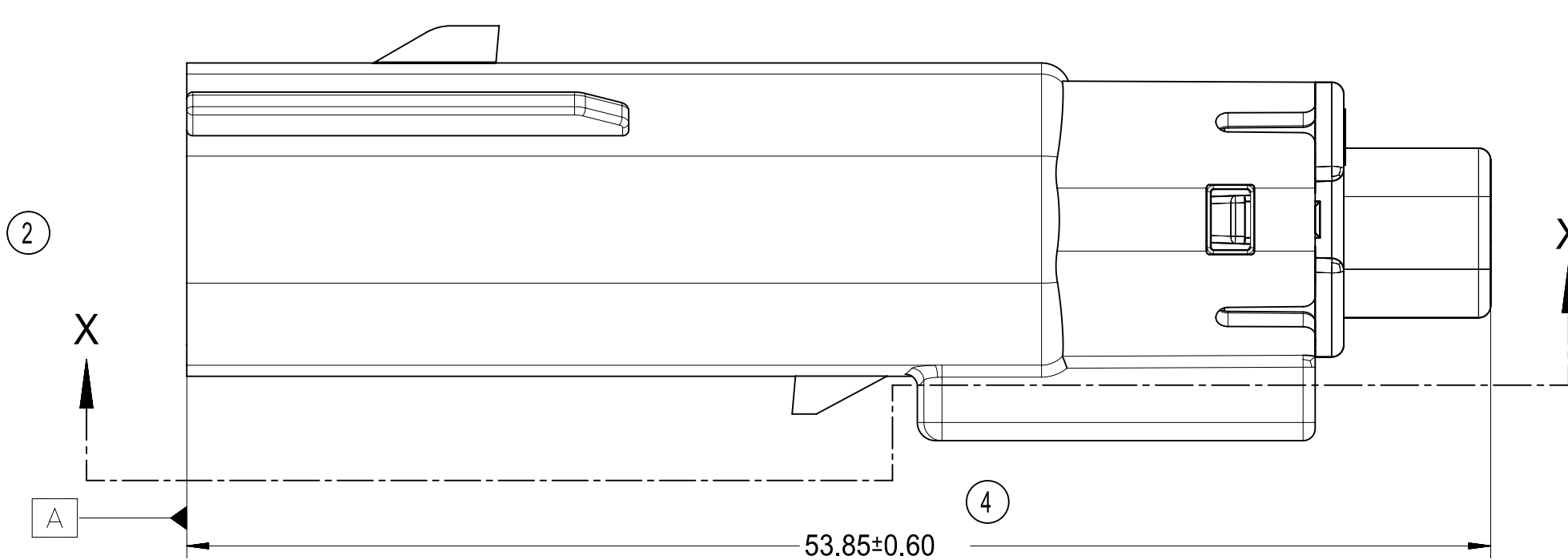
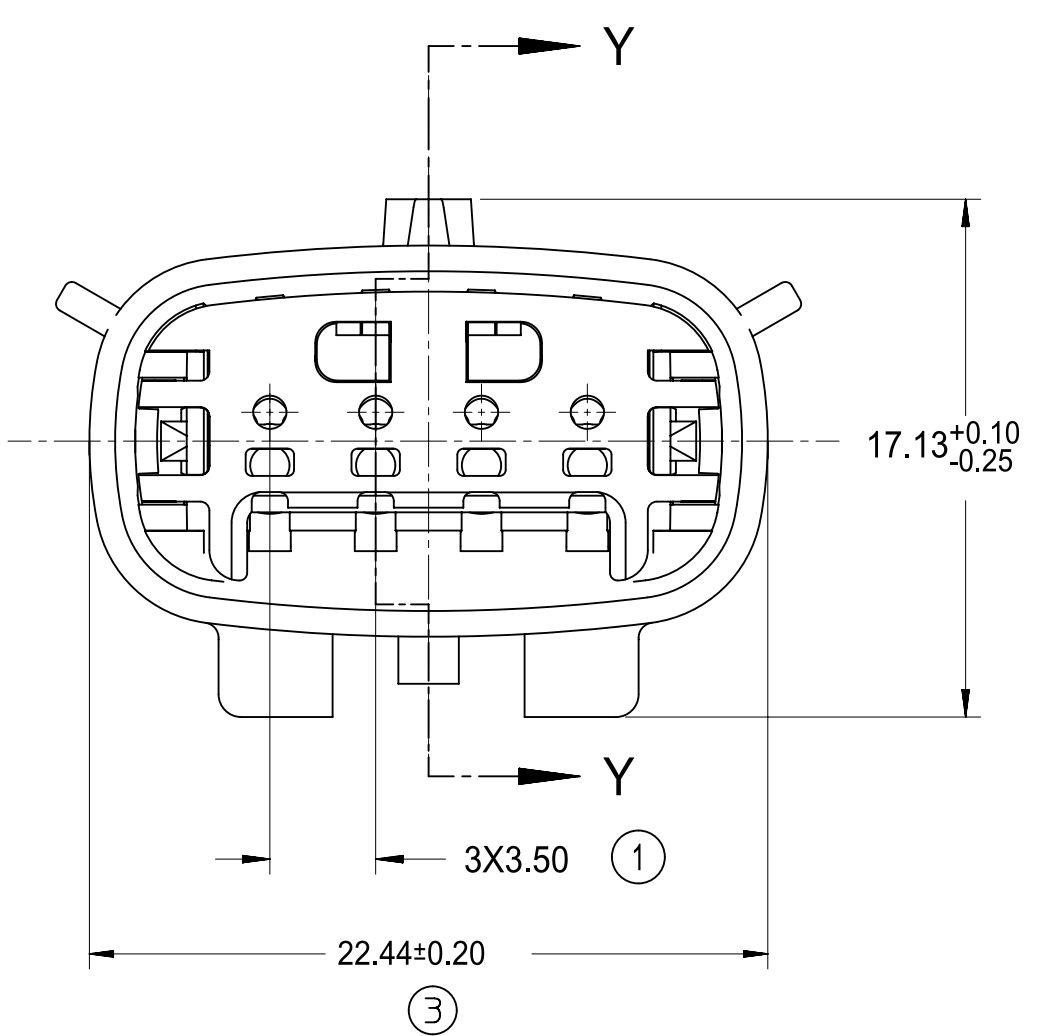
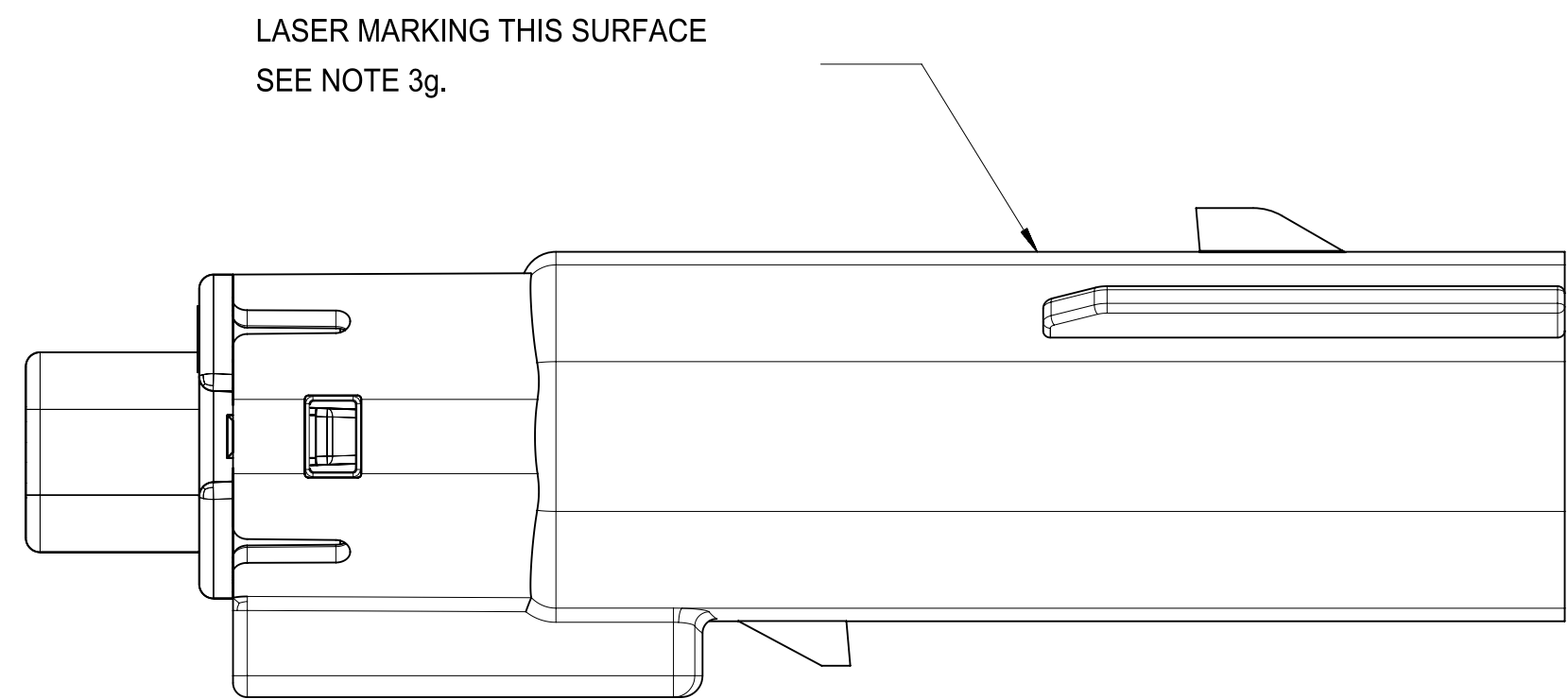
KEY C



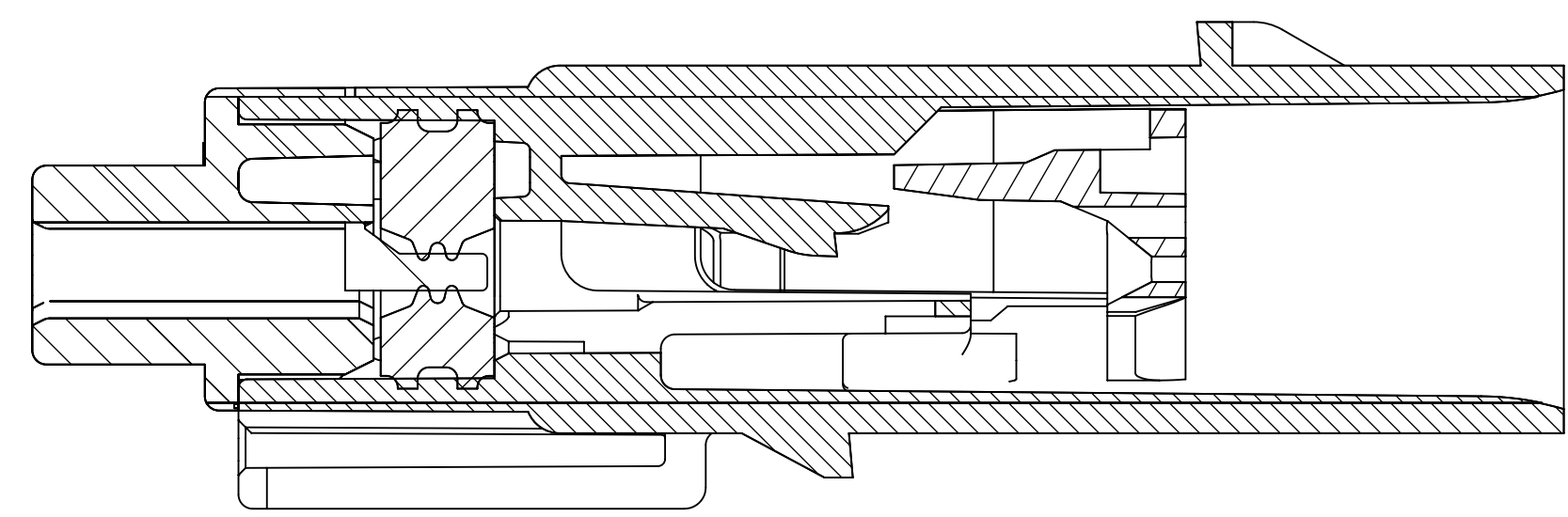
KEY D

THIS DRAWING CONTAINS INFORMATION THAT IS PROPRIETARY TO MOLEX ELECTRONIC TECHNOLOGIES, LLC AND SHOULD NOT BE USED WITHOUT WRITTEN PERMISSION

DIMENSION UNITS	SCALE	CURRENT REV DESC: UPDATED PARTS STATUS						
mm	4:1							
GENERAL TOLERANCES (UNLESS SPECIFIED)		EC NO: CO-000001228		MX150 1X4 BLADE SEALED ASSEMBLY MAT SEAL				
ANGULAR TOL ± 3°		DRWN: MattYoung 21-Jul-2022		PRODUCT SALES DRAWING				
4 PLACES ± 0		CHK'D: Joe Fox 01-Aug-2022		DOCUMENT NUMBER		DOC TYPE	DOC PART	REVISION
3 PLACES ± 0		APPR: Katy Boruszewski 02-Aug-2022		SD-33481-041		PSD	001	W4
2 PLACES ± 0.1		INITIAL REVISION:		MATERIAL NUMBER				
1 PLACE ± 0.3		DRWN: RFC_PLMIMP		CUSTOMER		SHEET NUMBER		
0 PLACES ± 0		APPR:		GENERAL MARKET		2 OF 5		
DRAFT WHERE APPLICABLE MUST REMAIN WITHIN DIMENSIONS		THIRD ANGLE PROJECTION	DRAWING	SERIES	MATERIAL NUMBER		SHEET NUMBER	
			D-SIZE	33481				

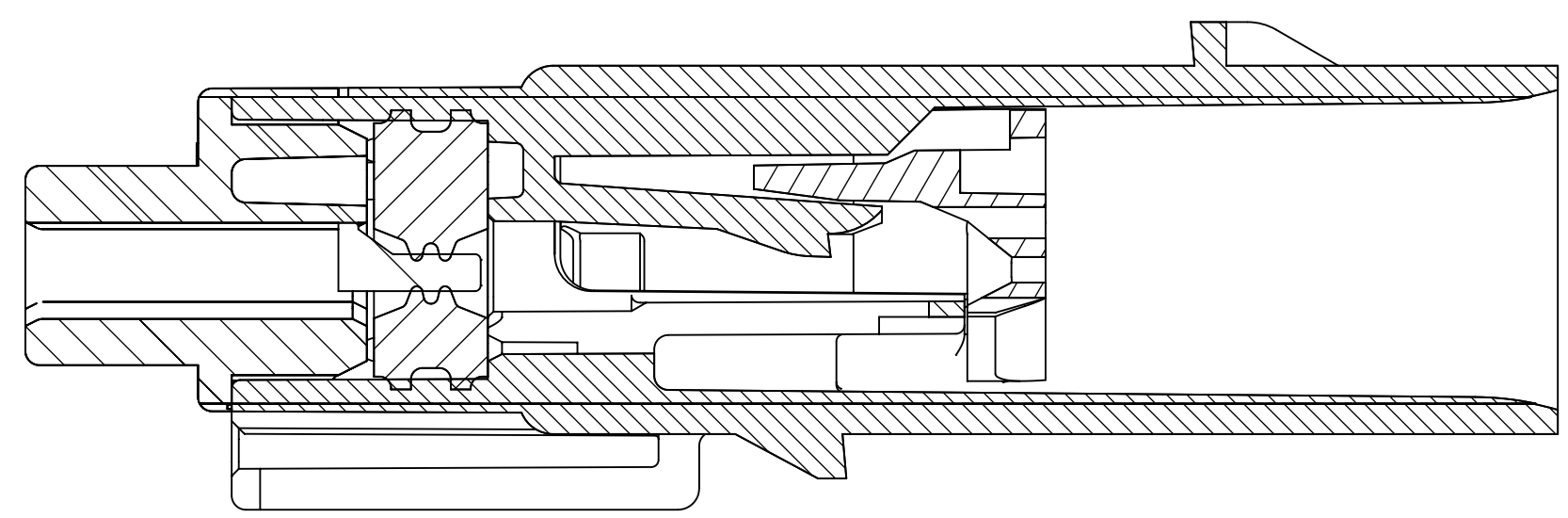


PARTIAL X-X
SCALE 4:1



PRIMARY LOCK REINFORCEMENT (PLR) SHOWN
IN PRE-STAGED POSITION

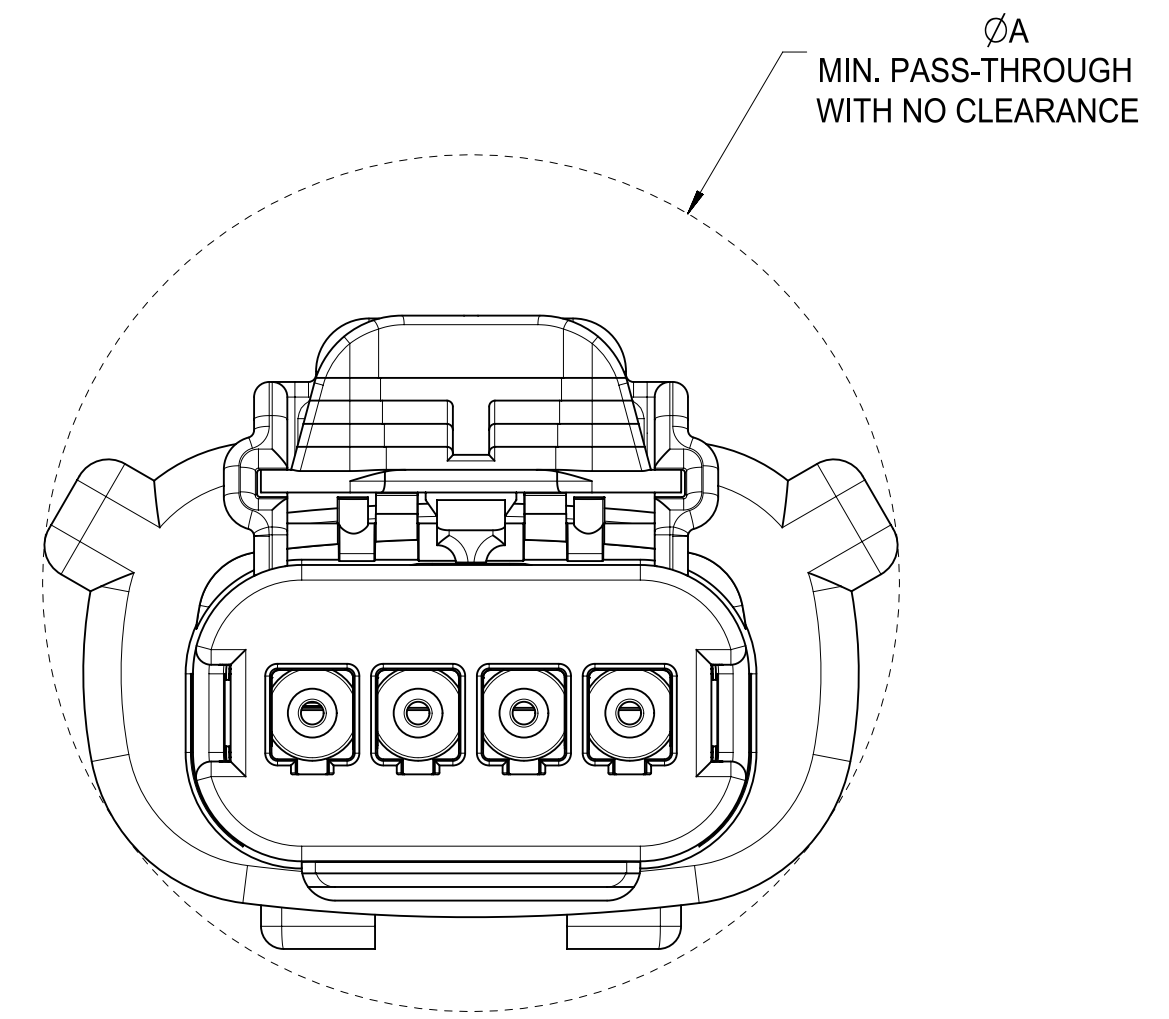
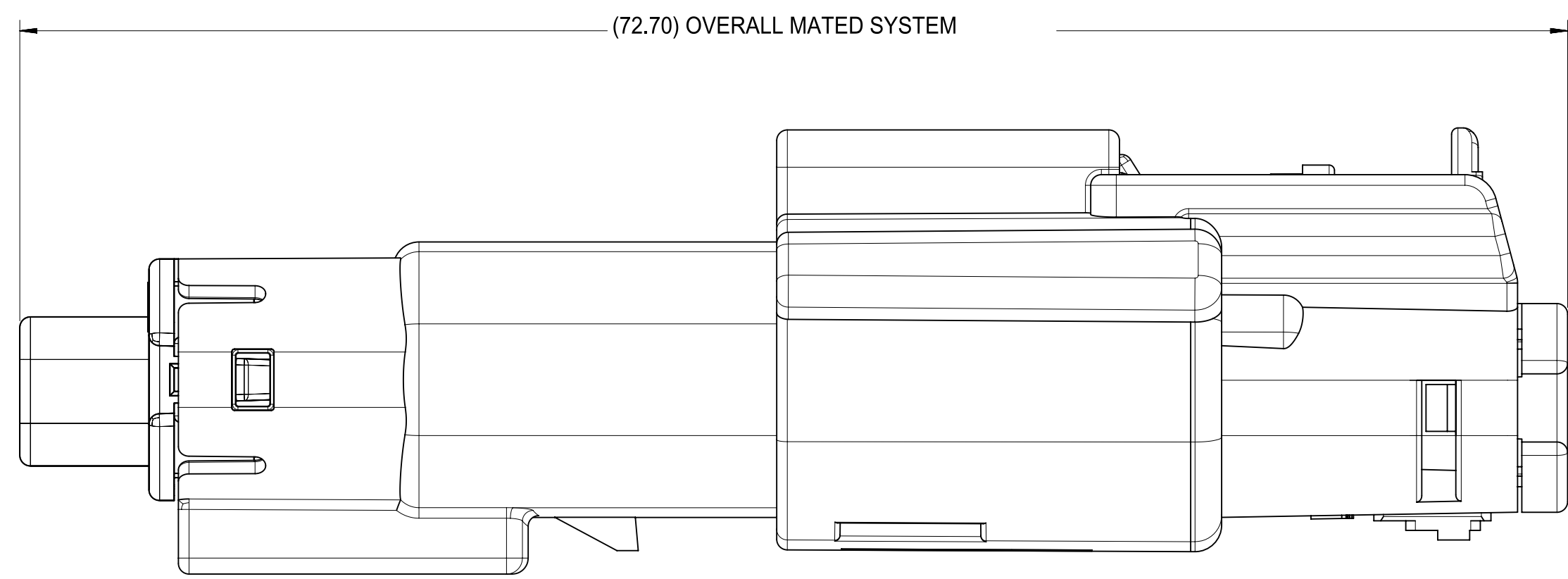
SECTION Z-Z



PRIMARY LOCK REINFORCEMENT (PLR) SHOWN
IN FINAL-LOCK POSITION

SECTION Y-Y

THIS DRAWING CONTAINS INFORMATION THAT IS PROPRIETARY TO MOLEX ELECTRONIC TECHNOLOGIES, LLC AND SHOULD NOT BE USED WITHOUT WRITTEN PERMISSION									
DIMENSION UNITS mm		SCALE 4:1		CURRENT REV DESC: UPDATED PARTS STATUS					
GENERAL TOLERANCES (UNLESS SPECIFIED)				EC NO: CO-000001228					
ANGULAR TOL ± 3°				DRWN: MattYoung		21-Jul-2022			
4 PLACES ± 0				CHK'D: Joe Fox		01-Aug-2022			
3 PLACES ± 0				APPR: Katy Boruszewski		02-Aug-2022			
2 PLACES ± 0.1				INITIAL REVISION:					
1 PLACE ± 0.3				DRWN: RFC_PLMIMP					
0 PLACES ± 0				APPR:					
DRAFT WHERE APPLICABLE MUST REMAIN WITHIN DIMENSIONS		THIRD ANGLE PROJECTION 		DRAWING D-SIZE		SERIES 33481		DOCUMENT NUMBER SD-33481-041	
				MATERIAL NUMBER		CUSTOMER GENERAL MARKET		DOC TYPE DOC PART REVISION PSD 001 W4	
								SHEET NUMBER 3 OF 5	



CHARTED DIMENSIONS	
CONFIGURATION	A
MX150 1X4 RECPT SEALED ASSY - STANDARD	29.14
MX150 1X4 RECPT SEALED ASSY - ERGO	29.33
MX150 1X4 RECPT SEALED ASSY - SHORTING (SHRT) BAR	29.14

THIS DRAWING CONTAINS INFORMATION THAT IS PROPRIETARY TO MOLEX ELECTRONIC TECHNOLOGIES, LLC AND SHOULD NOT BE USED WITHOUT WRITTEN PERMISSION

DIMENSION UNITS mm	SCALE 4:1	CURRENT REV DESC: UPDATED PARTS STATUS	molex			
GENERAL TOLERANCES (UNLESS SPECIFIED)		EC NO: CO-000001228				
ANGULAR TOL ± 3°	4 PLACES ± 0	DRWN: MattYoung 21-Jul-2022	PRODUCT SALES DRAWING			
3 PLACES ± 0	2 PLACES ± 0.1	CHK'D: Joe Fox 01-Aug-2022	DOCUMENT NUMBER	DOC TYPE	DOC PART	REVISION
1 PLACE ± 0.3	0 PLACES ± 0	APPR: Katy Boruszewski 02-Aug-2022	SD-33481-041	PSD	001	W4
DRAFT WHERE APPLICABLE MUST REMAIN WITHIN DIMENSIONS	THIRD ANGLE PROJECTION	DRAWING	SERIES	MATERIAL NUMBER	CUSTOMER	SHEET NUMBER
		D-SIZE	33481		GENERAL MARKET	4 OF 5

ASSEMBLY PART NUMBER	COLOR	KEYING OPTION	CAVITY TYPE & STATUS (X = PLUGGED)				STATUS	COMMENTS
			1	2	3	4		
33481-0401	BLACK	A					OBSOLETE	
33481-0402	LT. GRAY	B					OBSOLETE	
33481-0403	BROWN	C					OBSOLETE	NOT RECOMMENDED, SEE P/N 33481-0424
33481-0404	GREEN	D					OBSOLETE	NOT RECOMMENDED, SEE P/N 33481-0425
33481-0405	BLACK	C					OBSOLETE	
33481-0406	BLACK	A				X	OBSOLETE	
33481-0407	LT. GRAY	B				X	OBSOLETE	
33481-0408	BROWN	C				X	OBSOLETE	
33481-0409	GREEN	D				X	OBSOLETE	
33481-0410	CUSTOM	TBD				X	OBSOLETE	
33481-0411	BLACK	A	X			X	OBSOLETE	
33481-0412	LT. GRAY	B	X			X	OBSOLETE	
33481-0413	BROWN	C	X			X	OBSOLETE	
33481-0414	GREEN	D	X			X	OBSOLETE	
33481-0415	CUSTOM	TBD	X			X	OBSOLETE	
33481-0416	BLACK	A	X	X	X	X	OBSOLETE	
33481-0417	LT. GRAY	B	X	X	X	X	OBSOLETE	
33481-0418	BROWN	C	X	X	X	X	OBSOLETE	NOT RECOMMENDED, SEE P/N 33481-0426
33481-0419	GREEN	D	X	X	X	X	OBSOLETE	NOT RECOMMENDED, SEE P/N 33481-0427
33481-0420	CUSTOM	TBD	X	X	X	X	OBSOLETE	
33481-0421	BLACK	A			X		OBSOLETE	
33481-0422	BLACK	A			X	X	OBSOLETE	
33481-0423	LT. GRAY	B	X	X			OBSOLETE	
33481-0424	DK. GRAY	C					OBSOLETE	
33481-0425	ST. GRAY	D					OBSOLETE	
33481-0426	DK. GRAY	C	X	X	X	X	OBSOLETE	
33481-0427	ST. GRAY	D	X	X	X	X	OBSOLETE	
33481-0428	YELLOW	A					OBSOLETE	
33481-0429	LT. GRAY	B		X	X		OBSOLETE	
33481-0430	BLACK	A	X		X		OBSOLETE	

ASSEMBLY PART NUMBER	COLOR	KEYING OPTION	CAVITY TYPE & STATUS (X = PLUGGED)				STATUS	COMMENTS
			1	2	3	4		
33481-4401	BLACK	A					SALEABLE	
33481-4402	LT. GRAY	B					SALEABLE	
33481-4403	BROWN	C					SALEABLE	NOT RECOMMENDED, SEE P/N 33481-4424
33481-4404	GREEN	D					SALEABLE	NOT RECOMMENDED, SEE P/N 33481-4425
33481-4405	BLACK	C					SALEABLE	
33481-4406	BLACK	A				X	SALEABLE	
33481-4407	LT. GRAY	B				X	SALEABLE	
33481-4408	BROWN	C				X	SALEABLE	NOT RECOMMENDED
33481-4409	GREEN	D				X	SALEABLE	NOT RECOMMENDED
33481-4410	CUSTOM	TBD				X	SALEABLE	
33481-4411	BLACK	A	X			X	SALEABLE	
33481-4412	LT. GRAY	B	X			X	SALEABLE	
33481-4413	BROWN	C	X			X	SALEABLE	NOT RECOMMENDED
33481-4414	GREEN	D	X			X	SALEABLE	NOT RECOMMENDED
33481-4415	CUSTOM	TBD	X			X	SALEABLE	
33481-4416	BLACK	A	X	X	X	X	SALEABLE	
33481-4417	LT. GRAY	B	X	X	X	X	SALEABLE	
33481-4418	BROWN	C	X	X	X	X	SALEABLE	NOT RECOMMENDED, SEE P/N 33481-4426
33481-4419	GREEN	D	X	X	X	X	SALEABLE	NOT RECOMMENDED, SEE P/N 33481-4427
33481-4420	CUSTOM	TBD	X	X	X	X	SALEABLE	
33481-4421	BLACK	A			X		SALEABLE	
33481-4422	BLACK	A			X	X	SALEABLE	
33481-4423	LT. GRAY	B	X	X			SALEABLE	
33481-4424	DK. GRAY	C					SALEABLE	
33481-4425	ST. GRAY	D					SALEABLE	
33481-4426	DK. GRAY	C	X	X	X	X	SALEABLE	
33481-4427	ST. GRAY	D	X	X	X	X	SALEABLE	
33481-4428	YELLOW	A					SALEABLE	
33481-4429	LT. GRAY	B		X	X		SALEABLE	
33481-4430	BLACK	A	X		X		SALEABLE	

THIS DRAWING CONTAINS INFORMATION THAT IS PROPRIETARY TO MOLEX ELECTRONIC TECHNOLOGIES, LLC AND SHOULD NOT BE USED WITHOUT WRITTEN PERMISSION									
DIMENSION UNITS		SCALE		CURRENT REV DESC: UPDATED PARTS				molex	
mm		1:1		STATUS					
GENERAL TOLERANCES (UNLESS SPECIFIED)				EC NO: CO-000001228				MX150 1X4 BLADE SEALED ASSEMBLY MAT SEAL	
ANGULAR TOL ± 3°				DRWN: MattYoung 21-Jul-2022					
4 PLACES ± 0				CHK'D: Joe Fox 01-Aug-2022				PRODUCT SALES DRAWING	
3 PLACES ± 0				APPR: Katy Boruszewski 02-Aug-2022					
2 PLACES ± 0.1				INITIAL REVISION:				DOCUMENT NUMBER	
1 PLACE ± 0.3				DRWN: RFC_PLMIMP					
0 PLACES ± 0				APPR:				SD-33481-041	
DRAFT WHERE APPLICABLE MUST REMAIN WITHIN DIMENSIONS				THIRD ANGLE PROJECTION		DRAWING			
				D-SIZE		33481		GENERAL MARKET	
PSD		001		W4		SHEET NUMBER		5 OF 5	