

**NOTES :**

- 1- MATERIAL:**  
 -HOUSING: POLYESTER FIBER GLASS FILLED UL 94-V0, COLOR BLACK.  
 -TERMINAL: PHOSPHOR BRONZE .  
**PLATING 2:**  
 POST PLATE (0.00127)/.000050 MIN GOLD IN CONTACT AREA  
 (0.00190)/.000075 MIN PURE TIN IN TAIL AREA  
 BOTH OVER (0.00127)/.000050 MIN NICKEL OVERALL.  
**PLATING 7.**  
 POST PLATE (0.00005)/.000002 MIN GOLD OVER (0.00076)/.000030 MIN  
 PALLADIUM NICKEL IN CONTACT AREA (0.00190)/.000075 MIN  
 PURE TIN IN TAIL AREA BOTH OVER (0.00127)/.000050 MIN NICKEL OVERALL (4 CKTS VERSION)

- 2- JACK FOR MATING WITH F.C.C. 68 PLUGS 90075 MOLEX SERIES.  
 3- PRODUCT SPECIFICATION PS-9500I.  
 4- APPLICATION SPECIFICATION AS-9500I.  
 5- PACKAGING SPECIFICATION PK-9500I; STANDARD PACKAGING SHEET 1.  
 SPECIAL PACKAGING SHEET 2. TUBE PACKAGING SHEET 3.

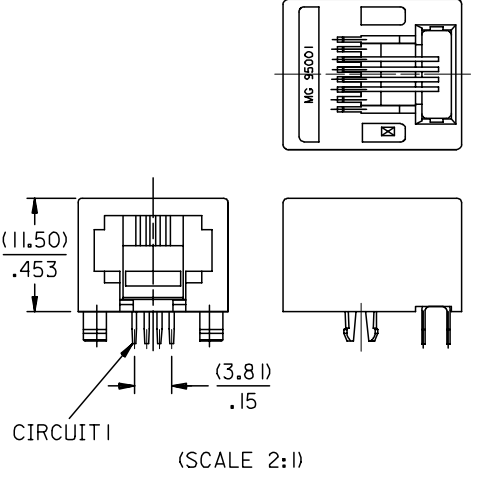
EC NO: MG2005-0106 DRWN: MARTIN 2004/10/12 CHKD: FCARABET 2004/10/12 APPR: KNOLLER 2004/10/13	QUALITY SYMBOLS ▽=0 ▽=0	GENERAL TOLERANCES (UNLESS SPECIFIED)		DIMENSION STYLE MM/IN		SCALE 4:1	DESIGN UNITS METRIC	THIRD ANGLE PROJECTION			
		4 PLACES ± --- ± ---	3 PLACES ± --- ± .006	DRAWN BY FB	DATE 1993/02/24	TITLE R/A LOW PROFILE PC JACK 4,6,8 CKTS SIZE THROUGH HOLE VERSION					
		2 PLACES ± 0.15 ± .010	1 PLACE ± 0.25 ± ---	CHECKED BY ER	DATE 1993/02/24	MOLEX MOLEX INCORPORATED					
		ANGULAR ± ---°		APPROVED BY JB	DATE 1993/02/24	MATERIAL NO. SEE CHART SHEETS 4.5688	DOCUMENT NO. SDA-9500I	SHEET NO. 1 OF 9			
DRAFT WHERE APPLICABLE MUST REMAIN WITHIN DIMENSIONS		THIS DRAWING CONTAINS INFORMATION THAT IS PROPRIETARY TO MOLEX INCORPORATED AND SHOULD NOT BE USED WITHOUT WRITTEN PERMISSION									

10 9 8 7 6 5 4 3 2 1

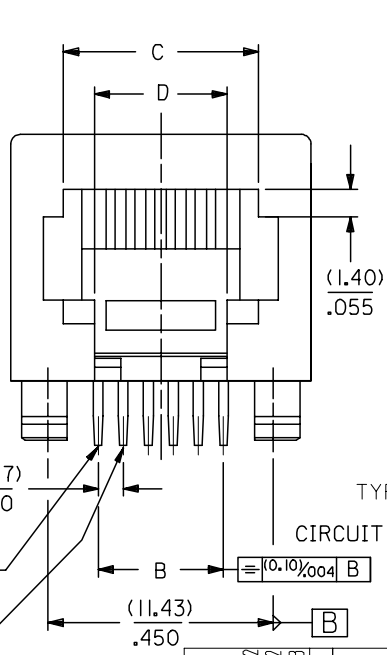
PART NUMBER	WITH "LIP"	PLUG CAVITY	LOADED CKTS	B	C	D
95001-2147	NO	6	4	(3.81) .150	(9.88) .389	(6.70) .254
95001-2141	YES					
95001-2161	YES	6	6	(6.35) .250	(9.88) .389	(6.70) .254
95001-2181	YES	8	8	(8.89) .350	(11.94) .470	(6.30) .240

**6/4 VERSION  
WITHOUT "LIP"  
(95001-2147)**

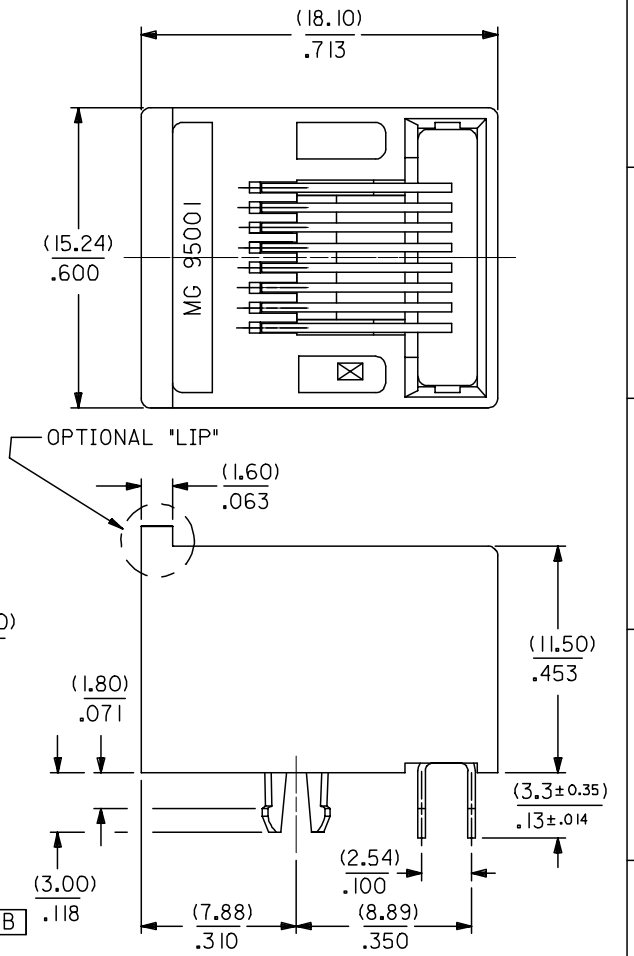
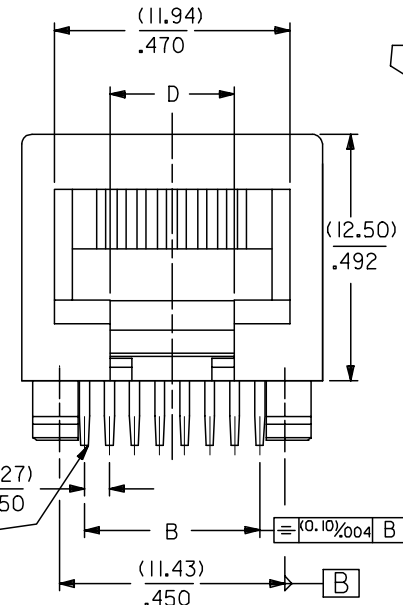
ALL OTHER DIMENSIONS  
IDENTICAL TO VERSION  
WITH "LIP".



**6/4 & 6/6 VERSION  
WITH "LIP"**



**8/8 VERSION**



**NOTES:**  
SEE NOTES SHEET 1

EC NO: MG2005-0106 DRAWN: MARTIN 2004/10/12 CHKD: FCARABET 2004/10/12 APPR: KNOLLER 2004/10/13	QUALITY SYMBOLS	GENERAL TOLERANCES (UNLESS SPECIFIED) 4 PLACES ± --- ± --- 3 PLACES ± --- ± .006 2 PLACES ± 0.15 ± .010 1 PLACE ± 0.25 ± --- ANGULAR ± ---°	DIMENSION STYLE	SCALE	DESIGN UNITS	THIRD ANGLE PROJECTION
			MM/IN	4:1	METRIC	
			DRAWN BY	DATE	TITLE	
			FB	1993/02/25	R/A LOW PROFILE PC JACK	
			CHECKED BY	DATE	8 CKT. SIZE 8&6 CKT	
			TB	1993/02/25	PLUG CAVITY AND 8,6&4	
			APPROVED BY	DATE		
			MATERIAL NO.	DOCUMENT NO.		
				SDA-95001		
			DRAFT WHERE APPLICABLE SEE CHART			
			MUST REMAIN WITHIN DIMENSIONS			
			THIS DRAWING CONTAINS INFORMATION THAT IS PROPRIETARY TO MOLEX INCORPORATED AND SHOULD NOT BE USED WITHOUT WRITTEN PERMISSION			
						SHEET NO. 7 OF 9

9 8 7 6 5 4 3 2 1